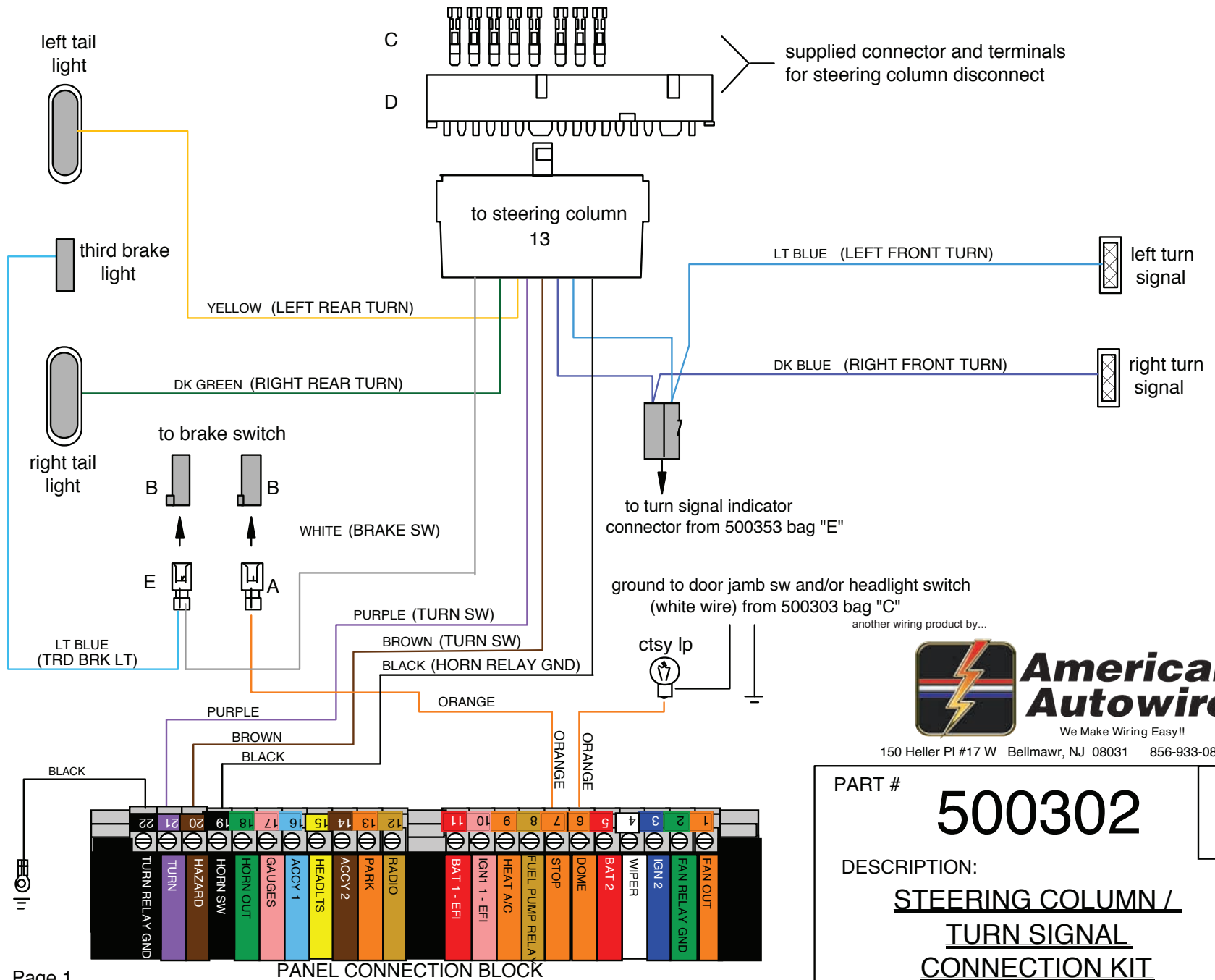


USE THIS SHEET FOR
HIGHWAY 22 WIRING KIT



150 Heller Pl #17 W Bellmawr, NJ 08031 856-933-0801

PART #

500302

D

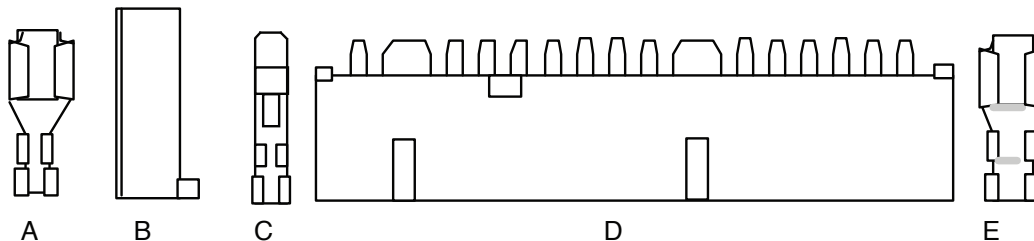
DESCRIPTION:

**STEERING COLUMN /
TURN SIGNAL
CONNECTION KIT**

INSTALLATION INSTRUCTIONS:

This kit has a GM steering column connector supplied on the wires. This connector will plug into most GM columns for 1969-1974 (along with most aftermarket columns) If your existing column connector does not match the connector on this kit, install the mating connector "D" and terminals "C" which are supplied, as shown on page 1. Install the remaining wires as follows:

| <u>WIRE COLOR</u> | <u>CIRCUIT</u> | <u>INSTALLATION</u> |
|----------------------|-----------------------|--|
| YELLOW | LEFT TAIL LAMP | Route and connect this wire to your left tail light (stop, and turn location) |
| DK GREEN | RIGHT TAIL LAMP | Route and connect this wire to your right tail light (stop, and turn location) |
| LT BLUE | LEFT FRONT TURN | Route and connect this wire to the left front turn signal lamp (turn location) |
| DK BLUE | RIGHT FRONT TURN | Route and connect this wire to the right front turn signal lamp (turn location) |
| ORANGE | BRAKE SWITCH FEED IN | Install the single female terminal "A" and connector "B". Plug this wire into your brake switch. Route the other end of this wire to the panel, cut to length, and insert it into the "STOP" location on the panel. |
| ORANGE | 12V BATTERY | Connect one end to the panel "DOME" location, route the other end to feed the dome/ctsy lamps. The ground side of the csty/dome lamp circuit is connected to the white wire from the headlight switch, and the door jamb switch. |
| WHITE | BRAKE SWITCH FEED OUT | Route this wire to the brake switch and cut to length, if you are using a third brake light, do not terminate yet (see LT BLUE wire below). If you are not using a third brake light, use the supplied terminal "A" and connector "B", and plug into your brake switch. |
| LT BLUE | THIRD BRAKE LIGHT | If you are not using a third brake light, ignore the installation of this wire. Otherwise, connect this wire to the WHITE "Brake switch feed out" wire above using the supplied terminal "E" and connector "B" and plug into the brake switch. Route the other end of LT BLUE wire to the third brake light. |
| BLACK | HORN RELAY GROUND | Route this wire to the panel and insert it into the "HORN SW" location on panel. |
| PURPLE | TURN SIGNAL FLASHER | Route this wire to the panel and insert it into the "TURN SW" location on panel. |
| BROWN | HAZARD FLASHER | Route this wire to the panel and insert it into the "HAZARD" location on panel. |
| LT BLUE / DK BLUE | TURN SIGNAL INDICATOR | Plug this wire into the 2 position connector in the 500353 kit. |
| BLACK | TURN RELAY GROUND | Route this wire to the panel and insert it into the "TURN RELAY GND" location on panel. Connect the other end to a good chassis ground. |

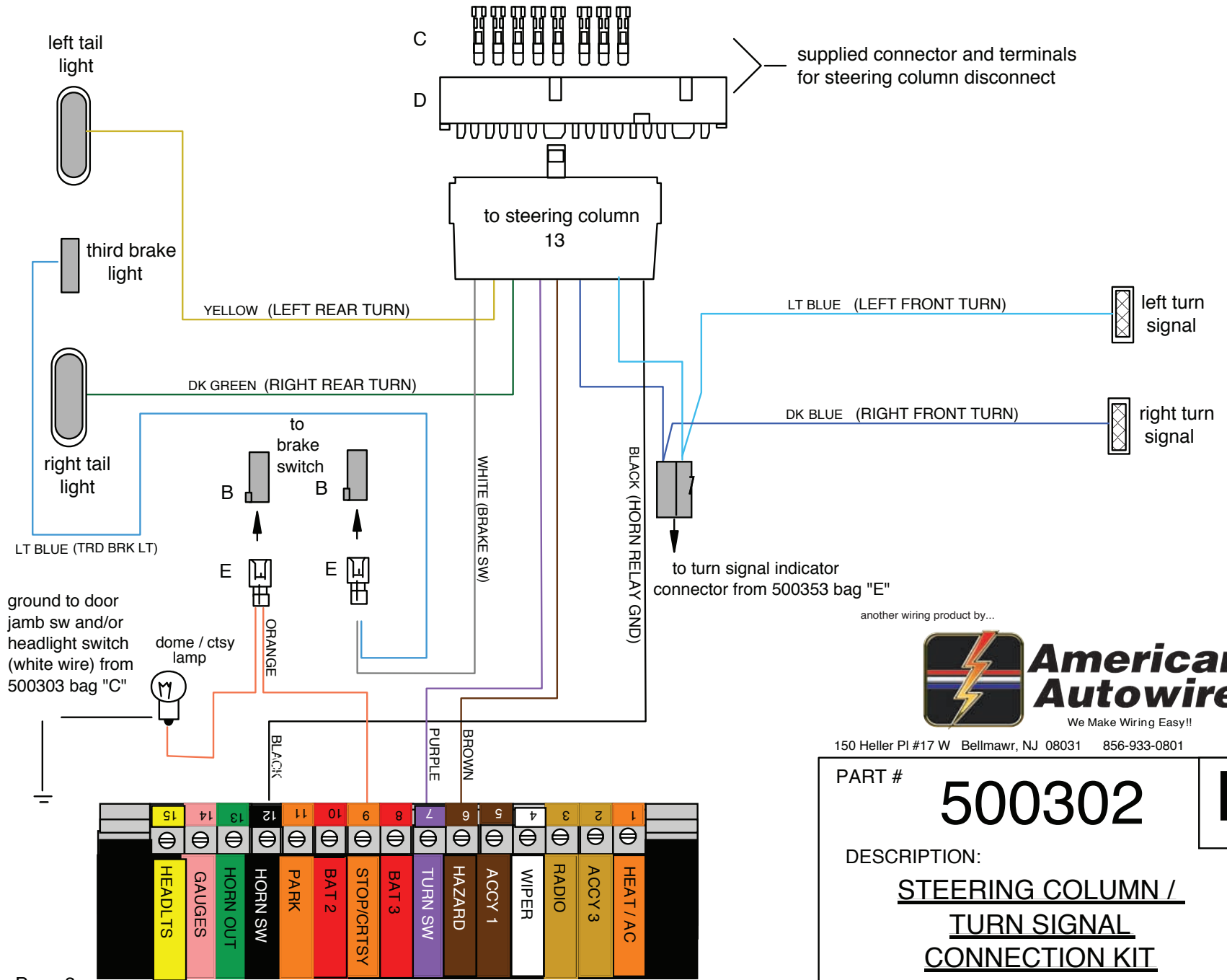


500302

STEERING COLUMN / TURN SIGNAL
CONNECTION KIT

92964489 instruction sheet Rev 13.1 3/12/2012

USE THIS SHEET FOR
HIGHWAY 15 WIRING KIT



another wiring product by...



**American
 Autowire**

We Make Wiring Easy!!

150 Heller Pl #17 W Bellmawr, NJ 08031 856-933-0801

PART #

500302

D

DESCRIPTION:

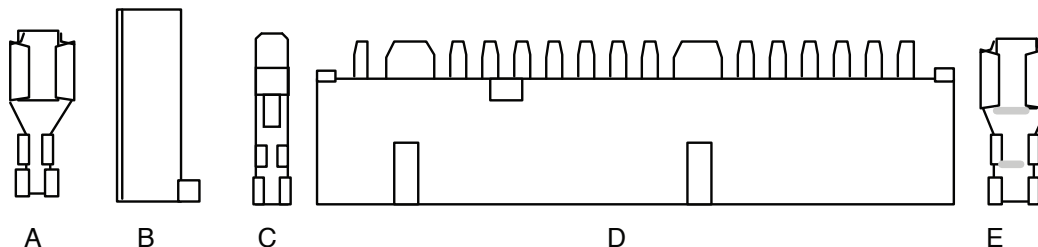
STEERING COLUMN /
TURN SIGNAL
CONNECTION KIT

INSTALLATION INSTRUCTIONS:

This kit has a GM steering column connector supplied on the wires. This connector will plug into most GM columns for 1969-1974 (along with most aftermarket columns) If your existing column connector does not match the connector on this kit, install the mating connector "D" and terminals "C" which are supplied, as shown on page 3.

Install the remaining wires as follows:

| <u>WIRE COLOR</u> | <u>CIRCUIT</u> | <u>INSTALLATION</u> |
|----------------------|-----------------------|--|
| YELLOW | LEFT TAIL LAMP | Route and connect this wire to your left tail light (stop, and turn location) |
| DK GREEN | RIGHT TAIL LAMP | Route and connect this wire to your right tail light (stop, and turn location) |
| LT BLUE | LEFT FRONT TURN | Route and connect this wire to the left front turn signal lamp (turn location) |
| DK BLUE | RIGHT FRONT TURN | Route and connect this wire to the right front turn signal lamp (turn location) |
| ORANGE | BRAKE SWITCH FEED IN | Insert one end into the "STOP / CRTSY" location on the panel, route the wire to the brake switch and cut to length. With the cut off portion of this orange wire, double the two ends together using terminal "E" install in connector "B" and plug into the brake switch. The remaining loose end will route to the dome/courtesy lamp as shown on sheet 1. |
| WHITE | BRAKE SWITCH FEED OUT | Route this wire to the brake switch and cut to length, if you are using a third brake light, do not terminate yet (see LT BLUE wire below). If you are not using a third brake light, use the supplied terminal "A" and connector "B", and plug into your brake switch. |
| LT BLUE | THIRD BRAKE LIGHT | If you are not using a third brake light, ignore the installation of this wire. Otherwise, connect this wire to the WHITE "Brake switch feed out" wire above using the supplied terminal "E" and connector "B" and plug into the brake switch. Route the other end of LT BLUE wire to the third brake light. |
| BLACK | HORN RELAY GROUND | Route this wire to the panel and insert it into the "HORN SW" location on panel. |
| PURPLE | TURN SIGNAL FLASHER | Route this wire to the panel and insert it into the "TURN SW" location on panel. |
| BROWN | HAZARD FLASHER | Route this wire to the panel and insert it into the "HAZARD" location on panel. |
| LT BLUE / DK BLUE | TURN SIGNAL INDICATOR | Plug this wire into the 2 position connector in the 500353 kit. |
| BLACK | TURN RELAY GROUND | This wire is not used in this application. The grounding of the "Turn Signal Relay" is accomplished in the 500718 "ignition Switch & Starter Wiring" kit. |



500302

STEERING COLUMN / TURN SIGNAL
CONNECTION KIT

92964489 instruction sheet Rev 13.1 3/12/2012