

American Autowire Systems

American Autowire makes it easy

FACTORY
automotive
wiring **FIT**

150 Heller Pl #17 W
Bellmawr, NJ 08031
856-933-0801

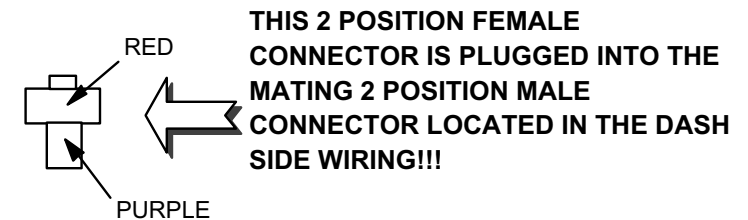
PART #: **500228**

M

DESC: **POWER PLUS™**
SYSTEM STARTER WIRING

© 1995 AAW
Instruction sheet 92964506

Rev 5.0 5/16/99



We recommend connecting the starter harness to the starter, then route your wires in the engine compartment, then into the dash area. By laying out the wiring in this manner, you will be able to select the best points to make your cuts for the individual component connections. Completion of the starter harness wiring proceed as follows:

1. The BROWN wire will be connected to the "BAT" terminal on your starter solenoid. The "BAT" terminal is the same terminal that the positive battery cable is connected to.
2. The PURPLE wire is connected to the "S" terminal on the starter solenoid.
3. The YELLOW wire is used only with a "points type" ignition system. It is connected to the "R" terminal on the starter solenoid. If you are using a GM H.E.I. distributor you will NOT use this wire.
4. After cutting RED wire to length, use one female terminal and crimp it onto the RED wire. Plug this wire into supplied CONNECTOR, at location shown above.
5. After trimming the PURPLE wire to length, use one female terminal and crimp it onto the PURPLE wire. Plug this wire into supplied CONNECTOR, at location shown above.

American Autowire Systems

American Autowire makes it easy

FACTORY
automotive
wiring **FIT**

150 Heller Pl #17 W
Bellmawr, NJ 08031

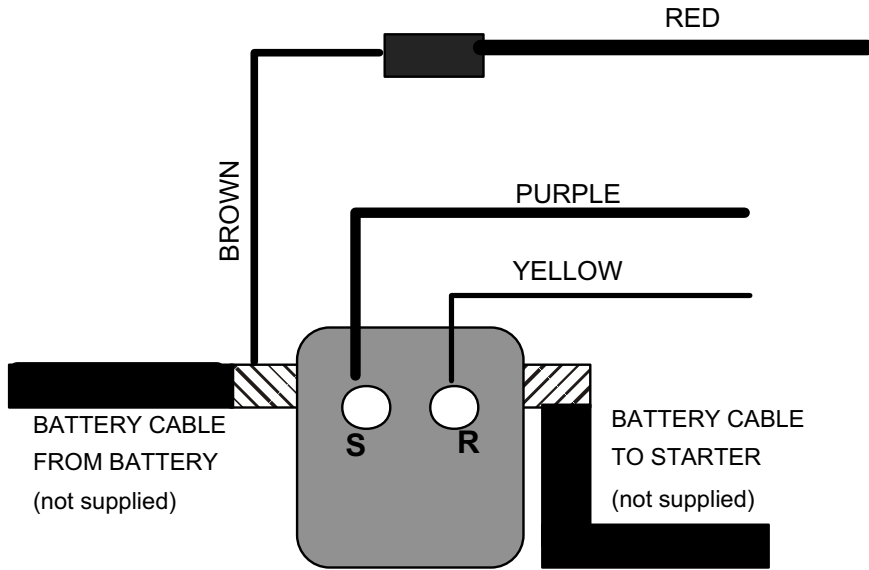
856-933-9301

PART #: 500228

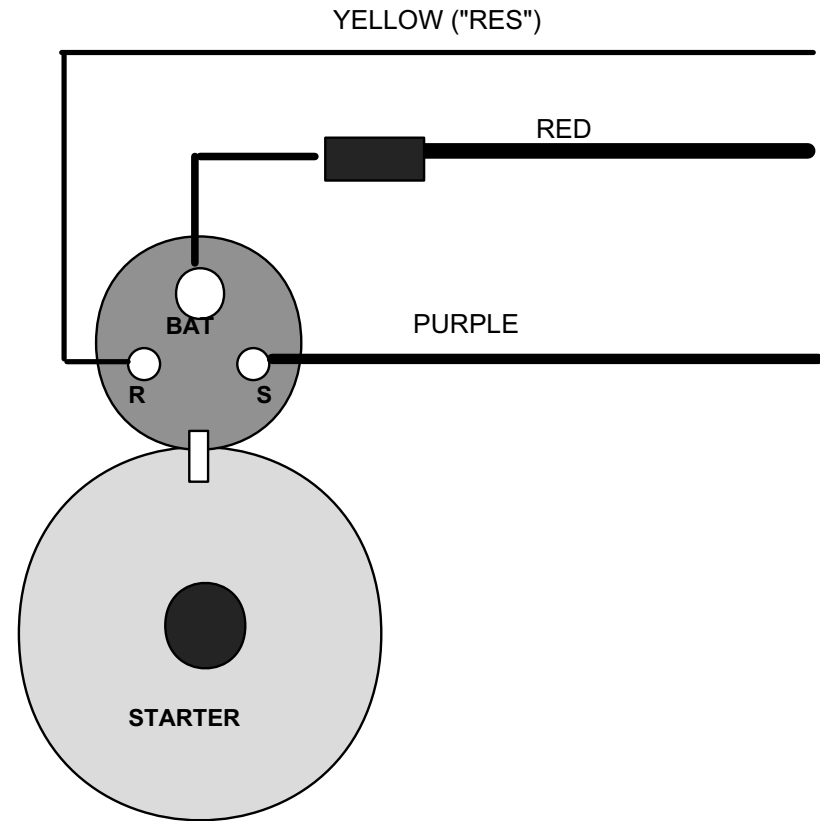
© 1995 AAW

Rev 5.0 12/20/99

Instruction Sheet 92964506



FORD SMALL BLOCK STARTER SOLENOID

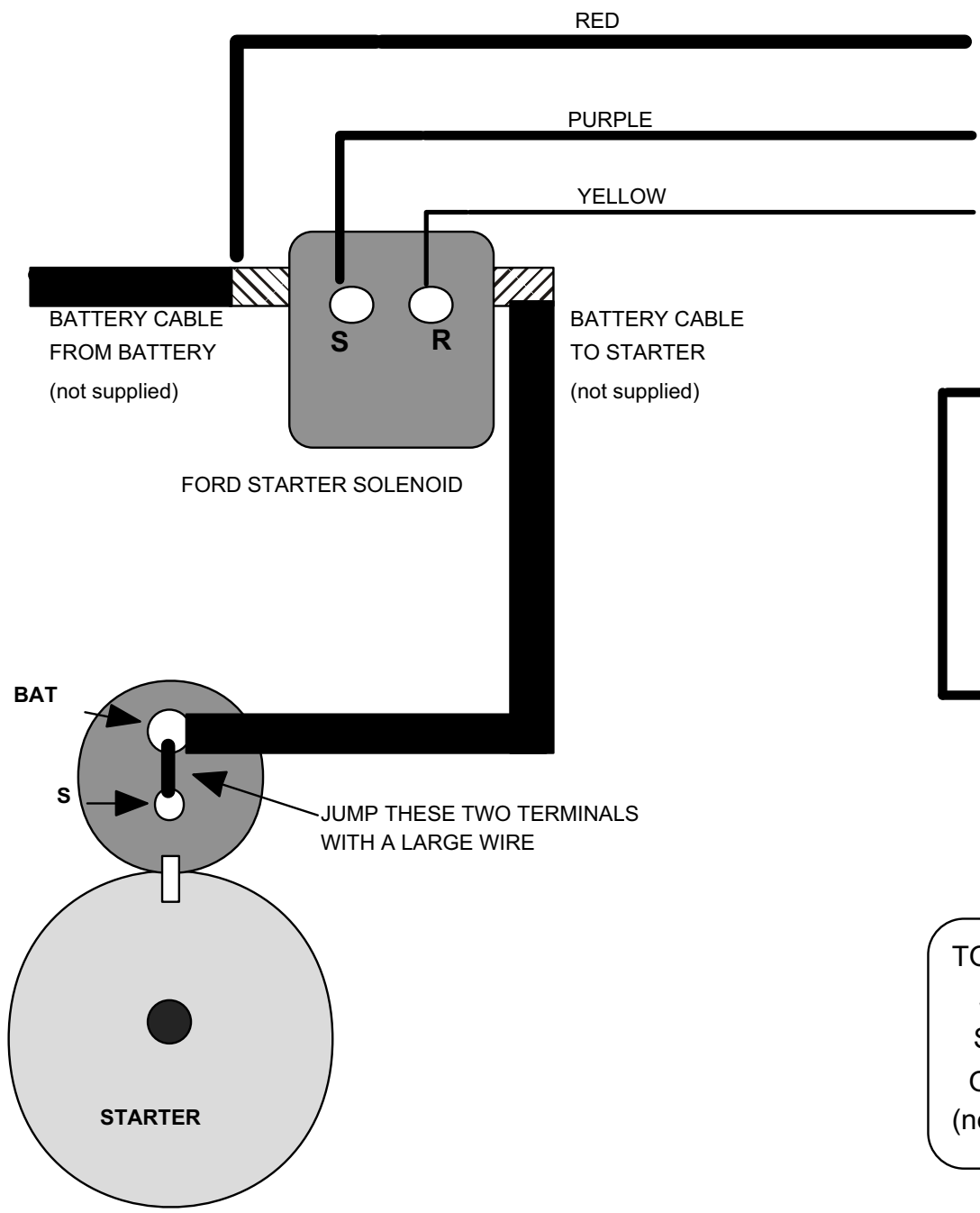


FORD BIG BLOCK STARTER

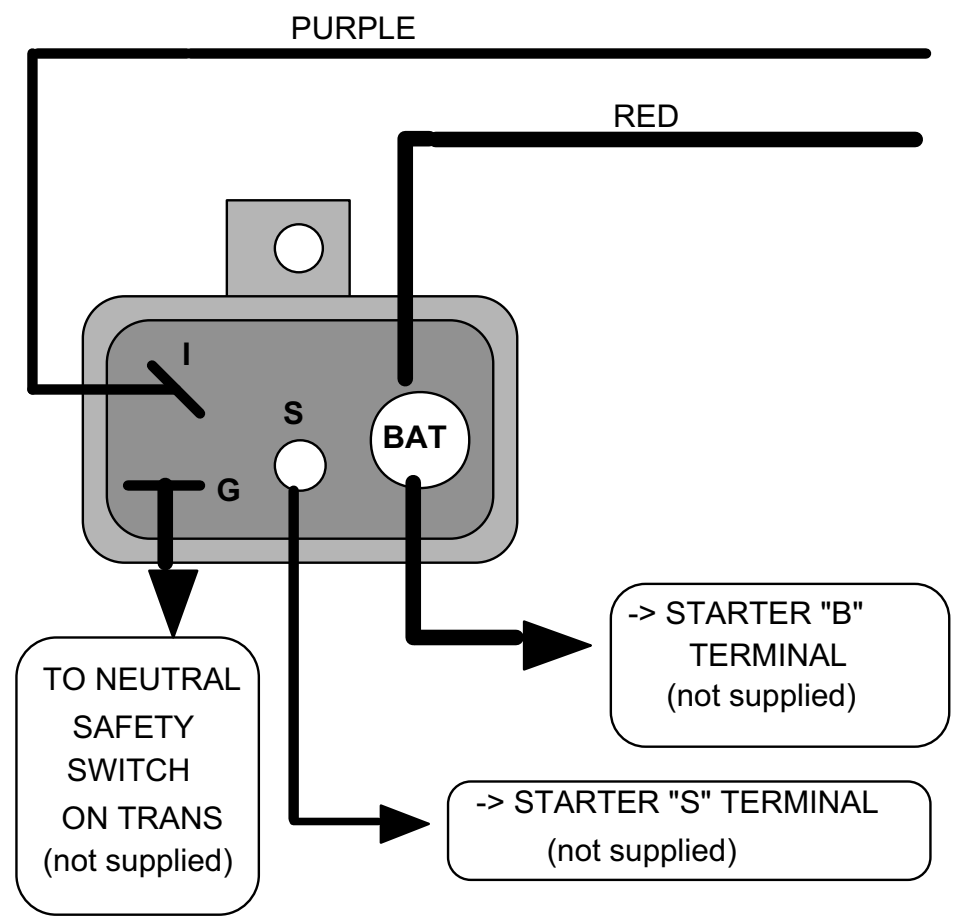
(LOOKING AT STARTER FROM FRONT OF CAR)

PART #: 500228

© 1995 AAW Rev 5.0 12/20/99
Instruction Sheet 92964506



MOPAR STARTER RELAY



BATTERY CABLE IS CONNECTED TO THE STARTER !!!