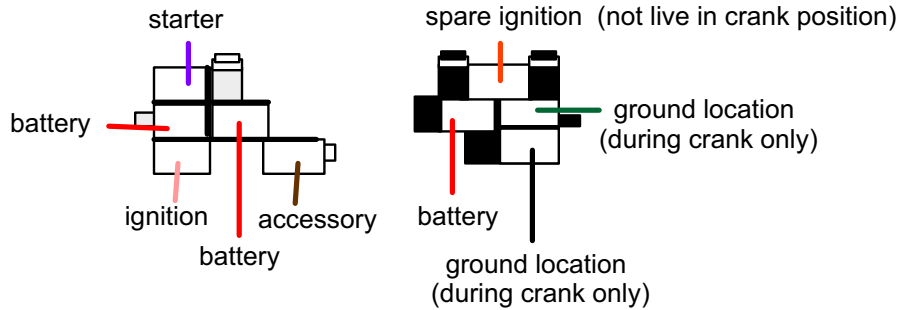


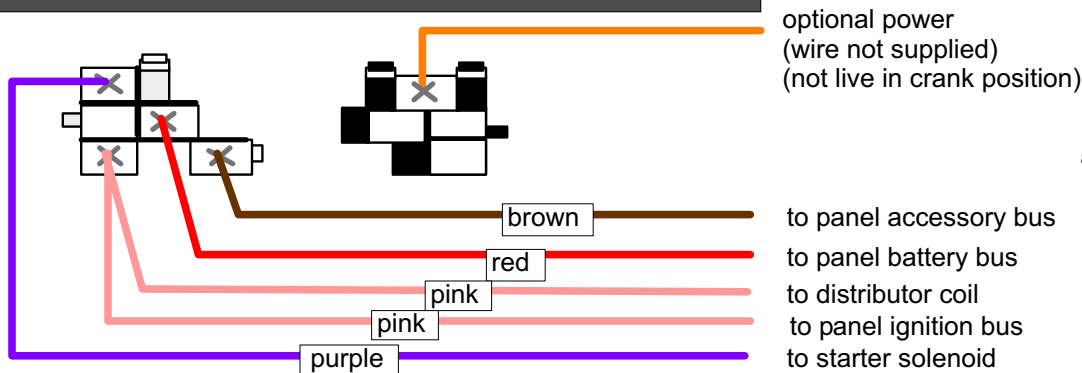
# GENERAL PURPOSE FUNCTIONS



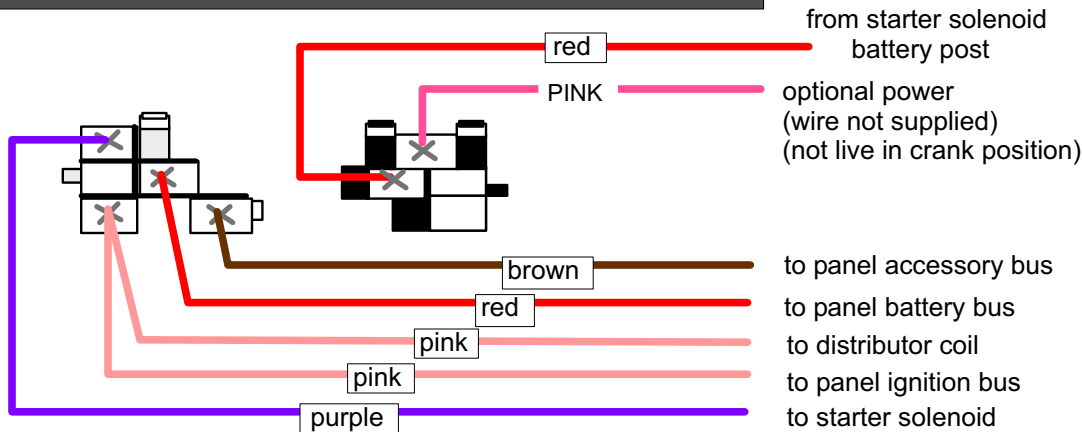
## NOTE:

1. All connector cavities in the black and white connectors use a 56 series .25 female terminal with the exception of the "spare ignition cavity" which requires the wider 59 series .31 female terminal included in the bag.
2. After installing the proper wires into the ignition switch connectors, the white connector should be plugged into the ignition switch first, then the black connector. The black connector must be plugged into switch, as this will lock the white connector to switch.

## connection to the Highway 22 wiring system Power Plus 16 wiring system



## connection to the Highway 15 wiring system Comp- 9 wiring system



another wiring product by...



# American Autowire

We Make Wiring Easy!!

150 Heller Pl #17 W Bellmawr, NJ 08031 856-933-0801

PART #

# 500257

DESCRIPTION:

**IGNITION SWITCH CONNECTION KIT  
GM COLUMN MOUNT**

92964516 instruction sheet Rev 8.0 9/15/2004