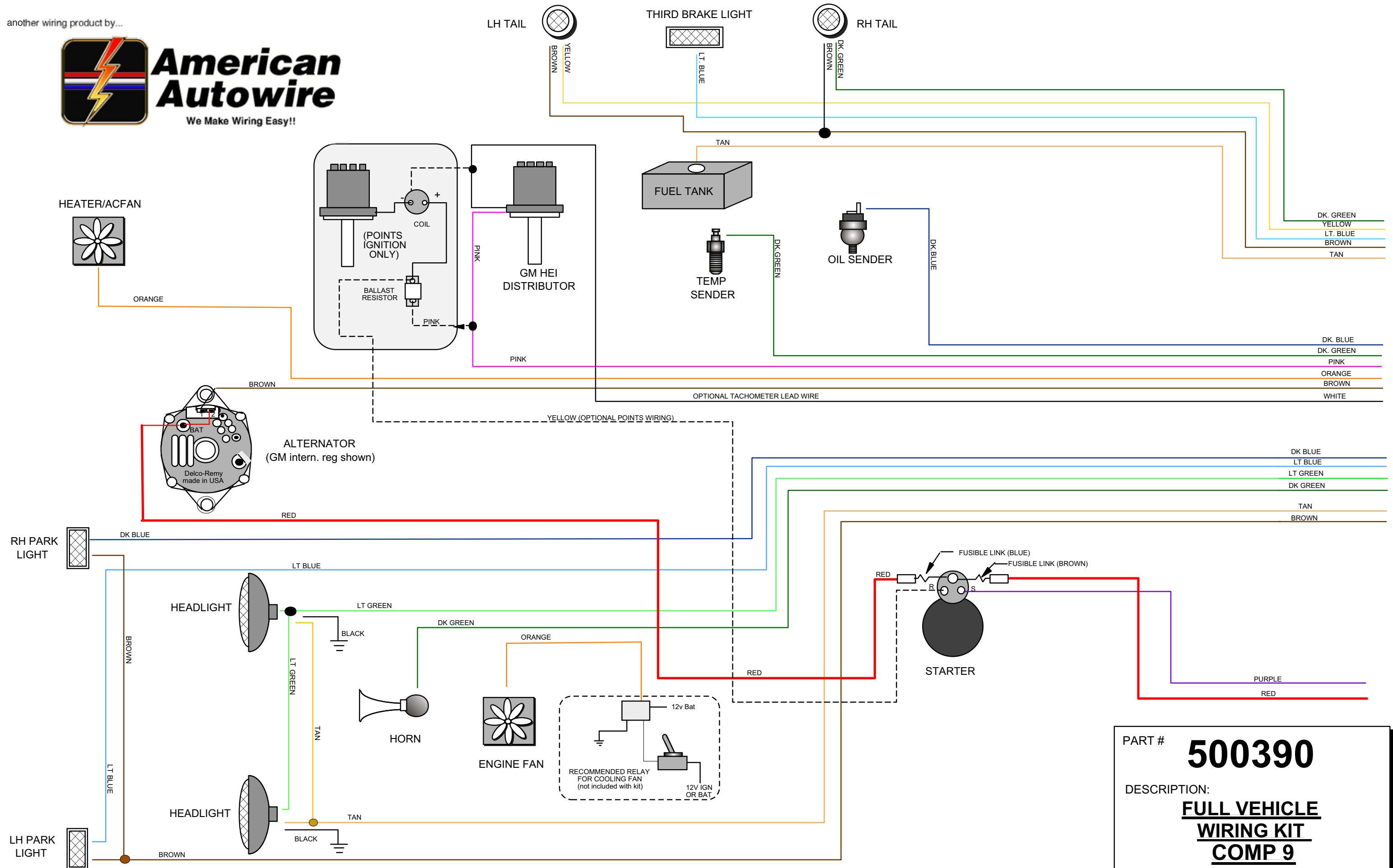


another wiring product by...



American Autowire

We Make Wiring Easy!!



PART # **500390**

DESCRIPTION:
FULL VEHICLE WIRING KIT
COMP 9

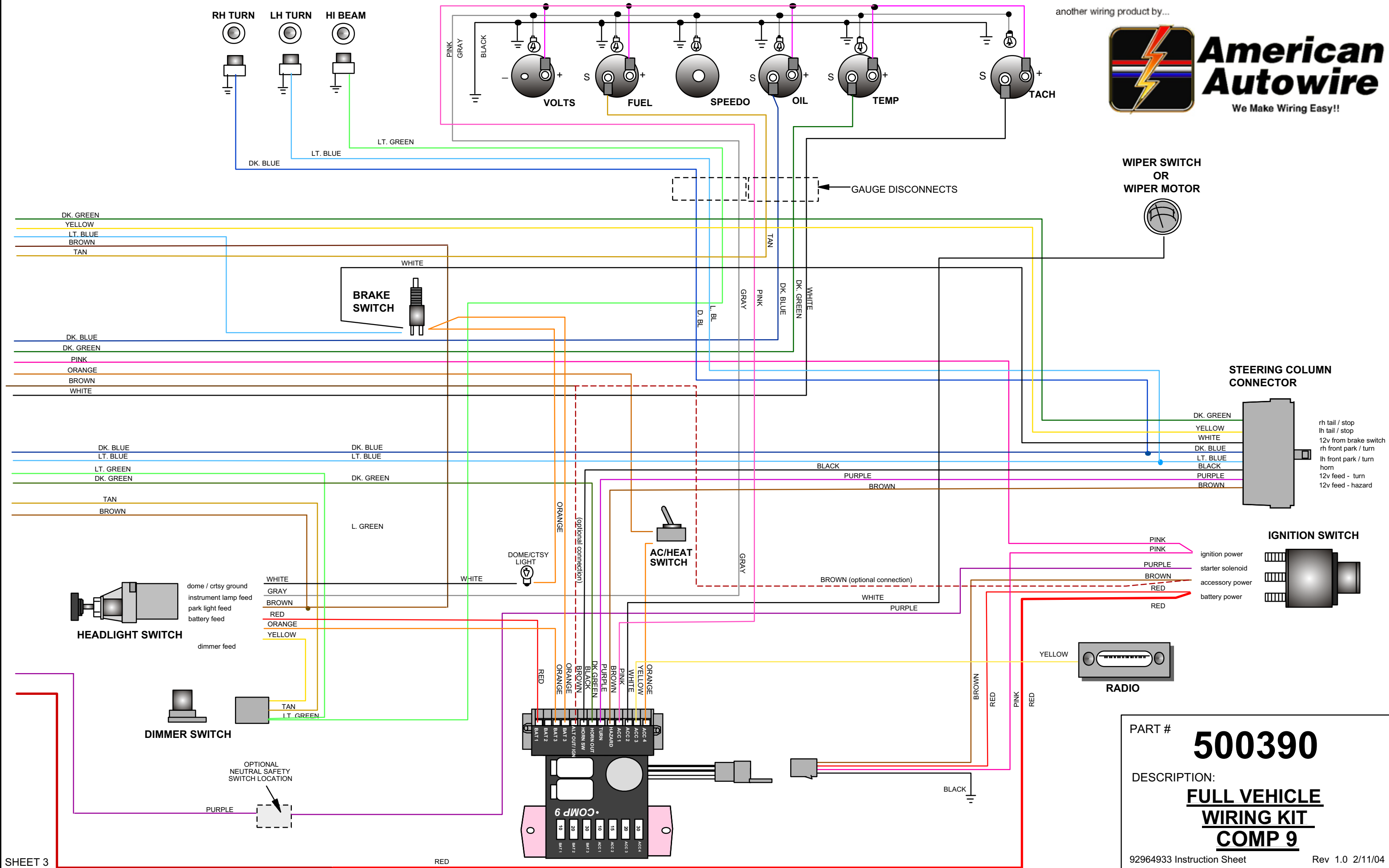
92964933 Instruction Sheet Rev 1.0 2/11/04

another wiring product by...



American Autowire

We Make Wiring Easy!!



PART # **500390**

DESCRIPTION: **FULL VEHICLE WIRING KIT COMP 9**

92964933 Instruction Sheet Rev 1.0 2/11/04

100% MADE IN U.S.A.!

another wiring product by...



**American
Autowire**

We Make Wiring Easy!!

INSTALLATION INSTRUCTIONS

This wiring kit is designed for ease of installation. Please read the guidelines below, BEFORE STARTING your installation, to guarantee a successful job!

STEP 1: DISCONNECT YOUR BATTERY:

Disconnect the battery before installing the wiring kit to prevent any accidental shorting caused by loose bare wire ends.

STEP 2: MOUNT YOUR PANEL:

It is recommended that you mount your panel under the dash, in the kick panel, or under the front seat.

STEP 3: START INSTALLING KIT:

This kit is broken down into individual steps that are identified by a letter printed on the instruction sheets visible through each bag. These letters are the order of operation for installing your kit. Start with the bag letter "A", then "B", etc. The order of installation is shown below.

- | | | |
|---|--------|--|
| A | 500404 | Ignition Switch and Starter Wiring Kit |
| B | 500305 | Alternator Connection Kit |
| C | 500303 | Headlight / Accessory Switch Kit |
| D | 500302 | Steering Column / Turn Signal Connection Kit |
| E | 500353 | Gauge Connection Kit (Sending Unit Side) |

STEP 4: RECONNECT YOUR BATTERY:

When you have completed the installation and are ready to reconnect the battery, make sure that the following electrical system grounds are in place:

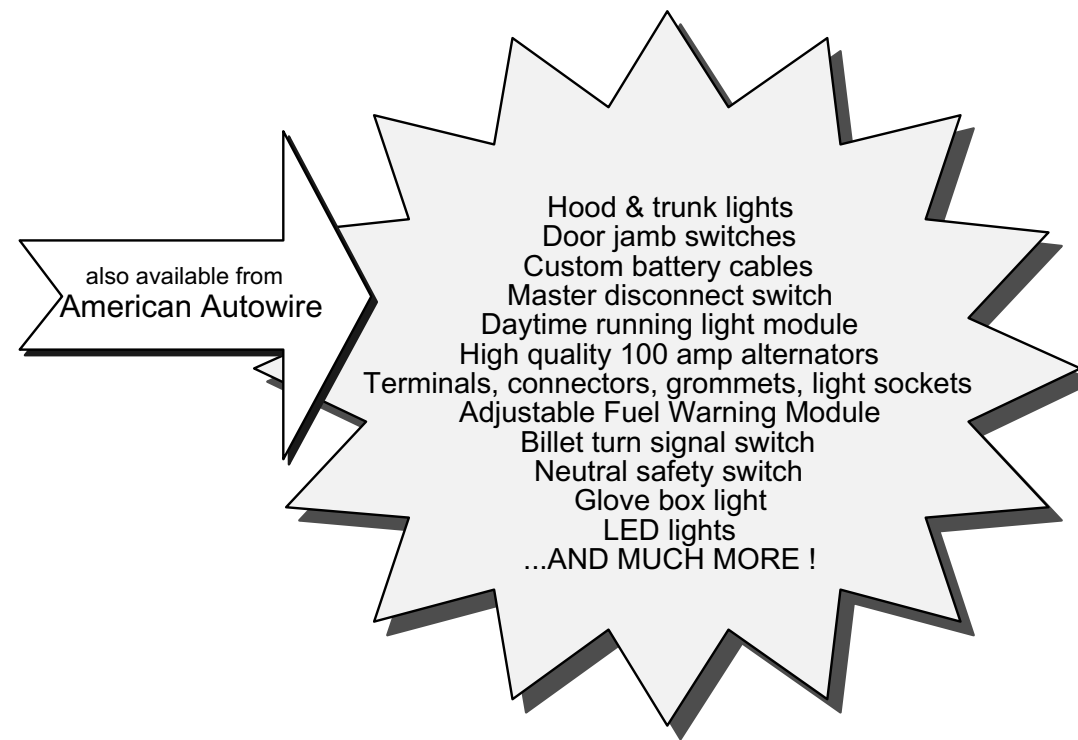
- A. Battery is grounded to the ENGINE BLOCK.
- B. Battery is grounded to the frame.
- C. Engine block is grounded to the frame.
- D. Body is grounded to the frame.

STEP 5: CHECK ALL ELECTRICAL FUNCTIONS:

Any non-functioning items should be checked for proper installation. Any problems with your wiring and electrical circuit functions should be addressed to American Autowire Systems, Inc. as soon as possible to avoid any warranty problems.

If you have any questions concerning this or any of our products, please feel free to call us at 1-800-482-WIRE.

"AMERICAN AUTOWIRE MAKES IT EASY !!"



OPTIONAL ACCESSORY KITS

- | | | |
|--------------------------------------|------------|---|
| Adjustable Fuel Warning Module | p/n 500274 | Sets a warning light or activates a relay at preset fuel level. |
| Anti-Theft Relay Kit | p/n 500239 | Relay control of starter circuit. |
| Brake Light switch Kit | p/n 500111 | Relay control of brake lights using hydraulic brake switches. |
| Brake Switch | p/n 500097 | Button type, 2 blade contact to operate brake lights |
| Brake Switch | p/n 500145 | Button type, 4 blade contact to operate brake lights and cruise control |
| Brake Switch | p/n 500098 | Lever type, water resistant |
| Brake Switch | p/n 500240 | Adjustable lever design, water resistant |
| Courtesy Light Kit | p/n 500081 | Under dash lighting harness complete with mountable lamp sockets |
| Dual Relay Kit | p/n 500338 | Use for any two heavy circuits, complete with mounting legs. |
| Fan Relay Kit (non Temp controlled) | p/n 500067 | Complete Kit wired with relay and fuse. |
| Fan Relay Kit (Temp controlled 212) | p/n 500084 | Complete Kit wired with relay, fuse, and temperature sender. |
| Fan Relay Kit (Temp controlled 238) | p/n 500141 | Complete Kit wired with relay, fuse, and temperature sender. |
| Headlight Connection Kit | p/n 500113 | Special kit for difficult headlight mount applications. |
| Neutral Safety switch (GM) | p/n 500104 | GM TH400, TH350, 700R4. |
| Neutral Safety switch (Ford) | p/n 500140 | Ford C-4 |
| | p/n 500139 | Ford C-6. |
| Universal Relay Kit | p/n 500142 | Use for any heavy duty application requiring a relay. |
| Voltage Reducer Module | p/n 500580 | Allows the use of 6 volt gauges when converting to 12 volts. |
| Wiper Switch | p/n 500146 | Two speed switch for wiper. |

PART # **500390**

DESCRIPTION:
**FULL VEHICLE
WIRING KIT
COMP 9**

92964933 Instruction Sheet Rev 1.0 2/11/04