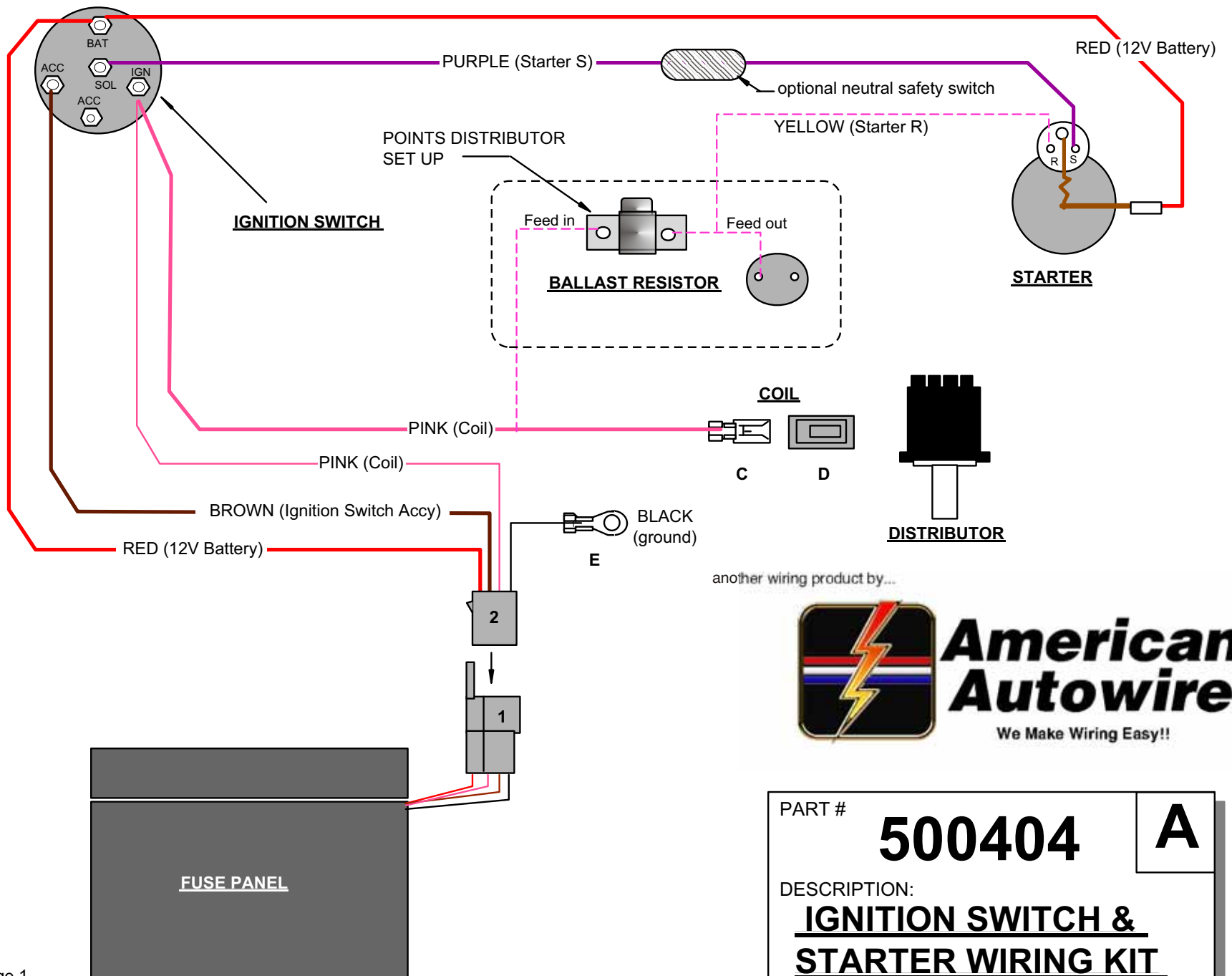


USE THIS SHEET FOR
COMP 9 WIRING KIT



another wiring product by...



**American
Autowire**

We Make Wiring Easy!!

PART #

500404

A

DESCRIPTION:

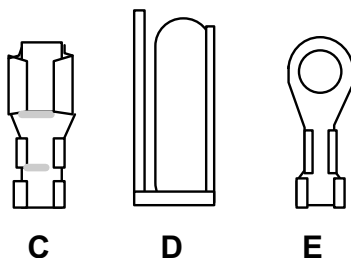
**IGNITION SWITCH &
STARTER WIRING KIT**

92964970 instruction sheet

Rev 4.0 1/14/2004

USE THIS SHEET FOR
COMP 9 WIRING KIT

<u>WIRE COLOR</u>	<u>CIRCUIT</u>	<u>INSTALLATION</u>
BROWN / RED	IGNITION SWITCH	Plug connector #2 into connector #1 at panel. Route RED, BROWN wires to the ignition switch. Using the supplied terminals in the ignition switch bag 500006, connect the RED wire to the ignition switch "BAT" terminal, and the BROWN wire to the ignition switch "ACC" terminal, as shown on sheet 1. For GM steering column ignition switch, use bag 500257, and follow the instructions in that bag.
PURPLE neutral	STARTER SOLENOID	Connect the ring terminal end of this wire to the starter solenoid "SOL" terminal. Route the other end of this wire to your ignition switch "SOL" terminal and connect using the supplied sleeve and terminal in the ignition switch bag 500006, as shown on sheet 1. If you wish to use a safety switch, it should be installed "IN LINE" with this wire as shown in the circuit diagram. For GM steering column ignition switch, use bag 500257, and follow the instructions in that bag.
RED	MAIN BATTERY	Connect the brown fuse link wire (already attached to the red power wire) to the BAT stud on your starter solenoid. Route the other end of the red wire to the ignition switch and cut it to length. Using the supplied sleeve and terminal in the ignition switch bag 500006 connect to the ignition switch "BAT" terminal as shown on sheet 1. For GM steering column ignition switch, use bag 500257, and follow the instructions in that bag.
PINK	COIL FEED	<u>On a GM HEI distributors:</u> Install the female terminal C and gray plastic connector D and plug into the HEI distributor. This connector is indexed and will only plug into the ignition input terminal in the distributor cap. Route the other end of the pink wire to the "IGN" location on the ignition switch and connect using the supplied boot and terminal in the ignition switch bag 500006. For GM steering column ignition switch, use bag 500257, and follow the instructions in that bag. <u>On an ignition system requiring a 12 volt power source:</u> Route one end of this wire to the ignition input feed of the ignition system that you are using. Route the other end of the pink wire to the "IGN" location on the ignition switch and connect using the supplied boot and terminal in the ignition switch bag 500006. For GM steering column ignition switch, use bag 500257, and follow the instructions in that bag. <u>On an ignition system requiring a ballast resistor:</u> Connect one end of this wire to the "feed in" side of the ballast resistor. Route the other end of the pink wire to the "IGN" location on the ignition switch and connect using the supplied boot and terminal in the ignition switch bag 500006. Use remaining cut from "feed in" to go from "feed out" to your coil. For GM steering column ignition switch, use bag 500257, and follow the instructions in that bag.
YELLOW	12V to RESISTOR	This wire is for the starting circuit on a points ignition system requiring a ballast resistor. Connect the end of the wire with the ring terminal on it to the "R" terminal on your starter solenoid. Connect the other end of this wire to the ballast resistor "feed out" side. (This is the side that feeds the coil).
BLACK	GROUND	Connect this wire to a GOOD chassis ground using the supplied ring terminal E.



another wiring product by...



**American
Autowire**
We Make Wiring Easy!!

PART #	500404	A
DESCRIPTION: <u>IGNITION SWITCH & STARTER WIRING KIT</u>		
92964970	instruction sheet	Rev 4.0 1/14/2004