

VSS Connection
SEE SHEET 4
NOTE: purple & yellow wires must be twisted together

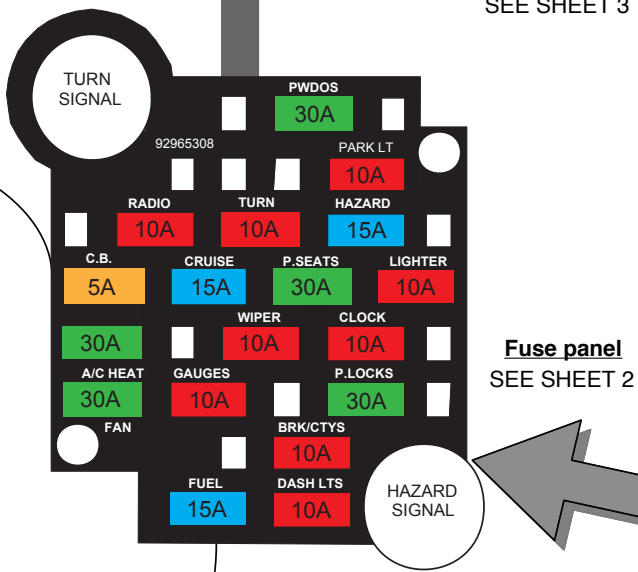
Fuse Panel Installation Instructions

Following these simple instructions will guarantee a successful installation of your American Autowire Fuse Panel Harness.

The order of installation will be as follows:

1. Mount the fuse panel mounting plate.
2. Route fuse panel harness in dash area using original harness clips located at the top of the firewall.
3. Attach the fuse panel to the mounting plate.
4. Make all dash connections as shown in this Fuse Panel Installation sheet.
5. Starting with bag "H", install all other wiring bags as per the letter designation on instruction sheets. (bags H,J,K,L,M,N).

Let's begin your installation of this Fuse Panel harness. Study the diagram above, and follow the installation procedures on the following pages!

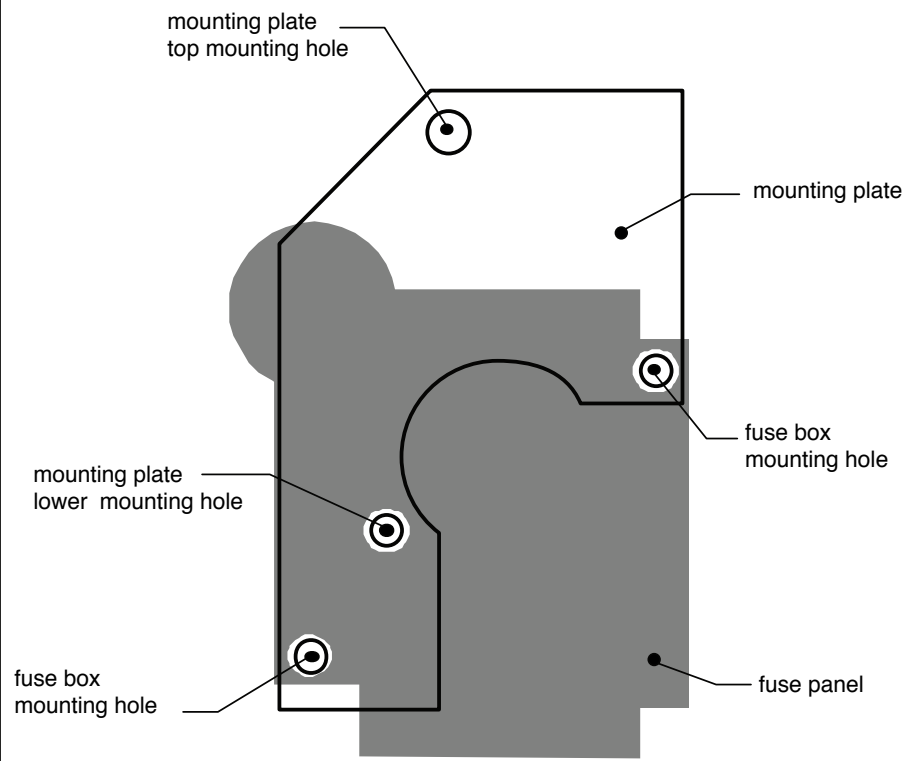


Fuse panel
SEE SHEET 2

RECOMMENDED FUSE CIRCUIT RATINGS			
PARK LIGHTS	10 AMP	CRUISE	15 AMP
HAZARD	15 AMP	CLOCK	10 AMP
BRAKE LIGHTS	10 AMP	LIGHTER	10 AMP
DASH LIGHTS	10 AMP	FUEL PUMP	15 AMP
TURN SIGNAL	10 AMP	POWER SEAT	30 AMP
WIPER	10 AMP	POWER LOCK	30 AMP
GAUGE	10 AMP	POWER WINDOWS	30 AMP
C.B. RADIO	5 AMP		
A/C / HEATER	30 AMP		
RADIO	10 AMP		
FAN	30 AMP		

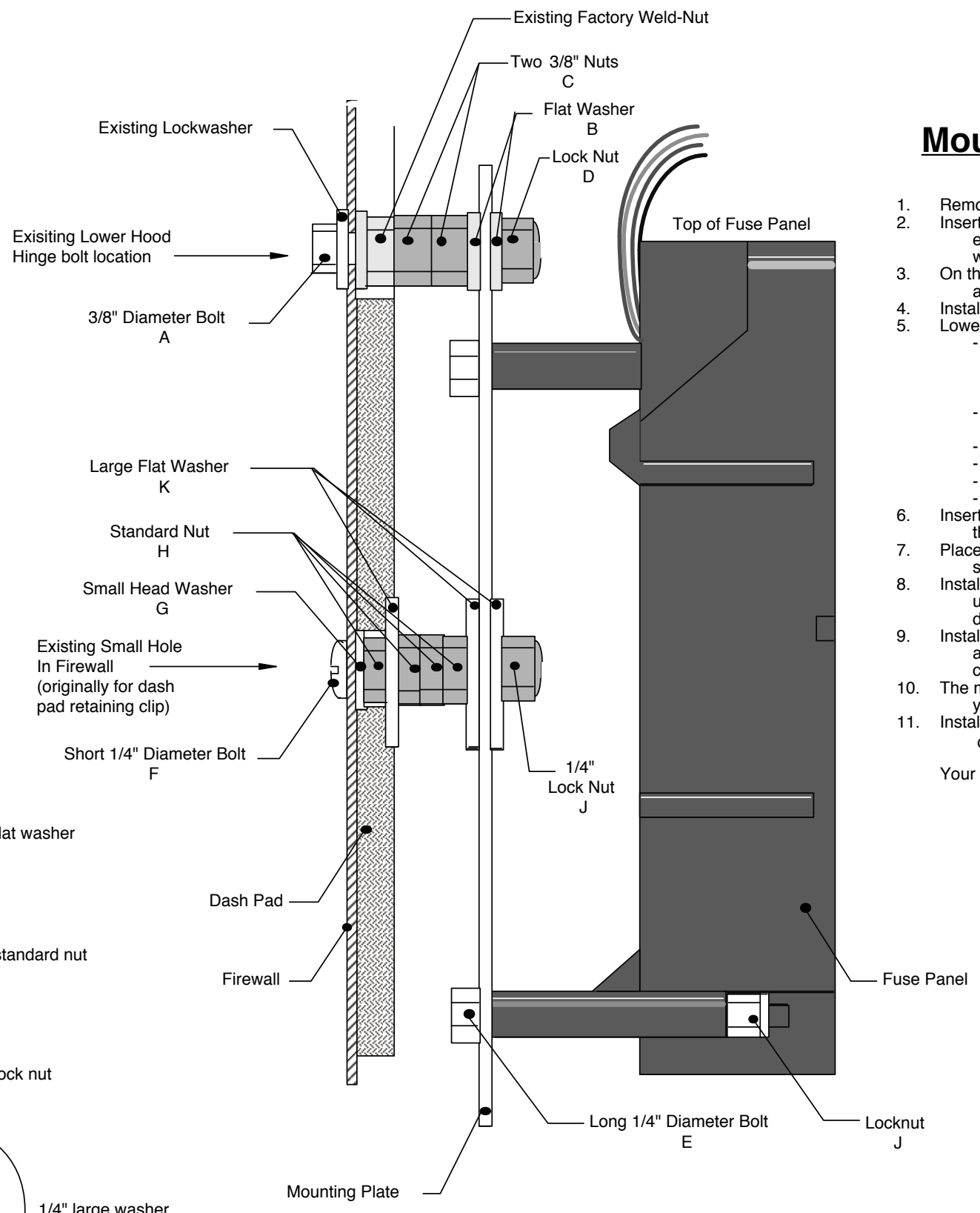
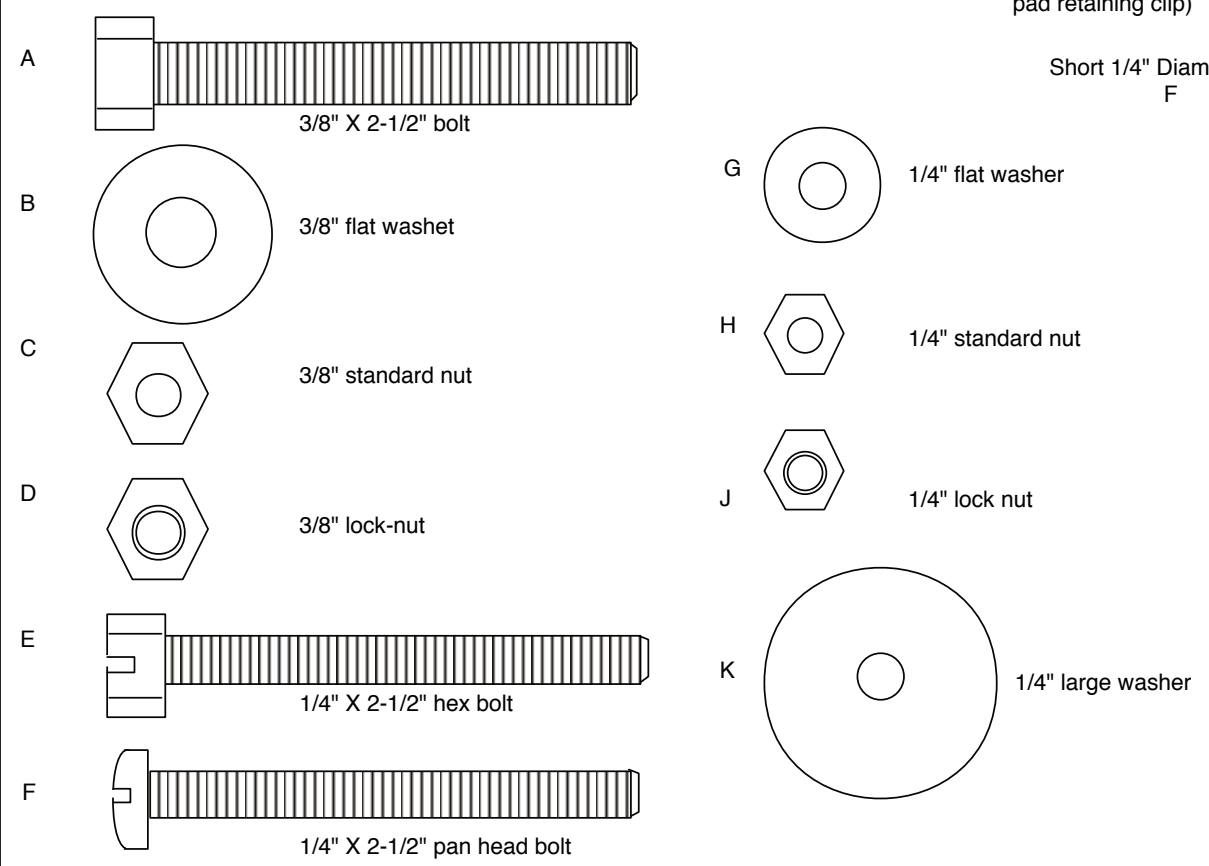
American Autowire
www.americanautowire.com 856-933-0801

PART # **500414** **G**
DESCRIPTION:
1955-56 Chevy
Custom Fuse Panel Harness
92965033 Rev. 18.1 8/9/2018 DB



DETAIL "A"

VIEW FROM INSIDE OF CAR, LOOKING AT FRONT OF FUSE BOX
Once the mounting plate has been secured to the firewall, attach the fuse panel on the mounting plate using the holes shown above.

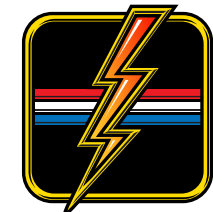


Side view of mounted panel

Mounting Fuse Panel and mounting plate

1. Remove your existing bottom bolt of the hood hinge.
2. Insert new bolt A into this location from the engine compartment with your existing lockwasher and flat washer. This bolt will screw into existing factory weld-nut on inside of firewall.
3. On the inside of the car, install two C nuts onto bolt A, seating each bolt firmly against the weld-nut, and each other.
4. Install flat washer B on bolt A, and leave until step 8.
5. Lower mounting bolt:
 - From the engine compartment, locate the existing stock 1/4" hole located just below and to the right of the hood hinge (originally for dash pad clip). Insert a new 1/4" bolt F (This hole may need to be enlarged slightly if bolt is too snug.)
 - On inside of car, trim firewall pad so that there is enough clearance to install flat washer G onto bolt F.
 - Install 1/4" standard nut H onto bolt F and tighten.
 - Install large flat washer K onto bolt F (this will keep the firewall pad in place).
 - Install three (3) standard nuts H, tightening each firmly.
 - Place large washer K onto bolt F, and leave until step 9.
6. Insert two (2) of bolt E into the fuse box mounting holes on the mounting plate, from the back side (see Detail "A"), and leave hang loose.
7. Place mounting plate onto the bolts that you installed on the firewall, at locations shown in Detail "A".
8. Install flat washer B onto bolt A. Using lock-nut D, tighten mounting plate against upper firewall bolt A. Be sure that there are no exposed threads which could damage wires.
9. Install large flat washer K onto bolt F. Using lock-nut J, tighten mounting plate against lower firewall bolt F. Be sure that there are no exposed threads which could damage wires.
10. The mounting plate should now be installed. Place the fuse panel onto bolts E that you installed on the mounting panel.
11. Install lock-nuts J onto bolts E, and tighten. This is best done using a 1/4" drive, 6 point deep well socket and extension.

Your fuse panel is now installed!

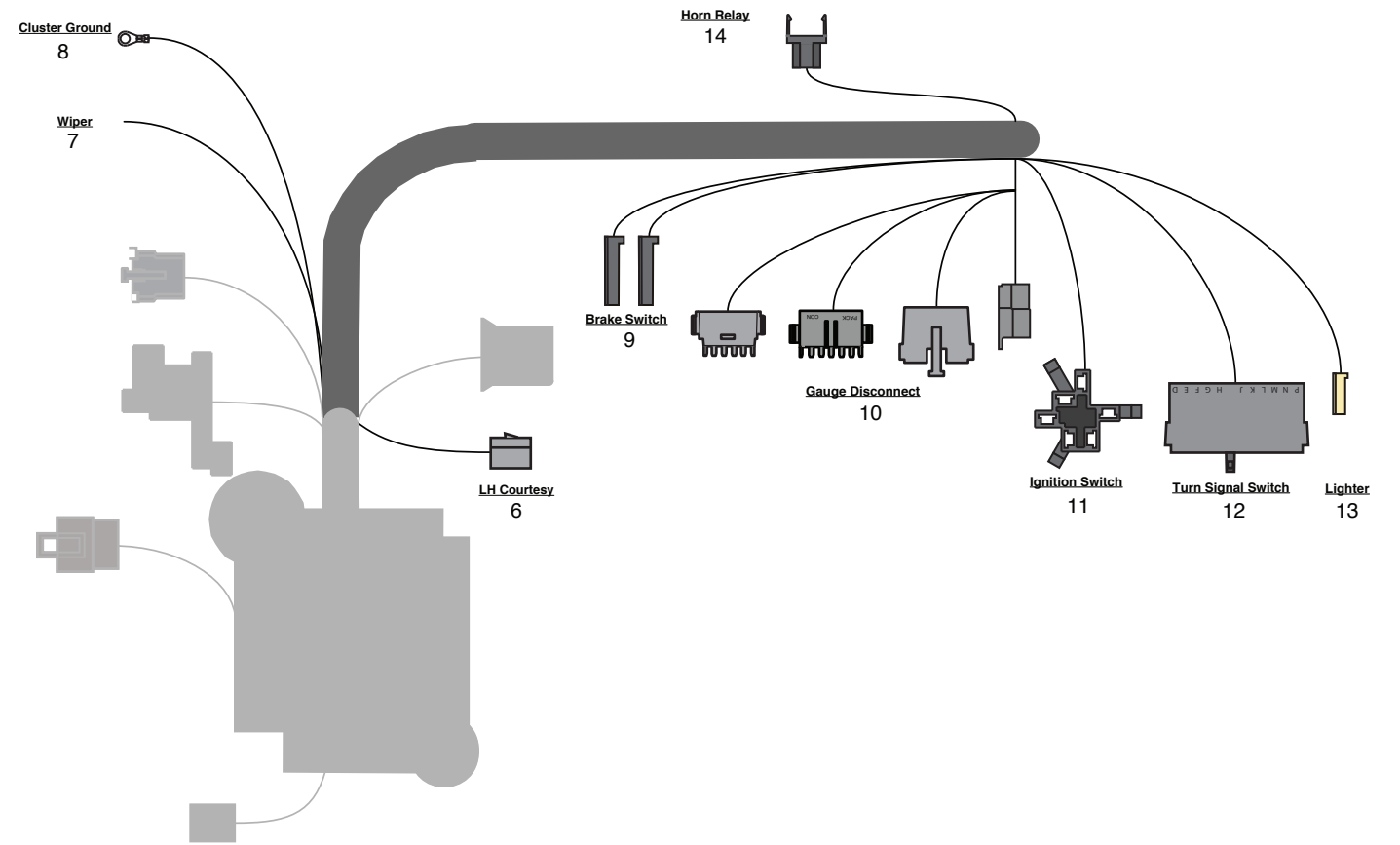
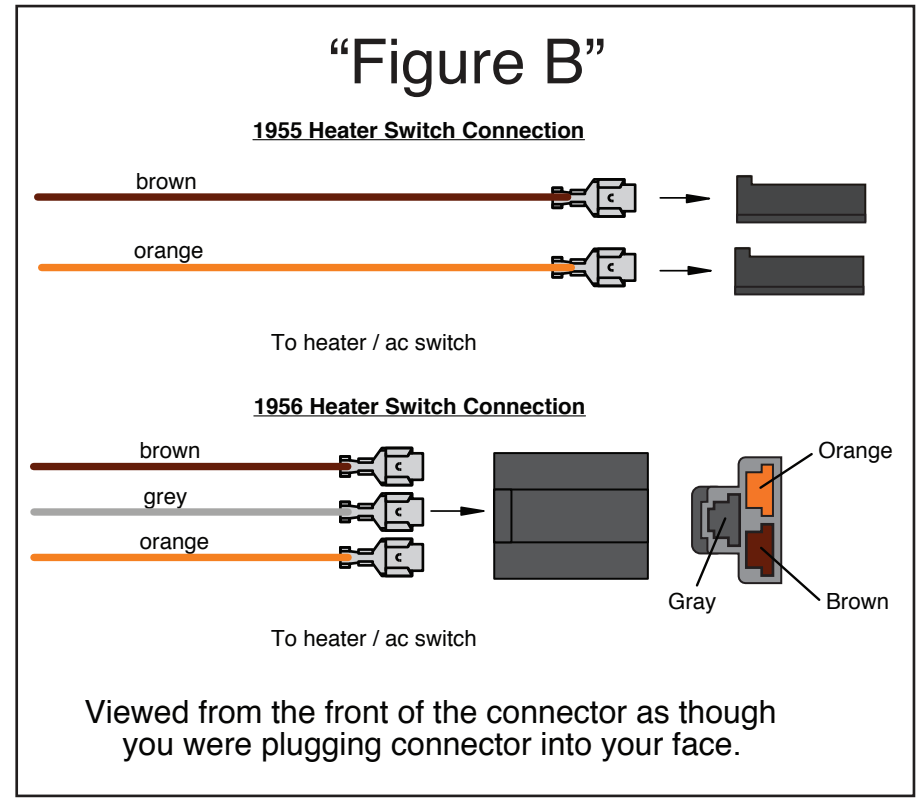
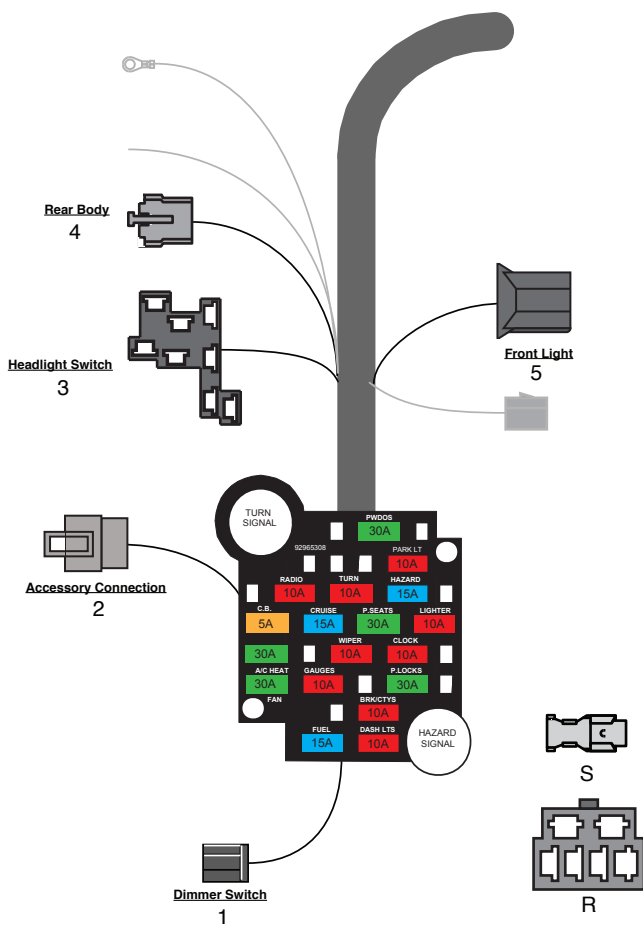


**American
Autowire**

www.americanautowire.com 856-933-0801

1955-56 Chevy
Custom Fuse Panel Harness **500414**

92965033 Rev. 18.1 8/9/2018 DB



Note: Terminals are provided for most connections on your wiring kit. Use the provided terminals and connector to install the following wires:

- | | | | |
|---|------------------|---|--|
| 1 | DIMMER SWITCH | Yellow
Tan
Lt Green | 12 volt feed to dimmer switch.
Low beam feed from dimmer switch to front light connector.
Hi beam feed from dimmer switch to front light connector and dash cluster indicator. |
| 2 | ACCESSORIES | Use the provided connector R and terminals S if you wish to connect to the accessory connector.
Dark Blue
Orange
Red
Pink
Yellow
Tan | FUEL 15 amp Fused 12-volt IGNITION feed for fuel pump (may also be used to feed power to another ignition circuit).
P.SEATS 30 amp Fused 12-volt BATTERY feed for power seats (may also be used to feed power to another battery circuit).
P.LOCKS 30 amp Fused 12-volt BATTERY feed for power door locks (may also be used to feed power to another battery circuit).
CRUISE 15 amp Fused 12-volt IGNITION feed for cruise control (may also be used to feed power to another ignition circuit).
PW DOS 30 amp Fused 12-volt BATTERY feed for power windows (may also be used to feed power to another battery circuit).
CB 5 amp Fused 12-volt ACCESSORY feed (may also be used to feed power to an accessory circuit). |
| 3 | HEADLIGHT SWITCH | NOTE: On some cars, it may be necessary to open up the round mounting hole in the dash a very small amount to install the new AAW H/L Switch 500682
Red
Orange
Brown
Yellow
Dk. Green
White | 12 volt battery feed to light switch for H/L circuit.
Secondary fused 12 volt battery feed to light switch for tail/parking lamp circuits, and output to dk. green dash lamp circuit.
Fused 12 volt feed out to tail and parking lamp circuits.
Feed out to dimmer switch for headlights.
12 volt feed out from light switch to fuse box for dash lamp circuit.
Ground lead for courtesy and dome lamp circuits. |
| 4 | REAR BODY | This connector will mate to the main rear body harness (510404, bag M) connector.
Tan
Brown
Yellow
Dk. Green
Orange
White
Lt. Green
Lt. Blue | Fuel tank sender wire.
Feed to the tail and license plate lamps.
Feed to LH stop and turn lamp.
Feed to RH stop and turn lamp.
Feed to dome and courtesy lamps.
Ground to dome and courtesy lamps.
Feed to back-up lamps.
Feed to third brake lamp. |
| 5 | FRONT LAMP | This connector will mate to the front lamp harness (500432, bag L).
Tan
Lt. Green
Brown
Lt. Blue
Dk. Blue
Dk. Green
Orange | Feed to lo beam H/L circuit.
Feed to hi beam H/L circuit.
Feed to LH and RH parking lamps.
Feed to LH turn signal lamp.
Feed to RH turn signal lamp.
Feed to horns.
Fused 12 volt ignition feed for electric fan relay (DO NOT CONNECT DIRECTLY TO ELECTRIC FAN). |

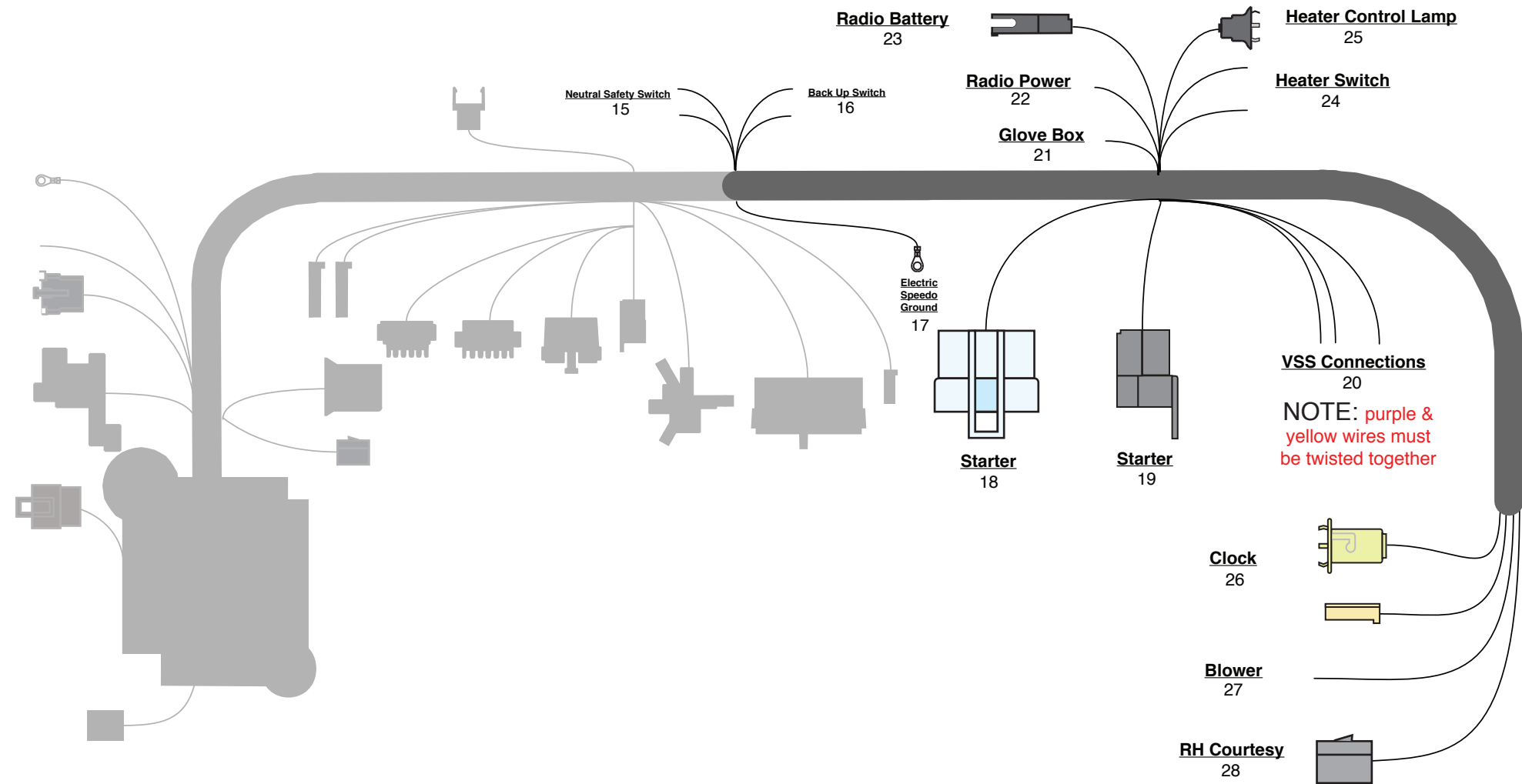
- | | | | |
|----|--------------------|---|---|
| 6 | LH COURTESY | Orange
White | This connector will mate to one of the courtesy lamp extensions (500471, bag N).
12 volt feed to LH courtesy lamp.
Ground feed to LH courtesy lamp and LH door jamb switch. |
| 7 | WIPER FEED | White | Fused 12 volt feed for windshield wipers (on an original 55-56 application, this will connect directly to the wiper motor. The dash switch will control the function. For all aftermarket wiper systems, consult the manufacturers directions for installation). |
| 8 | CLUSTER GROUND | Black | This is the ground wire for the instrument cluster. Connect to a good known chassis ground (do not connect with #17 speedo ground). |
| 9 | BRAKE SWITCH | Orange
White
Lt Blue | Fused 12 volt feed into brake switch
12 volt feed out of the brake switch to the turn signal switch for brake lights.
12 volt out of the brake switch to the rear body connection for the third brake light. |
| 10 | GAUGE DISCONNECT | | These connectors will mate to the gauge cluster harness (510409, bag H) connectors. Wire identifications will be found in that kit. |
| 11 | IGNITION SWITCH | This connector will mate to the new AAW ignition switch (500684).
Red
Pink
Brown
Purple | 12 volt unfused battery feed into the ignition switch.
12 volt unfused ignition feed out of the ignition switch to the fuse panel and engine harness connector.
12 volt unfused accessory feed out of the ignition switch to the fuse panel.
12 volt unfused starter solenoid feed out to the starter connection. |
| 12 | TURN SIGNAL SWITCH | White
Dk. Green
Yellow
Purple
Brown
Dk. Blue
Lt. Blue
Black | This harness has been manufactured using the more common 1969-1976 GM steering column connections as were used by GM and most aftermarket steering column manufacturers. If you are using a stock 1955-56 steering column, or a 1977 or later GM steering column, please see “Figure A” on sheet 4, and using the provided connector L and terminals M found in the 500414 loose piece dash, connect your column to the new AAW dash harness.
12 volt feed into the turn signal switch from the brake switch for your brake lights.
Feed out of the turn signal switch to the rear body connector for the RH rear turn signal.
Feed out of the turn signal switch to the rear body connector for the LH rear turn signal.
12 volt ignition feed into the turn signal switch for turn signals.
12 volt battery feed into the turn signal switch for hazard lamps.
Feed out of the turn signal switch to the front light and cluster connectors for the RH front turn signal.
Feed out of the turn signal switch to the front light and cluster connectors for the RH front turn signal.
Horn relay ground wire from horn switch to horn relay connector. |
| 13 | LIGHTER | Orange | Fused 12 volt feed for cigarette lighter. |
| 14 | HORN RELAY | Red
Black
Dk. Green | Plug the horn relay (found in the fuse, relay, and flasher bag, 510565) into this connector.
12 volt battery for relay.
Relay ground circuit from steering column horn switch.
Triggered 12 volt feed from the relay to the front lamp connector for the horns. |



www.americanautowire.com 856-933-0801

1955-56 Chevy
Custom Fuse Panel Harness **500414**

92965033 Rev. 18.1 8/9/2018 DB



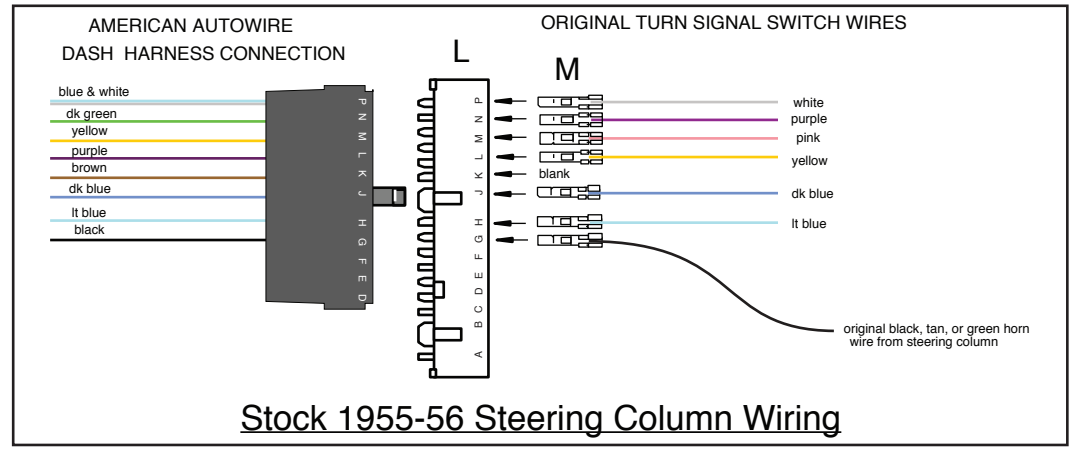
“Figure A” AAW Turn Signal Switch wires to stock 1955-56 Chevy turn signal switch.

AAW Wire #	AAW Wire color	AAW Wire Printing	Stock Wire Color
14A,B	Light Blue	Left Front Turn	Light Blue
15A,B	Dark Blue	Right Front Turn	Dark Blue
16B	Purple	Turn Switch Feed	Yellow
17A,B	Blue & White	Brake Switch	White
18	Yellow	Left Rear Turn	Pink
19	Dark Green	Right Rear Turn	Purple
27B	Brown	Turn Sw - Hazard	Not applicable
28	Black	Horn Relay Ground	Black, Tan, or Dk. Green

NOTE: The stock 1955-56 Chevy turn signal switches did not have a horn ground wire located in them. That wire was a separate wire that was attached to the steering column upper mast jacket bushing and came out through an opening in the steering column. That wire was typically black, tan, or dark green and had a small male blade crimped onto it. If you are using the factory steering column in your car, crimp one of the loose piece terminals “M” found in the loose piece kit of the 500414 dash harness onto that wire, and plug it into the adapter “L” when building your turn signal switch adapter to complete the horn ground circuit.

Note: Terminals are provided for most connections on your wiring kit. Use the provided terminals and connector to install the following wires:

- 15 NEUTRAL SAFETY SW **NOTE: These wires MUST be connected to either a neutral safety switch if using an automatic transmission, or connected together if using a manual transmission in order for the starter to operate, and for the car to start.**
 Purple 12 volt feed from the ignition switch to the neutral safety switch.
 Purple 12 volt feed from the neutral safety switch to the starter connection for the starter solenoid.
- 16 BACK UP SWITCH
 Pink 12 volt fused feed from the fuse box to the back up lamp switch.
 Lt. Green 12 volt feed from the back up lamp switch to the rear body connector for the back up lamps.
- 17 ELECTRIC SPEEDO GROUND
 Black/White St. This is the ground wire for the electric speedometer. Connect to a good known chassis ground (do not connect with #8 cluster ground).
- 18 ENGINE
 This connector will mate to the engine harness (510405, bag J) 6-position connector. Wire identifications will be found in that kit.
- 19 STARTER
 This connector will mate to the engine harness (510405, bag J) 3-position connector. Wire identifications will be found in that kit.
- 20 VSS CONNECTIONS
 These wires will only be used if you are using an electronic speedometer. Route these wires out through the split grommet in the firewall with the engine and starter connections from above, and down to the VSS on your transmission. **(NOTE: The purple and yellow wires must remain twisted together down to the speed sensor unit.)** See the gauge cluster kit instructions, 500436, for typical connections.
 Purple VSS signal. This wire will attach to the signal wire on your VSS (twister together with the yellow wire from below).
 Yellow VSS ground. This wire will attach to the ground wire on your VSS (twister together with the purple wire from above).
 Purple/White St. 12 volt fused feed to the VSS. This wire will attach to the 12 volt wire on your VSS (only used with a 3 wire VSS).
- 21 GLOVE BOX
 Orange 12 volt fused feed for your glove box lamp.
- 22 RADIO POWER
 Tan 12 volt fused accessory powered lead for radio power.
- 23 RADIO BATTERY
 Yellow 12 volt fused battery powered lead for radio memory.
- 24 HEATER SWITCH
 1955 stock heaters used 2 single cavity connectors with a separate lamp feed and socket. 1956 stock heaters used a single 3-cavity connector that incorporated the lamp wire into it. We have provided terminals, connectors, and a lamp socket (1955 application only) for either application. Details for their assembly can be found in “Figure B” on sheet 3 of this instruction set.
 Brown 12 volt fused accessory feed to heater/A-C switch. **(NOTE: This is also the “key on” power feed for any aftermarket heater or A/C system.)**
 Orange 12 volt feed out of the switch to the blower motor.
- 25 HEATER LAMP
 Gray 12 volt feed for lamp circuit.
- 26 CLOCK
 Yellow 12 volt fused battery feed for clock power.
 Gray 12 volt feed for clock lamp.
- 27 HEATER BLOWER
 Orange 12 volt feed from heater switch to blower motor (used only with stock heater switch and blower assembly).
- 28 RH COURTESY
 This connector will mate to one of the courtesy lamp extensions (500471, bag N).
 Orange 12 volt feed to RH courtesy lamp.
 White Ground feed to RH courtesy lamp and RH door jamb switch.



www.americanautowire.com 856-933-0801

1955-56 Chevy
Custom Fuse Panel Harness **500414**

92965033 Rev. 18.1 8/9/2018 DB