

100% MADE IN U.S.A.!!

another wiring product by...



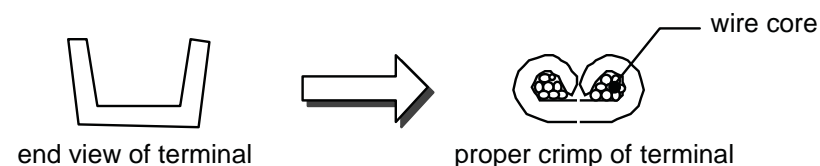
**American
Autowire**

We Make Wiring Easy!!

150 Heller Pl #17 W Bellmawr, NJ 08031 856-933-0801

INSTALLATION INSTRUCTIONS

This wiring kit is designed for ease of installation. Please read the guidelines below, BEFORE STARTING your installation, to guarantee a successful job! Use an appropriate crimping tool which folds the crimp "wings" on the terminals as shown below. ALL TERMINALS THAT YOU INSTALL SHOULD BE PROPERLY SOLDERED. Our factory terminations are installed by GM approved five ton presses, and soldering is not necessary on these terminations.



STEP 1: DISCONNECT YOUR BATTERY:

Disconnect the battery before installing the wiring kit to prevent any accidental shorting caused by loose bare wire ends.

STEP 2: START INSTALLING KIT:

This kit is broken down into individual steps that are identified by a letter printed on the instruction sheets visible through each bag. These letters are the order of operation for installing your kit. Start with the bag letter "G", then "H", etc. The order of installation is shown below.

| | | |
|---|--------|--------------------------------------|
| G | 500414 | Dash Harness Kit |
| H | 500436 | Gauge Cluster Kit |
| J | 500418 | Engine Kit |
| K | 500416 | Parking Lamp & Headlight Grommet Kit |
| L | 500432 | Front Light Kit |
| M | 500417 | Rear Body Kit |

STEP 3: RECONNECT YOUR BATTERY:

When you have completed the installation and are ready to reconnect the battery, make sure that the following electrical system grounds are in place:

- A. Battery is grounded to the ENGINE BLOCK.
- B. Battery is grounded to the frame.
- C. Engine block is grounded to the frame.
- D. Body is grounded to the frame.

STEP 4: CHECK ALL ELECTRICAL FUNCTIONS:

Any non-functioning items should be checked for proper installation. Any problems with your wiring and electrical circuit functions should be addressed to American Autowire Systems, Inc. as soon as possible to avoid any warranty problems.

If you have any questions concerning this or any of our products, please feel free to call us at 1-800-482-WIRE.

"AMERICAN AUTOWIRE MAKES IT EASY !!!"

also available from
American Autowire

- Hood & trunk lights
- Door jamb switches
- Custom battery cables
- Master disconnect switch
- High quality 100 amp alternators
- Terminals, connectors, grommets, light sockets
- Adjustable Fuel Warning Module
- Billet turn signal switch
- Neutral safety switch
- Glove box light
- LED lights
- ...AND MUCH MORE!

OPTIONAL ACCESSORY KITS

| | | |
|--------------------------------|------------|---|
| Brake Switch | p/n 500097 | Button type, 2 blade contact to operate brake lights |
| Brake Switch | p/n 500145 | Button type, 4 blade contact to operate brake lights and cruise control |
| Electric cooling fan relay kit | p/n 500479 | Kit with relay and wiring. |
| Neutral Safety switch (GM) | p/n 500104 | GM TH400, TH350, 700R4. |
| Universal Relay Kit | p/n 500142 | Use for any heavy duty application requiring a relay. |
| Wiper Switch | p/n 500146 | Two speed switch for wiper. |

ther wiring product by...

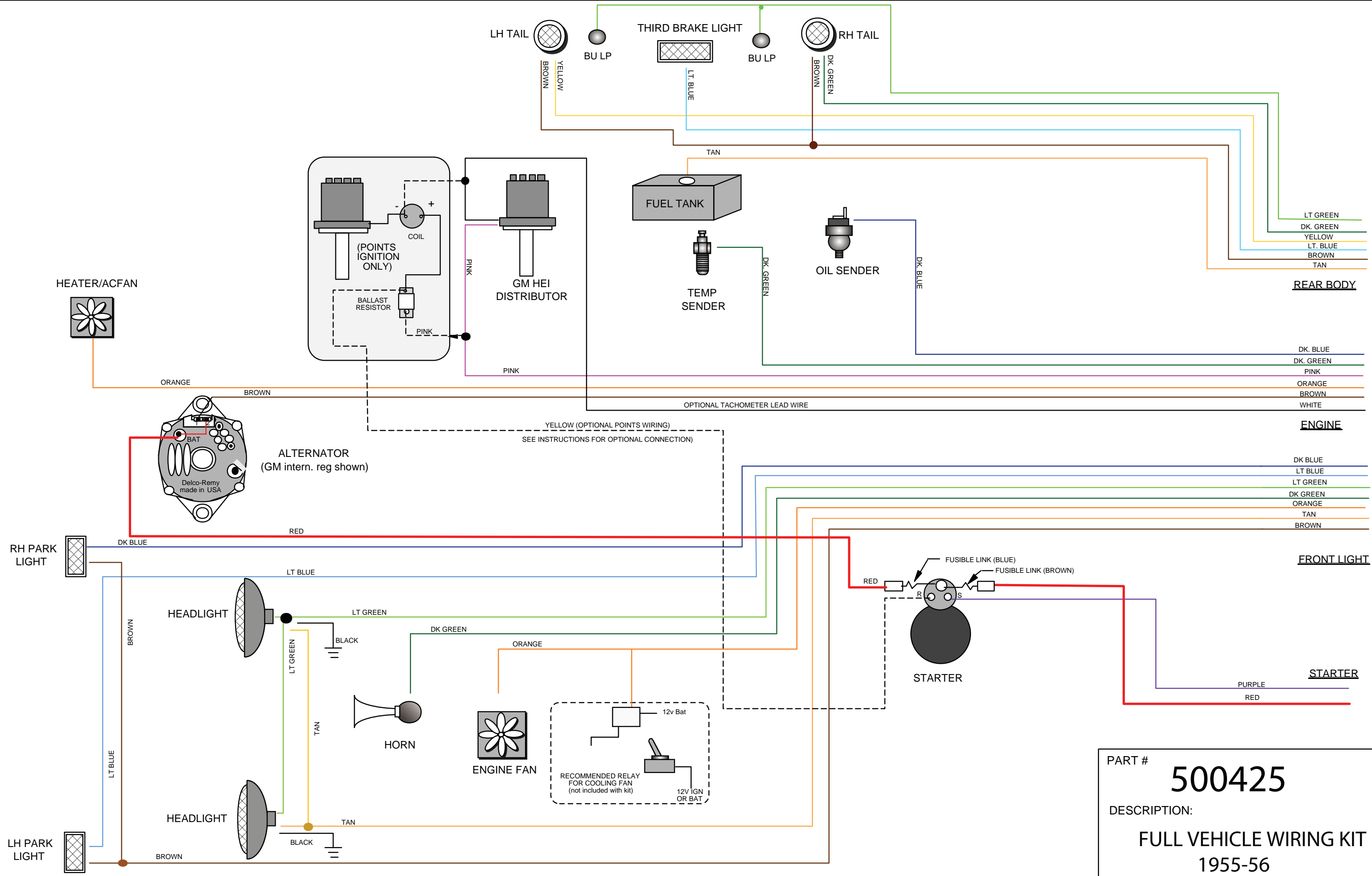


**American
Autowire**

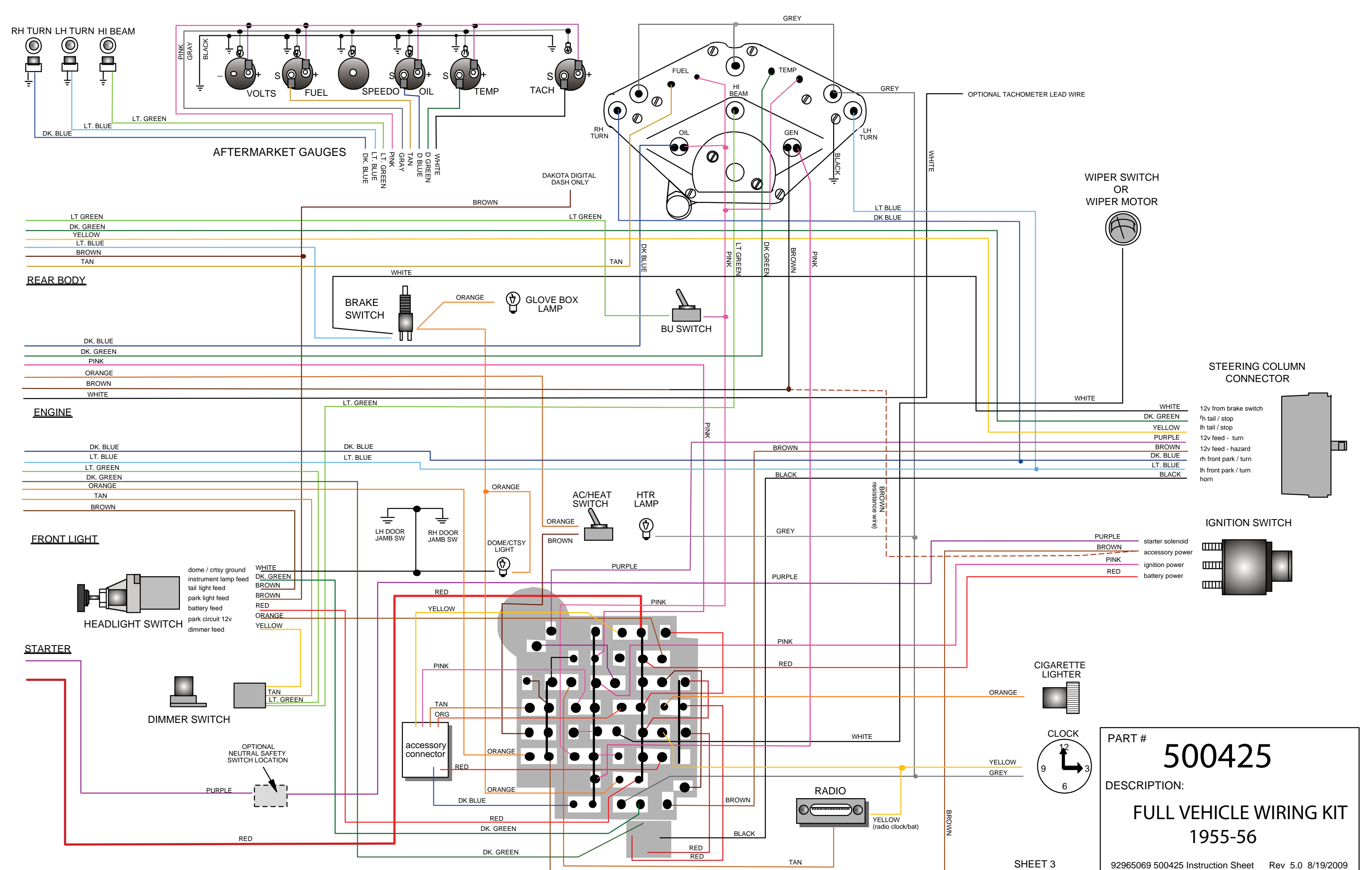
We Make Wiring Easy!!

PART #
500425
DESCRIPTION:
**FULL VEHICLE WIRING KIT
1955-56**

92965069 500425 Instruction Sheet Rev 5.0 8/19/2009



PART #
500425
 DESCRIPTION:
FULL VEHICLE WIRING KIT
1955-56
 92965069 500425 Instruction Sheet Rev 5.0 8/19/2009



RH TURN LH TURN HI BEAM

AFTERMARKET GAUGES

LT GREEN
DK. GREEN
YELLOW
LT. BLUE
BROWN
TAN

REAR BODY

DK. BLUE
DK. GREEN
PINK
ORANGE
BROWN
WHITE

ENGINE

DK. BLUE
LT. BLUE
LT. GREEN
DK. GREEN
ORANGE
TAN
BROWN

FRONT LIGHT

dome / crtsy ground
instrument lamp feed
tail light feed
park light feed
battery feed
park circuit 12v
dimmer feed

WHITE
DK. GREEN
BROWN
BROWN
RED
ORANGE
YELLOW

STARTER

PURPLE
RED

OPTIONAL NEUTRAL SAFETY SWITCH LOCATION

STEERING COLUMN CONNECTOR

WHITE 12v from brake switch
DK. GREEN rh tail / stop
YELLOW lh tail / stop
PURPLE 12v feed - turn
BROWN 12v feed - hazard
DK. BLUE rh front park / turn
LT. BLUE lh front park / turn
BLACK horn

IGNITION SWITCH

PURPLE starter solenoid
BROWN accessory power
PINK ignition power
RED battery power

PART # **500425**

DESCRIPTION:
**FULL VEHICLE WIRING KIT
1955-56**

92965069 500425 Instruction Sheet Rev 5.0 8/19/2009