

Classic Update Series

1947-55 Chevy Truck

START HERE !

PLEASE READ THIS BEFORE STARTING INSTALLATION !

This wiring kit is designed for ease of installation and is for use with a 12 volt electrical system ONLY! Any 6 volt accessories will need to be converted to 12 volts before installation of any wiring. Please read the guidelines below, BEFORE STARTING your installation to guarantee a successful job. Use an appropriate crimping tool which folds the wings of the open barrel terminals down into the wire as shown below. ALL TERMINALS THAT YOU INSTALL SHOULD BE PROPERLY SOLDERED. Our factory crimped terminations are installed by GM approved five ton presses, and soldering these terminations is not necessary. AAW offers a great terminal crimping video entitled "Proper Crimping Video". It can be viewed by visiting YouTube. Type the following address into your web browser to go directly to the video: www.youtube.com/watch?v=8u_EkMsioMy.



STEP 1: DISCONNECT YOUR BATTERY:

Disconnect the battery before installing the wiring kit to prevent any accidental shorting caused by loose bare wire ends.

STEP 2: START INSTALLING KIT:

This kit is broken down into individual steps that are identified by a letter printed on the instruction sheets visible through each bag. These letters are the order of operation for installing your kit. Start with the bag letter 'G', then "H", etc. The order of installation is shown below.

G	500465	Dash Harness Kit
H	510427	Instrument Cluster Kit
J	510405	Engine Kit
K	510418	Parking Lamp Kit
L	500432	Front Light Kit
M	510411	Rear Body Kit
N	500472	Courtesy Lamp Kit
Z	510476	Alternator and Main Connection Kit

STEP 3: RECONNECT YOUR BATTERY:

When you have completed the installation and are ready to reconnect the battery, make sure that the following electrical system grounds are in place:

- Battery is grounded to the ENGINE BLOCK.
- Battery is grounded to the frame.
- Engine block is grounded to the frame.
- Body is grounded to the frame.

STEP 4: CHECK ALL ELECTRICAL FUNCTIONS:

Any non-functioning items should be checked for proper installation. Any problems with your wiring and electrical circuit functions should be addressed to American Autowire Systems, Inc. as soon as possible to avoid any warranty problems.

If you have any questions concerning this or any of our products, please feel free to call us at 1-800-482-WIRE.

"AMERICAN AUTOWIRE MAKES IT EASY!"

MADE IN THE USA

also available from
American Autowire

Hood & trunk lights
Custom battery cables
Master disconnect switch
High quality 100 amp alternators
Terminals, connectors, grommets, light sockets
Adjustable Fuel Warning Module
Billet turn signal switch
Neutral safety switch
Glove box light
LED lights
...AND MUCH MORE !

OPTIONAL ACCESSORY KITS

Brake Switch	p/n 500097	Button type, 2 blade contact to operate brake lights.
Brake Switch	p/n 500145	Button type, 4 blade contact to operate brake lights & cruise control / lock up converter.
Brake Switch	p/n 500098	Original Lever type.
Universal Relay Kit	p/n 500479	Complete relay kit with wiring and relay.
Wiper Switch	p/n 500146	Two speed wiper switch.
Master Disconnect Switch	p/n 500003	HD battery disconnect.
Battery Junction Block	p/n 500155	Use for joining battery power leads or ground leads.
Assembly Manual	p/n 36385	Factory assembly manual

THIS KIT DOES NOT SUPPORT (STOCK) ORIGINAL GENERATORS. THE UPDATED DESIGN OF THIS NEW KIT REQUIRES MORE POWER THAN THE (STOCK) ORIGINAL GENERATOR IS CAPABLE OF SUPPLYING.



**American
Autowire**

www.americanautowire.com 856-933-0801

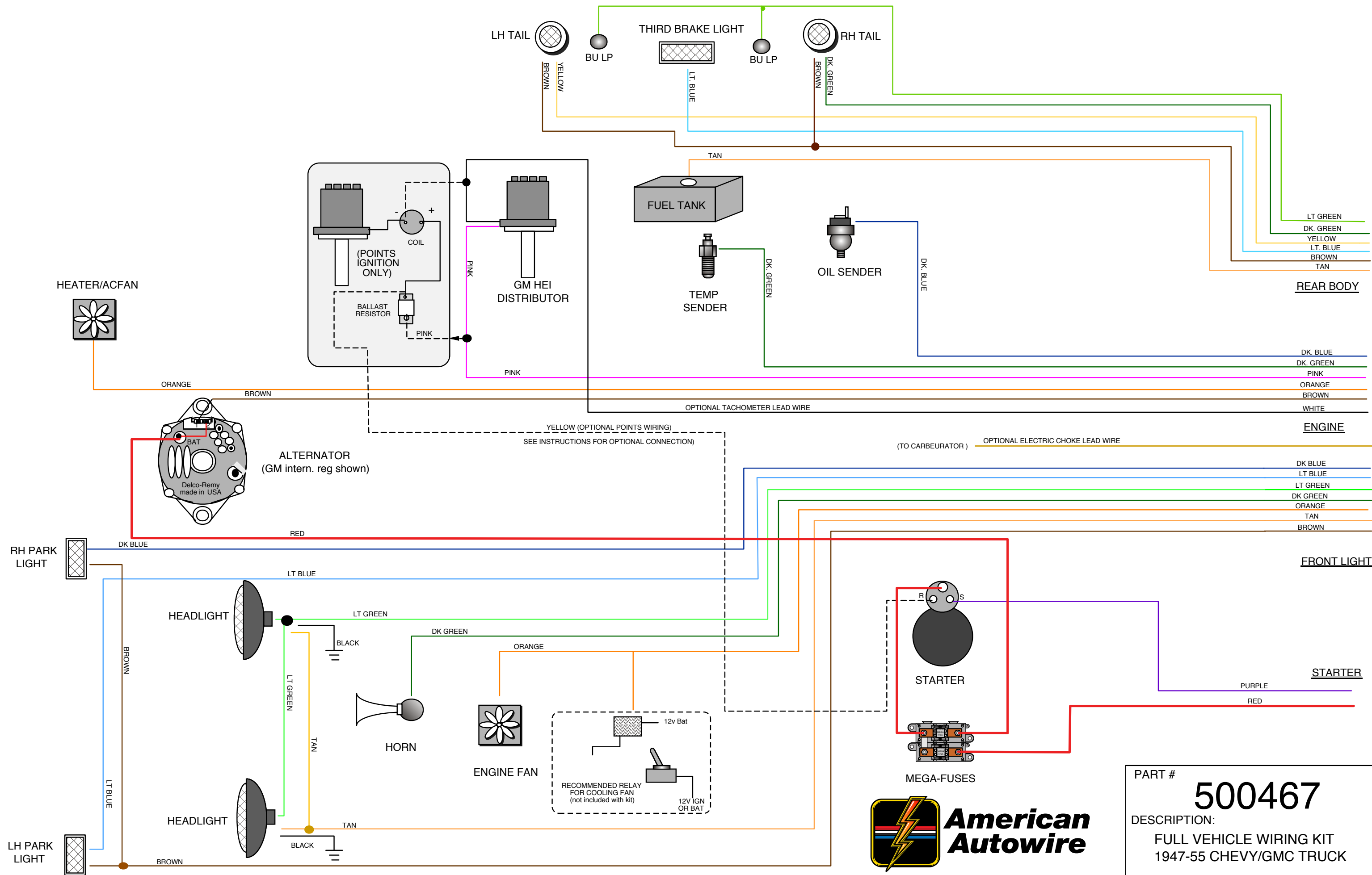
PART #

500467

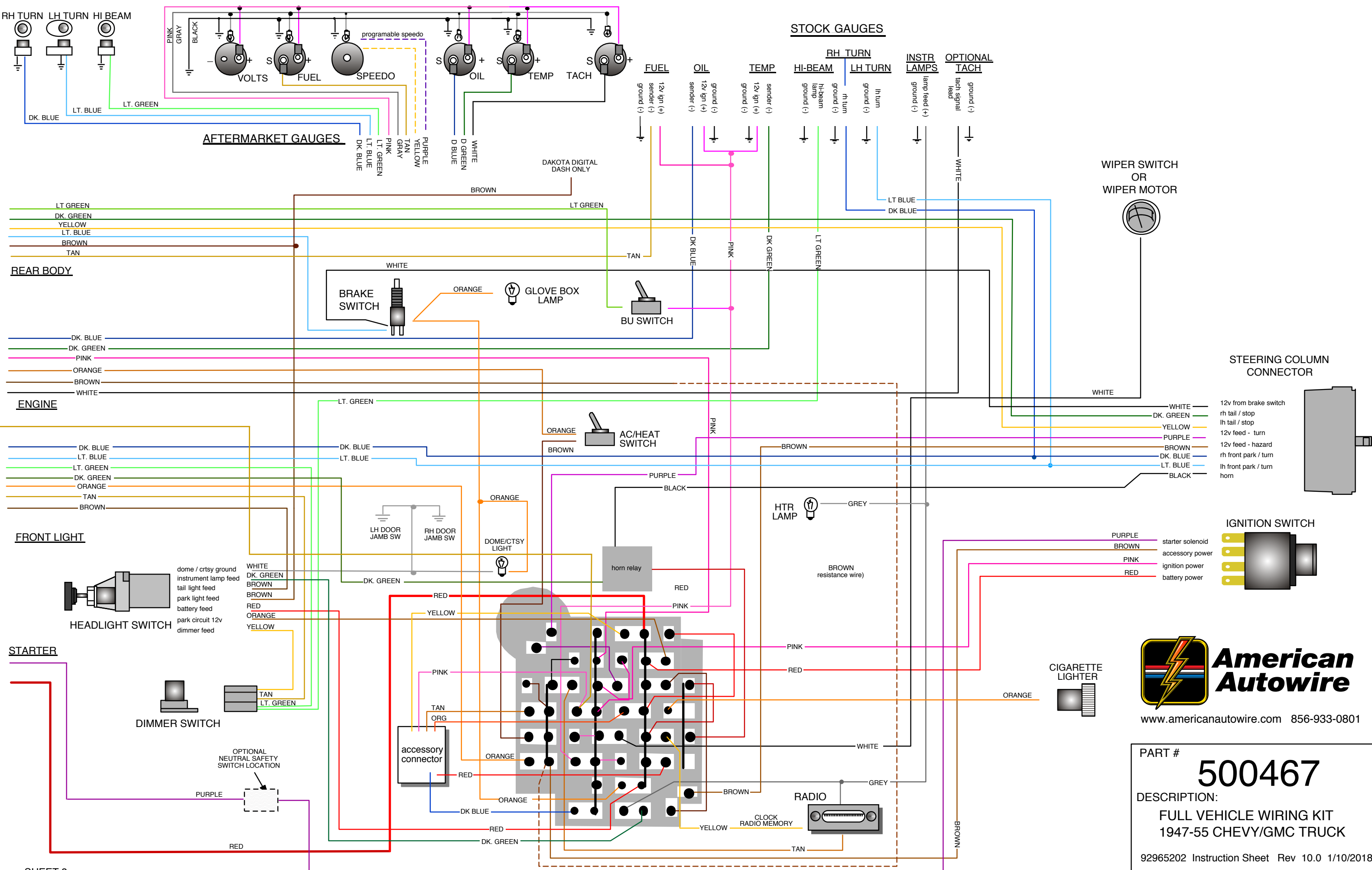
DESCRIPTION:

FULL VEHICLE WIRING KIT
1947-55 CHEVY/GMC TRUCK

92965202 Instruction Sheet Rev 10.0 1/10/2018



PART # **500467**
 DESCRIPTION:
 FULL VEHICLE WIRING KIT
 1947-55 CHEVY/GMC TRUCK
 92965202 Instruction Sheet Rev 10.0 1/10/2018




**American
Autowire**

www.americanautowire.com 856-933-0801

PART #
500467

DESCRIPTION:
FULL VEHICLE WIRING KIT
1947-55 CHEVY/GMC TRUCK

92965202 Instruction Sheet Rev 10.0 1/10/2018

THIS PAGE HAS BEEN INTENTIONALLY LEFT BLANK



www.americanautowire.com 856-933-0801

PART #	500467
DESCRIPTION:	FULL VEHICLE WIRING KIT 1947-55 CHEVY/GMC TRUCK
92965202 Instruction Sheet Rev 10.0 1/10/2018	