

100% MADE IN U.S.A.!

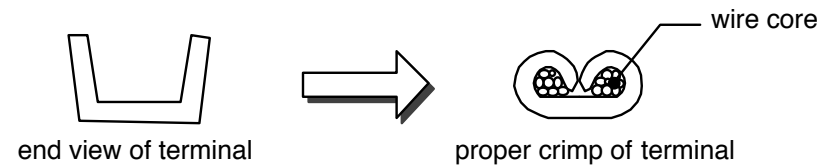


**American
Autowire**

800-482-9473

INSTALLATION INSTRUCTIONS

This system is a 12 volt system designed to work with 12 volt accessories. Any 6 volt accessories need to be converted to 12 volt before installation of the wiring. This wiring kit is designed for ease of installation. Please read the guidelines below, BEFORE STARTING your installation, to guarantee a successful job! Use an appropriate crimping tool which folds the crimp "wings" on the terminals as shown below. ALL TERMINALS THAT YOU INSTALL SHOULD BE PROPERLY SOLDERED. Our factory terminations are install by GM approved five ton presses, and soldering is not necessary on these terminations.



STEP 1: DISCONNECT YOUR BATTERY:

Disconnect the battery before installing the wiring kit to prevent any accidental shorting caused by loose bare wire ends.

STEP 2: START INSTALLING KIT:

This kit is broken down into individual steps that are identified by a letter printed on the instruction sheets visible through each bag. These letters are the order of operation for installing y our kit. Start with the bag letter 'G', then "H", etc. The order of installation is shown below.

G	500465	Dash Harness Kit
H	500468	Instrument Cluster Kit
J	500418	Engine Kit
K	500486	Parking Lamp Kit
L	500432	Front Light Kit
M	500484	Rear Body Kit
N	500472	Courtesy Lamp Kit

STEP 3: RECONNECT YOUR BATTERY:

When you have completed the installation and are ready to reconnect the battery, make sure that the following electrical system grounds are in place:

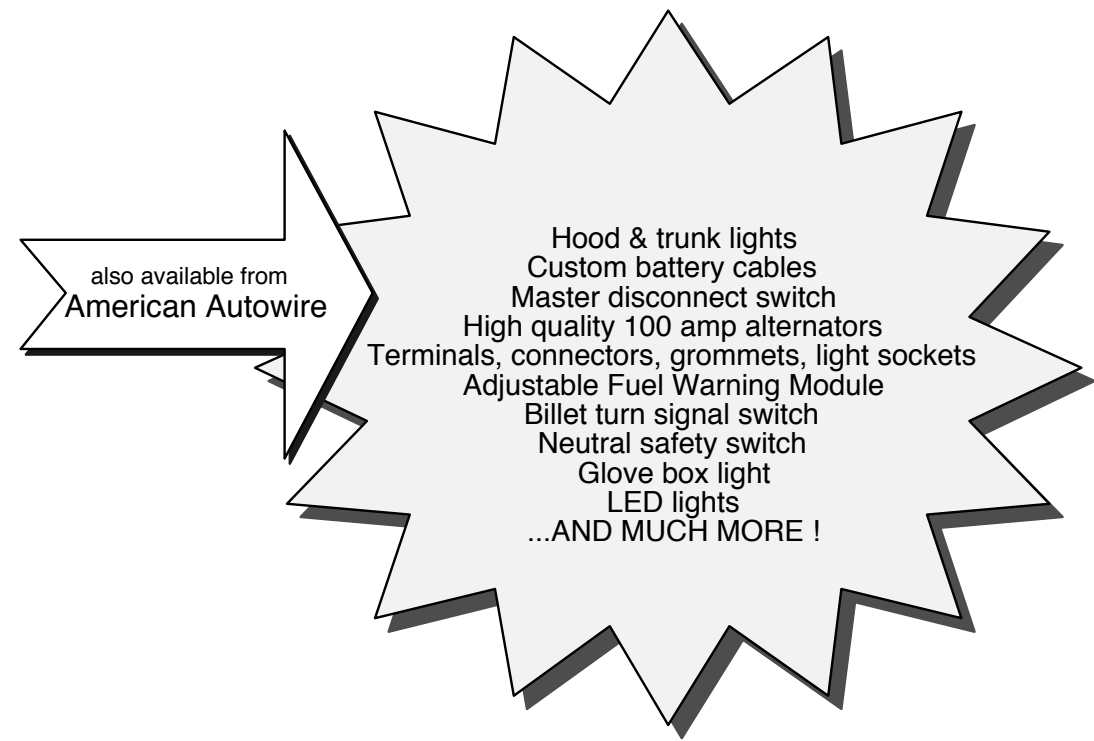
- A. Battery is grounded to the ENGINE BLOCK.
- B. Battery is grounded to the frame.
- C. Engine block is grounded to the frame.
- D. Body is grounded to the frame.

STEP 4: CHECK ALL ELECTRICAL FUNCTIONS:

Any non-functioning items should be checked for proper installation. Any problems with your wiring and electrical circuit functions should be addressed to American Autowire Systems, Inc. as soon as possible to avoid any warranty problems.

If you have any questions concerning this or any of our products, please feel free to call us at 1-800-482-WIRE.

"AMERICAN AUTOWIRE MAKES IT EASY !!"



OPTIONAL ACCESSORY KITS

Battery Junction Block	p/n 500155	Use for joining battery power leads, or ground leads.
Brake Switch	p/n 500098	Original Lever type
Brake Switch	p/n 500097	Button type, 2 blade contact to operate brake lights
Brake Switch	p/n 500145	Button type, 4 blade contact to operate brake lights and cruise control
Circuit Breaker	p/n 500405	30 Amp auto reset.
Electric cooling fan relay kit	p/n 500479	Kit with relay and wiring
Master Disconnect Switch	p/n 500003	Heavy duty battery disconnect.
Neutral Safety switch (GM)	p/n 500104	GM TH400, TH350, 700R4.
Universal Relay Kit	p/n 500142	Use for any heavy duty application requiring a relay.
Wiper Switch	p/n 500146	Two speed switch for wiper.

THIS KIT DOES NOT SUPPORT STOCK (ORIGINAL) GENERATORS. THE DESIGN OF THE KIT IS DESIGNED TO SUPPLY MORE POWER THAN THE GENERATOR IS ABLE TO SUPPLY.



**American
Autowire**

800-482-9473

PART #
500467

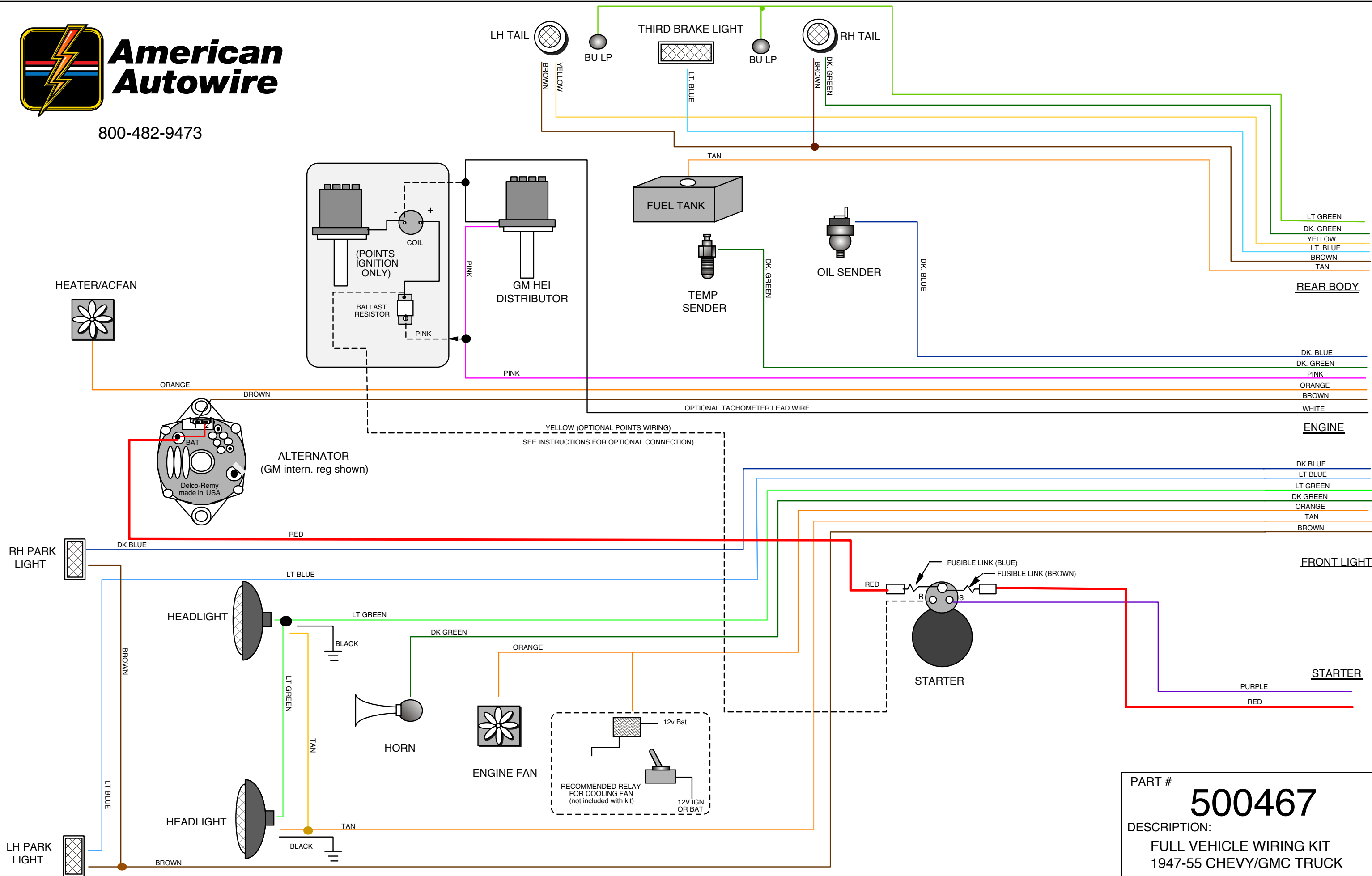
DESCRIPTION:
FULL VEHICLE WIRING KIT
1947-55 CHEVY/GMC TRUCK

92965202 Instruction Sheet Rev 5.0 2/15/2012



American Autowire

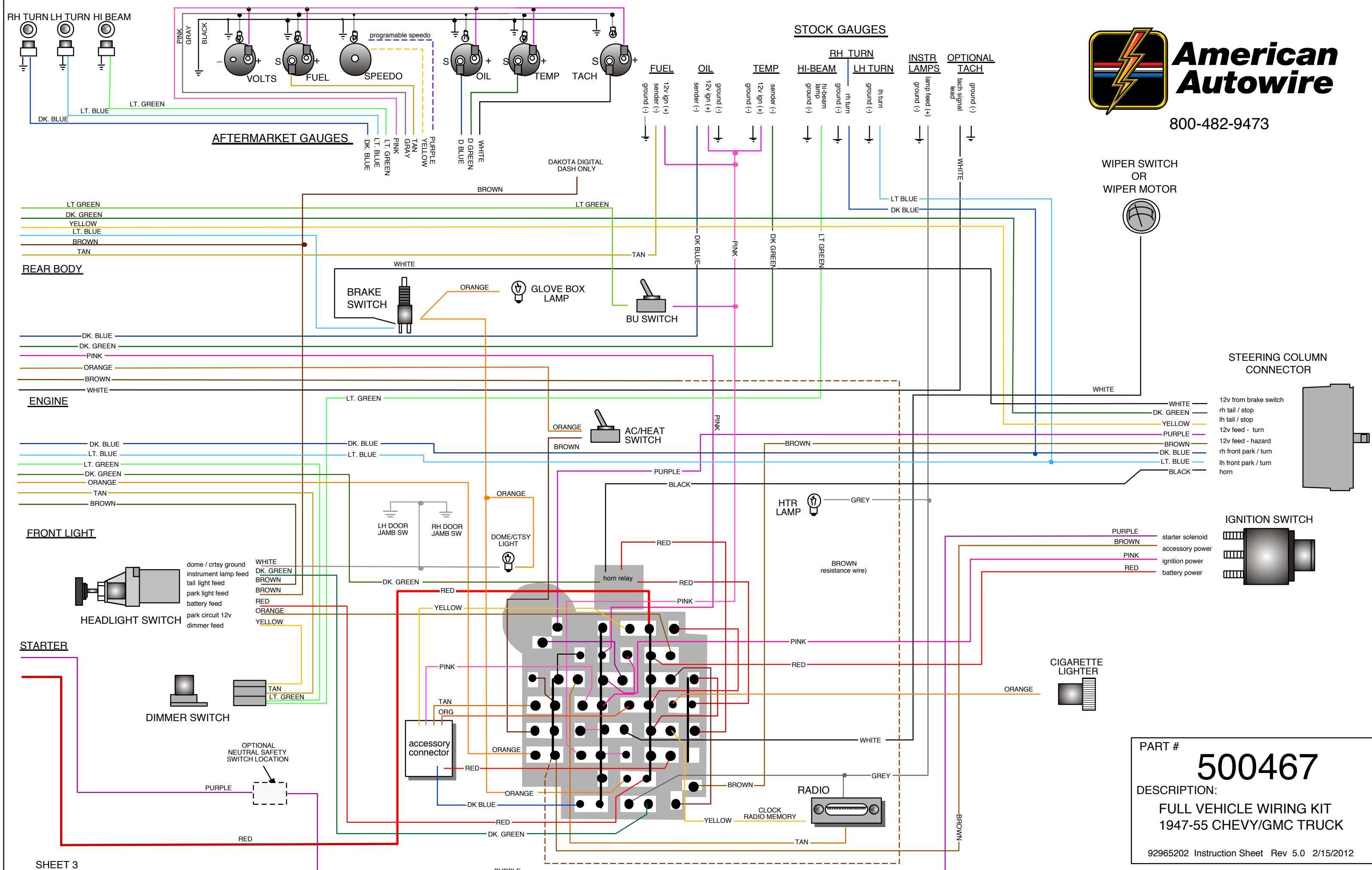
800-482-9473



PART #
500467
 DESCRIPTION:
 FULL VEHICLE WIRING KIT
 1947-55 CHEVY/GMC TRUCK
 92965202 Instruction Sheet Rev 5.0 2/15/2012



800-482-9473



STEERING COLUMN CONNECTOR

- WHITE — 12v from brake switch
- DK. GREEN — rh tail / stop
- YELLOW — lh tail / stop
- PURPLE — 12v feed - turn
- BROWN — 12v feed - hazard
- DK. BLUE — rh front park / turn
- LT. BLUE — lh front park / turn
- BLACK — horn

IGNITION SWITCH

- PURPLE — starter solenoid
- BROWN — accessory power
- PINK — ignition power
- RED — battery power

PART #
500467
 DESCRIPTION:
FULL VEHICLE WIRING KIT
1947-55 CHEVY/GMC TRUCK
 92965202 Instruction Sheet Rev 5.0 2/15/2012

THIS PAGE HAS BEEN INTENTIONALLY LEFT BLANK



800-482-9473

PART # **500467**
DESCRIPTION:
FULL VEHICLE WIRING KIT
1947-55 CHEVY/GMC TRUCK

92965202 Instruction Sheet Rev 5.0 2/15/2012