

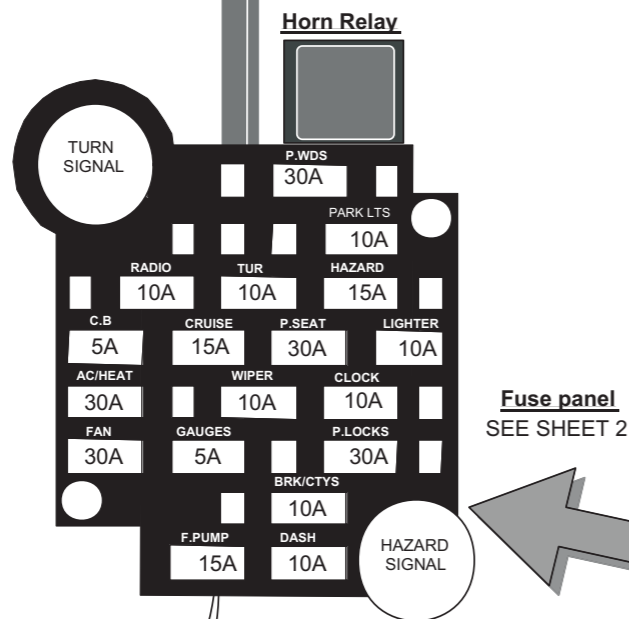
## Fuse Panel Installation Instructions

Following these simple instructions will guarantee a successful installation of your American Autowire Fuse Panel Harness.

The order of installation will be as follows:

1. Install the fuse box and mounting plate.
2. Route fuse panel harness in dash area.
3. Make all dash connections as shown in this Fuse Panel Installation sheet.
4. Starting with bag "H", install all other wiring bags as per the letter designation on instruction sheets. (bags H, J, K, L, M).

Let's begin your installation of this Fuse Panel harness. Study the diagram above, and follow the installation procedures on the following pages!



RECOMMENDED FUSE CIRCUIT RATINGS			
PARK LIGHTS	10 AMP	CRUISE	15 AMP
HAZARD	15 AMP	CLOCK	10 AMP
BRAKE LIGHTS	10 AMP	LIGHTER	10 AMP
DASH LIGHTS	10 AMP	FUEL PUMP	15 AMP
TURN SIGNAL	10 AMP	POWER SEAT	30 AMP
WIPER	10 AMP	POWER LOCK	30 AMP
GAUGE	5 AMP	POWER WINDOWS	30 AMP
C.B. RADIO	5 AMP		
A/C / HEATER	30 AMP		
RADIO	10 AMP		
FAN	30 AMP		

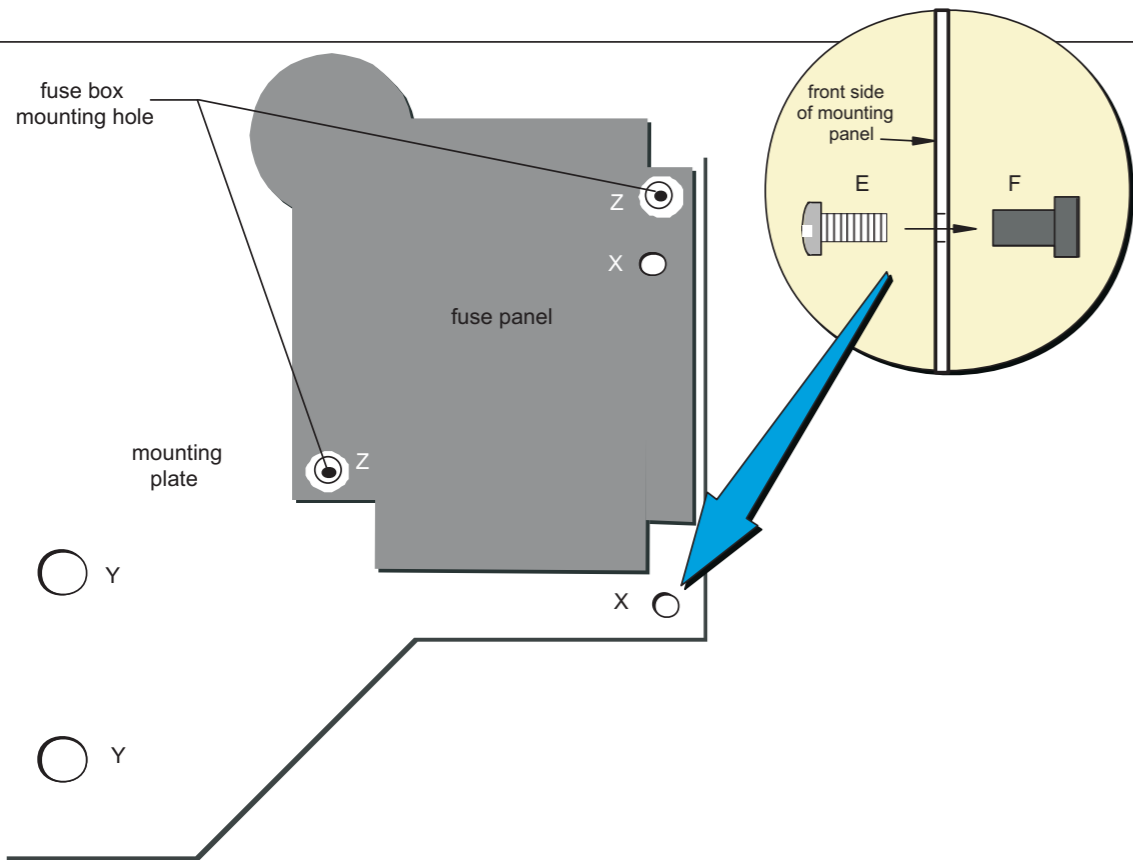
another wiring product by...



150 Heller Pl #17 W Bellmawr, NJ 08031 856-933-0801

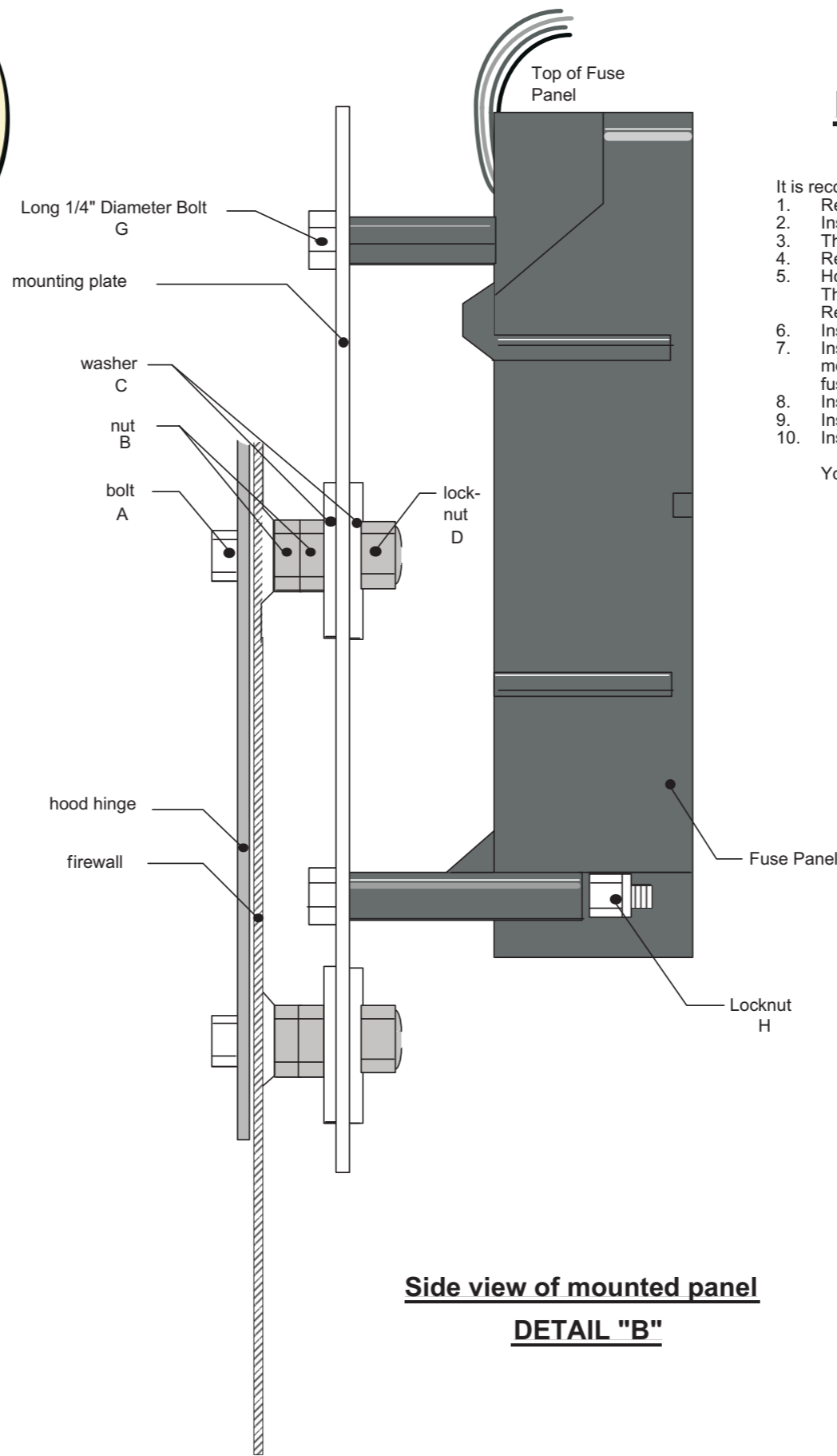
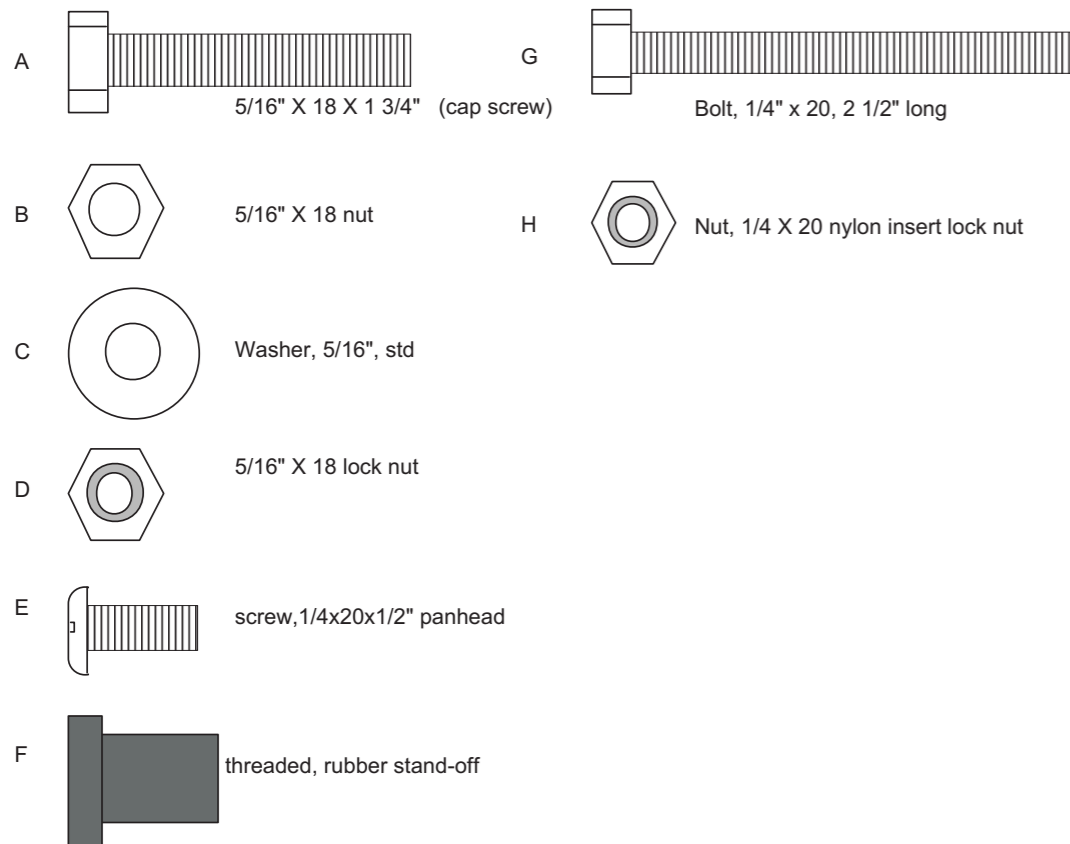
PART # **500465** **G**

DESCRIPTION:  
**1947-55 Chevy/GMC Truck**  
 Custom Fuse Panel Harness  
 92965204 instruction sheet Rev 4.0 9/17/2003 SR



**View from inside of firewall**

**DETAIL "A"**



**Side view of mounted panel**

**DETAIL "B"**

**Mounting Fuse Panel and mounting plate**

- It is recommended that the hood hinge bolts be replaced one at a time as follows:
1. Remove the upper driver-side, hood hinge spring bracket bolt from the firewall.
  2. Install bolt "A" into the existing hood hinge spring bracket bolt hole.
  3. Thread on 2 nuts "B" on each of bolt "A", as shown in detail "B".
  4. Repeat for lower hinge bolt.
  5. Holding the mounting plate, as shown in detail "A", insert screw "E" into hole "X". Thread rubber standoff "F" onto screw "E", as shown. Repeat this procedure for the other hole marked "X".
  6. Insert 2 bolts "G" into holes "Z", as shown in details "A"&"B".
  7. Install fuse panel onto bolts "G", and secure using lock-nuts "H". Be sure to mount fuse panel as shown in detail "A"&"B", with the wires exiting the top of the fuse panel.
  8. Install washer "C" on each bolt "A".
  9. Install mounting plate assembly onto bolts "A", using holes "Y".
  10. Install washer "C" and lock nut "D" to complete the plate installation.

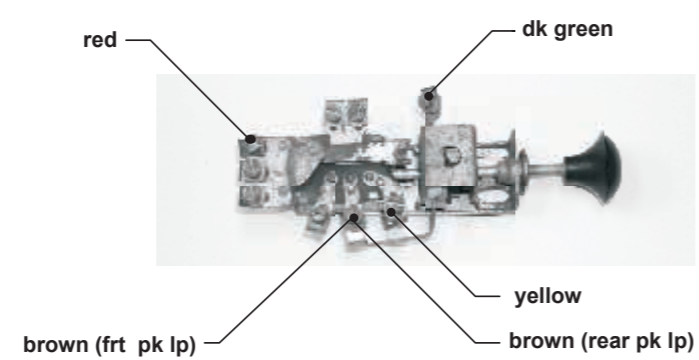
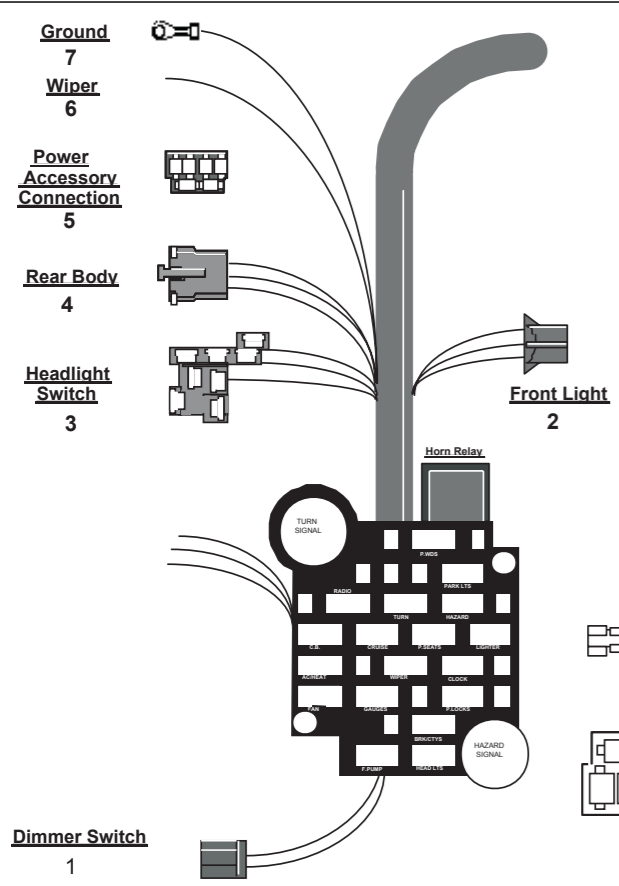
Your fuse panel is now installed!

another wiring product by...

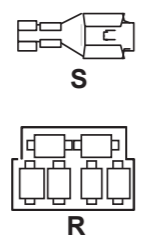


150 Heller Pt #17 W Bellmawr, NJ 08031 856-933-0801

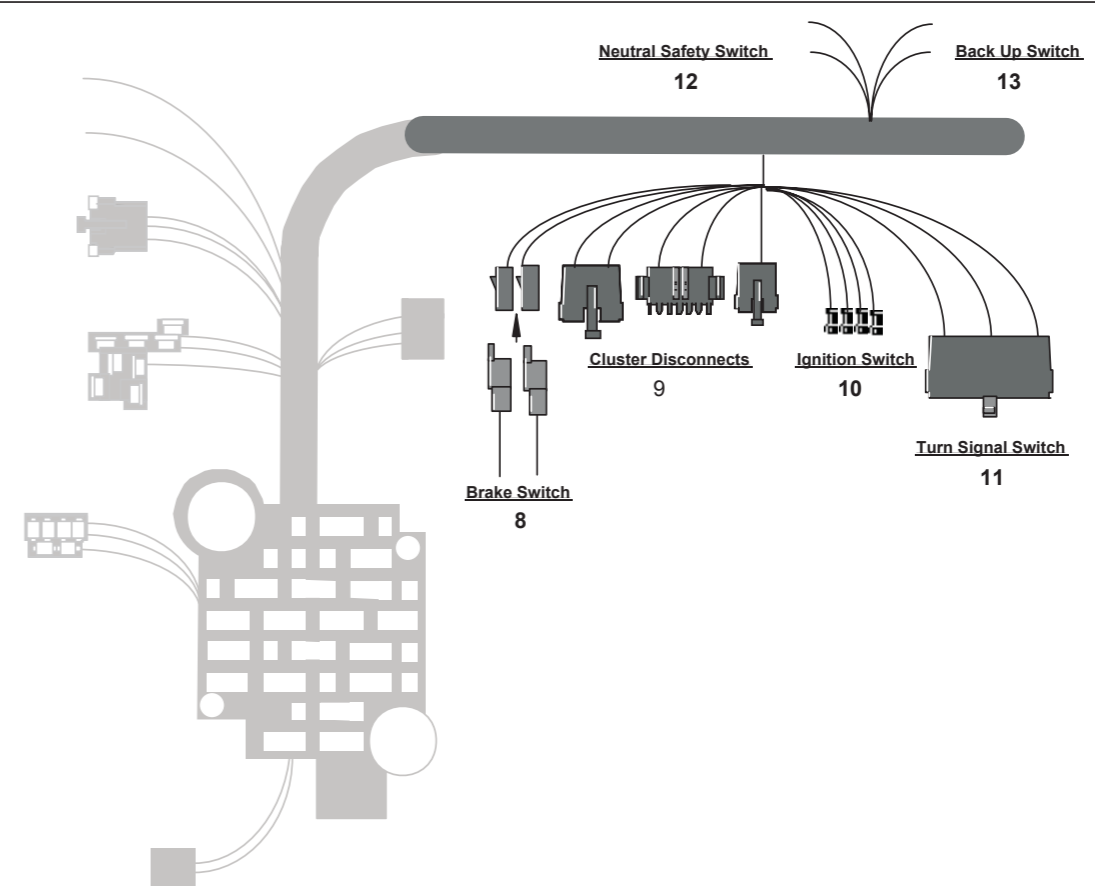
**1947-55 Truck**  
**Custom Fuse Panel Harness 500465**  
 92965204 instruction sheet Rev 4.0 9/17/2003 SR



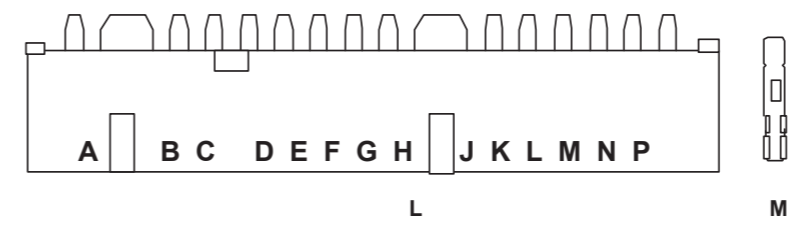
**Original Headlight Switch Connections.**  
 We strongly recommend using the headlight switch which we supply in this wiring kit.  
 If you chose to use an original style switch, connect as shown on the above photo.  
**Note: The orange & white wires are not used on an original style headlight switch.**



- Note: Terminals are provided for most connections on your wiring kit. Use the provided terminals and connectors to install the following wires:**
- |   |                   |   |  |
|---|-------------------|---|--|
| 1 | DIMMER SWITCH     | Yellow<br>Tan<br>Lt Green   | 12 volt feed to dimmer switch<br>Lo beam feed from dimmer switch<br>Hi Beam feed from dimmer switch  |
| 2 | FRONT LIGHT       | This connector will mate to the connector from the Front Light harness found in bag L and the accessory kit found in bag K. |  |
|   |                   | Tan<br>Light Green<br>Brown<br>Light Blue<br>Dark Blue<br>Dark Green<br>Orange  | Lo beam feed to headlight bulb<br>Hi beam feed to headlight bulb<br>Parking lamp feed to parking lamps<br>LH turn feed<br>RH turn feed<br>Horn feed<br>Electric fan feed   |
| 3 | HEADLIGHT SWITCH  | NOTE: For use of stock headlight switch, see photo above.   |  |
|   |                   | Red<br>Orange<br><br>Brown<br>Yellow<br>Gray<br>White   | 12 volt feed to switch<br>12 volt feed "in" to park/tail<br><br>Park / tail feed "out"<br>Dimmer feed<br>Instrument lamp feed<br>Dome / courtesy ground  |
|   |                   |   | "BAT" location on headlight switch<br>"PARK / TAIL FEED IN" location on headlight switch.<br>(commonly found on GM headlight switches)<br>"PARK / TAIL FEED OUT" location on headlight switch.<br>"DIMMER FEED" location on headlight switch.<br>"INSTRUMENT LAMP" location on headlight switch.<br>"GROUND" location on headlight switch.   |
| 4 | REAR BODY         | This connector will mate to the connector from the Rear Body Intermediate harness found in bag M.                           |  |
|   |                   | Tan<br>Brown<br>Yellow<br>Dark Green<br>Orange<br>White<br>Light Green<br>Light Blue  | Fuel tank sender lead<br>Tail lamp feed<br>LH turn / brake feed<br>RH turn / brake feed<br>Dome / courtesy lamp feed<br>Dome / courtesy lamp ground<br>Back up lamp feed<br>Third brake lamp feed  |
| 5 | POWER ACCESSORIES | Use the provided connector R and terminals S if you wish to connect to the accessory connector.                             |  |
|   |                   | Dark Blue<br>Orange<br>Red<br>Pink<br>Yellow<br>Tan   | Fused 12 volt ignition feed for fuel pump (may also be used to feed power to another accessory circuit)<br>Fused 12 volt battery feed for power seats (may also be used to feed power to another accessory circuit)<br>Fused 12 volt battery feed for power door locks (may also be used to feed power to another accessory circuit)<br>Fused 12 volt ignition feed for cruise control (may also be used to feed power to another accessory circuit)<br>Fused 12 volt battery feed for power windows (may also be used to feed power to another accessory circuit)<br>Fused 12 volt ignition CB radio feed (may also be used to feed power to another accessory circuit) |
| 6 | WIPER             | White   | This is a 12 volt feed wire for the wiper circuit. For an aftermarket wiper system, consult wiper manufacturer for proper hook up. All functions of this motor are controlled by the wiper switch, which activates functions by a ground circuit.  |
| 7 | GROUND            | Black   | This wire is the ground for the instrument cluster. Connect it to a good chassis ground.   |



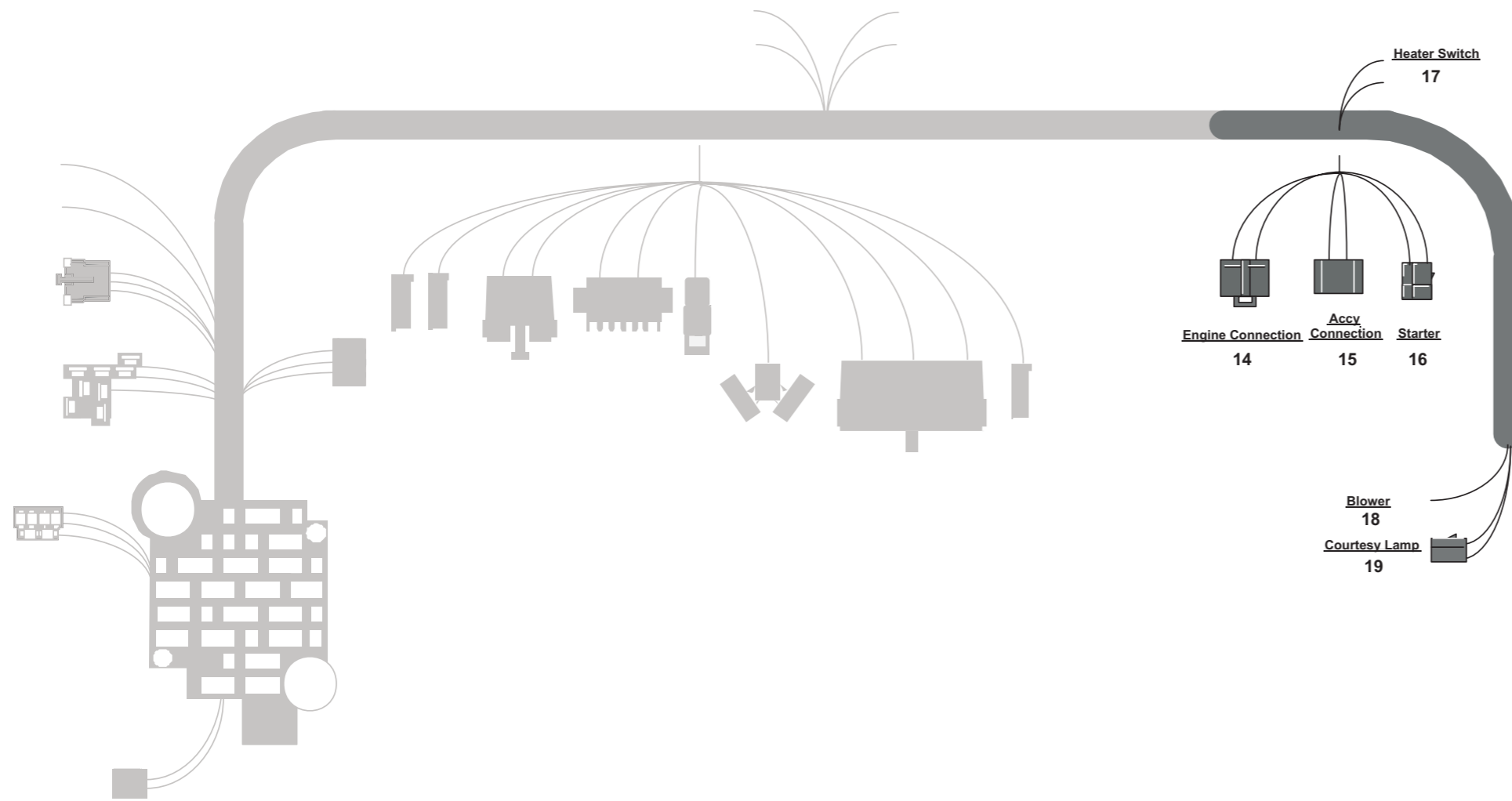
- Note: Terminals are provided for most connections on your wiring kit. Use the provided terminals and connector to install the following wires:**
- |    |                    |  |  |
|----|--------------------|--|--|
| 8  | BRAKE SWITCH       | Orange<br>White<br>Light Blue  | 12 volt feed to brake switch<br>12 volt "out" from brake switch to turn signal switch.<br>12 volt "out" from brake switch to third brake light.  |
| 9  | GAUGE DISCONNECT   |  | These connectors will plug into the gauge disconnect from the Cluster harness, bag H. Each wire function is described on the instruction sheet from bag H.   |
| 10 | IGNITION SWITCH    | Red<br>Pink<br>Purple<br>Brown   | 12 volt battery feed to switch<br>12 volt ignition feed from ignition switch to fuse panel<br>Starter solenoid feed wire   |
| 11 | TURN SIGNAL SWITCH |  | Accessory feed wire from ignition switch to fuse panel<br>This harness has a connector on it for the more common 1969-1974 GM column connection used by GM and most after market manufacturer's. If you are using a 4-1/4" GM column connector, simply replace your existing column connector with connector L below by removing the existing terminals as shown in the Detail D photo on sheet 4.<br>If you are using a turn signal switch which does not have a connector that plugs into the connector on our harness, install connector L and terminals M on your turn signal wires, and then plug connector "L" (see below) into our harness. |
|    |                    | White<br>Dark Green<br>Yellow<br>Purple<br>Brown<br>Dark Blue<br>Light Blue<br>Black<br>Purple<br>Purple | 12 volt feed from brake switch<br>RH tail lamp<br>LH tail lamp<br>12 volt feed from turn flasher<br>12 volt feed from hazard flasher<br>RH front park lamp<br>LH front park lamp<br>Horn relay ground wire to horn switch<br>12 volt feed from ignition switch   |
| 12 | NEUTRAL SAFETY     |  | 12 volt feed to starter (These wires MUST be connected to a neutral safety switch for an automatic transmission, or connected together for a manual transmission car, for the starter to operate correctly.)   |
| 13 | BACK UP SWITCH     | Pink<br>Light Green  | 12 volt ignition power to switch<br>12 volt power out to back up lights, from switch.  |



another wiring product by...



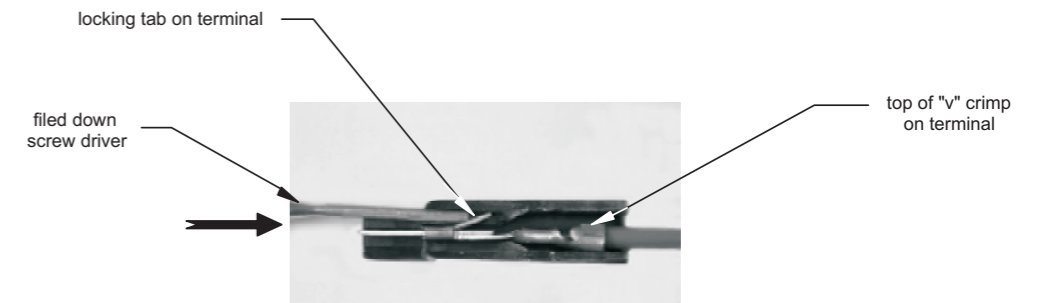
**1947-55 Truck Custom Fuse Panel Harness 500465**  
 92965204 instruction sheet Rev 4.0 9/17/2003 SR



another wiring product by...



150 Heller Pl #17 W Bellmawr, NJ 08031 856-933-0801



**DETAIL D**

To remove terminal, locate the crimped end of terminal, and look for the "v" side of crimp. This is the same side that the locking tab is located on the terminal. From the opposite end of connector, insert a thin, filed down screwdriver into the cavity to collapse the locking tab. Gently pull wire from behind and the terminal will release.  
To re-install, simply pull the locking tab up into position and insert the terminal in the connector.

**Note: Terminals are provided for most connections on your wiring kit. Use the provided terminals and connector to install the following wires:**

14	ENGINE CONNECTION		This connector will plug into the mating connector on the Engine harness, bag J. Wire identifications are described on the Instruction sheets from bag J.
15	ACCY CONNECTOR	Red Yellow Orange Grey Tan	This connector can be used for many different functions. Supplied in this kit is a mating connector with terminated wires for your use. Install the wires maintaining color continuity with the wires on our harness. We recommend the following: Cigarette lighter - fused battery. Radio 12 volt - fused battery. Glove box - fused battery. Heater control lamp - fused battery. Radio 12 volt fused accessory.
16	STARTER CONNECTION		This connector will plug into the mating connector from the Engine harness, bag J.
17	HEATER SWITCH	Brown Orange	Fused 12 volt feed to heater / ac switch 12 volt power from heater / ac switch to blower
18	BLOWER	Orange	Feed from heater / ac switch to blower
19	COURTESY LAMP	White Orange	This connector plugs into the mating connector for the courtesy lamp kit 500472. (Bag N) Dome / courtesy lamp ground, to door jamb switch 12 volt battery feed to courtesy lamp.

**1947-55 Truck**  
**Custom Fuse Panel Harness 500465**  
92965204 instruction sheet Rev 4.0 9/17/2003 SR