

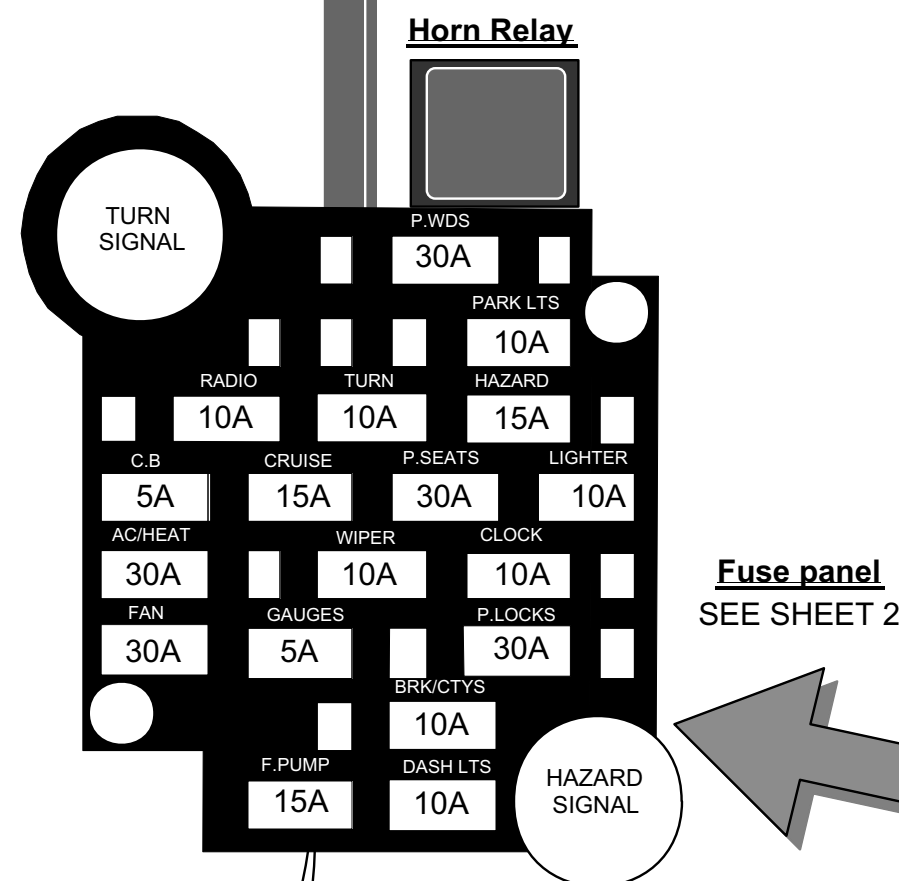
Fuse Panel Installation Instructions

Following these simple instructions will guarantee a successful installation of your American Autowire Fuse Panel Harness.

The order of installation will be as follows:

1. Install the fuse box and mounting plate (see sheet 2)
2. Route fuse panel harness in dash area. Installation clamps are provided, as shown in detail "D" on sheet 4.
3. Make all dash connections as shown in this Fuse Panel Installation sheet.
4. Starting with bag "H", install all other wiring bags as per the letter designation on instruction sheets. (bags H,J,K,L,M).

Let's begin your installation of this Fuse Panel harness. Study the diagram above, and follow the installation procedures on the following pages!



RECOMMENDED FUSE CIRCUIT RATINGS

PARK LIGHTS	10 AMP	CRUISE	15 AMP
HAZARD	15 AMP	CLOCK	10 AMP
BRAKE LIGHTS	10 AMP	LIGHTER	10 AMP
DASH LIGHTS	10 AMP	FUEL PUMP	15 AMP
TURN SIGNAL	10 AMP	POWER SEAT	30 AMP
WIPER	10 AMP	POWER LOCK	30 AMP
GAUGE	5 AMP	POWER WINDOWS	30 AMP
C.B. RADIO	5 AMP		
A/C / HEATER	30 AMP		
RADIO	10 AMP		
FAN	30 AMP		

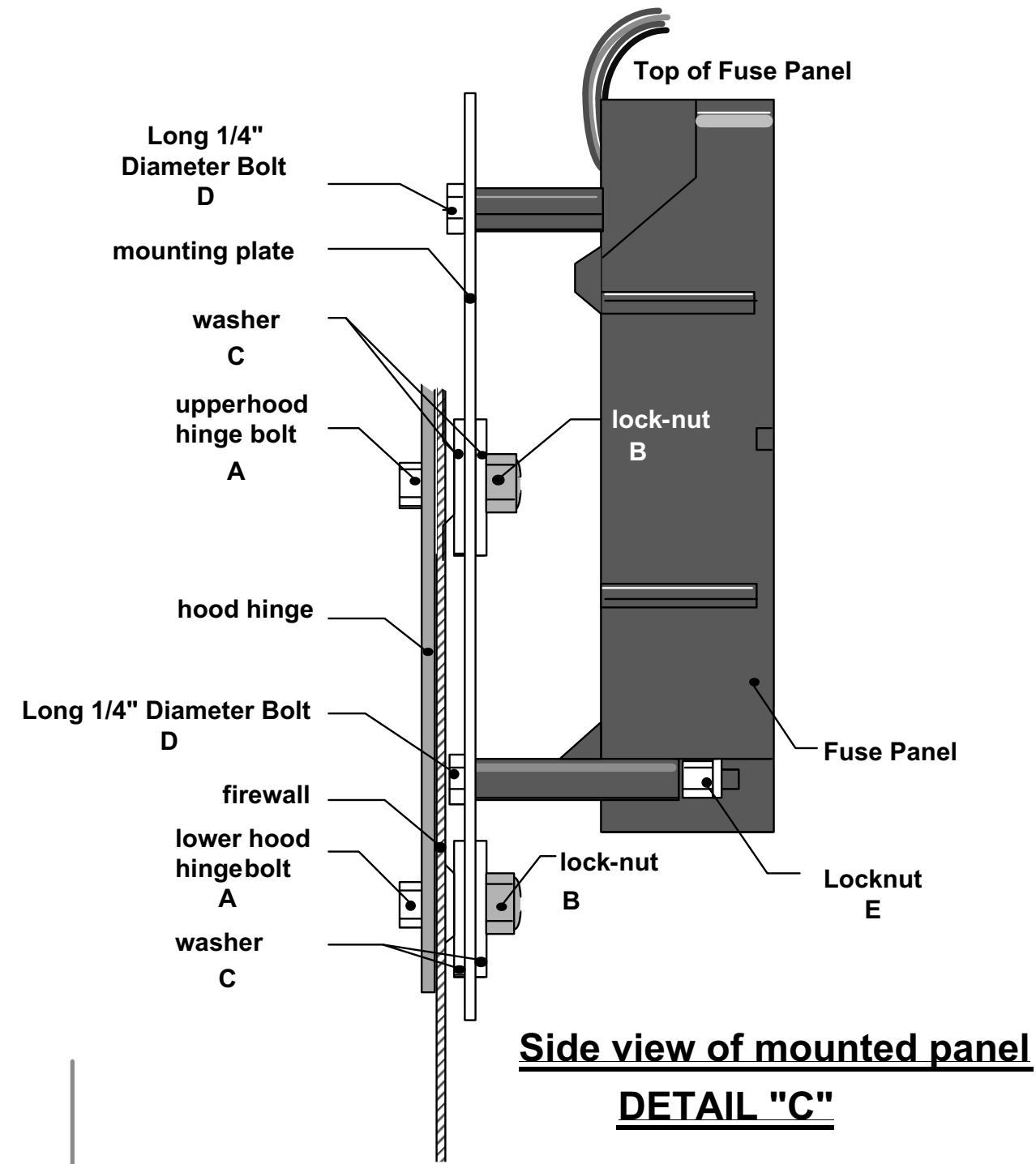
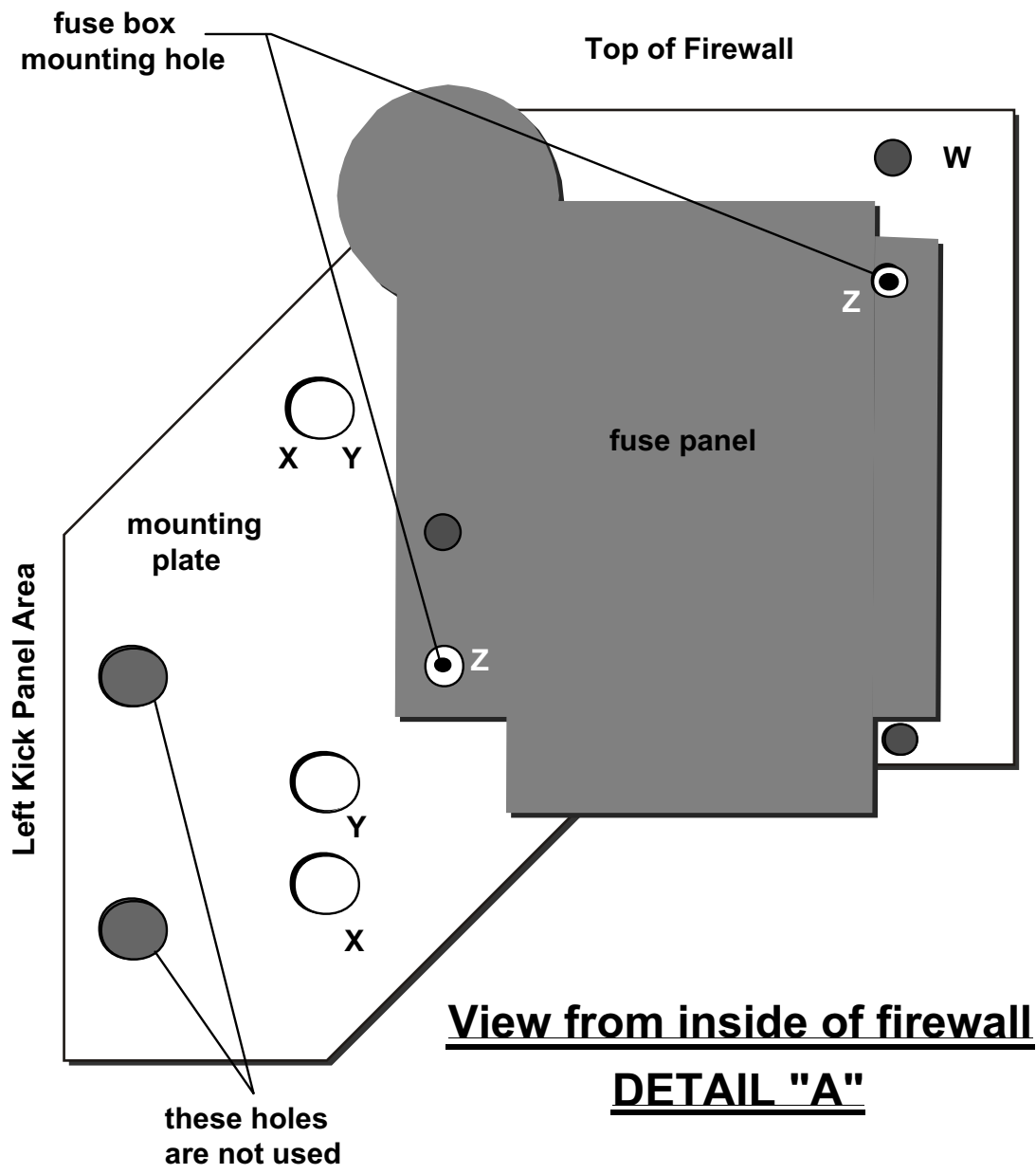
another wiring product by...



150 Heller Pl #17 W Bellmawr, NJ 08031 856-933-0801

PART # **500482** **G**

DESCRIPTION:
1955-59 Chevy/GMC Truck
 Custom Fuse Panel Harness
 92965278 instruction sheet Rev 5.0 3/24/03 SR

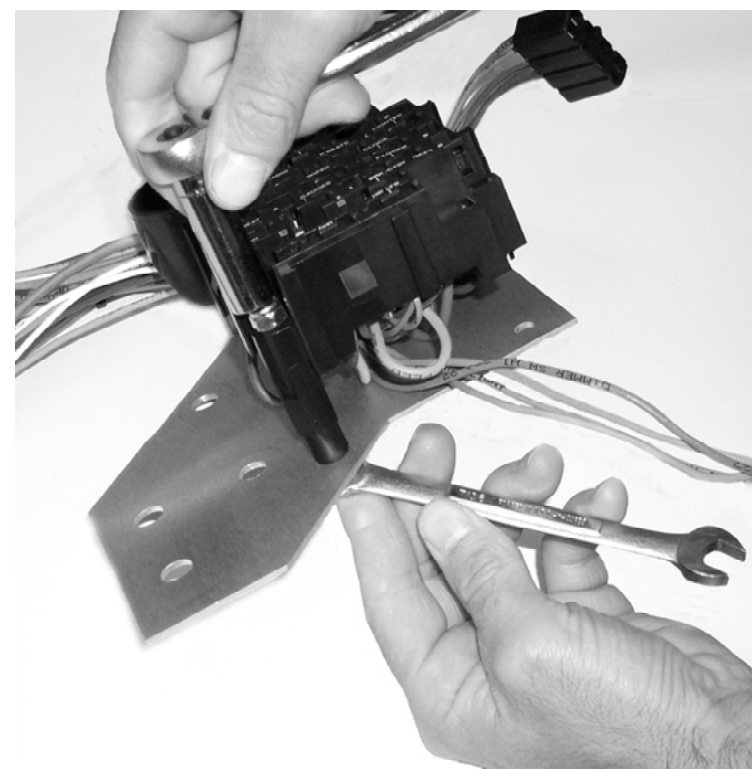
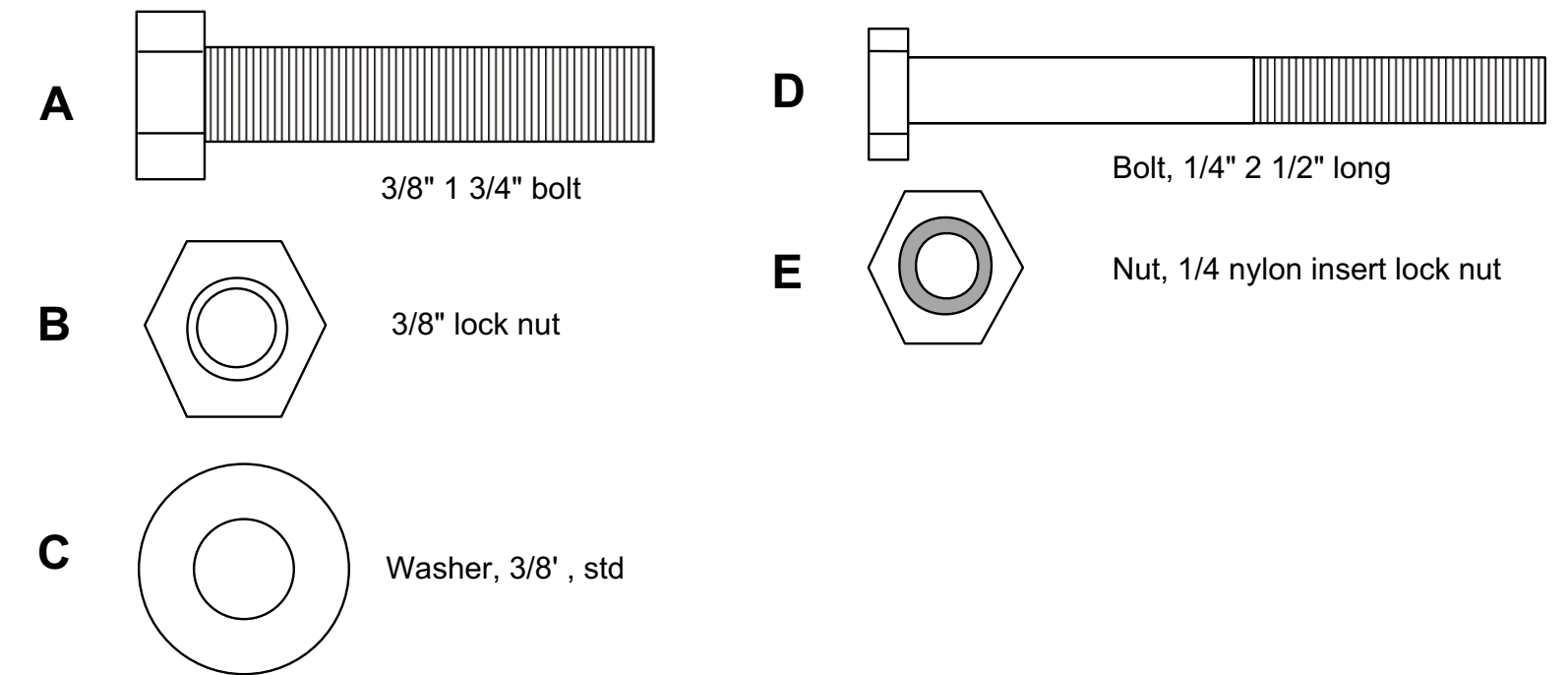


Mounting Fuse Panel and mounting plate 1955-1957 ONLY

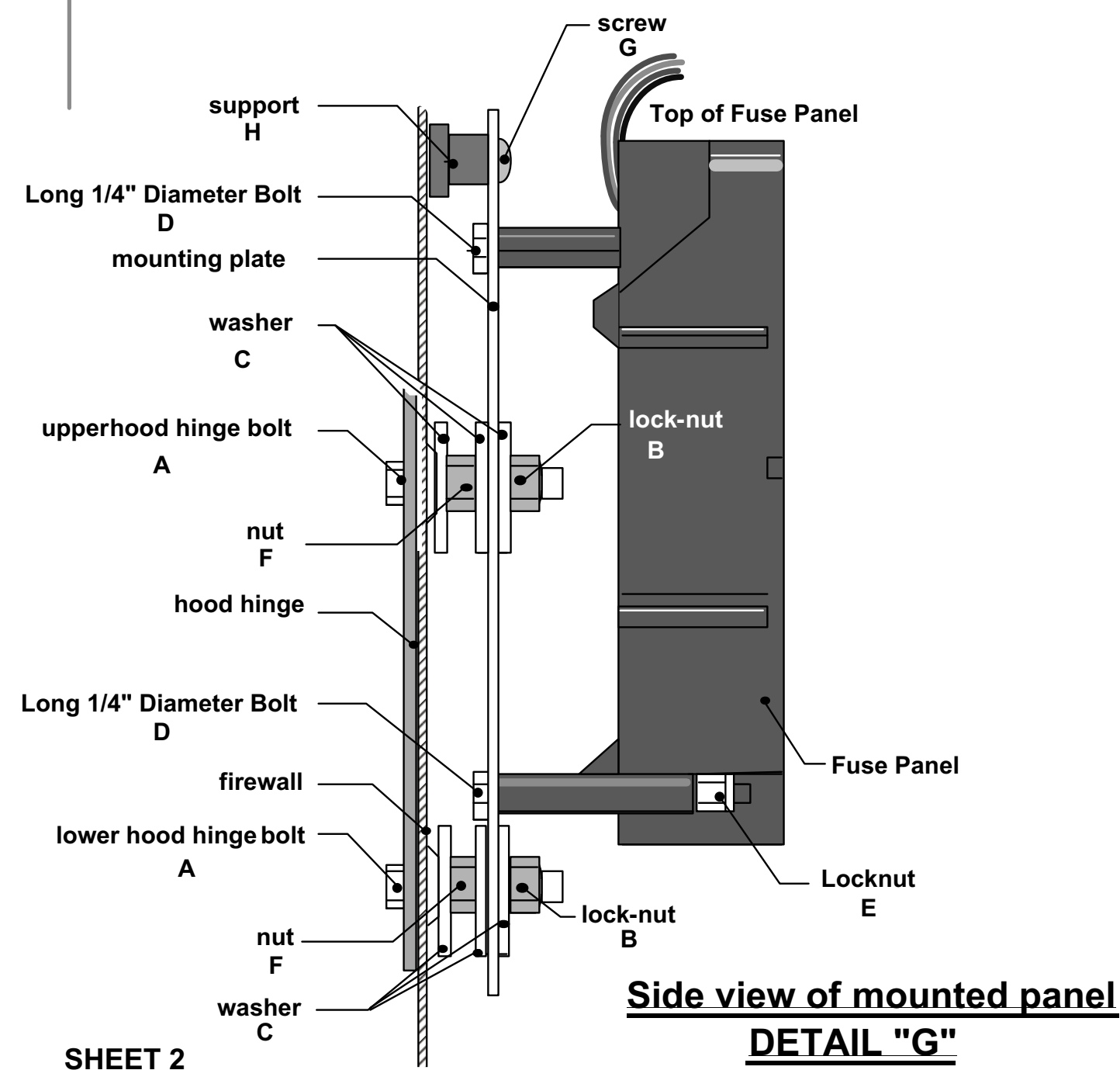
It is recommended that the hood hinge bolts be replaced one at a time as follows:

1. Remove the upper driver side hood hinge bolt from the firewall.
2. Install bolt "A" into the existing hood hinge bolt hole.
3. Repeat for lower hinge bolt.
4. Insert 2 bolts "D" into holes "Z", as shown in details "A", "B", & "C".
5. Install fuse panel onto bolts "D", and secure using lock-nuts "E". Be sure to mount fuse panel as shown in detail "A", "B", & "C", with the large bundle of wires exiting the top of the fuse panel.
6. Install washer "C" on each bolt "A".
7. Install mounting plate assembly onto bolts "A", using holes "Y".
8. Install washer "C" and lock nut "B" to complete the plate installation.

Your fuse panel is now installed!



DETAIL "B"

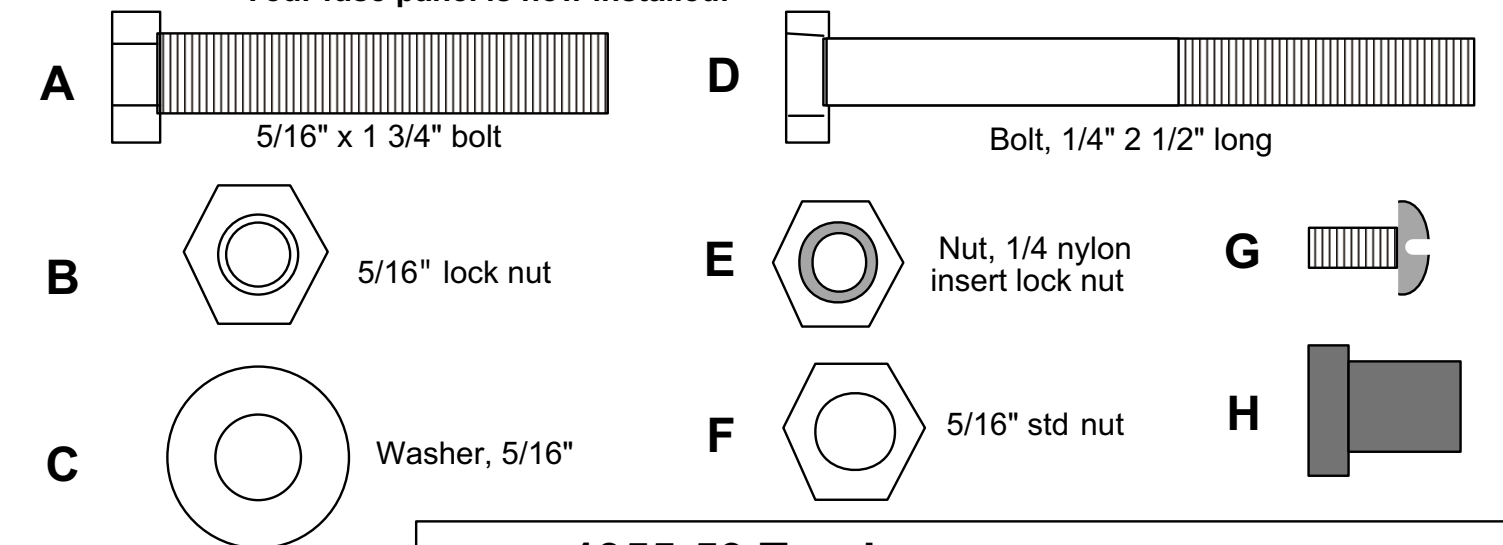


Mounting Fuse Panel and mounting plate 1958-1959 ONLY

It is recommended that the hood hinge bolts be replaced one at a time as follows:

1. Remove the upper driver side hood hinge bolt from the firewall.
2. Install bolt "A" into the existing hood hinge bolt hole.
3. Repeat for lower hinge bolt.
4. Insert 2 bolts "D" into holes "Z", as shown in details "A", "B", & "G".
5. Install fuse panel onto bolts "D", and secure using lock-nuts "E". Be sure to mount fuse panel as shown in detail "A", "B", & "G", with the large bundle of wires exiting the top of the fuse panel.
6. Install screw "G" and support "H" into hole "W", as shown in detail.
7. Install washer "C" on each bolt "A".
8. Install non-locking nut "F" on bolt "A".
9. Install washer "C" on bolt "A".
10. Install mounting plate assembly onto bolts "A", using holes "X".
11. Install washer "C" and lock nut "B" to complete the plate installation.

Your fuse panel is now installed!



another wiring product by...

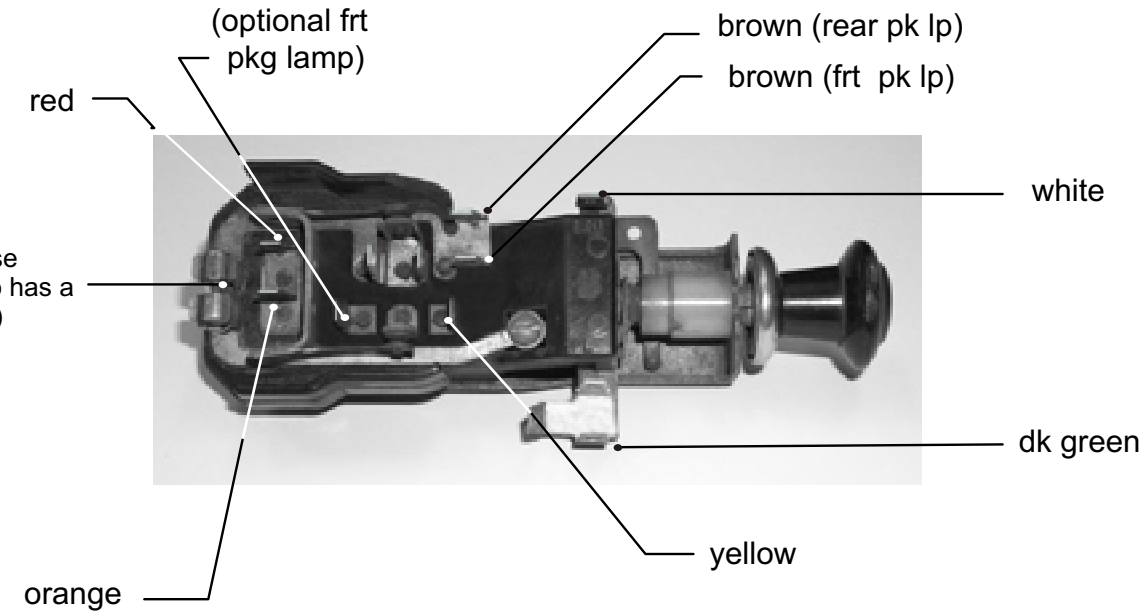
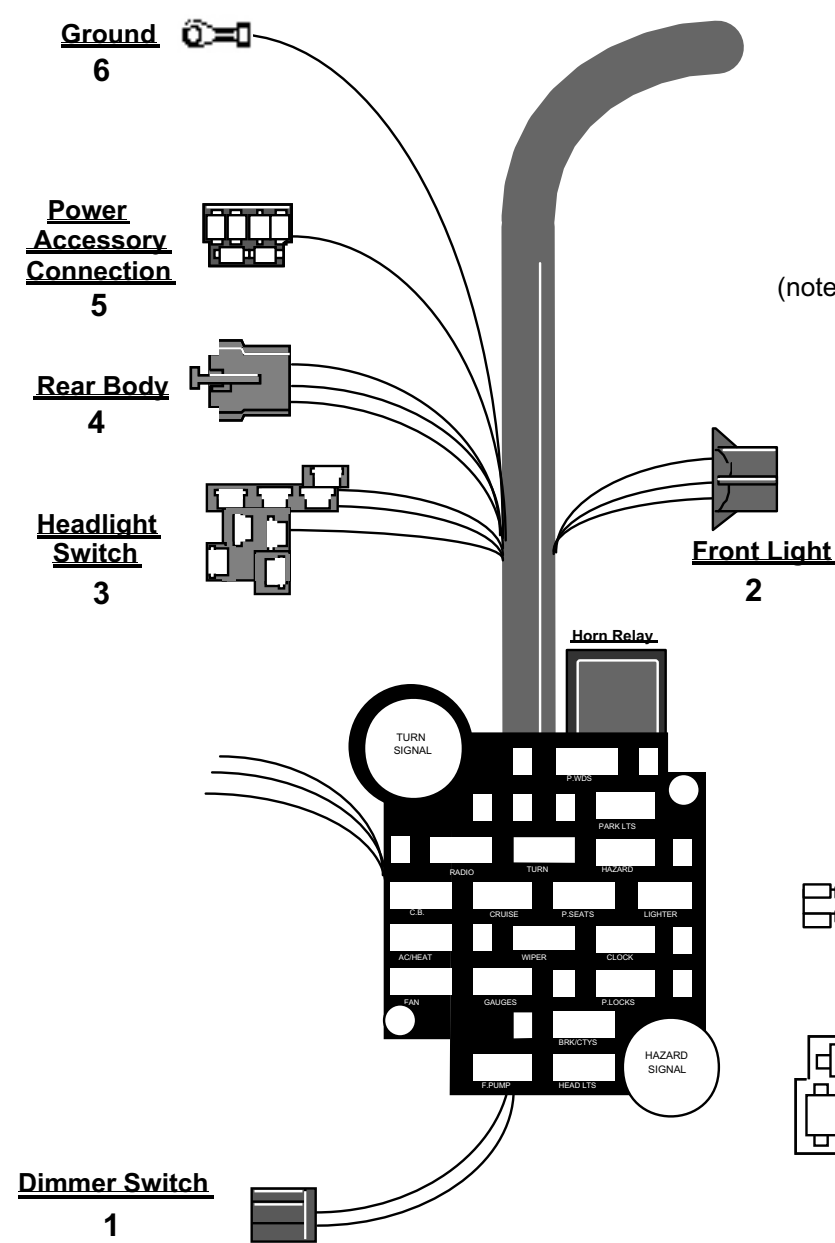


150 Heller Pl #17 W Bellmawr, NJ 08031 856-933-9301

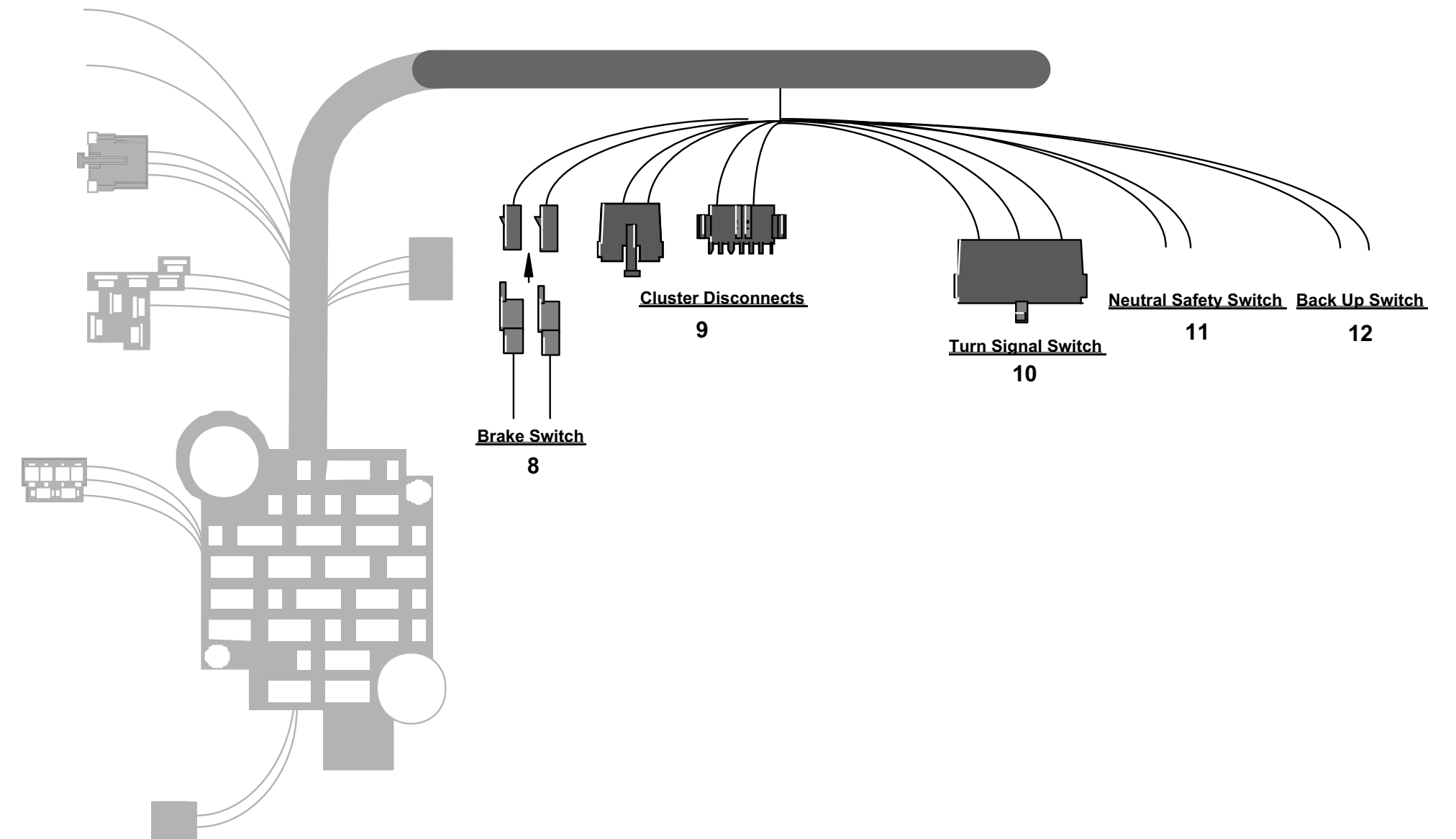
SHEET 2

1955-59 Truck
Custom Fuse Panel Harness **500482**

92965278 instruction sheet Rev 5.0 3/24/03 SR



Original Headlight Switch Connections
 We strongly recommend using the headlight switch which we supply in this wiring kit. If you choose to use an original style switch, connect as shown on the above photo. In this connection set-up, the front parking lamps will stay on when the headlights are on. To have the parking lamps turn off when headlights are on, move the brown (frt pk lp) wire to the optional frt parking lamp position shown above.

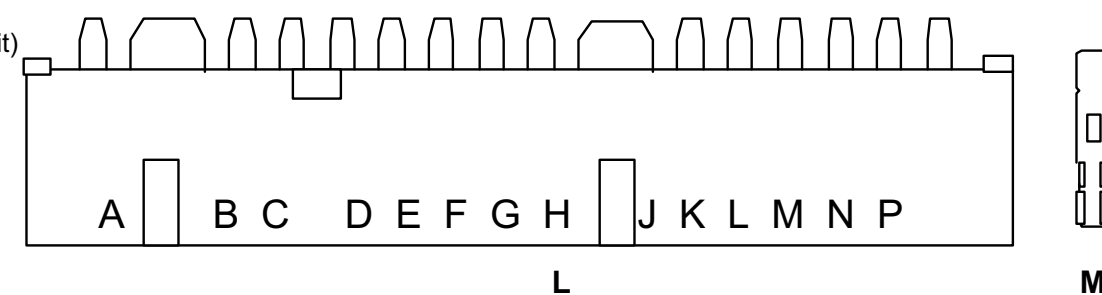


Note: Terminals are provided for most connections on your wiring kit. Use the provided terminals and connectors to install the following wires:

1	DIMMER SWITCH	Yellow Tan Lt Green	12 volt feed to dimmer switch Lo beam feed from dimmer switch Hi Beam feed from dimmer switch
2	FRONT LIGHT	This connector will mate to the connector from the Front Light harness found in bag L. Tan Light Green Brown Light Blue Dark Blue Dark Green Orange	Lo beam feed to headlight bulb Hi beam feed to headlight bulb Parking lamp feed to parking lamps LH turn feed RH turn feed Horn feed Electric fan feed
3	HEADLIGHT SWITCH	NOTE: For use of stock headlight switch, see photo above. Red Orange Brown Yellow Dk Green White	12 volt feed to switch 12 volt feed "in" to park/tail Park / tail feed "out" Dimmer feed Instrument lamp feed Dome / courtesy ground "BAT" location on headlight switch "PARK / TAIL FEED IN" location on headlight switch. (commonly found on GM headlight switches) "PARK / TAIL FEED OUT" location on headlight switch. "DIMMER FEED" location on headlight switch. "INSTRUMENT LAMP" location on headlight switch. "GROUND" location on headlight switch.
4	REAR BODY	This connector will mate to the connector from the Rear Body Intermediate harness found in bag M. Tan Brown Yellow Dark Green Orange White Light Green Light Blue	Fuel tank sender lead Tail lamp feed LH turn / brake feed RH turn / brake feed Dome / courtesy lamp feed Dome / courtesy lamp ground Back up lamp feed Third brake lamp feed
5	POWER ACCESSORIES	Use the provided connector R and terminals S if you wish to connect to the accessory connector. Dark Blue Orange Red Pink Yellow Tan	Fused 12 volt ignition feed for fuel pump (may also be used to feed power to another accessory circuit) Fused 12 volt battery feed for power seats (may also be used to feed power to another accessory circuit) Fused 12 volt battery feed for power door locks (may also be used to feed power to another accessory circuit) Fused 12 volt ignition feed for cruise control (may also be used to feed power to another accessory circuit) Fused 12 volt battery feed for power windows (may also be used to feed power to another accessory circuit) Fused 12 volt ignition CB radio feed (may also be used to feed power to another accessory circuit)
6	GROUND	Black	This wire is the ground for the instrument cluster. Connect it to a good chassis ground.

Note: Terminals are provided for most connections on your wiring kit. Use the provided terminals and connector to install the following wires:

8	BRAKE SWITCH	Orange White Light Blue	Plug the wires from the Brake Switch Connection bag into this location, following the instructions enclosed in that bag. 12 volt feed to brake switch 12 volt out from brake switch to turn signal switch. 12 volt out from brake switch to third brake light.
9	GAUGE DISCONNECT		These connectors will plug into the gauge disconnect from the Cluster harness, bag H. Each wire function is described on the instruction sheet from bag H.
10	TURN SIGNAL SWITCH	White Dark Green Yellow Purple Brown Dark Blue Light Blue Black	This harness has a connector on it for the more common 1969-1974 GM column connection used by GM and most after market manufacturers. If you are using a 4-1/4 GM column connector, simply replace your existing column connector with connector L below by removing the existing terminals as shown in the Detail E photo on sheet 4. If you are using a turn signal switch which does not have a connector that plugs into the connector on our harness, install connector L and terminals M on your turn signal wires, and then plug connector L (see below) into our harness. See Detail F for connecting to a stock turn signal switch. 12 volt feed from brake switch RH tail lamp LH tail lamp 12 volt feed from turn flasher 12 volt feed from hazard flasher RH front park lamp LH front park lamp Horn relay ground wire to horn switch
11	NEUTRAL SAFETY	Purple Purple	12 volt feed from ignition switch 12 volt feed to starter (These wires MUST be connected to a neutral safety switch for an automatic transmission, or connected together for a manual transmission car, for the starter to operate correctly.)
12	BACK UP SWITCH	Pink Light Green	12 volt ignition power to switch 12 volt power out to back up lights, from switch.



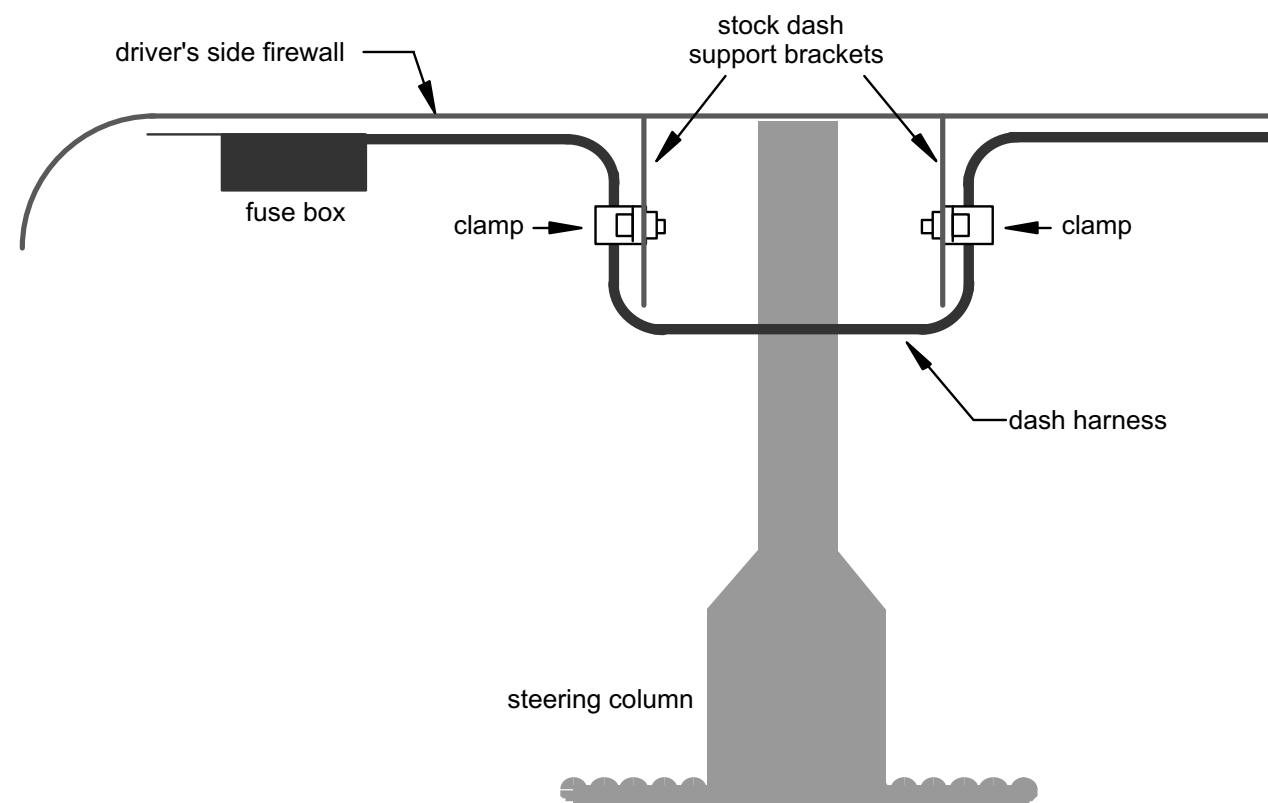
SHEET 3

another wiring product by...



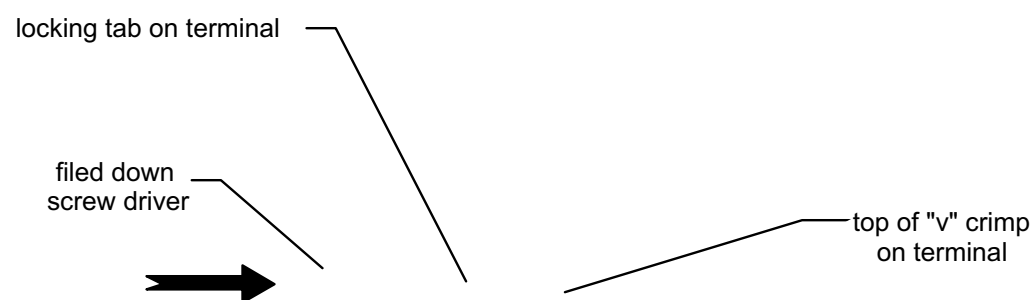
150 Heller Pl #17 W Bellmawr, NJ 08031 856-933-0801

1955-59 Truck
Custom Fuse Panel Harness 500482
 92965278 instruction sheet Rev 5.0 3/24/03 SR



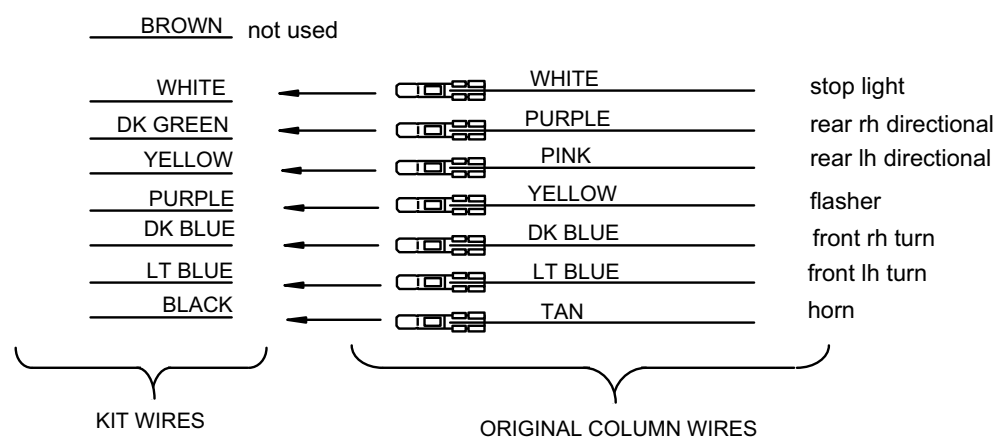
DETAIL "D"

Two clamps are included for use on the dash wiring. These should be mounted as shown above, on the dash panel support brackets. Be sure that the wiring does not contact any moving parts from the wiper system.



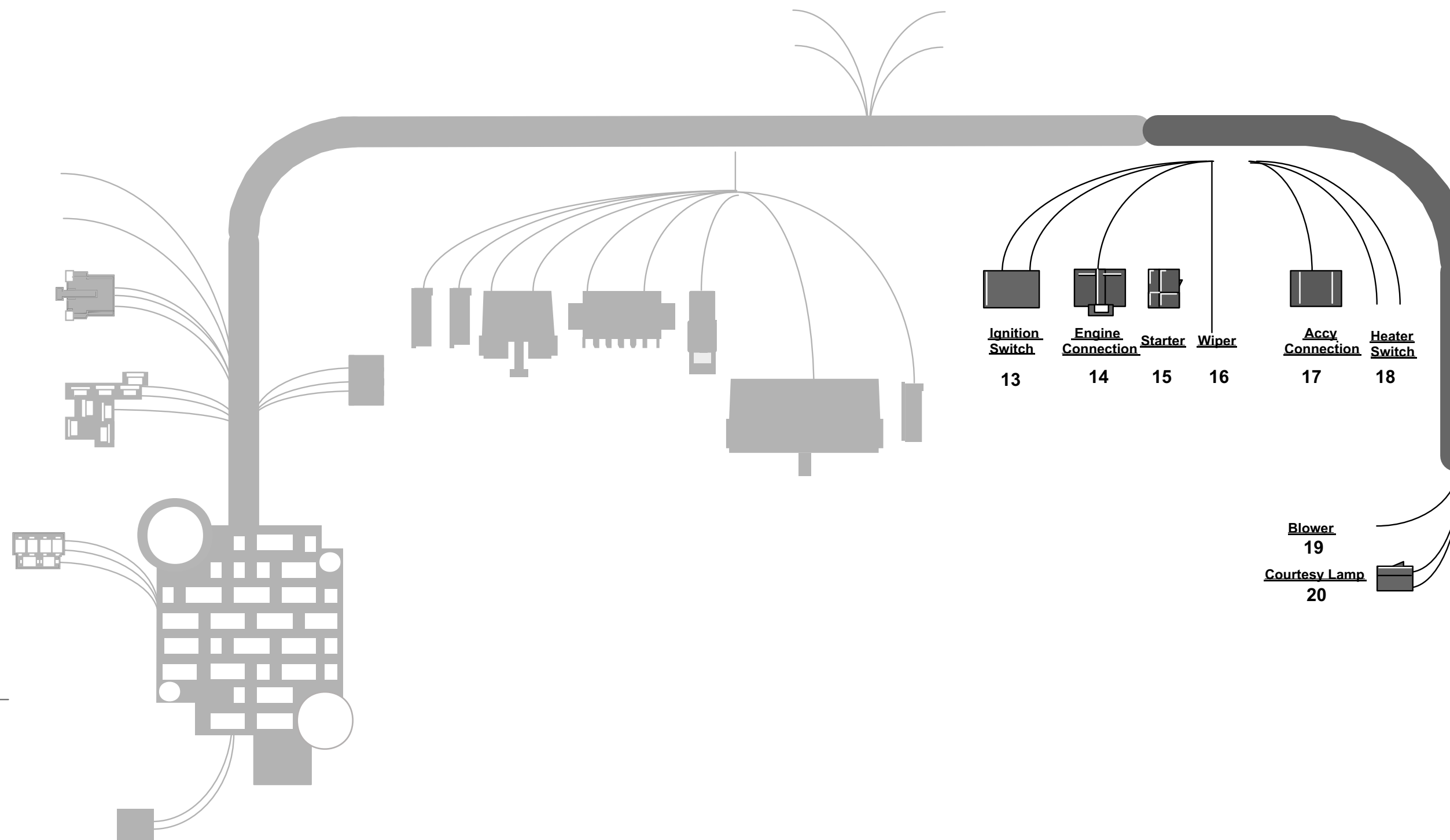
DETAIL "E"

REMOVAL OF STEERING COLUMN TERMINAL FROM A 4-1/4" GM COLUMN CONNECTOR (reference sheet 3)
 To remove terminal, locate the crimped end of terminal, and look for the "v" side of crimp. This is the same side that the locking tab is located on the terminal. From the opposite end of connector, insert a thin, filed down screwdriver into the cavity to collapse the locking tang. Gently pull wire from behind and the terminal will release.
 To re-install, simply pull the locking tab up into position and insert the terminal in the new connector.



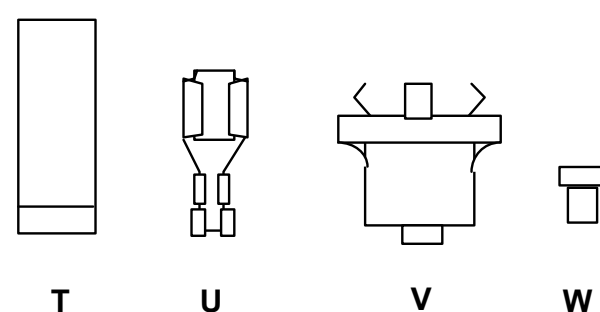
DETAIL "F"

Stock Turn Signal Wires - to - Kit



Note: Terminals are provided for most connections on your wiring kit. Use the provided terminals and connector to install the following wires:

- | | | | |
|----|----------------------|--------------------------------|--|
| 13 | IGNITION SWITCH | Red
Pink
Purple
Brown | 12 volt battery feed to switch
12 volt ignition feed from ignition switch to fuse panel
Starter solenoid feed wire
Accessory feed wire from ignition switch to fuse panel |
| 14 | ENGINE CONNECTION | | This connector will plug into the mating connector on the Engine harness, bag J. Wire identifications are described on the Instruction sheets from bag J. |
| 15 | STARTER CONNECTION | | This connector will plug into the mating connector from the Engine harness, bag J. |
| 16 | WIPER | White | This is a 12 volt feed wire for the wiper circuit. For an aftermarket wiper system, consult wiper manufacturer for proper hook up. NOTE: Check for proper grounding of wiper motor assembly. |
| 17 | ACCY CONNECTOR | Red
Yellow
Orange
Tan | This connector can be used for many different functions. Supplied in this kit is a mating connector and terminated wires for your use. Install the wires maintaining color continuity with the wires on our harness. We recommend the following:
Cigarette lighter - fused battery.
Radio 12 volt - fused battery.
Glove box - fused battery.
Radio 12 volt fused accessory. |
| 18 | HEATER SWITCH | Brown
Orange
Grey | Use provided connector T and terminal U (see below) to connect to an OEM style heater switch assembly for the brown and orange wires listed below. Use lamp socket V and rivet W for the OEM heater lamp.
Fused 12 volt feed to heater / ac switch
12 volt power from heater / ac switch to blower
Heater control lamp - fused battery. |
| 19 | HEATER/AC BLOWER MTR | Orange | Feed from heater / ac switch to blower |
| 20 | COURTESY LAMP | White
Orange | This connector plugs into the mating connector for the courtesy lamp kit 500472. (Bag N)
Dome / courtesy lamp ground, to door jamb switch
12 volt battery feed to courtesy lamp. |



SHEET 4

another wiring product by...



150 Heller Pl #17 W. Bellmawr, NJ 08031 856-633-0801

1955-59 Truck Custom Fuse Panel Harness 500482

92965278 instruction sheet Rev 5.0 3/24/03 SR