

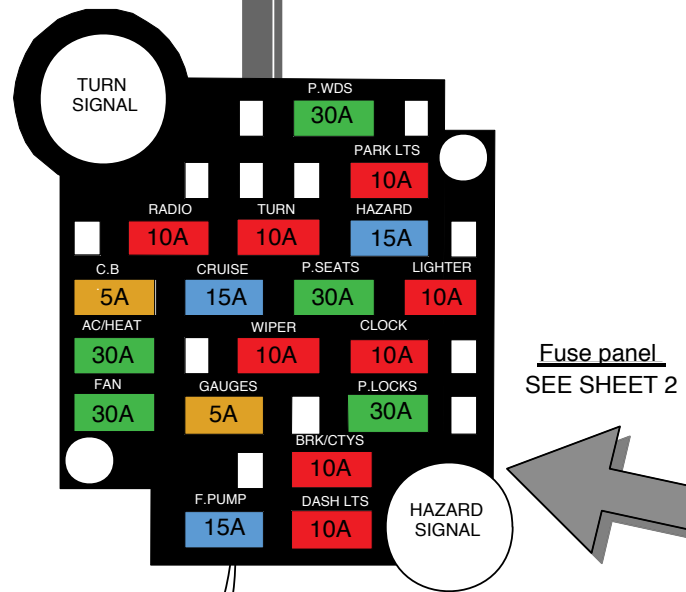
Fuse Panel Installation Instructions

Following these simple instructions will guarantee a successful installation of your American Autowire Fuse Panel Harness.

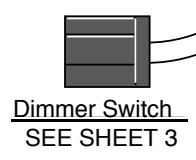
The order of installation will be as follows:

1. Install the fuse box and mounting plate (see sheet 2)
2. Route fuse panel harness in dash area. Installation clamps are provided, as shown in detail "D" on sheet 4.
3. Make all dash connections as shown in this Fuse Panel Installation sheet.
4. Starting with bag "H", install all other wiring bags as per the letter designation on instruction sheets. (bags H,J,K,L,M).

Let's begin your installation of this Fuse Panel harness. Study the diagram above, and follow the installation procedures on the following pages!



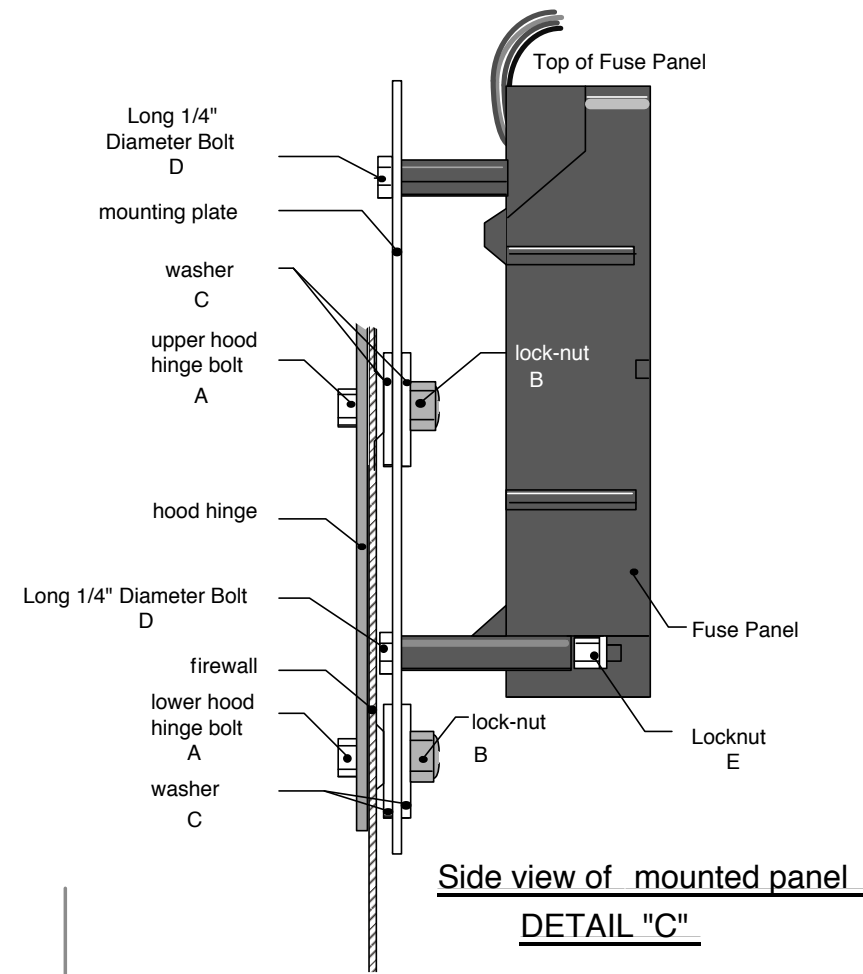
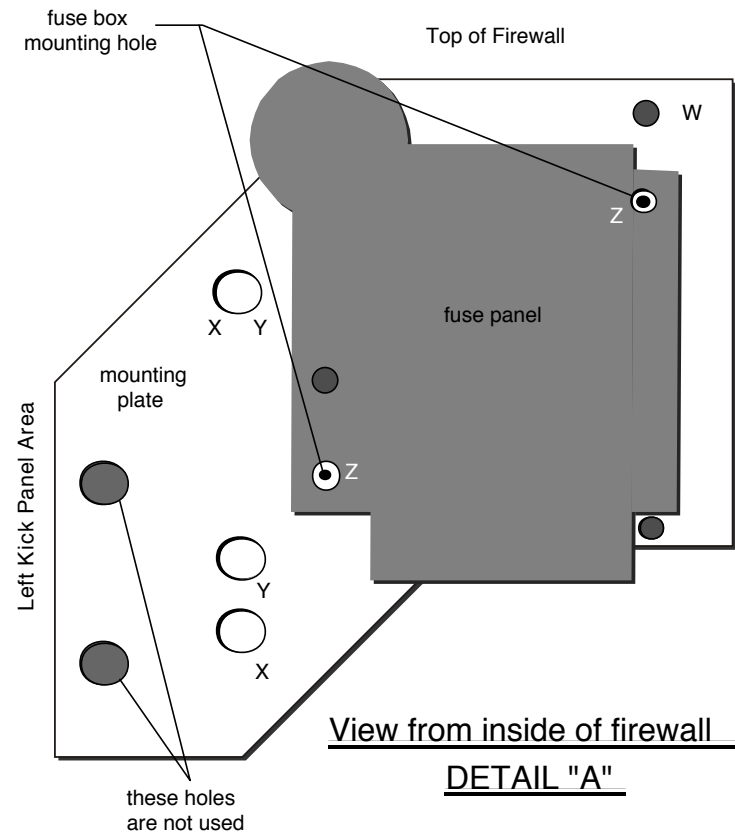
RECOMMENDED FUSE CIRCUIT RATINGS			
PARK LIGHTS	10 AMP	CRUISE	15 AMP
HAZARD	15 AMP	CLOCK	10 AMP
BRAKE LIGHTS	10 AMP	LIGHTER	10 AMP
DASH LIGHTS	10 AMP	FUEL PUMP	15 AMP
TURN SIGNAL	10 AMP	POWER SEAT	30 AMP
WIPER	10 AMP	POWER LOCK	30 AMP
GAUGE	5 AMP	POWER WINDOWS	30 AMP
C.B. RADIO	5 AMP		
A/C / HEATER	30 AMP		
RADIO	10 AMP		
FAN	30 AMP		



PART # **500482** **G**

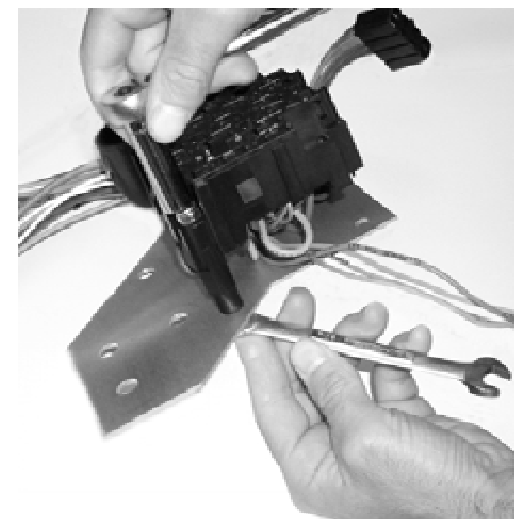
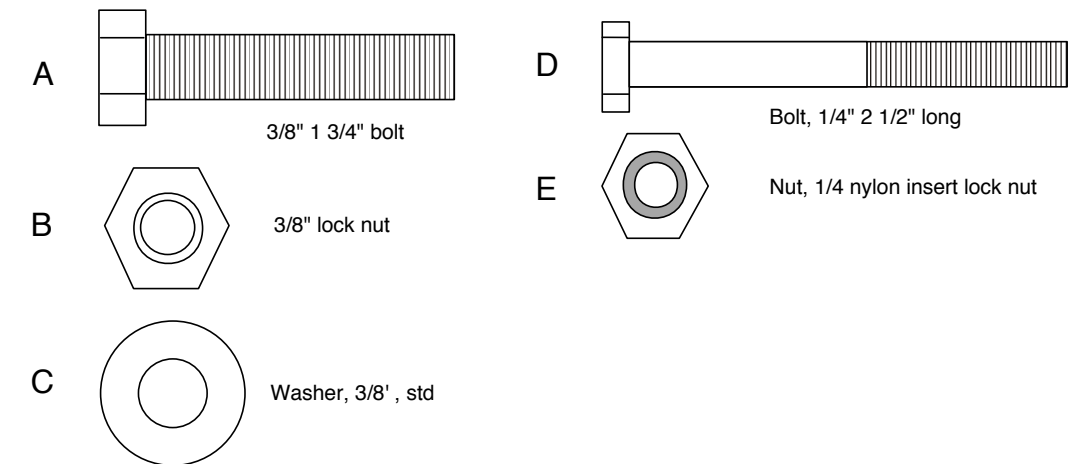
DESCRIPTION:
1955-59 Chevy/GMC Truck
 Custom Fuse Panel Harness

92965278 Rev 7.0 6/5/2014 DB

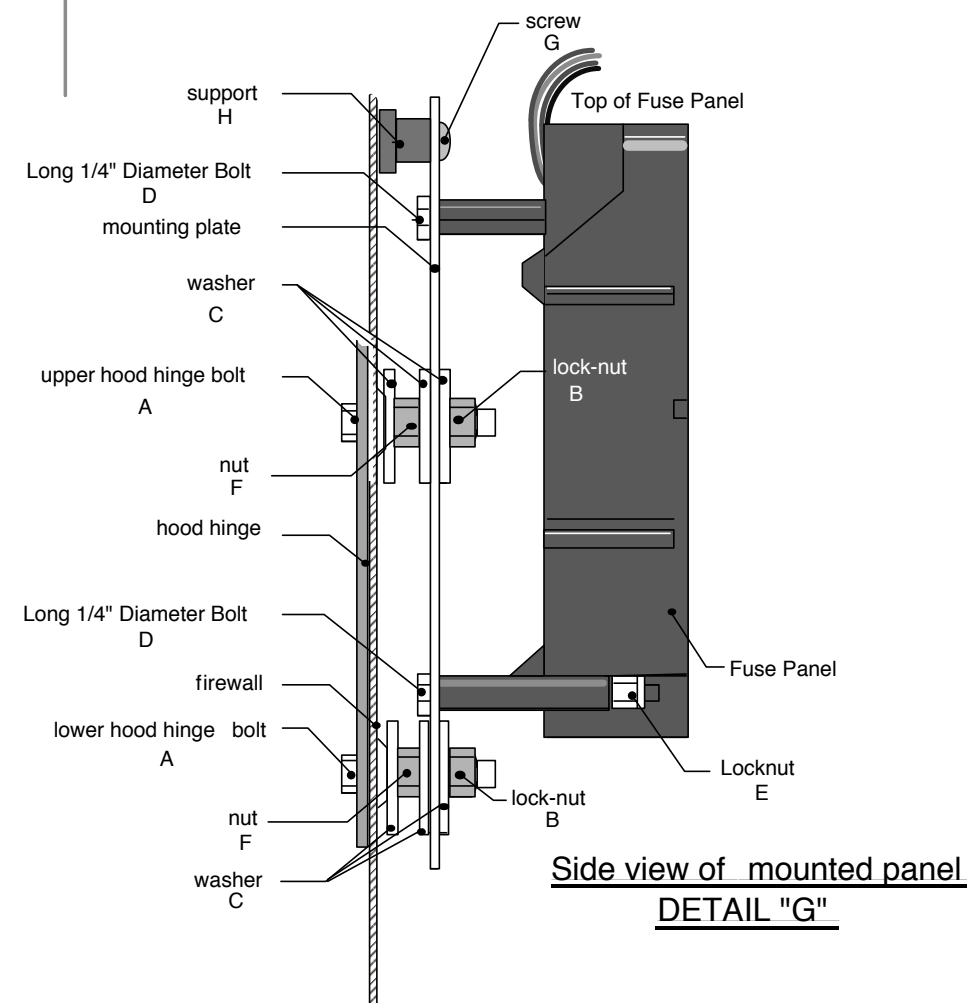


Mounting Fuse Panel and mounting plate 1955-1957 ONLY

- It is recommended that the hood hinge bolts be replaced **one at a time** as follows:
1. Remove the upper driver side hood hinge bolt from the firewall.
 2. Install bolt "A" into the existing hood hinge bolt hole.
 3. Repeat for lower hinge bolt.
 4. Insert 2 bolts "D" into holes "Z", as shown in details "A", "B", & "C".
 5. Install fuse panel onto bolts "D", and secure using lock-nuts "E" (this is best to done using a 1/4" drive, 6 point deep well socket and extension). Be sure to mount fuse panel as shown in detail "A", "B", & "C", with the large bundle of wires exiting the top of the fuse panel.
 6. Install washer "C" on each bolt "A".
 7. Install mounting plate assembly onto bolts "A", using holes "Y".
 8. Install washer "C" and lock nut "B" to complete the plate installation.
- Your fuse panel is now installed!

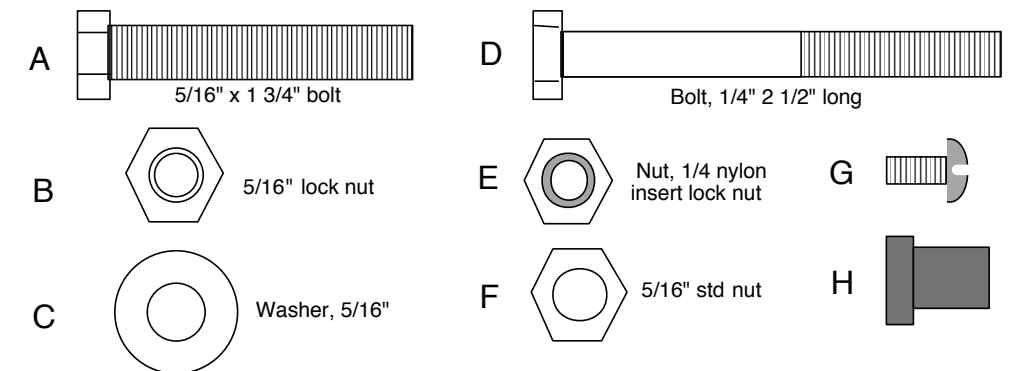


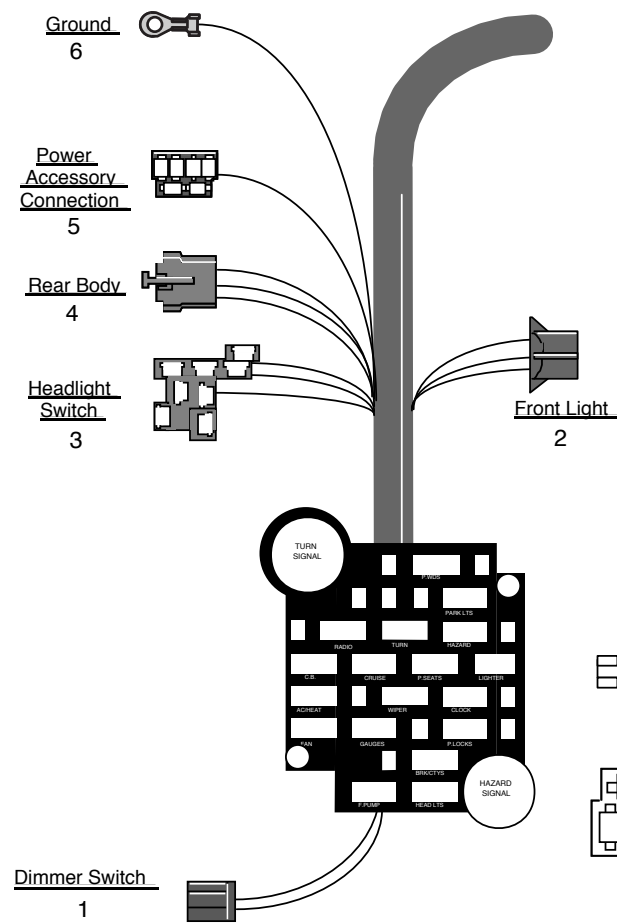
DETAIL "B"



Mounting Fuse Panel and mounting plate 1958-1959 ONLY

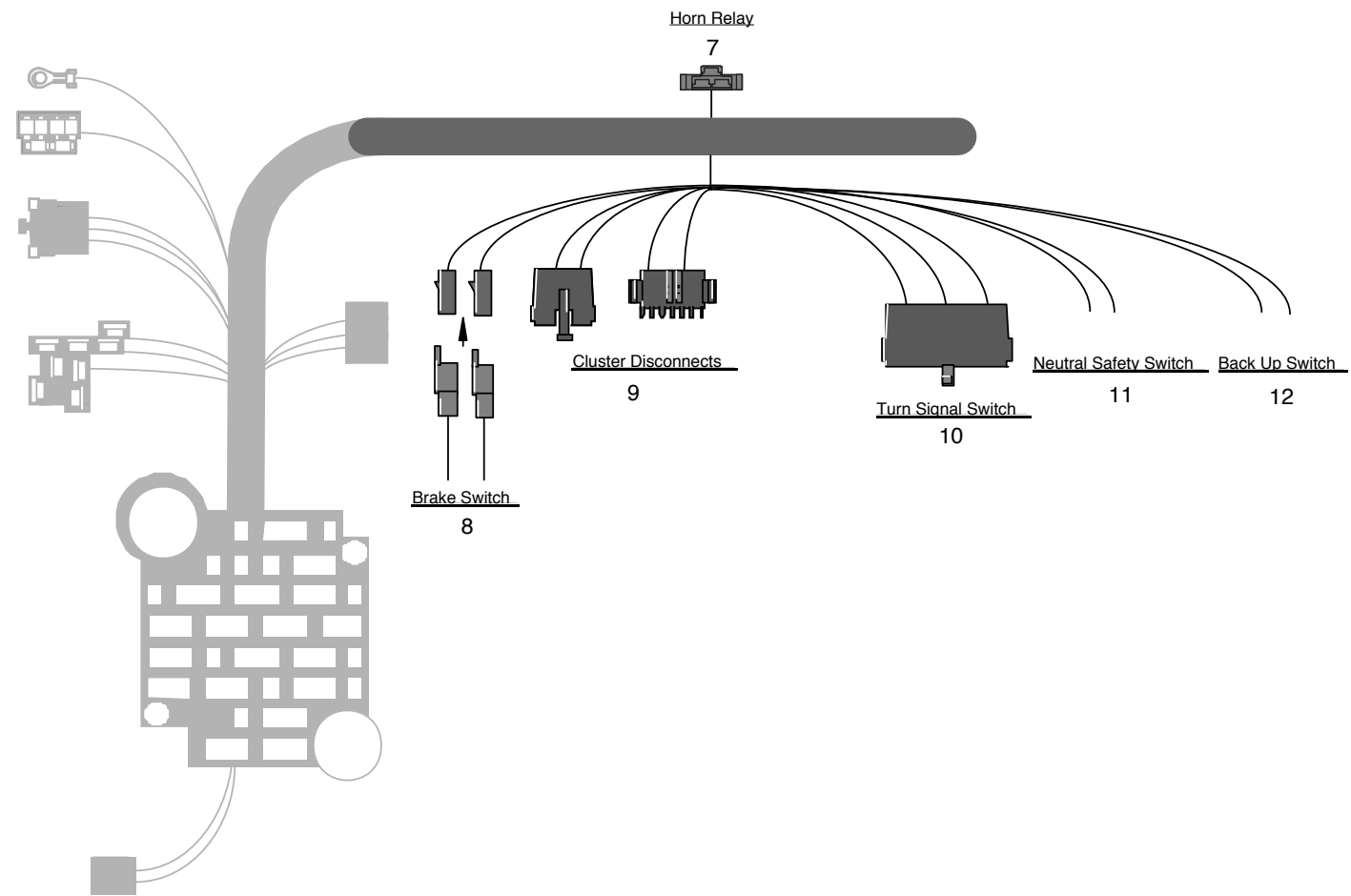
- It is recommended that the hood hinge bolts be replaced **one at a time** as follows:
1. Remove the upper driver side hood hinge bolt from the firewall.
 2. Install bolt "A" into the existing hood hinge bolt hole.
 3. Repeat for lower hinge bolt.
 4. Insert 2 bolts "D" into holes "Z", as shown in details "A", "B", & "G".
 5. Install fuse panel onto bolts "D", and secure using lock-nuts "E". (this is best to done using a 1/4" drive, 6 point deep well socket and extension). Be sure to mount fuse panel as shown in detail "A", "B", & "G", with the large bundle of wires exiting the top of the fuse panel.
 6. Install screw "G" and support "H" into hole "W", as shown in detail.
 7. Install washer "C" on each bolt "A".
 8. Install non-locking nut "F" on bolt "A".
 9. Install washer "C" on bolt "A".
 10. Install mounting plate assembly onto bolts "A", using holes "X".
 11. Install washer "C" and lock nut "B" to complete the plate installation.
- Your fuse panel is now installed!





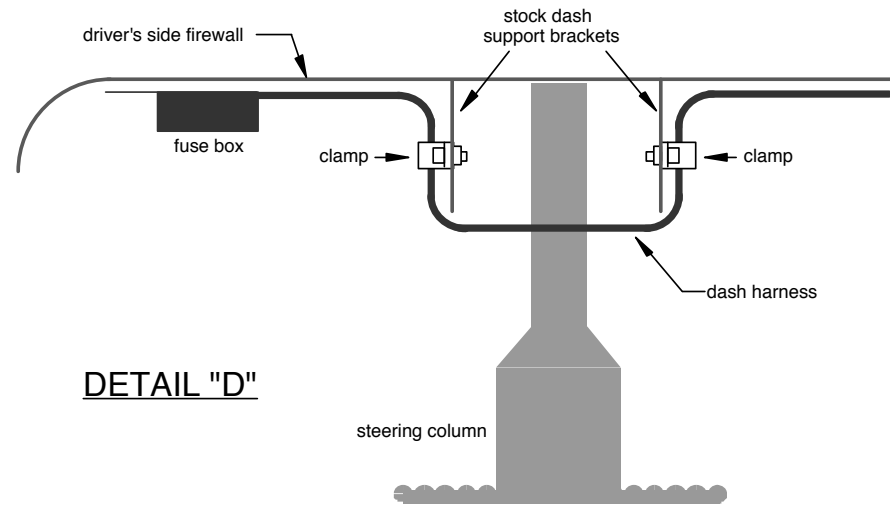
Note: Terminals are provided for most connections on your wiring kit. Use the provided terminals and connectors to install the following wires:

1	DIMMER SWITCH	Yellow Tan Lt Green	12 volt feed to dimmer switch Lo beam feed from dimmer switch Hi Beam feed from dimmer switch
2	FRONT LIGHT	This connector will mate to the connector from the Front Light harness found in bag L. Tan Light Green Brown Light Blue Dark Blue Dark Green Orange	Lo beam feed to headlight bulb Hi beam feed to headlight bulb Parking lamp feed to parking lamps LH turn feed RH turn feed Horn feed Electric fan feed
3	HEADLIGHT SWITCH	NOTE: For use of stock headlight switch, see photo above. Red Orange Brown Yellow Dk Green White	12 volt feed to switch 12 volt feed "in" to park/tail Park / tail feed "out" Dimmer feed Instrument lamp feed Dome / courtesy ground "BAT" location on headlight switch "PARK / TAIL FEED IN" location on headlight switch. (commonly found on GM headlight switches) "PARK / TAIL FEED OUT" location on headlight switch. "DIMMER FEED" location on headlight switch. "INSTRUMENT LAMP" location on headlight switch. "GROUND" location on headlight switch.
4	REAR BODY	This connector will mate to the connector from the Rear Body Intermediate harness found in bag M. Tan Brown Yellow Dark Green Orange White Light Green Light Blue	Fuel tank sender lead Tail lamp feed LH turn / brake feed RH turn / brake feed Dome / courtesy lamp feed Dome / courtesy lamp ground Back up lamp feed Third brake lamp feed
5	POWER ACCESSORIES	Use the provided connector R and terminals S if you wish to connect to the accessory connector. Dark Blue Orange Red Pink Yellow Tan	Fused 12 volt ignition feed for fuel pump (may also be used to feed power to another accessory circuit) Fused 12 volt battery feed for power seats (may also be used to feed power to another accessory circuit) Fused 12 volt battery feed for power door locks (may also be used to feed power to another accessory circuit) Fused 12 volt ignition feed for cruise control (may also be used to feed power to another accessory circuit) Fused 12 volt battery feed for power windows (may also be used to feed power to another accessory circuit) Fused 12 volt ignition CB radio feed (may also be used to feed power to another accessory circuit)
6	GROUND	Black	This wire is the ground for the instrument cluster. Connect it to a good chassis ground.



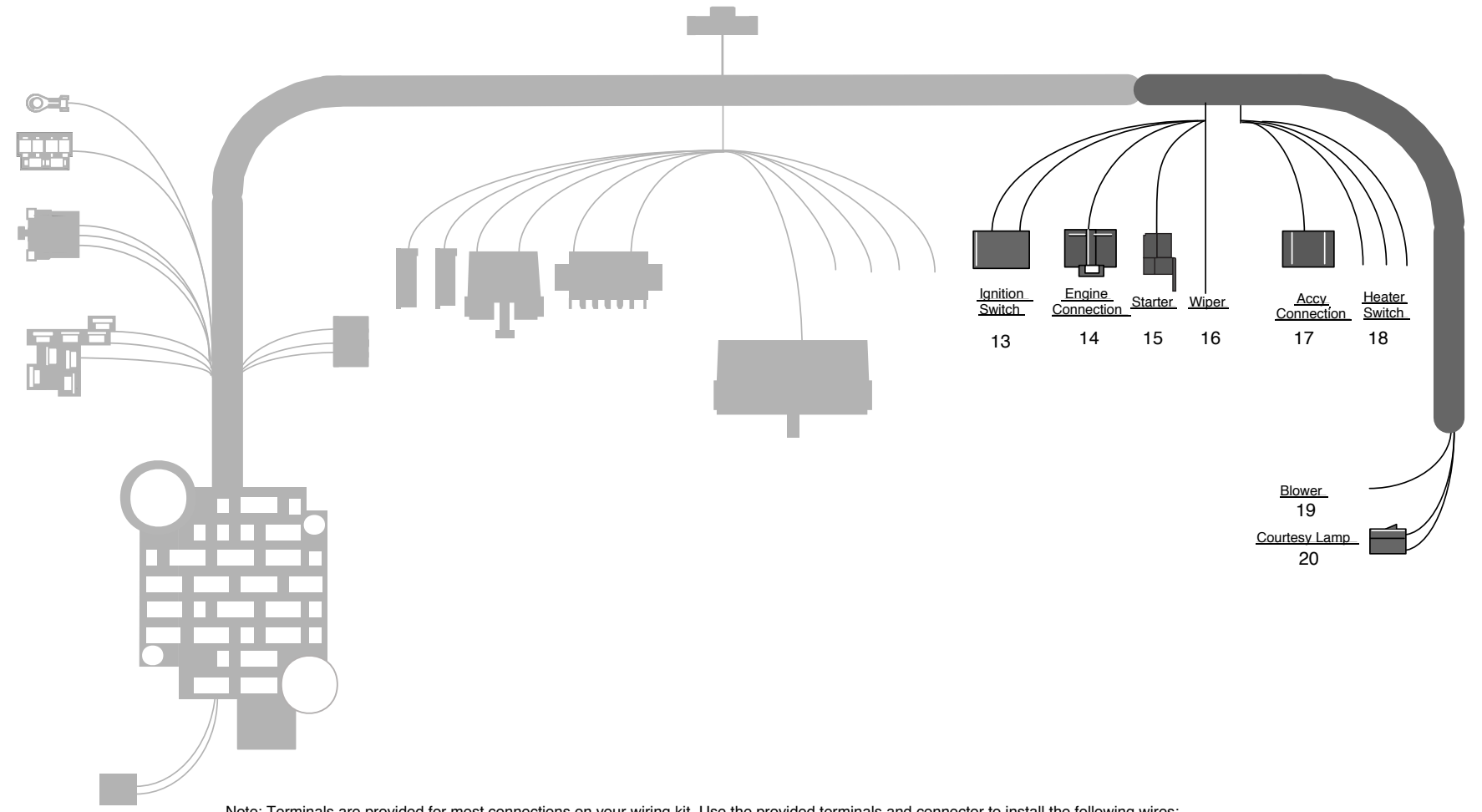
Note: Terminals are provided for most connections on your wiring kit. Use the provided terminals and connector to install the following wires:

7	HORN RELAY	Red Black Dark Green	Plug the horn relay (found in the 510565 fuse kit) into this connector. 12 volt battery feed. Relay ground circuit (to steering column). Triggered 12 volts to horn.
8	BRAKE SWITCH	Orange White Light Blue	Plug the wires from the Brake Switch Connection bag into this location, following the instructions in that bag. 12 volt feed to brake switch. 12 volt out from the brake switch to the turn signal switch. 12 volt out from the brake switch to the third brake light.
9	GAUGE DISCONNECT		These connectors will plug into the gauge disconnect from the Cluster harness, bag H. Each wire function is described on the instruction sheet from bag H.
10	TURN SIGNAL SWITCH	White Dark Green Yellow Purple Brown Dark Blue Light Blue Black	Plug into steering column turn signal connection. If you are using a stock '55-'59 truck steering column in your truck, please refer to "Table A - AAW Turn Signal Switch wires to stock 1955-59 Chevy & GMC Truck turn signal switch" on page 4 for proper mating directions. Our connector mates to a 3 7/8 inch long plug used on 1969-1974 GM, IDIDIT, and many other aftermarket steering columns. Starting from 1975 on up, the GM switch changed and began using a 4 1/4 inch connector. That connector is from the same family and uses the same terminals. By using the supplied mating connector and terminals located in the loose piece kit bag of the dash harness (500482, bag G), it is easy to adapt any steering column to this kit. The function of the wires are as follows: 12 volt feed from brake switch RH tail lamp LH tail lamp 12 volt feed from turn flasher 12 volt feed from hazard flasher RH front park lamp LH front park lamp Horn relay ground wire to horn switch
11	NEUTRAL SAFETY	Purple Purple	12 volt feed from ignition switch 12 volt feed to starter (These wires MUST be connected to a neutral safety switch for an automatic transmission, or connected together for a manual transmission car, for the starter to operate correctly.)
12	BACK UP SWITCH	Pink Light Green	12 volt ignition power to switch 12 volt power out to back up lights, from switch.



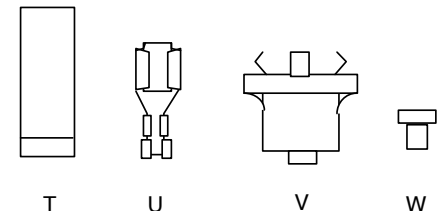
DETAIL "D"

Two clamps are included for use on the dash wiring. These should be mounted as shown above, on the dash panel support brackets. Be sure that the wiring does not contact any moving parts from the wiper system.



Note: Terminals are provided for most connections on your wiring kit. Use the provided terminals and connector to install the following wires:

13	IGNITION SWITCH	Red Pink Purple Brown	12 volt battery feed to switch 12 volt ignition feed from ignition switch to fuse panel Starter solenoid feed wire Accessory feed wire from ignition switch to fuse panel
14	ENGINE CONNECTION		This connector will plug into the mating connector on the Engine harness, bag J. Wire identifications are described on the instruction sheets from bag J.
15	STARTER CONNECTION		This connector will plug into the mating connector from the Engine harness, bag J.
16	WIPER	White	This is a 12 volt feed wire for the wiper circuit. For an aftermarket wiper system, consult wiper manufacturer for proper hook up. NOTE: Check for proper grounding of wiper motor assembly.
17	ACCY CONNECTOR	Red Yellow Orange Tan	This connector can be used for many different functions. Supplied in this kit is a mating connector and terminated wires for your use. Install the wires maintaining color continuity with the wires on our harness. We recommend the following: Cigarette lighter - fused battery. Radio 12 volt - fused battery. Glove box - fused battery. Radio 12 volt fused accessory.
18	HEATER SWITCH	Brown Orange Grey	Use provided connector T and terminal U (see below) to connect to an OEM style heater switch assembly for the brown and orange wires listed below. Use lamp socket V and rivet W for the OEM heater lamp. Fused 12 volt feed to heater / ac switch 12 volt power from heater / ac switch to blower Heater control lamp - fused battery.
19	HEATER/AC BLOWER MTR	Orange	Feed from heater / ac switch to blower
20	COURTESY LAMP	White Orange	This connector plugs into the mating connector for the courtesy lamp kit 500472. (Bag N) Dome / courtesy lamp ground, to door jamb switch 12 volt battery feed to courtesy lamp.

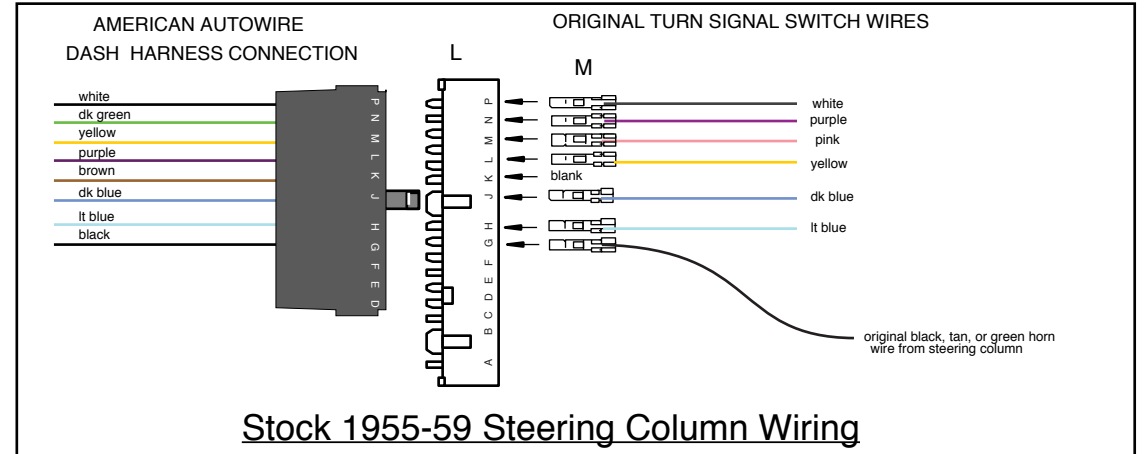


"Table A"

AAW Turn Signal Switch wires to stock 1955-59 Chevy & GMC Truck turn signal switch.

AAW Wire #	AAW Wire color	AAW Wire Printing	Stock Corvette Wire Color
14A,B	Light Blue	Left Front Turn	Light Blue
15A,B	Dark Blue	Right Front Turn	Dark Blue
16B	Purple	Turn Switch Feed	Yellow
17A,B	White & Blue	Brake Switch	White
18	Yellow	Left Rear Turn	Pink
19	Dark Green	Right Rear Turn	Purple
27B	Brown	Turn Sw - Hazard	Not applicable
28	Black	Horn Relay Ground	Black, Tan, or Dk. Green

NOTE: The stock 1955-59 Truck turn signal switches did not have a horn ground wire located in them. That wire was a separate wire that was attached to the steering column upper mast jacket bushing and came out through an opening in the steering column. That wire was typically black, tan, or dark green and had a small male blade crimped onto it. If you are using the factory steering column in your car, crimp one of the loose piece terminals M found in the loose piece kit of the 500482 dash harness onto that wire, and plug it into the adapter L when building your turn signal switch adapter to complete the horn ground circuit.



Stock 1955-59 Steering Column Wiring



www.americanautowire.com 856-9233-0801

1955-59 Truck Custom Fuse Panel Harness **500482**
 92965278 Rev 7.0 6/5/2014 DB