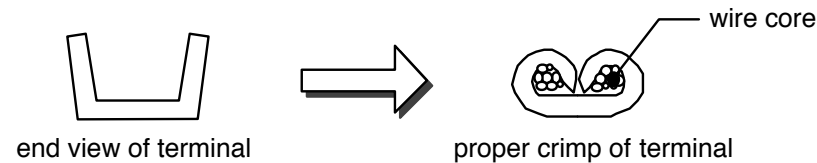


INSTALLATION INSTRUCTIONS

This system is a 12 volt system designed to work with 12 volt accessories. Any 6 volt accessories need to be converted to 12 volt before installation of the wiring. This wiring kit is designed for ease of installation. Please read the guidelines below, BEFORE STARTING your installation, to guarantee a successful job! Use an appropriate crimping tool which folds the crimp "wings" on the terminals as shown below. ALL TERMINALS THAT YOU INSTALL SHOULD BE PROPERLY SOLDERED. Our factory terminations are install by GM approved five ton presses, and soldering is not necessary on these terminations.



STEP 1: DISCONNECT YOUR BATTERY:

Disconnect the battery before installing the wiring kit to prevent any accidental shorting caused by loose bare wire ends.

STEP 2: START INSTALLING KIT:

This kit is broken down into individual steps that are identified by a letter printed on the instruction sheets visible through each bag. These letters are the order of operation for installing y our kit. Start with the bag letter "G", then "H", etc. The order of installation is shown below.

| | | |
|---|--------|----------------------------|
| G | 500482 | Dash Harness Kit |
| H | 500483 | Instrument Cluster Kit |
| J | 500418 | Engine Kit |
| K | 500486 | Front Light Connection Kit |
| L | 500432 | Front Light Kit |
| M | 500484 | Rear Body Kit |
| N | 500472 | Courtesy Lamp Kit |

STEP 3: RECONNECT YOUR BATTERY:

When you have completed the installation and are ready to reconnect the battery, make sure that the following electrical system grounds are in place:

- A. Battery is grounded to the ENGINE BLOCK.
- B. Battery is grounded to the frame.
- C. Engine block is grounded to the frame.
- D. Body is grounded to the frame.
- E. RE-CHECK GROUNDS

STEP 4: CHECK ALL ELECTRICAL FUNCTIONS:

Any non-functioning items should be checked for proper installation. Any problems with your wiring and electrical circuit functions should be addressed to American Autowire Systems, Inc. as soon as possible to avoid any warranty problems.

If you have any questions concerning this or any of our products, please feel free to call us at 1-800-482-WIRE.

"AMERICAN AUTOWIRE MAKES IT EASY!!"

THIS KIT DOES NOT SUPPORT STOCK (ORIGINAL) GENERATORS. THE DESIGN OF THE KIT IS DESIGNED TO SUPPLY MORE POWER THAN THE GENERATOR IS ABLE TO SUPPLY.

START YOUR INSTALLATION HERE

Read this sheet first before starting your installation process

also available from
American Autowire

FULL TECHNICAL SUPPORT
856-933-9301!

OPTIONAL ACCESSORY KIT

- Hood & trunk lights
- Custom battery cables
- Master disconnect switch
- High quality 100 amp alternators
- Terminals, connectors, grommets, light sockets
- Adjustable Fuel Warning Module
- Billet turn signal switch
- Neutral safety switch
- Glove box light
- LED lights
- ...AND MUCH MORE !

100% MADE IN U.S.A.!

| | | |
|--------------------------------|------------|---|
| Battery Junction Block | p/n 500155 | Use for joining battery power leads, or ground leads. |
| Brake Switch | p/n 500098 | Original Lever type |
| Brake Switch | p/n 500097 | Button type, 2 blade contact to operate brake lights |
| Brake Switch | p/n 500145 | Button type, 4 blade contact to operate brake lights and cruise control |
| Circuit Breaker | p/n 500405 | 30 Amp auto reset. |
| Electric cooling fan relay kit | p/n 500479 | Kit with relay and wiring |
| Master Disconnect Switch | p/n 500003 | Heavy duty battery disconnect. |
| Neutral Safety switch (GM) | p/n 500104 | GM TH400, TH350, 700R4. |
| Universal Relay Kit | p/n 500142 | Use for any heavy duty application requiring a relay. |
| Wiper Switch | p/n 500146 | Two speed switch for wiper. |

another wiring product by...



150 Heller Pl #17 W Bellmawr, NJ 08031 856-933-0801

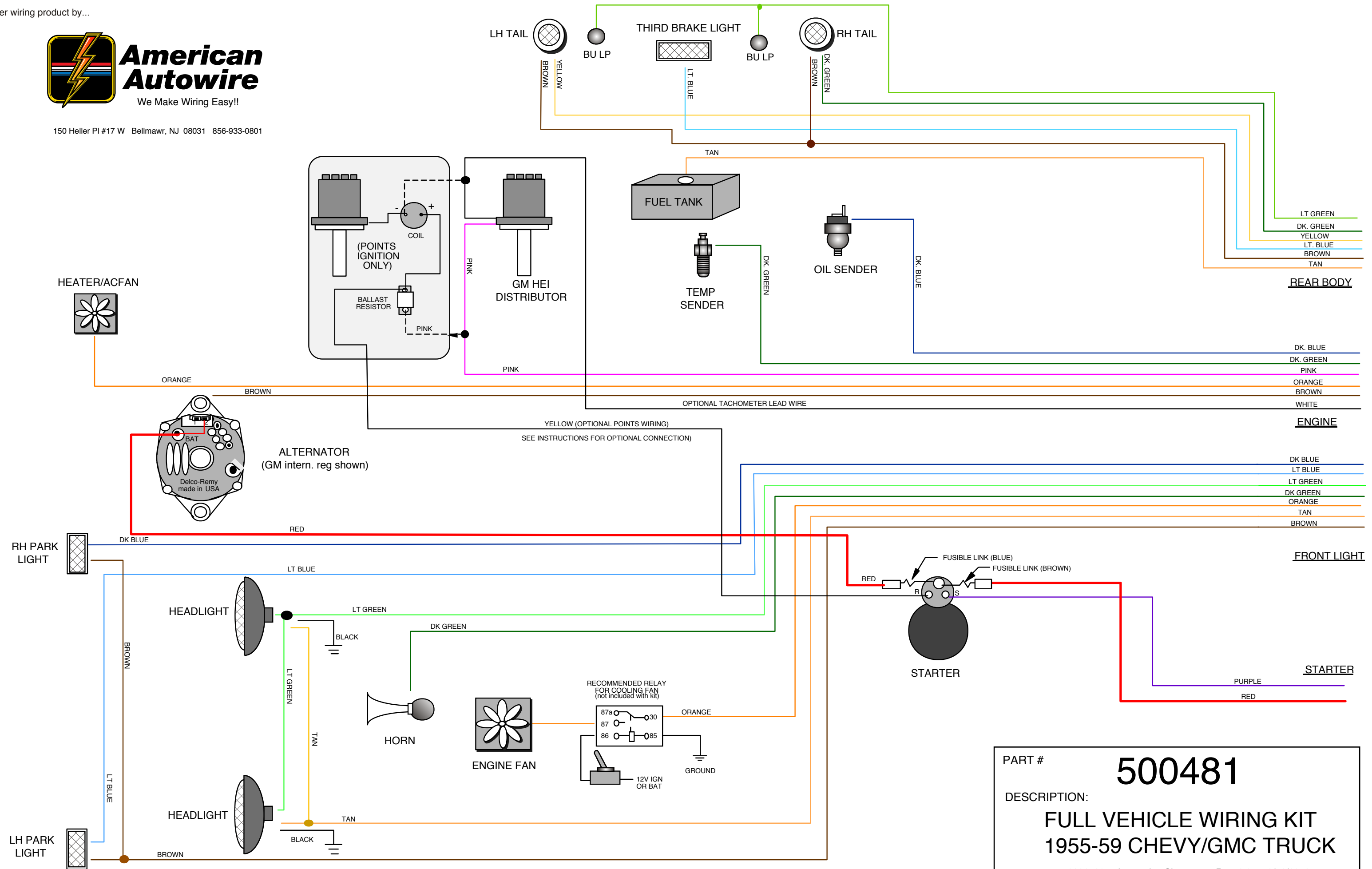
PART # **500481**

DESCRIPTION:
FULL VEHICLE WIRING KIT
1955-59 CHEVY/GMC TRUCK

92965287 Instruction Sheet Rev 2.0 2/12/2012



150 Heller Pl #17 W Bellmawr, NJ 08031 856-933-0801

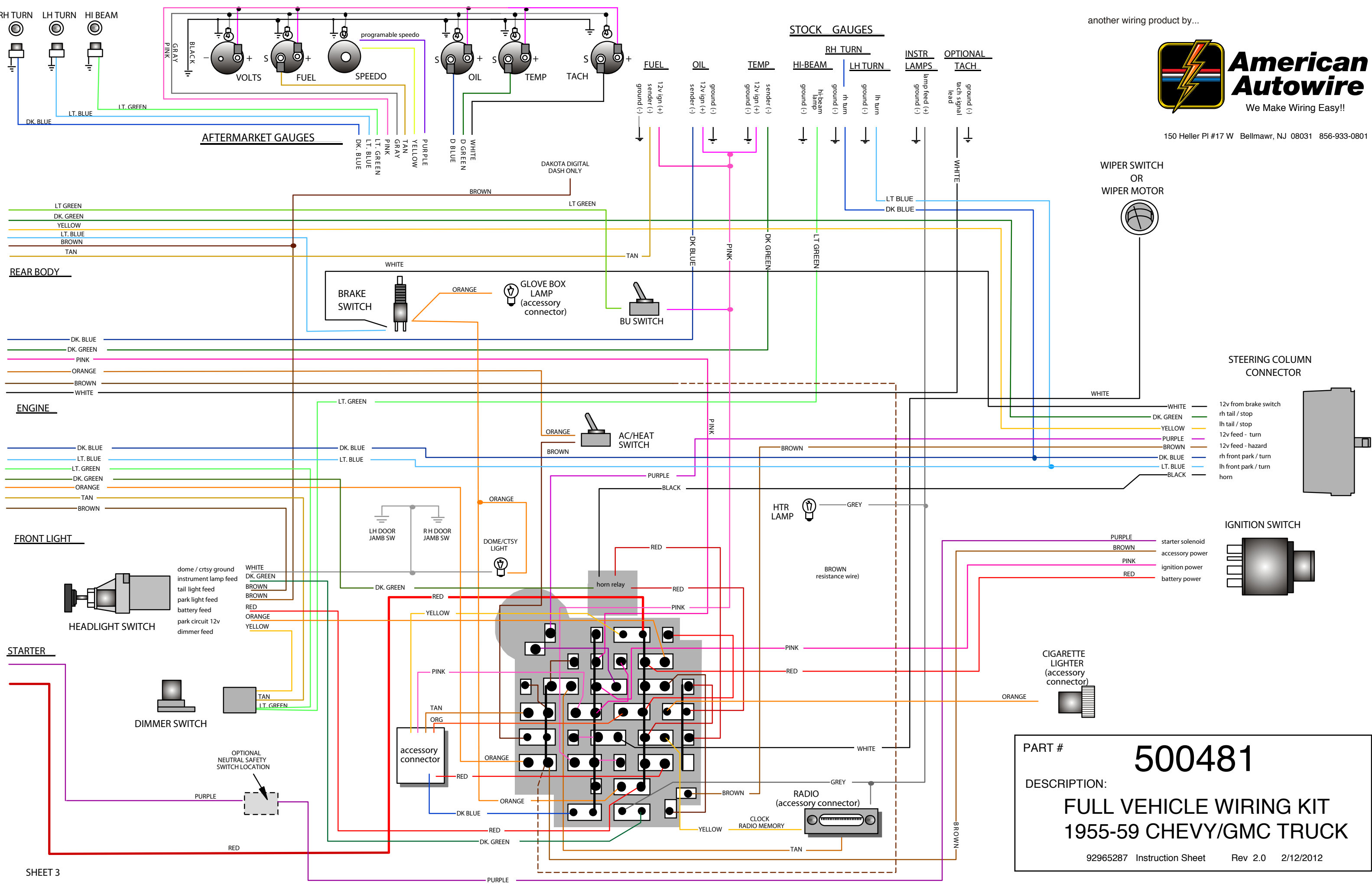


- LT GREEN
- DK. GREEN
- YELLOW
- LT. BLUE
- BROWN
- TAN
- DK. BLUE
- DK. GREEN
- PINK
- ORANGE
- BROWN
- WHITE
- DK BLUE
- LT BLUE
- LT GREEN
- DK GREEN
- ORANGE
- TAN
- BROWN
- DK BLUE
- LT BLUE
- LT GREEN
- DK GREEN
- ORANGE
- TAN
- BROWN
- PURPLE
- RED

PART # **500481**

DESCRIPTION:
FULL VEHICLE WIRING KIT
1955-59 CHEVY/GMC TRUCK

92965287 Instruction Sheet Rev 2.0 2/12/2012



STEERING COLUMN CONNECTOR

- WHITE — 12v from brake switch
- DK. GREEN — rh tail / stop
- YELLOW — lh tail / stop
- PURPLE — 12v feed - turn
- BROWN — 12v feed - hazard
- DK. BLUE — rh front park / turn
- LT. BLUE — lh front park / turn
- BLACK — horn

IGNITION SWITCH

- PURPLE — starter solenoid
- BROWN — accessory power
- PINK — ignition power
- RED — battery power

PART # **500481**

DESCRIPTION: **FULL VEHICLE WIRING KIT 1955-59 CHEVY/GMC TRUCK**

92965287 Instruction Sheet Rev 2.0 2/12/2012

THIS PAGE HAS BEEN INTENTIONALLY LEFT BLANK



www.americanautowire.com 856-933-0801

| | |
|--|--|
| PART # | 500481 |
| DESCRIPTION: | FULL VEHICLE WIRING KIT 1955-59 CHEVY/GMC TRUCK |
| 92965287 Instruction Sheet Rev 2.0 2/12/2012 | |