

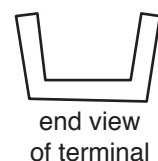
# Classic Update Series

1955-59 Chevy Truck

## START HERE !

PLEASE READ THIS BEFORE STARTING INSTALLATION !

This wiring kit is designed for ease of installation and is for use with a 12 volt electrical system ONLY! Any 6 volt accessories will need to be converted to 12 volts before installation of any wiring. Please read the guidelines below, BEFORE STARTING your installation to guarantee a successful job. Use an appropriate crimping tool which folds the wings of the open barrel terminals down into the wire as shown below. ALL TERMINALS THAT YOU INSTALL SHOULD BE PROPERLY SOLDERED. Our factory crimped terminations are installed by GM approved five ton presses, and soldering these terminations is not necessary. AAW offers a great terminal crimping video entitled "Proper Crimping Video". It can be viewed by visiting YouTube. Type the following address into your web browser to go directly to the video: [www.youtube.com/watch?v=8u\\_EkMsi0My](http://www.youtube.com/watch?v=8u_EkMsi0My).



end view  
of terminal



proper crimp  
of terminal

wire core

INSTALLATION INSTRUCTIONS

### STEP 1: DISCONNECT YOUR BATTERY:

Disconnect the battery before installing the wiring kit to prevent any accidental shorting caused by loose bare wire ends.

### STEP 2: START INSTALLING KIT:

This kit is broken down into individual steps that are identified by a letter printed on the instruction sheets visible through each bag. These letters are the order of operation for installing your kit. Start with the bag letter 'G', then 'H', etc. The order of installation is shown below.

G	500482	Dash Harness Kit
H	510417	Instrument Cluster Kit
J	510405	Engine Kit
K	500486	Front Light Connection Kit
L	500432	Front Light Kit
M	510411	Rear Body Kit
N	500472	Courtesy Lamp Kit

### STEP 3: RECONNECT YOUR BATTERY:

When you have completed the installation and are ready to reconnect the battery, make sure that the following electrical system grounds are in place:

- Battery is grounded to the ENGINE BLOCK.
- Battery is grounded to the frame.
- Engine block is grounded to the frame.
- Body is grounded to the frame.
- RE-CHECK GROUNDS

### STEP 4: CHECK ALL ELECTRICAL FUNCTIONS:

Any non-functioning items should be checked for proper installation. Any problems with your wiring and electrical circuit functions should be addressed to American Autowire Systems, Inc. as soon as possible to avoid any warranty problems.

If you have any questions concerning this or any of our products, please feel free to call us at 1-800-482-WIRE.

also available from  
American Autowire

FULL TECHNICAL SUPPORT  
856-933-0801!

Hood & trunk lights  
Custom battery cables  
Master disconnect switch  
High quality 100 amp alternators  
Terminals, connectors, grommets, light sockets  
Adjustable Fuel Warning Module  
Billet turn signal switch  
Neutral safety switch  
Glove box light  
LED lights  
...AND MUCH MORE !

100% MADE IN U.S.A. !

### OPTIONAL ACCESSORY KIT

Brake Switch	p/n 500097	Button type, 2 blade contact to operate brake lights.
Brake Switch	p/n 500145	Button type, 4 blade contact to operate brake lights & cruise control / lock up converter.
Brake Switch	p/n 500098	Original Lever type.
Universal Relay Kit	p/n 500479	Complete relay kit with wiring and relay.
Wiper Switch	p/n 500146	Two speed wiper switch.
Master Disconnect Switch	p/n 500003	HD battery disconnect.
Battery Junction Block	p/n 500155	Use for joining battery power leads or ground leads.
Assembly Manual	p/n 36385	Factory assembly manual

**THIS KIT DOES NOT SUPPORT (STOCK) ORIGINAL GENERATORS. THE UPDATED DESIGN OF THIS NEW KIT REQUIRES MORE POWER THAN THE (STOCK) ORIGINAL GENERATOR IS CAPABLE OF SUPPLYING.**



**American  
Autowire**

150 Heller Pl #17 W Bellmawr, NJ 08031 856-933-0801

PART #

**500481**

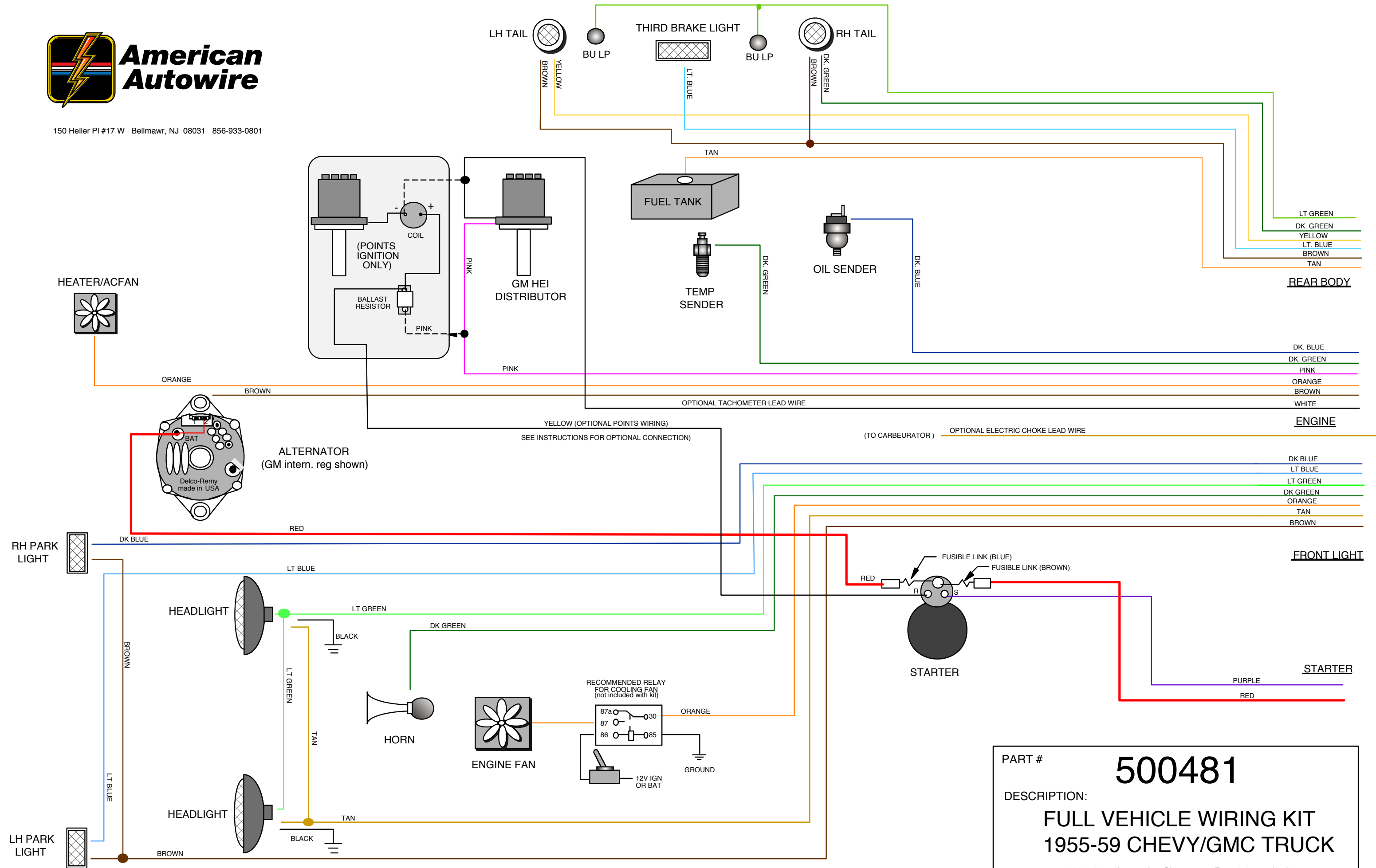
DESCRIPTION:

**FULL VEHICLE WIRING KIT  
1955-59 CHEVY/GMC TRUCK**

92965287 Instruction Sheet Rev 3.0 7/31/2015



150 Heller Pl #17 W Bellmawr, NJ 08031 856-933-0801



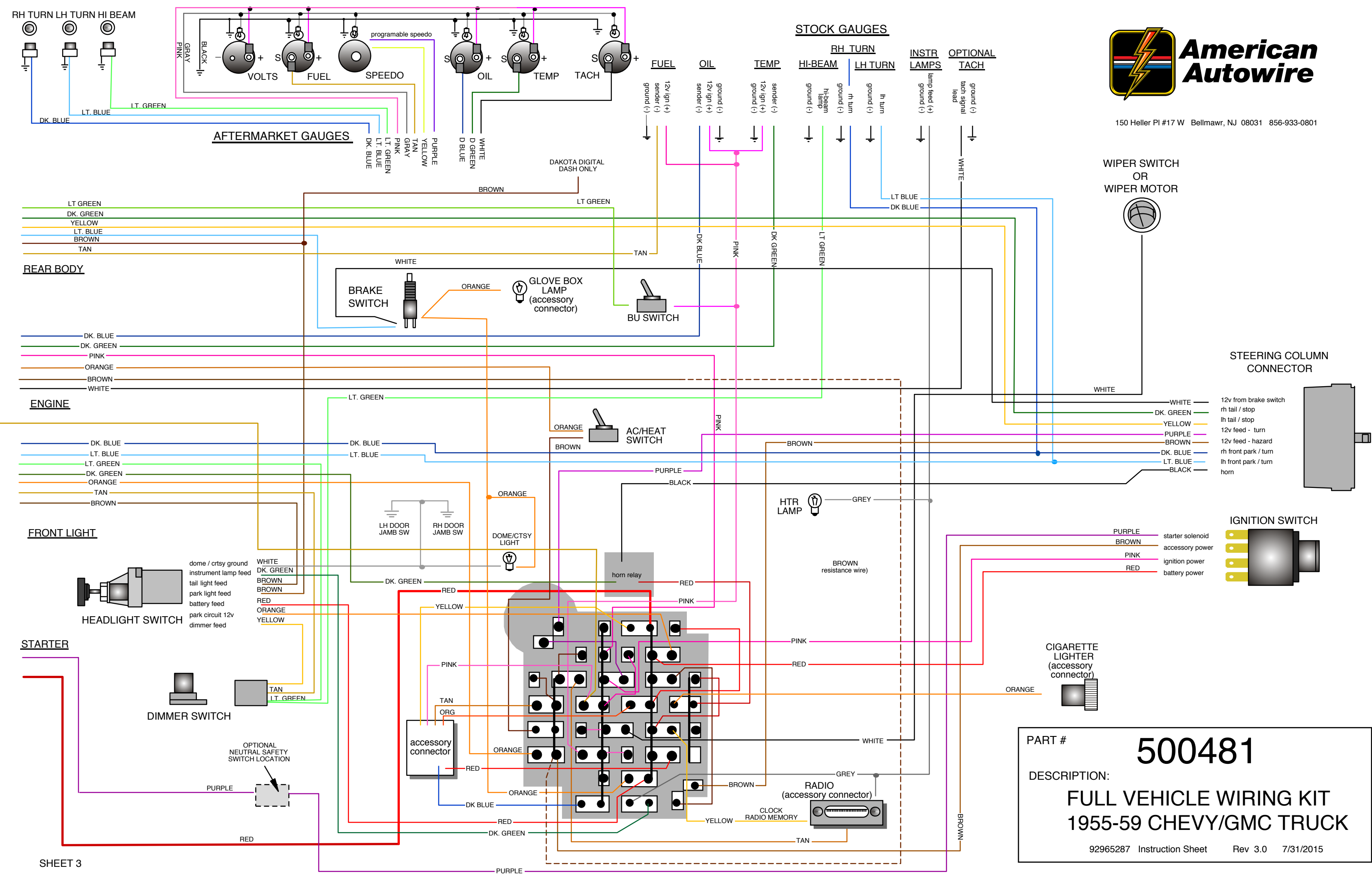
PART # **500481**

DESCRIPTION:  
**FULL VEHICLE WIRING KIT**  
**1955-59 CHEVY/GMC TRUCK**

92965287 Instruction Sheet Rev 3.0 7/31/2015



150 Heller Pl #17 W Bellmawr, NJ 08031 856-933-0801



STEERING COLUMN CONNECTOR

- WHITE — 12v from brake switch
- DK. GREEN — rh tail / stop
- YELLOW — lh tail / stop
- PURPLE — 12v feed - turn
- BROWN — 12v feed - hazard
- DK. BLUE — rh front park / turn
- LT. BLUE — lh front park / turn
- BLACK — horn

IGNITION SWITCH

- PURPLE — starter solenoid
- BROWN — accessory power
- PINK — ignition power
- RED — battery power

PART # **500481**

DESCRIPTION: **FULL VEHICLE WIRING KIT 1955-59 CHEVY/GMC TRUCK**

92965287 Instruction Sheet Rev 3.0 7/31/2015

THIS PAGE HAS BEEN INTENTIONALLY LEFT BLANK



[www.americanautowire.com](http://www.americanautowire.com) 856-933-0801

PART #	<b>500481</b>
DESCRIPTION:	<b>FULL VEHICLE WIRING KIT 1955-59 CHEVY/GMC TRUCK</b>
92965287 Instruction Sheet Rev 3.0 7/31/2015	