

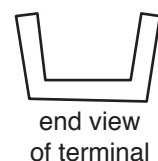
Classic Update Series

1955-59 Chevy Truck

START HERE !

PLEASE READ THIS BEFORE STARTING INSTALLATION !

This wiring kit is designed for ease of installation and is for use with a 12 volt electrical system ONLY! Any 6 volt accessories will need to be converted to 12 volts before installation of any wiring. Please read the guidelines below, BEFORE STARTING your installation to guarantee a successful job. Use an appropriate crimping tool which folds the wings of the open barrel terminals down into the wire as shown below. ALL TERMINALS THAT YOU INSTALL SHOULD BE PROPERLY SOLDERED. Our factory crimped terminations are installed by GM approved five ton presses, and soldering these terminations is not necessary. AAW offers a great terminal crimping video entitled "Proper Crimping Video". It can be viewed by visiting YouTube. Type the following address into your web browser to go directly to the video: www.youtube.com/watch?v=8u_EkMsi0My.



end view
of terminal



proper crimp
of terminal

wire core

INSTALLATION INSTRUCTIONS

STEP 1: DISCONNECT YOUR BATTERY:

Disconnect the battery before installing the wiring kit to prevent any accidental shorting caused by loose bare wire ends.

STEP 2: START INSTALLING KIT:

This kit is broken down into individual steps that are identified by a letter printed on the instruction sheets visible through each bag. These letters are the order of operation for installing your kit. Start with the bag letter "G", then "H", etc. The order of installation is shown below.

| | | |
|---|--------|----------------------------|
| G | 500482 | Dash Harness Kit |
| H | 510417 | Instrument Cluster Kit |
| J | 510405 | Engine Kit |
| K | 510418 | Front Light Connection Kit |
| L | 500432 | Front Light Kit |
| M | 510411 | Rear Body Kit |
| N | 500472 | Courtesy Lamp Kit |

STEP 3: RECONNECT YOUR BATTERY:

When you have completed the installation and are ready to reconnect the battery, make sure that the following electrical system grounds are in place:

- Battery is grounded to the ENGINE BLOCK.
- Battery is grounded to the frame.
- Engine block is grounded to the frame.
- Body is grounded to the frame.
- RE-CHECK GROUNDS

STEP 4: CHECK ALL ELECTRICAL FUNCTIONS:

Any non-functioning items should be checked for proper installation. Any problems with your wiring and electrical circuit functions should be addressed to American Autowire Systems, Inc. as soon as possible to avoid any warranty problems.

If you have any questions concerning this or any of our products, please feel free to call us at 1-800-482-WIRE.

also available from
American Autowire

FULL TECHNICAL SUPPORT
856-933-0801!

Hood & trunk lights
Custom battery cables
Master disconnect switch
High quality 100 amp alternators
Terminals, connectors, grommets, light sockets
Adjustable Fuel Warning Module
Billet turn signal switch
Neutral safety switch
Glove box light
LED lights
...AND MUCH MORE !

100% MADE IN U.S.A. !

OPTIONAL ACCESSORY KIT

| | | |
|--------------------------|------------|--|
| Brake Switch | p/n 500097 | Button type, 2 blade contact to operate brake lights. |
| Brake Switch | p/n 500145 | Button type, 4 blade contact to operate brake lights & cruise control / lock up converter. |
| Brake Switch | p/n 500098 | Original Lever type. |
| Universal Relay Kit | p/n 500479 | Complete relay kit with wiring and relay. |
| Wiper Switch | p/n 500146 | Two speed wiper switch. |
| Master Disconnect Switch | p/n 500003 | HD battery disconnect. |
| Battery Junction Block | p/n 500155 | Use for joining battery power leads or ground leads. |
| Assembly Manual | p/n 36385 | Factory assembly manual |

THIS KIT DOES NOT SUPPORT (STOCK) ORIGINAL GENERATORS. THE UPDATED DESIGN OF THIS NEW KIT REQUIRES MORE POWER THAN THE (STOCK) ORIGINAL GENERATOR IS CAPABLE OF SUPPLYING.



**American
Autowire**

150 Heller Pl #17 W Bellmawr, NJ 08031 856-933-0801

PART #

500481

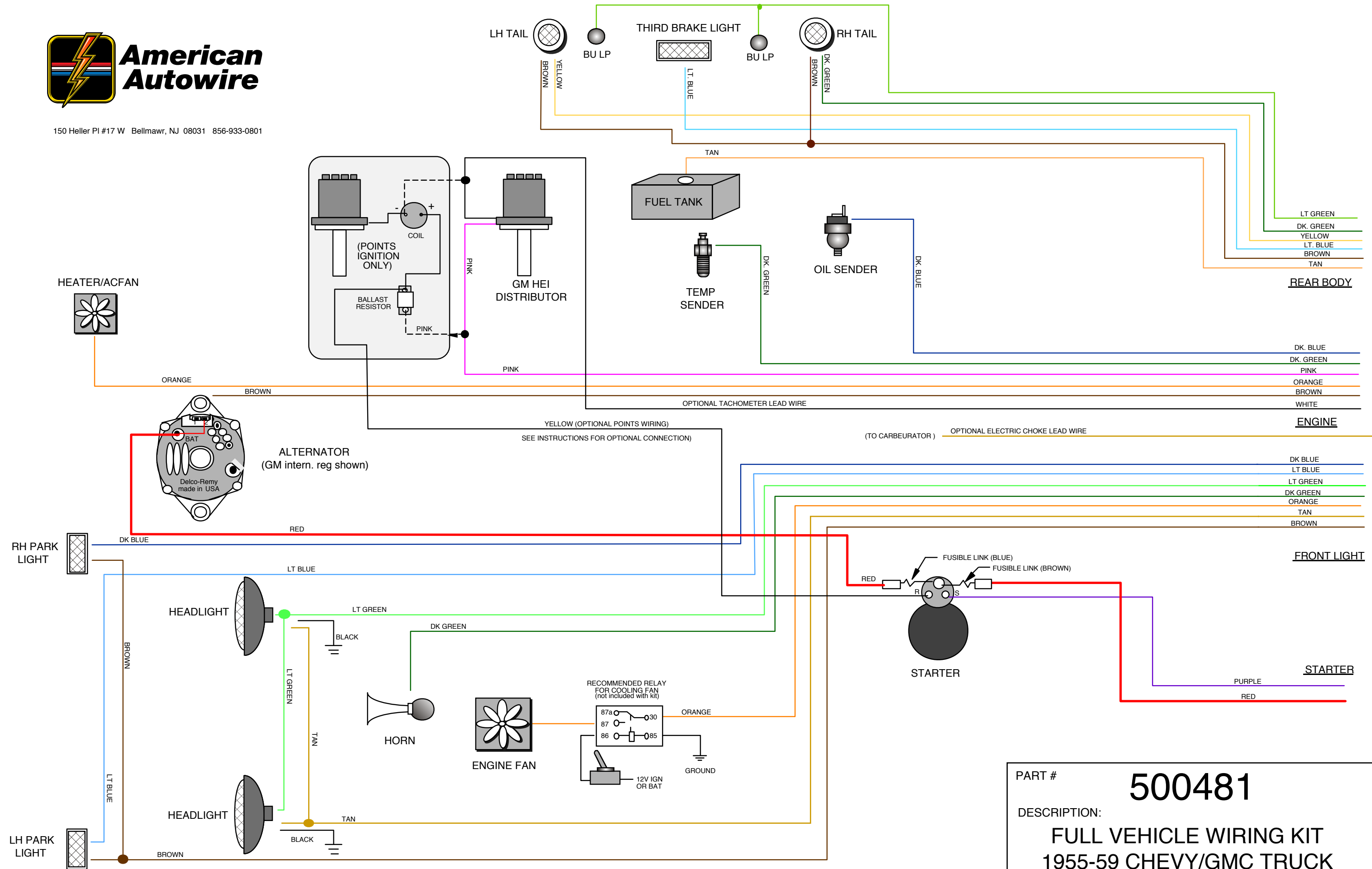
DESCRIPTION:

**FULL VEHICLE WIRING KIT
1955-59 CHEVY/GMC TRUCK**

92965287 Instruction Sheet Rev 4.0 11/11/2015



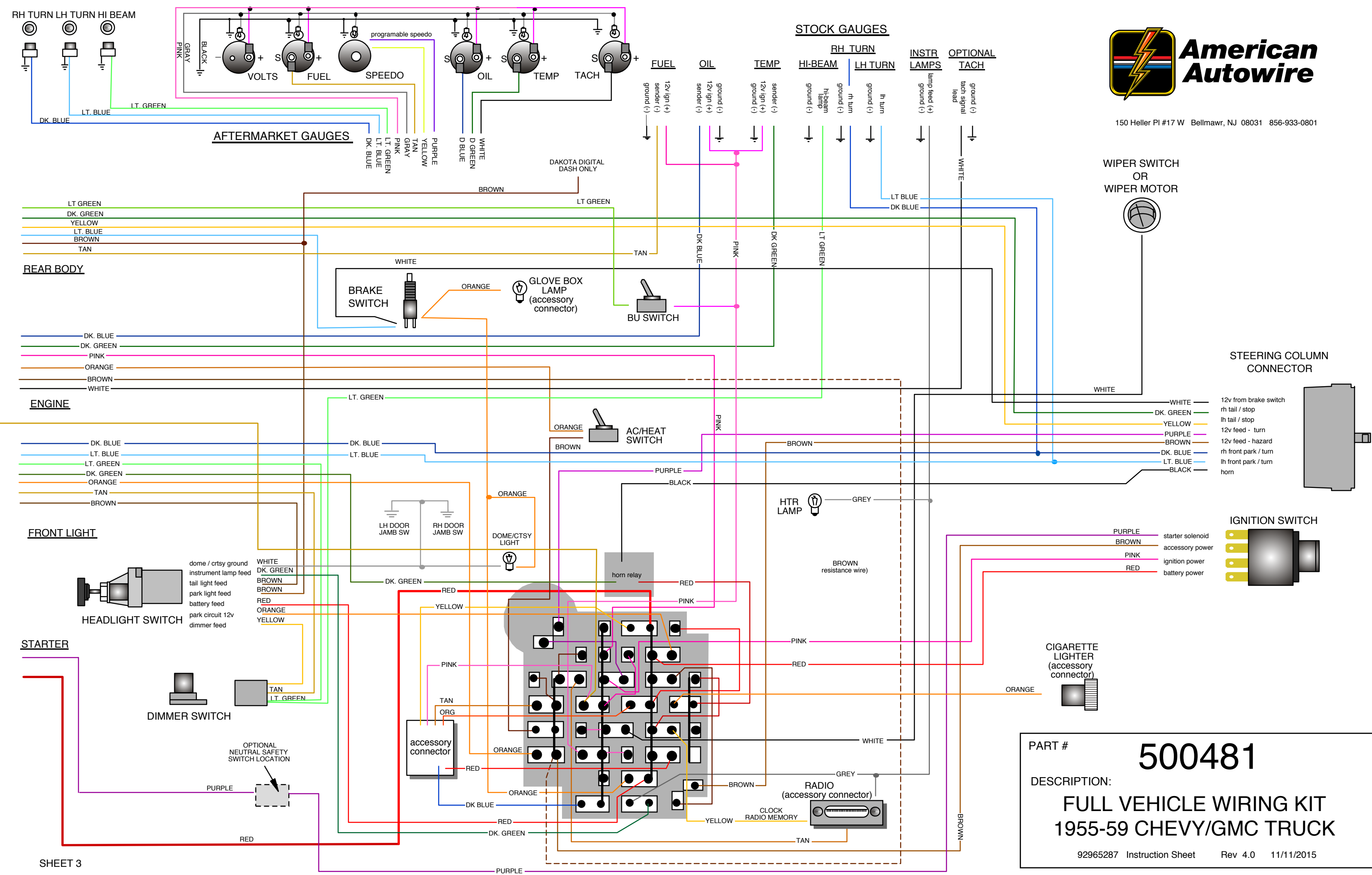
150 Heller Pl #17 W Bellmawr, NJ 08031 856-933-0801



PART # **500481**
 DESCRIPTION:
FULL VEHICLE WIRING KIT
1955-59 CHEVY/GMC TRUCK
 92965287 Instruction Sheet Rev 4.0 11/11/2015



150 Heller Pl #17 W Bellmawr, NJ 08031 856-933-0801



STEERING COLUMN CONNECTOR

- WHITE — 12v from brake switch
- DK. GREEN — rh tail / stop
- YELLOW — lh tail / stop
- PURPLE — 12v feed - turn
- BROWN — 12v feed - hazard
- DK. BLUE — rh front park / turn
- LT. BLUE — lh front park / turn
- BLACK — horn

IGNITION SWITCH

- PURPLE — starter solenoid
- BROWN — accessory power
- PINK — ignition power
- RED — battery power

PART # **500481**

DESCRIPTION:
FULL VEHICLE WIRING KIT
1955-59 CHEVY/GMC TRUCK

92965287 Instruction Sheet Rev 4.0 11/11/2015

THIS PAGE HAS BEEN INTENTIONALLY LEFT BLANK



www.americanautowire.com 856-933-0801

| | |
|--|--|
| PART # | 500481 |
| DESCRIPTION: | FULL VEHICLE WIRING KIT 1955-59 CHEVY/GMC TRUCK |
| <small>92965287 Instruction Sheet Rev 4.0 11/11/2015</small> | |