

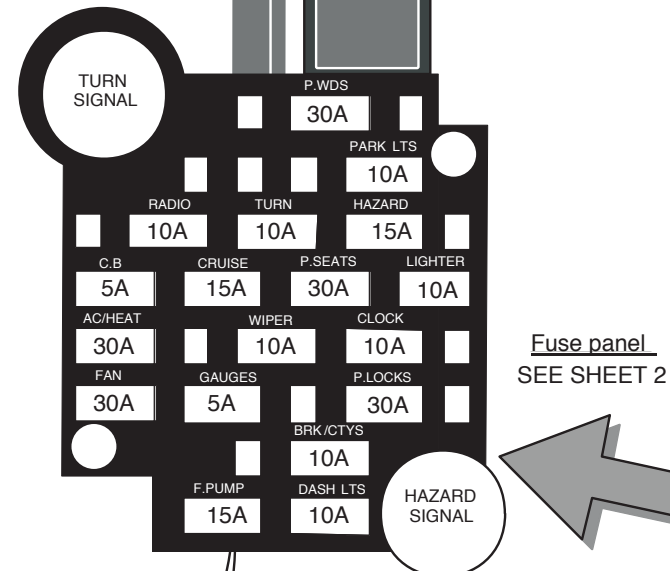
Fuse Panel Installation Instructions

Following these simple instructions will guarantee a successful installation of your American Autowire Fuse Panel Harness.

The order of installation will be as follows:

1. Install the fuse box and mounting plate (see sheet 2)
2. Route fuse panel harness in dash area. Installation clamps are provided, as shown in detail "D" on sheet 4.
3. Make all dash connections as shown in this Fuse Panel Installation sheet.
4. Starting with bag "H", install all other wiring bags as per the letter designation on instruction sheets. (bags H,J,K,L,M).

Let's begin your installation of this Fuse Panel harness. Study the diagram above, and follow the installation procedures on the following pages!



Fuse panel
SEE SHEET 2

RECOMMENDED FUSE CIRCUIT RATINGS			
PARK LIGHTS	10 AMP	CRUISE	15 AMP
HAZARD	15 AMP	CLOCK	10 AMP
BRAKE LIGHTS	10 AMP	LIGHTER	10 AMP
DASH LIGHTS	10 AMP	FUEL PUMP	15 AMP
TURN SIGNAL	10 AMP	POWER SEAT	30 AMP
WIPER	10 AMP	POWER LOCK	30 AMP
GAUGE	5 AMP	POWER WINDOWS	30 AMP
C.B. RADIO	5 AMP		
A/C / HEATER	30 AMP		
RADIO	10 AMP		
FAN	30 AMP		

Dimmer Switch
SEE SHEET 3



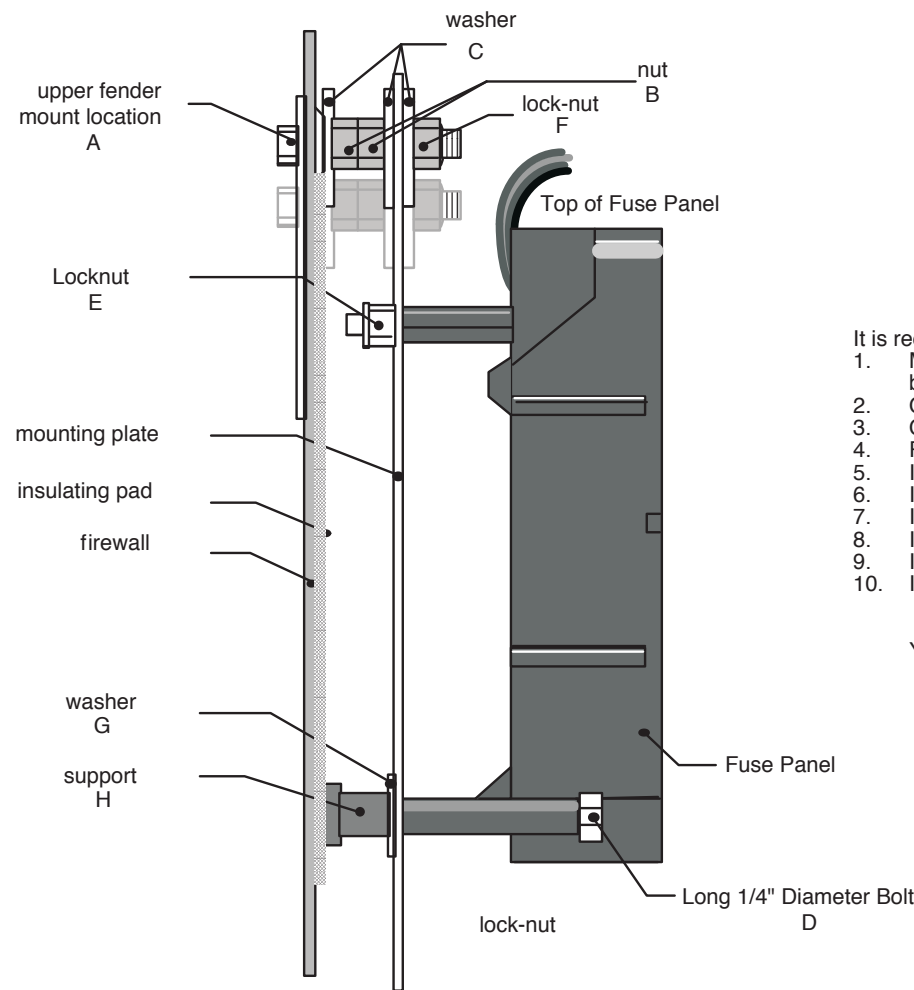
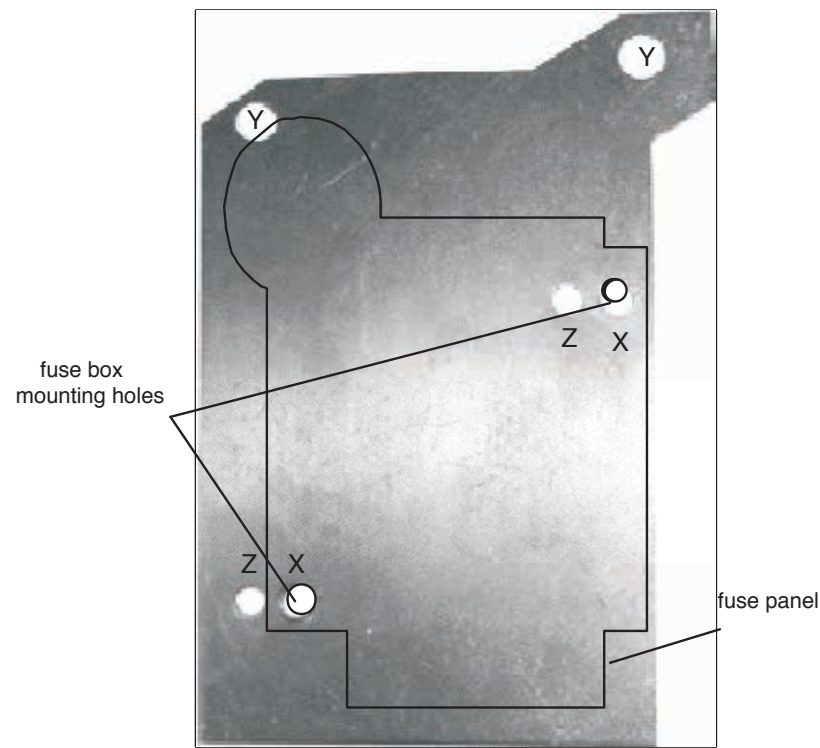
www.americanautowire.com 856-933-0801

PART # **500559** **G**

DESCRIPTION:
1960-66 Chevy/GMC Truck

Custom Fuse Panel Harness

92965539 instruction sheet Rev 4.0 4/2013

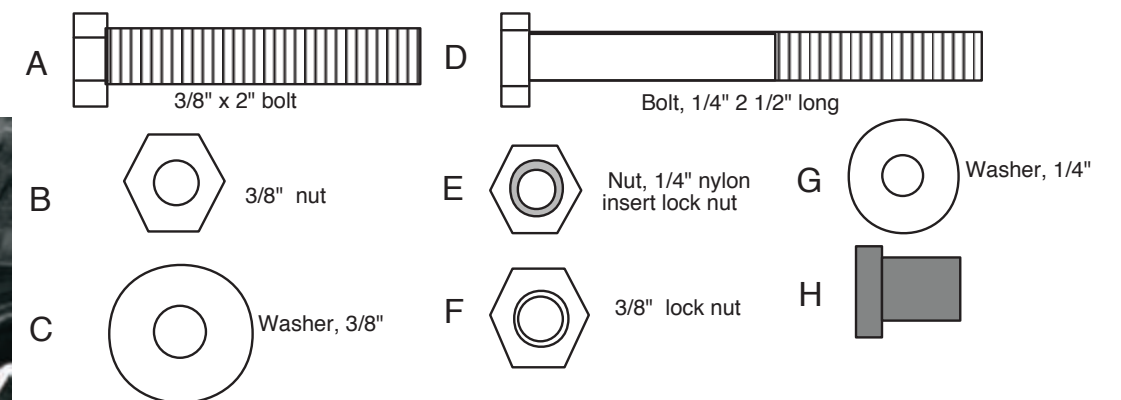
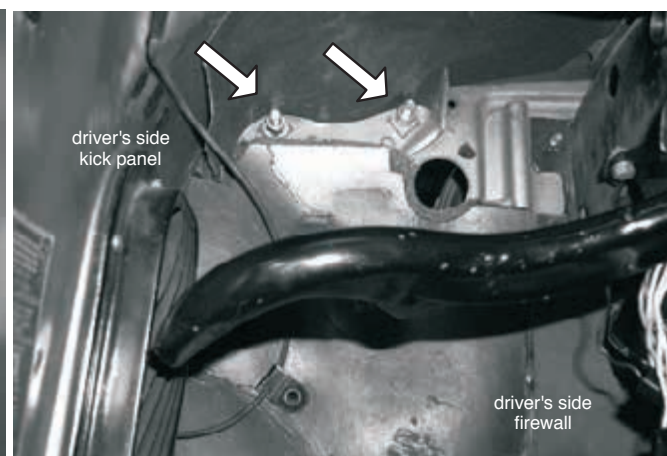
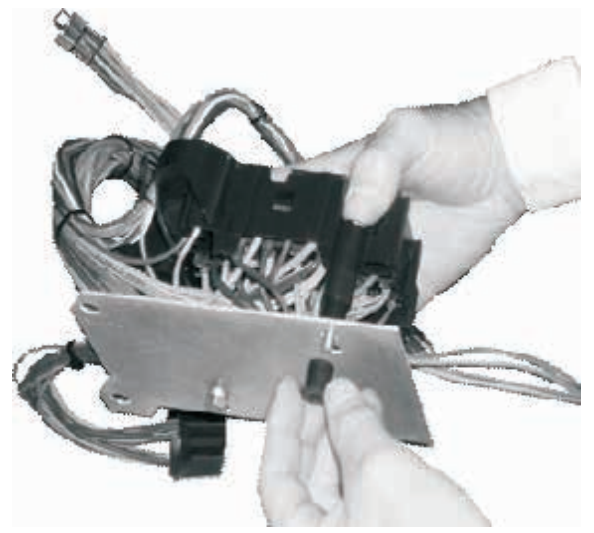


Mounting Fuse Panel and mounting plate

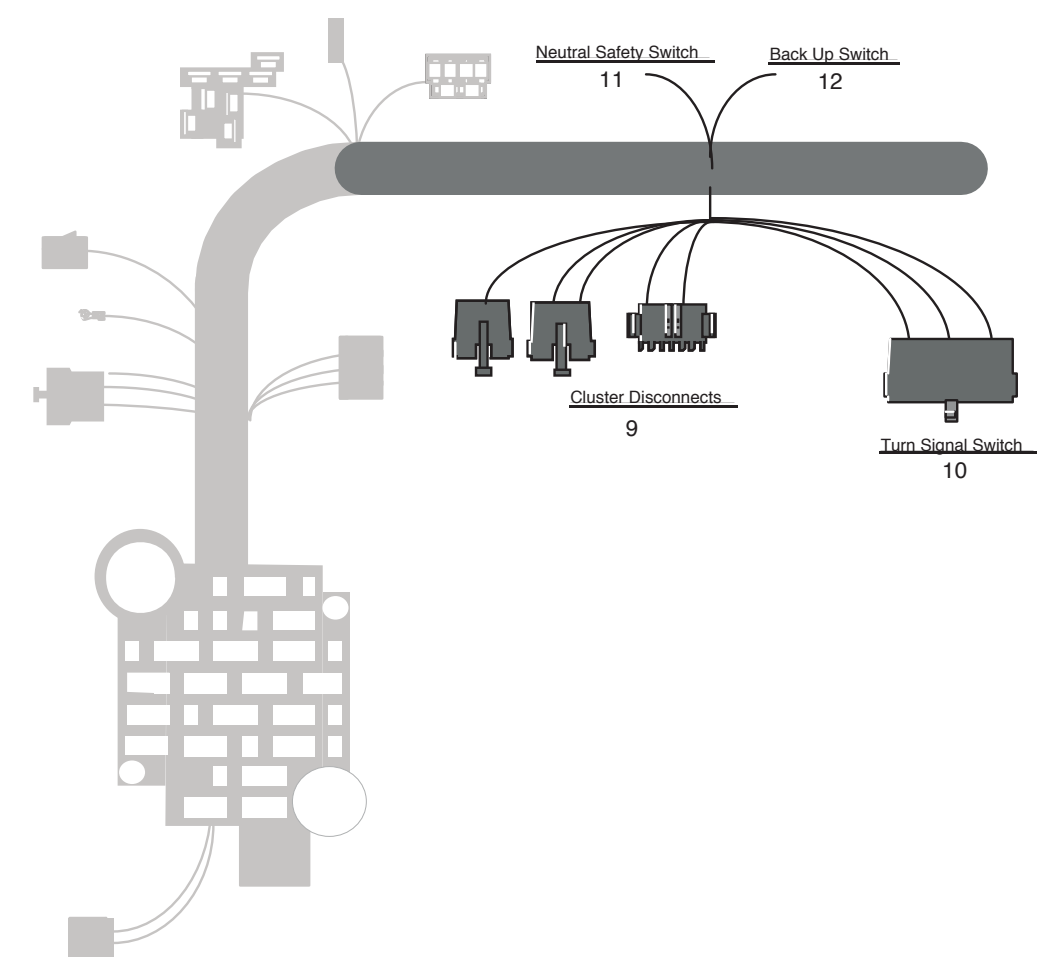
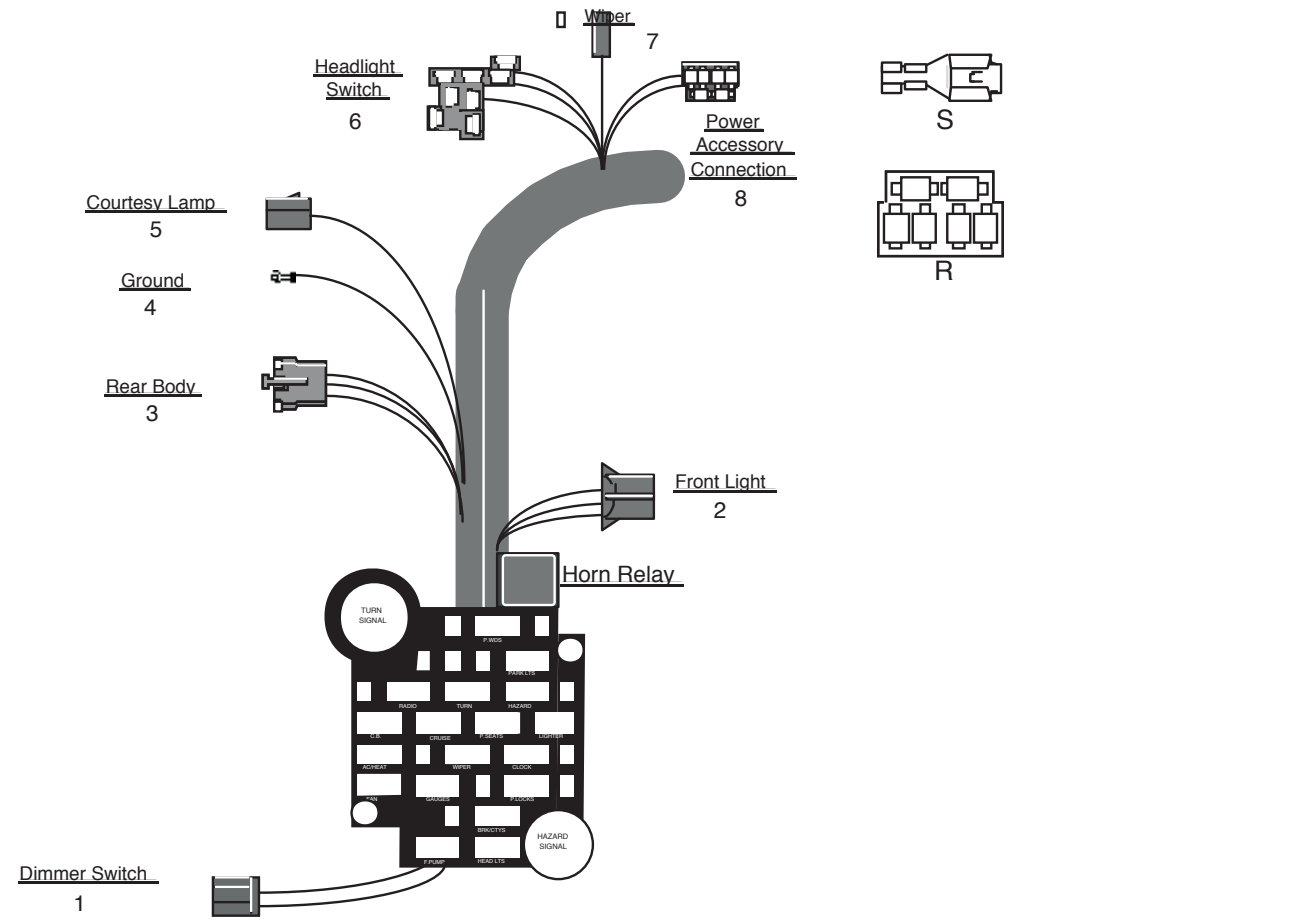
It is recommended that the firewall support bolts be replaced one at a time, as follows:

1. Mount fuse box to plate, as shown in DETAIL A. Using either holes X or Z, install bolts D through the mounting holes on fuse box and plate.
2. On upper bolt of fuse box, install lock nut "E", as shown in DETAIL B & G.
3. On lower bolt of fuse box, install washer "G" and rubber support "H", as shown in DETAIL B & G.
4. Remove the upper driver side firewall support bolts (2) from the firewall, as shown in DETAIL C.
5. Install bolt "A" into the existing firewall support bolt holes, as shown in DETAIL C, G & H.
6. Install 1 flat washer "C" on each bolt, as shown in DETAIL G & H.
7. Install 2 standard nuts "B" on each bolt, as shown in DETAIL G & H.
8. Install 1 flat washer "C" on each bolt, as shown in DETAIL G.
9. Install mounting plate assembly, as shown in DETAIL G.
10. Install flat washer "C" on each bolt, and secure with lock nut "F", as shown in DETAIL G.

Your fuse panel is now installed!



www.americanautowire.com 856-933-0801

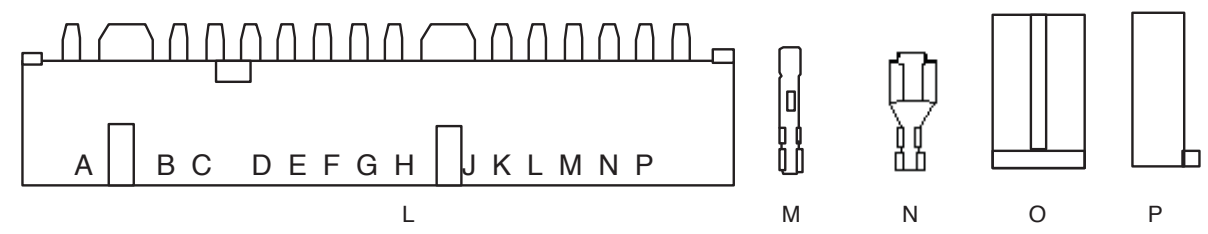


Note: Terminals are provided for most connections on your wiring kit. Use the provided terminals and connectors to install the following wires:

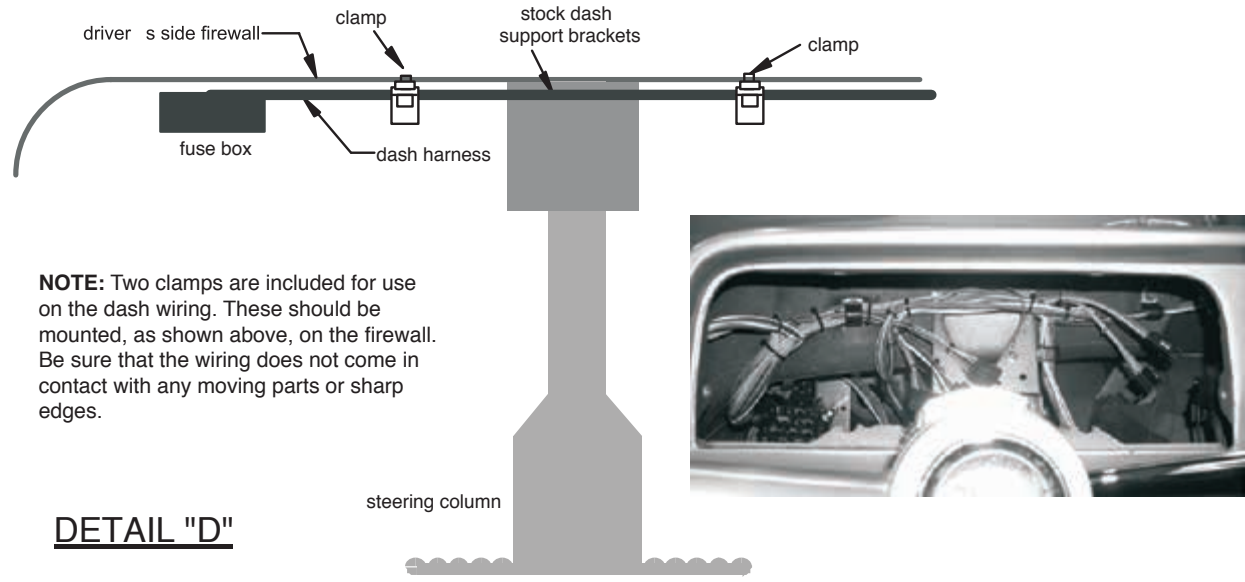
1	DIMMER SWITCH	Yellow Tan Lt Green	12 volt feed to dimmer switch Lo beam feed from dimmer switch Hi Beam feed from dimmer switch
2	FRONT LIGHT	This connector will mate to the connector from the Front Light harness found in bag L. Tan Lo beam feed to headlight bulb Light Green Hi beam feed to headlight bulb Brown Parking lamp feed to parking lamps Light Blue LH turn feed Dark Blue RH turn feed Dark Green Horn feed Orange Electric fan feed	
3	REAR BODY	This connector will mate to the connector from the Rear Body Intermediate harness found in bag M. Tan Fuel tank sender lead Brown Tail lamp feed Yellow LH turn / brake feed Dark Green RH turn / brake feed Orange Dome / courtesy lamp feed White Dome / courtesy lamp ground Light Green Back up lamp feed Light Blue Third brake lamp feed	
4	GROUND	Black	This wire is the ground for the instrument cluster. Connect it to a good chassis ground.
5	COURTESY LAMP	This connector plugs into the mating connector for the courtesy lamp kit 500614. (Bag N) White Dome / courtesy lamp ground, to door jamb switch Orange 12 volt battery feed to courtesy lamp.	
6	HEADLIGHT SWITCH	NOTE: For use of stock headlight switch, see photo above. Red 12 volt feed to switch "BAT" location on headlight switch Orange 12 volt feed "in" to park/tail "PARK / TAIL FEED IN" location on headlight switch. (commonly found on GM headlight switches) Brown Park / tail feed "out" "PARK / TAIL FEED OUT" location on headlight switch. Yellow Dimmer feed "DIMMER FEED" location on headlight switch. Dk Green Instrument lamp feed "INSTRUMENT LAMP" location on headlight switch. White Dome / courtesy ground "GROUND" location on headlight switch.	
7	WIPER	Lt Blue	See 500613, bag O, wiper kit for installation. For an aftermarket wiper system, consult wiper manufacturer for proper hook up. NOTE: Check for proper grounding of wiper motor assembly.
8	POWER ACCESSORIES	Use the provided connector R and terminals S if you wish to connect to the accessory connector. Dark Blue Fused 12 volt ignition feed for fuel pump (may also be used to feed power to another accessory circuit) Orange Fused 12 volt battery feed for power seats (may also be used to feed power to another accessory circuit) Red Fused 12 volt battery feed for power door locks (may also be used to feed power to another accessory circuit) Pink Fused 12 volt ignition feed for cruise control (may also be used to feed power to another accessory circuit) Yellow Fused 12 volt battery feed for power windows (may also be used to feed power to another accessory circuit) Tan Fused 12 volt ignition CB radio feed (may also be used to feed power to another accessory circuit)	

Note: Terminals are provided for most connections on your wiring kit. Use the provided terminals and connector to install the following wires:

9	GAUGE DISCONNECT	These connectors will plug into the gauge disconnect from the Cluster harness, bag H. Each wire function is described on the instruction sheet from bag H.	
10	TURN SIGNAL SWITCH	This harness has a connector on it for the more common 1969-1974 GM 3 7/8" turn signal connection used by GM and most other aftermarket manufacturers. If your column has the 4 1/4" GM connector, simply replace your existing column connector with connector L below by removing the existing terminals as shown in the Detail E photo on sheet 4. If you are using a turn signal switch which does not have a connector that plugs into the connector on our harness, install connector L and terminals M on your turn signal wires, and then plug connector "L" (see below) into our harness. See Detail F for connecting to the 3 different stock turn signal switches that were used by GM between 1960 and 1966. White 12 volt feed from brake switch Dark Green RH tail lamp Yellow LH tail lamp Purple 12 volt feed from turn flasher Brown 12 volt feed from hazard flasher Dark Blue RH front park lamp Light Blue LH front park lamp Black Horn relay ground wire to horn switch	
11	NEUTRAL SAFETY	Purple Purple	Terminals N and connectors O & P are provided for connection to a neutral safety switch, and back up switch. 12 volt feed from ignition switch 12 volt feed to starter (These wires MUST be connected to a neutral safety switch for an automatic transmission, or connected together for a manual transmission car, for the starter to operate correctly.)
12	BACK UP SWITCH	Pink Light Green	12 volt ignition power to switch 12 volt power out to back up lights, from switch.

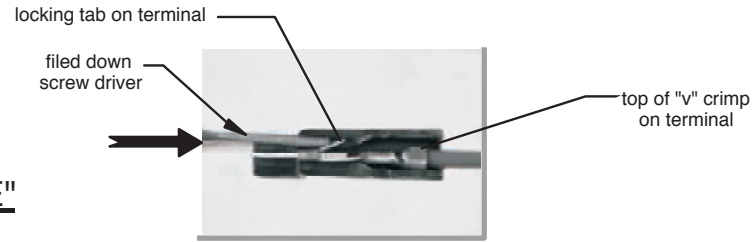


1960-66 Truck
Custom Fuse Panel Harness **500559**
92965539 instruction sheet Rev 4.0 4/2/2013



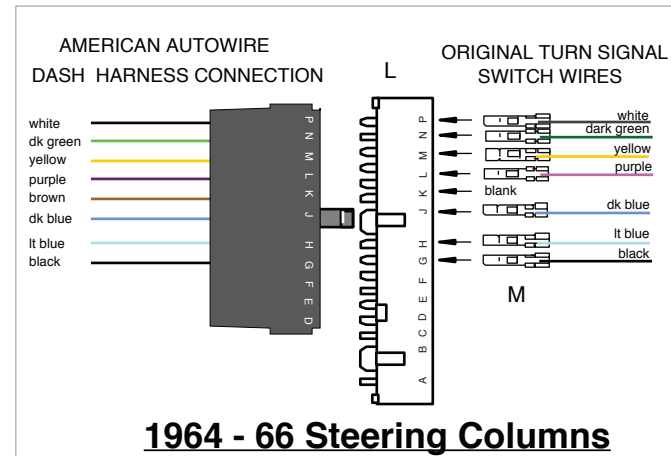
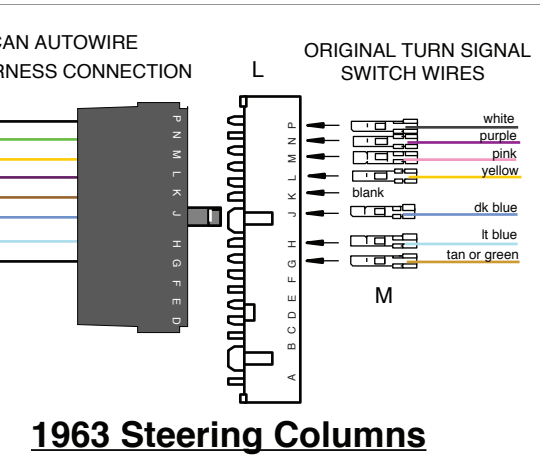
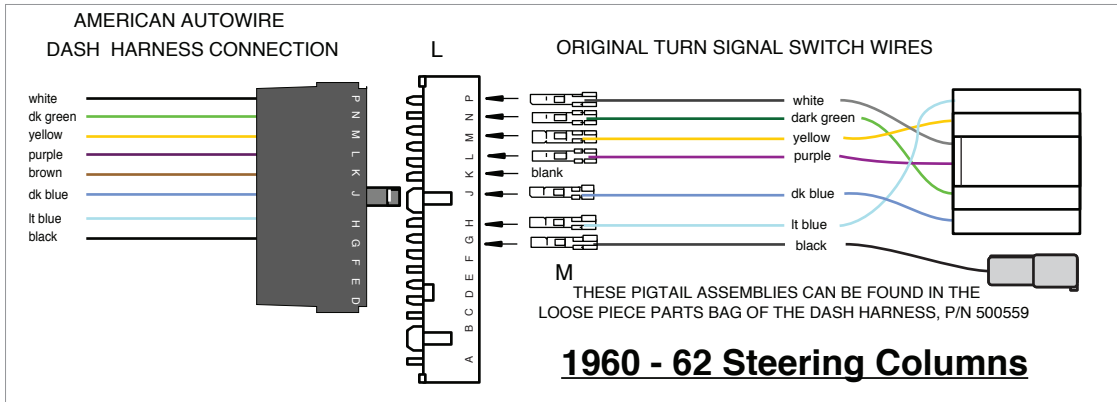
NOTE: Two clamps are included for use on the dash wiring. These should be mounted, as shown above, on the firewall. Be sure that the wiring does not come in contact with any moving parts or sharp edges.

DETAIL "D"



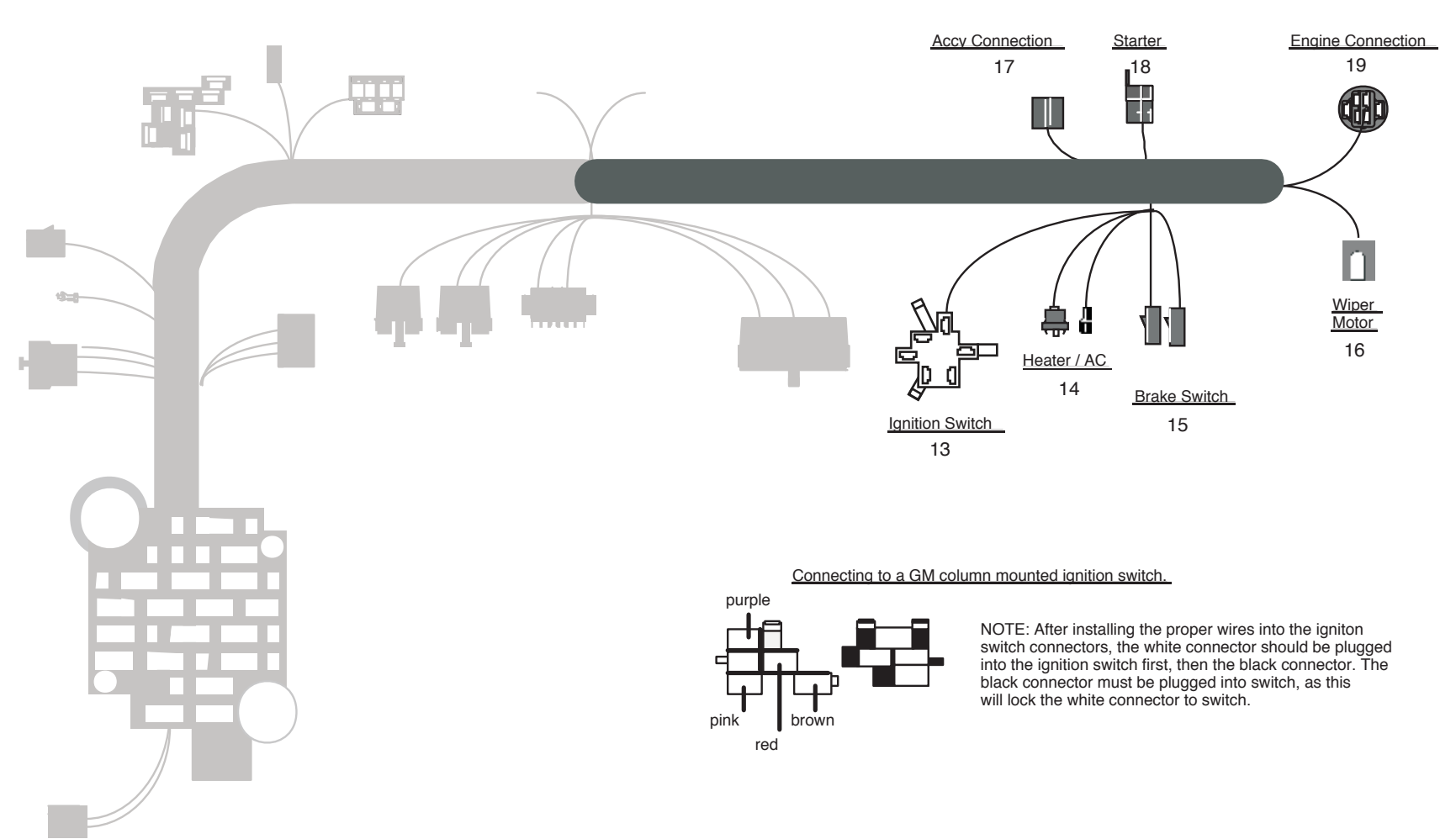
DETAIL "E"

REMOVAL OF STEERING COLUMN TERMINAL FROM A 4-1/4" GM COLUMN CONNECTOR (reference sheet 3)
 To remove terminal, locate the crimped end of terminal, and look for the "v" side of crimp. This is the same side that the locking tab is located on the terminal. From the opposite end of connector, insert a thin, filed down screwdriver into the cavity to collapse the locking tang. Gently pull wire from behind and the terminal will release.
 To re-install, simply pull the locking tab up into position and insert the terminal in the new connector.

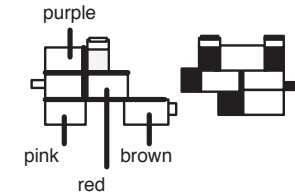


DETAIL "F"

Stock Turn Signal Wires - to - Kit



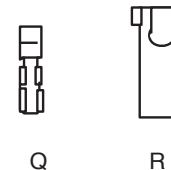
Connecting to a GM column mounted ignition switch.



NOTE: After installing the proper wires into the ignition switch connectors, the white connector should be plugged into the ignition switch first, then the black connector. The black connector must be plugged into switch, as this will lock the white connector to switch.

Note: Terminals are provided for most connections on your wiring kit. Use the provided terminals and connector to install the following wires:

- | | | | |
|----|--------------------|--------------------------------|--|
| 13 | IGNITION SWITCH | Red
Pink
Purple
Brown | Note: GM column mount ignition switch connectors are provided, if you are using a steering column with this feature. Connect as shown in the diagram above.
12 volt battery feed to switch
12 volt ignition feed from ignition switch to fuse panel
Starter solenoid feed wire
Accessory feed wire from ignition switch to fuse panel |
| 14 | HEATER SWITCH | Brown
Orange
Grey | Use provided connector T and terminal U (see below) to connect to an OEM style heater switch assembly for the brown and orange wires listed below. Use lamp socket V and rivet W for the OEM heater lamp.
Fused 12 volt feed to heater / ac switch
12 volt power from heater / ac switch to blower
Heater control lamp - fused battery |
| 15 | BRAKE SWITCH | Orange
White
Light Blue | Plug each of the two connectors containing the orange and white/light blue wires onto one or the other of the two blades on the brake light switch
12 volt feed to brake switch
12 volt out from the brake switch to the turn signal switch
12 volt out from the brake switch to the RB connection for the third brake lamp |
| 16 | WIPER MOTOR | White
Lt Blue | Connection of these wires are detailed in the wiper connection kit. 500613, bag O. |
| 17 | ACCY CONNECTOR | Red
Yellow
Orange
Tan | This connector can be used for many different functions. Supplied in this kit is a mating connector and terminated wires for your use. Install the wires maintaining color continuity with the wires on our harness. We recommend the following:
Cigarette lighter - fused battery, connect using terminal Q and connector R.
Radio 12 volt - fused battery.
Glove box - fused battery.
Radio 12 volt fused accessory. |
| 18 | STARTER CONNECTION | | This connector will plug into the mating connector from the Engine harness, bag J. . |
| 19 | ENGINE CONNECTION | | This connector will plug into the mating connector on the Engine harness, bag J. Wire identifications are described on the instruction sheets from bag J. |



www.americanautowire.com 856-933-0801

1960-66 Truck
 Custom Fuse Panel Harness **500559**
 92965539 instruction sheet Rev 4.0 4/2/2013