

# Classic Update Series

1960-66 Chevy Truck

## START HERE !

PLEASE READ THIS BEFORE STARTING INSTALLATION !

This wiring kit is designed for ease of installation and is for use with a 12 volt electrical system ONLY! Any 6 volt accessories will need to be converted to 12 volts before installation of any wiring. Please read the guidelines below, BEFORE STARTING your installation to guarantee a successful job. Use an appropriate crimping tool which folds the wings of the open barrel terminals down into the wire as shown below. ALL TERMINALS THAT YOU INSTALL SHOULD BE PROPERLY SOLDERED. Our factory crimped terminations are installed by GM approved five ton presses, and soldering these terminations is not necessary. AAW offers a great terminal crimping video entitled "Proper Crimping Video". It can be viewed by visiting YouTube. Type the following address into your web browser to go directly to the video: [www.youtube.com/watch?v=8u\\_EkMsioMy](http://www.youtube.com/watch?v=8u_EkMsioMy).



### STEP 1: DISCONNECT YOUR BATTERY:

Disconnect the battery before installing the wiring kit to prevent any accidental shorting caused by loose bare wire ends.

### STEP 2: START INSTALLING KIT:

This kit is broken down into individual steps that are identified by a letter printed on the instruction sheets visible through each bag. These letters are the order of operation for installing your kit. Start with the bag letter "G", then "H", etc. The order of installation is shown below.

G	500559	Dash Harness Kit
H	500608	Instrument Cluster Kit
J	500551	Engine Kit
L	500558	Front Light Kit
M	500561	Rear Body Kit
N	500614	Courtesy Lamp Kit
O	500613	Wiper Kit
P	500611	Heater Kit

### STEP 3: RECONNECT YOUR BATTERY:

When you have completed the installation and are ready to reconnect the battery, make sure that the following electrical system grounds are in place:

- Battery is grounded to the ENGINE BLOCK.
- Battery is grounded to the frame.
- Engine block is grounded to the frame.
- Body is grounded to the frame.
- RE-CHECK GROUNDS

### STEP 4: CHECK ALL ELECTRICAL FUNCTIONS:

Any non-functioning items should be checked for proper installation. Any problems with your wiring and electrical circuit functions should be addressed to American Autowire Systems, Inc. as soon as possible to avoid any warranty problems.

If you have any questions concerning this or any of our products, please feel free to call us at 1-800-482-WIRE.

also available from American Autowire

Hood & trunk lights  
Custom battery cables  
Master disconnect switch  
Terminals, connectors, grommets, light sockets  
Adjustable Fuel Warning Module  
Billet turn signal switch  
Neutral safety switch  
Glove box light  
LED lights  
...AND MUCH MORE !

FULL TECHNICAL SUPPORT  
856-933-0801

MANUFACTURED IN THE U.S.A.

### OPTIONAL ACCESSORY KITS

OE Turn Signal Switches	p/n 03765100	1960-62.
	p/n 00898197	1963
	p/n 00910821US	1964-66
OE Wiper Switches	p/n 01993541	1960-63 Single speed with washer.
	p/n 01993584	1963 Two speed with washer.
	p/n 01993641	1964-66 Two speed with washer
Master Disconnect Switch	p/n 500003	HD battery disconnect.
Battery Junction Block	p/n 500155	Use for joining battery power leads or ground leads.
Universal Relay Kit Assembly Manual	p/n 500479 p/n 36387	Complete relay kit with wiring and relay. Factory assembly manual

**THIS KIT DOES NOT SUPPORT THE USE OF (STOCK) ORIGINAL GENERATORS OR EXTERNALLY REGULATED ALTERNATORS. THE UPDATED DESIGN OF THIS NEW KIT REQUIRES MORE POWER THAN THESE ORIGINAL UNITS ARE CAPABLE OF SUPPLYING.**



**American  
Autowire**

[www.americanautowire.com](http://www.americanautowire.com) 856-933-0801

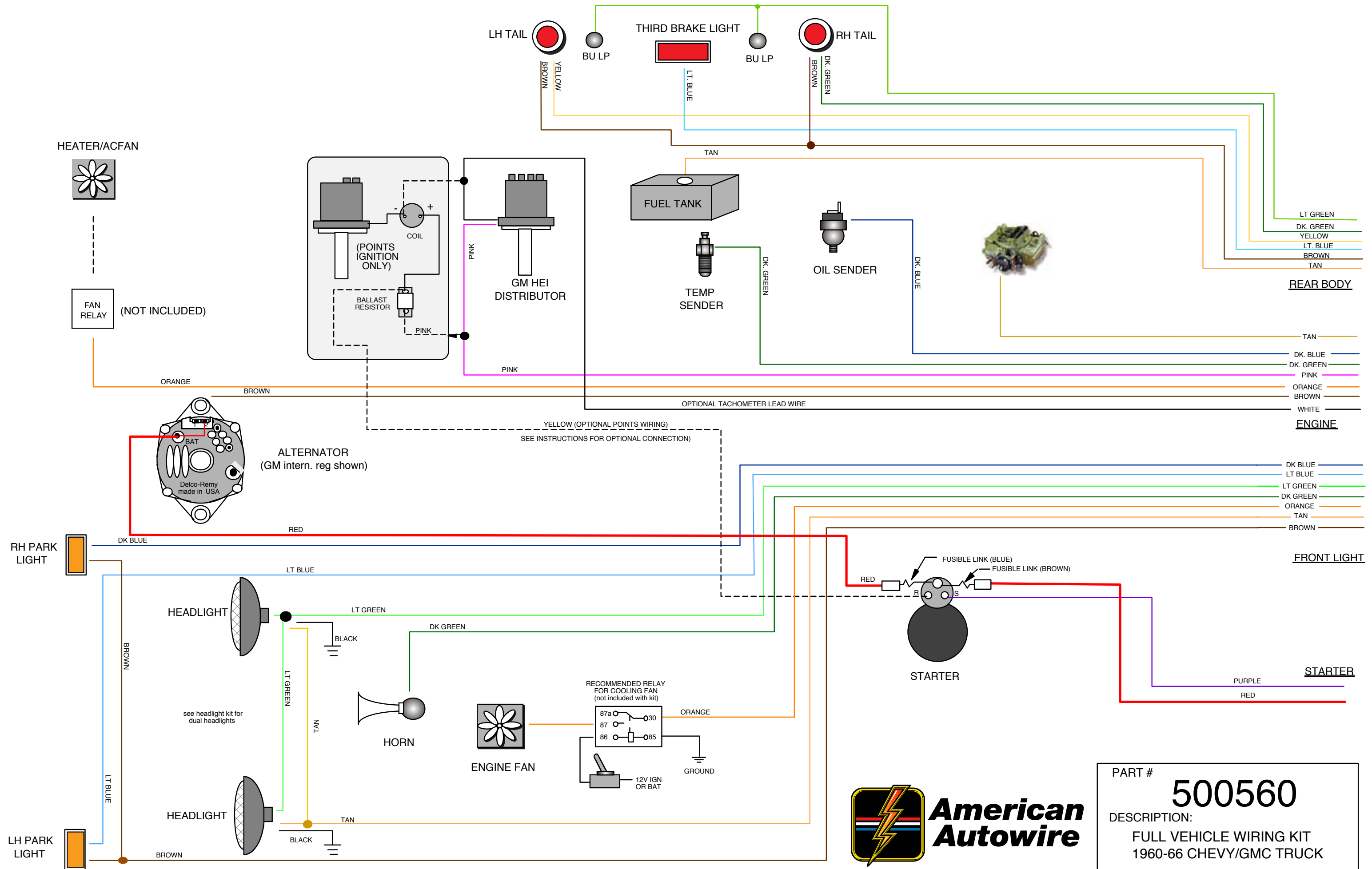
PART #

**500560**

DESCRIPTION:

FULL VEHICLE WIRING KIT  
1960-66 CHEVY/GMC TRUCK

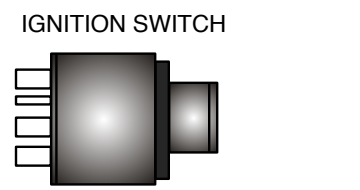
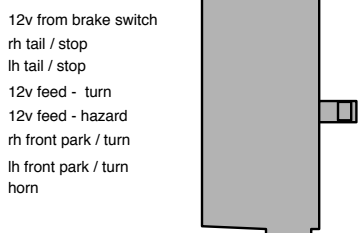
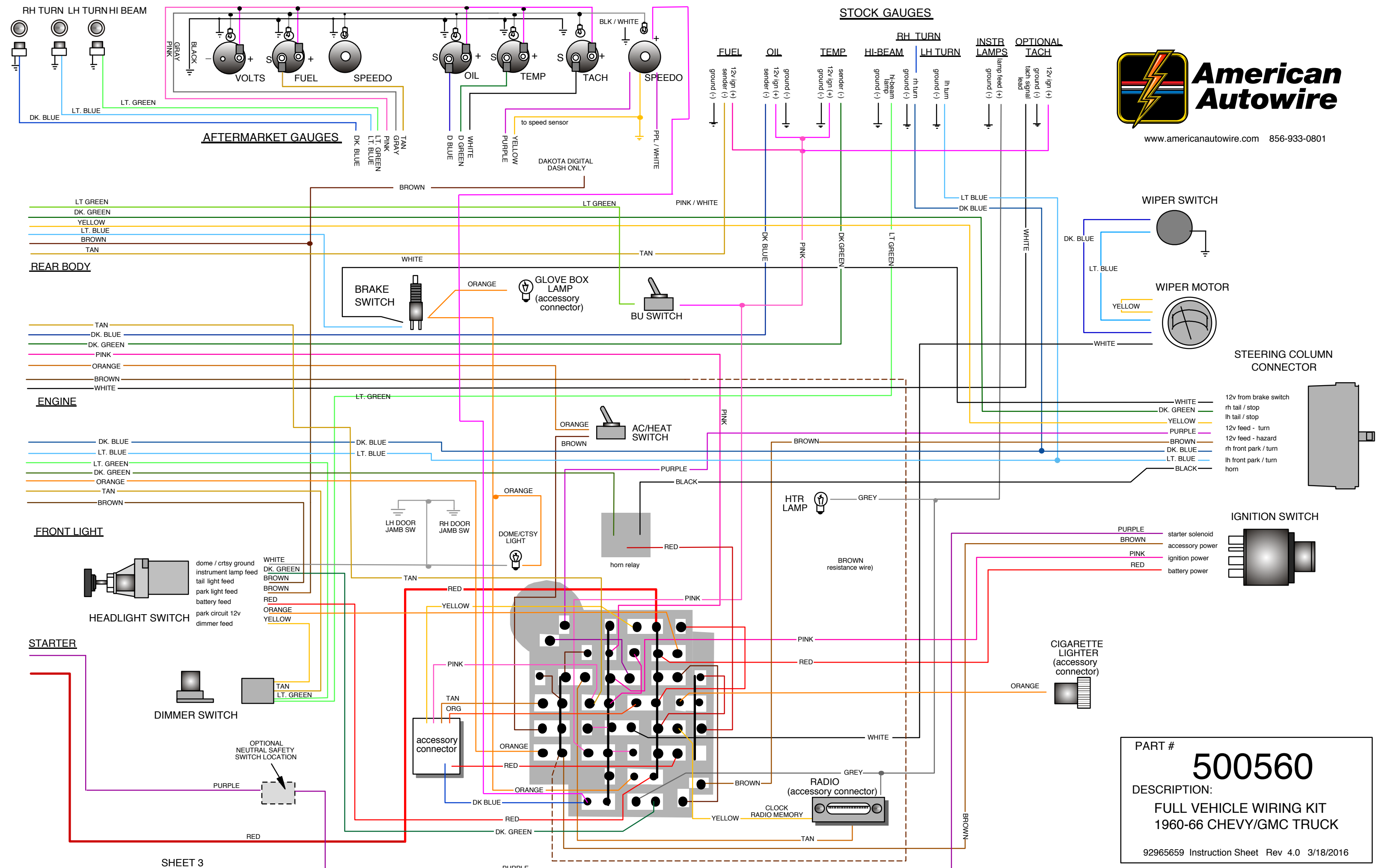
92965659 Instruction Sheet Rev 4.0 3/18/2016



PART #	<b>500560</b>
DESCRIPTION:	FULL VEHICLE WIRING KIT 1960-66 CHEVY/GMC TRUCK
92965659 Instruction Sheet Rev 4.0 3/18/2016	



www.americanautowire.com 856-933-0801



PART # **500560**

DESCRIPTION:  
**FULL VEHICLE WIRING KIT**  
**1960-66 CHEVY/GMC TRUCK**

92965659 Instruction Sheet Rev 4.0 3/18/2016

THIS PAGE HAS BEEN INTENTIONALLY LEFT BLANK



PART #

**500560**

DESCRIPTION:

FULL VEHICLE WIRING KIT  
1960-66 CHEVY/GMC TRUCK