

Classic Update Series

*** These are special instructions for connecting your wiring system to a stock instrument cluster. ***
 (Note: This kit does not support the use of a stock ammeter.)

REFER TO THE ATTACHED DIAGRAMS FOR YOUR APPLICATION YEAR. USE THE ENCLOSED PARTS AND INFORMATION BELOW FOR WIRE TERMINATION AND GAUGE CONNECTION.

NOTE: If you are using after market gauges, follow the instructions from the after market gauge package included in this kit (92965220)

CONNECTOR A

DK BLUE	Right Turn Lamp	Install components shown on the following sheets, and plug into the right turn hole in cluster.
LT BLUE	Left Turn Lamp	Install components shown on the following sheets, and plug into the left turn hole in cluster.
LT GREEN	Hi Beam Indicator Lamp	Install components shown on the following sheets, and plug into the high beam hole in cluster.
PINK	12v ignition	Install components shown on the following sheets, and connect to proper gauges requiring a 12v ignition feed.
BLACK	Ground	Connect to the back of the instrument cluster housing.
LT GREEN	(loose wire) COLD TEMP	This is used on 1962-1966 only. Install components shown on the following sheets, and plug into the cold temp hole in cluster.
WHITE	(loose wire) Tach	This wire is used on factory gauge applications. Install components shown on the following sheets, and plug into the tachometer.
BROWN	(loose wire) Generator Lamp	This wire is used on warning lamp applications. This wire is stamped "ALT-IGN". Install components shown on the following sheets, and plug into the generator (alternator) lamp hole in cluster.
BROWN	(loose wire) Dakota Digital	This wire is stamped "PARK LIGHTS". Use this wire if you are using a Dakota Digital instrument cluster. Follow the manufacturer's instructions and connect this wire to the 'park' lamp location to operate the dimmer for the cluster when the lights are on.

CONNECTOR B

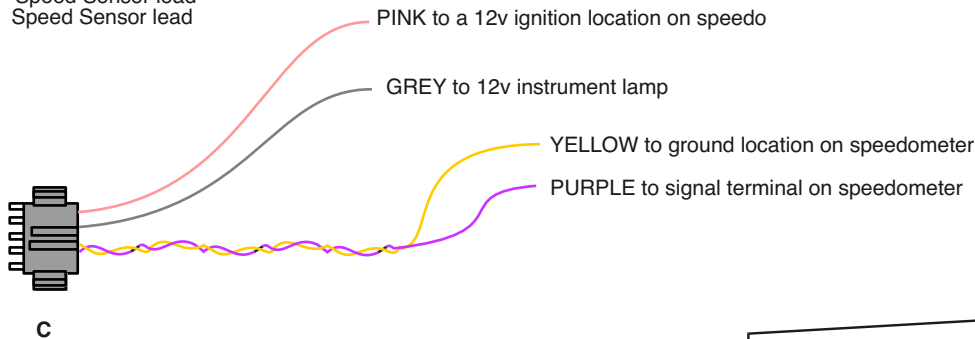
TAN	Fuel Gauge	Install components shown on the following sheets, and plug into the fuel gauge.
DK BLUE	Oil Gauge / Lamp	Install components shown on the following sheets, and plug into the oil gauge or lamp.
PINK	12v ignition	Install components shown on the following sheets, and connect to proper gauges requiring a 12v ignition feed.
DK GREEN	Temp Gauge / lamp	Install components shown on the following sheets, and plug into the temperature gauge.
GREY	Instrument Lamps	Install components shown on the following sheets, and plug into the instrument lamps.
BLACK	Ground	Connect to the back of the instrument cluster housing.

If you are using an aftermarket electronic speedometer, install the following wires as shown below.

CONNECTOR C

This connector is used when using an aftermarket electronic speedometer. Follow the manufacturer's instructions when installing these wires.
 If you are using the stock speedometer, then discard this connector.

PINK	12v ignition
GREY	Instrument Lamps
YELLOW	Speed Sensor lead
PURPLE	Speed Sensor lead



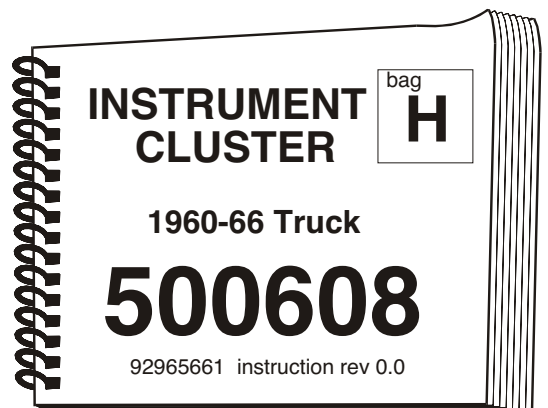
another wiring product by...



**American
Autowire**

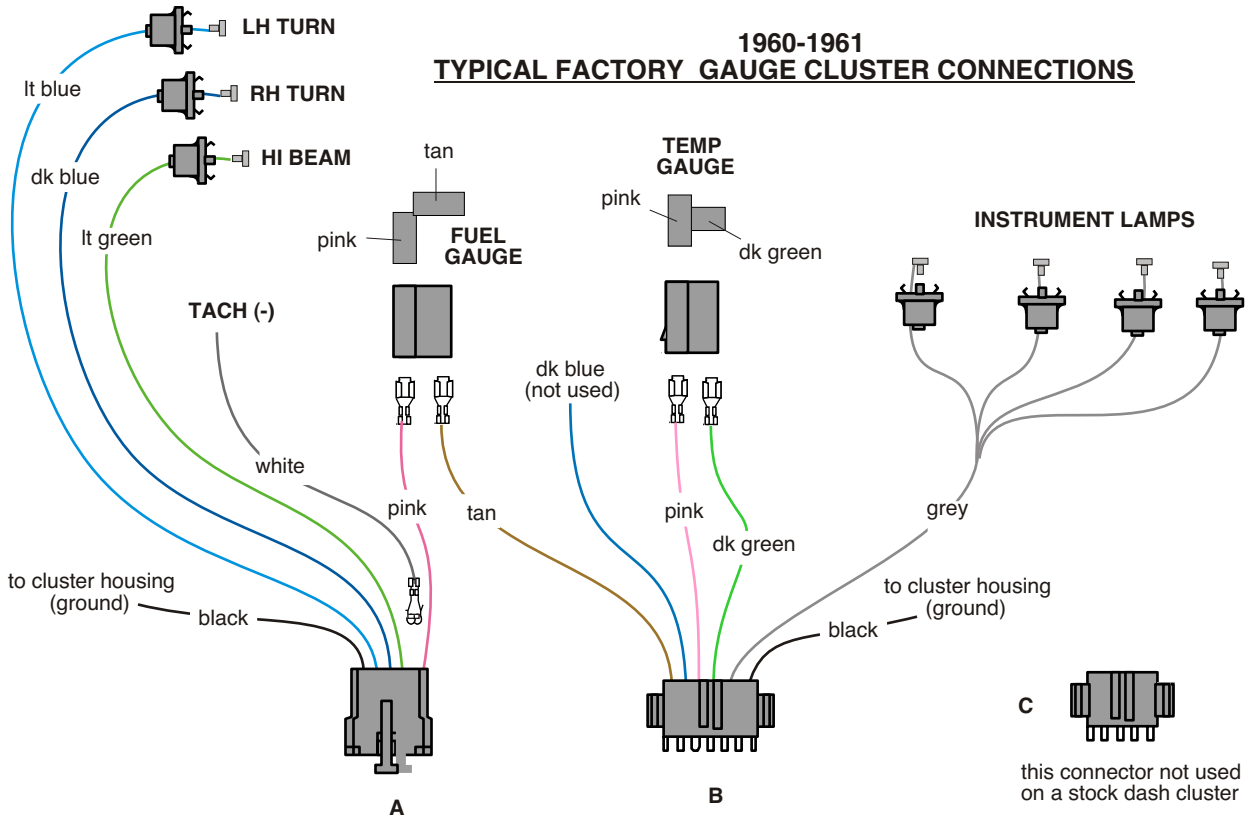
We Make Wiring Easy!!

856-933-0801

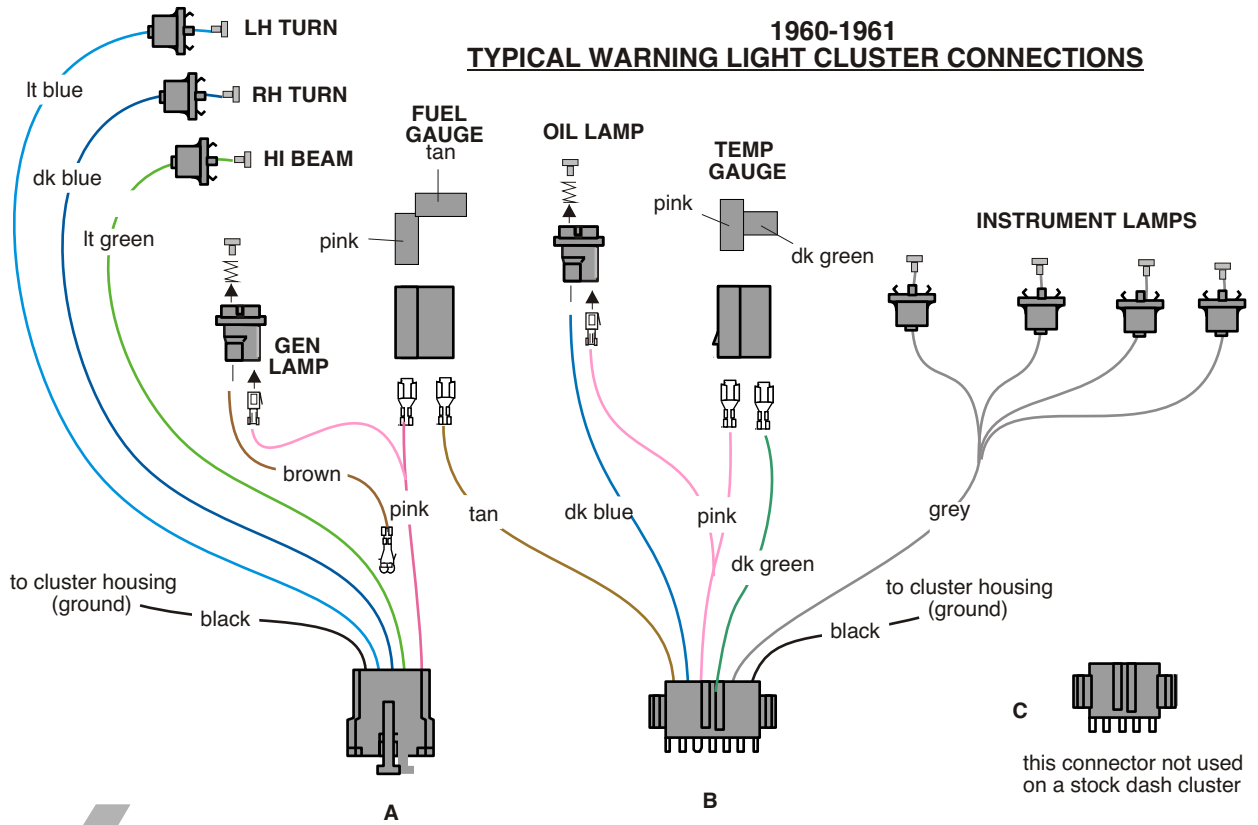


Classic Update Series

1960-1961 TYPICAL FACTORY GAUGE CLUSTER CONNECTIONS



1960-1961 TYPICAL WARNING LIGHT CLUSTER CONNECTIONS



**American
Autowire**

**Factory
automotive
wiring
Fit**

We Make Wiring Easy!!

856-933-0801

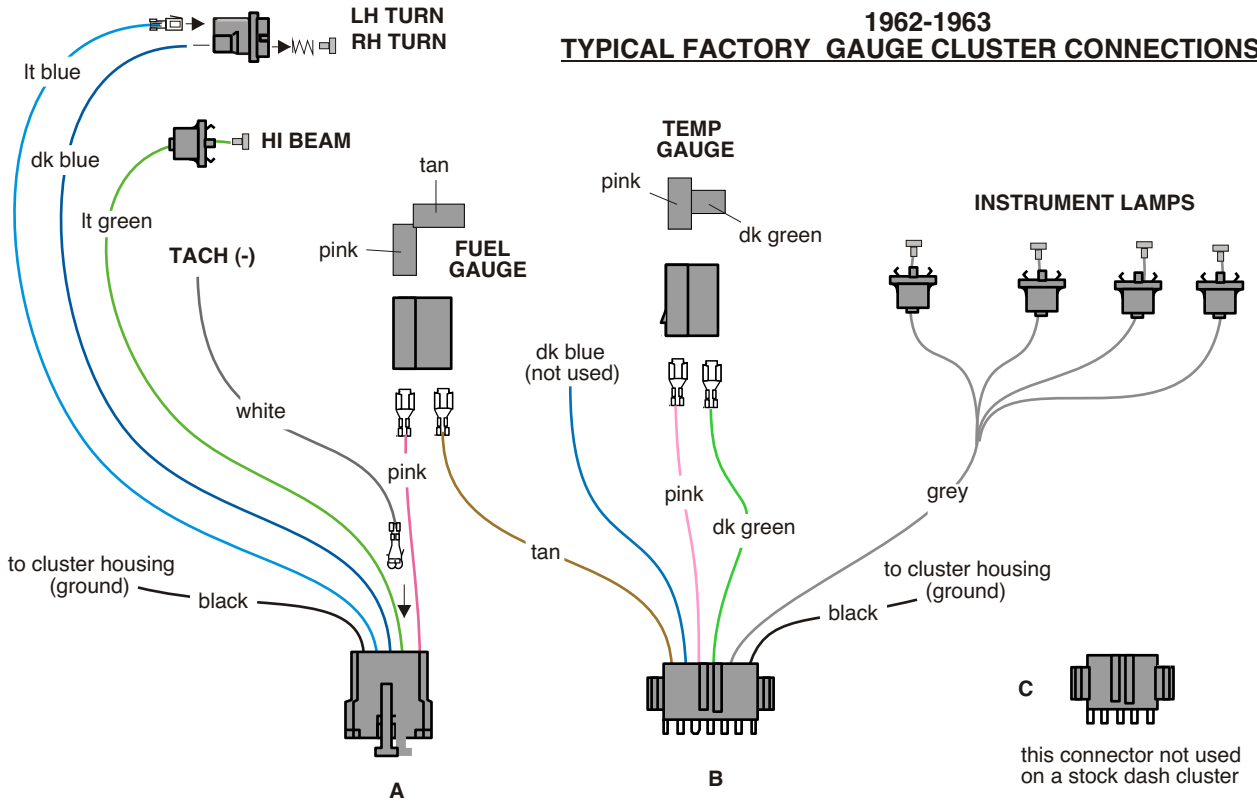
**INSTRUMENT CLUSTER
1960-66 Truck**

500608

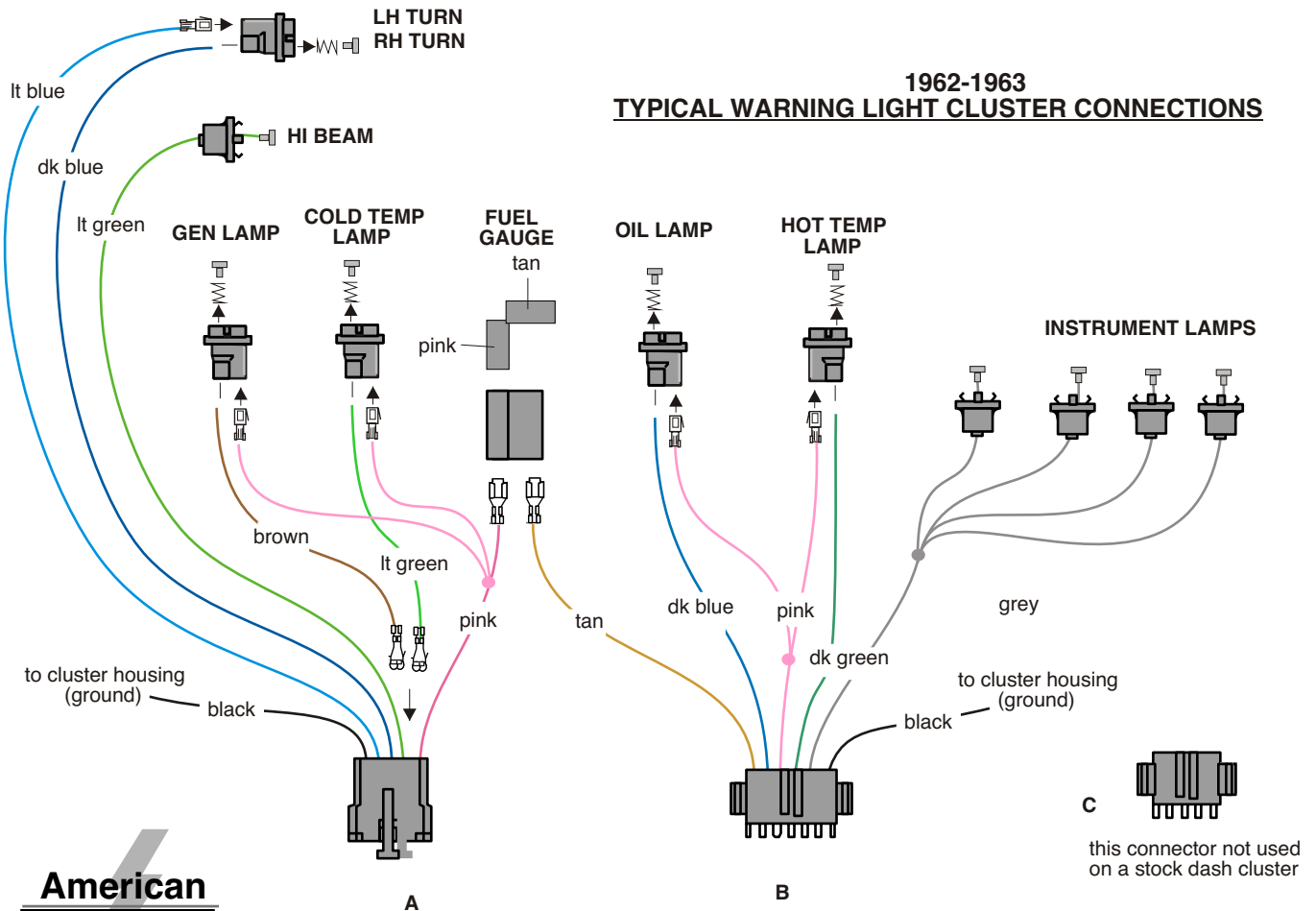
92965661 instruction rev 0.0

Classic Update Series

1962-1963 TYPICAL FACTORY GAUGE CLUSTER CONNECTIONS



1962-1963 TYPICAL WARNING LIGHT CLUSTER CONNECTIONS



**American
Autowire**
Factory
automotive
wiring
Fit

We Make Wiring Easy!!

856-933-0801

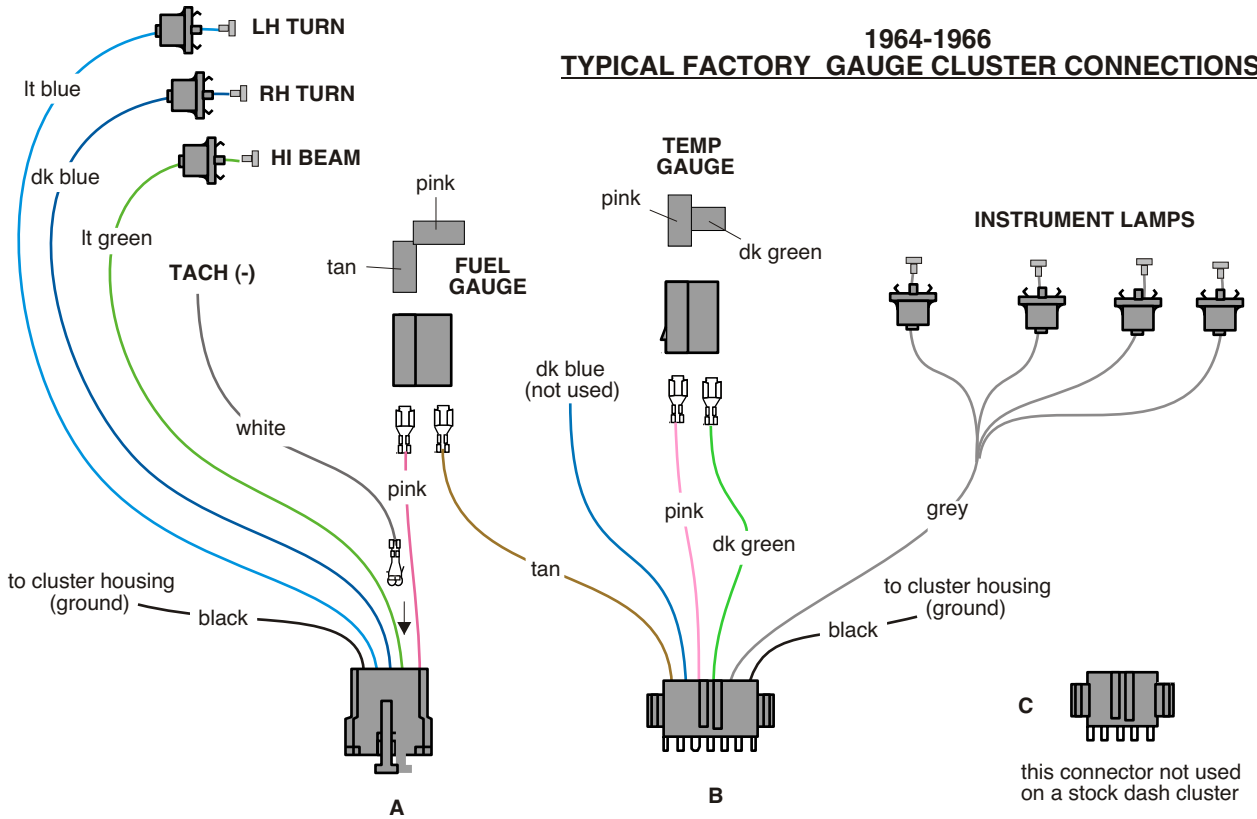
**INSTRUMENT CLUSTER
1960-66 Truck**

500608

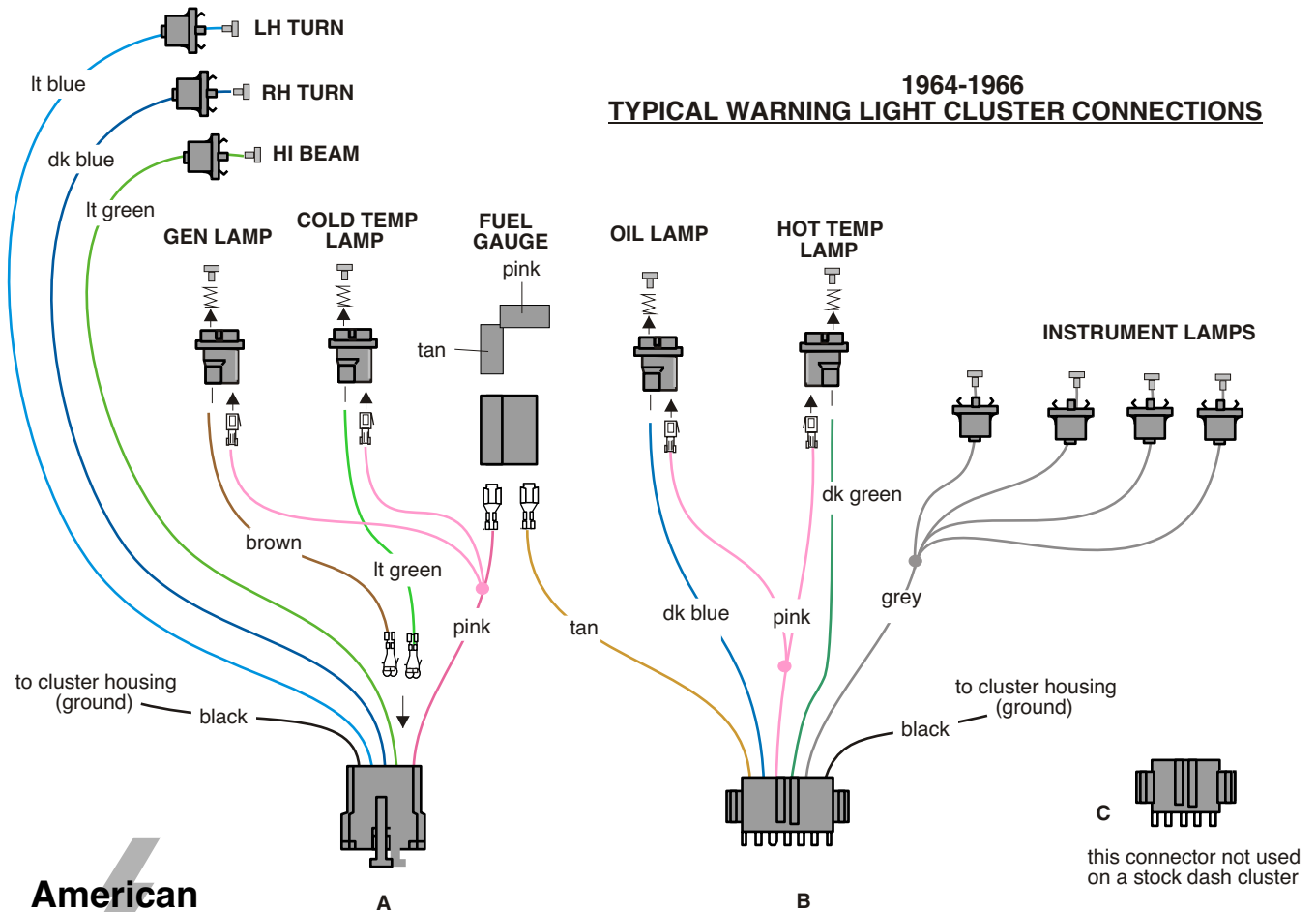
92965661 instruction rev 0.0

Classic Update Series

1964-1966 TYPICAL FACTORY GAUGE CLUSTER CONNECTIONS



1964-1966 TYPICAL WARNING LIGHT CLUSTER CONNECTIONS



**American
Autowire**
**Factory
automotive
wiring
Fit**

We Make Wiring Easy!!

856-933-0801

**INSTRUMENT CLUSTER
1960-66 Truck**

500608

92965661 instruction rev 0.0