

Classic Update Series

*** These are special instructions for connecting your wiring system to a stock instrument cluster. ***
 (Note: This kit does not support the use of a stock ammeter.)

REFER TO THE ATTACHED DIAGRAMS FOR YOUR APPLICATION YEAR. USE THE ENCLOSED PARTS AND INFORMATION BELOW FOR WIRE TERMINATION AND GAUGE CONNECTION.

NOTE: If you are using aftermarket gauges, follow the instructions from the after market gauge package included in this kit (92965220).

CONNECTOR A

DK BLUE	Right Turn Indicator	Install components shown on the following sheets, and plug into the right turn indicator hole in the cluster.
LT BLUE	Left Turn Indicator	Install components shown on the following sheets, and plug into the left turn indicator hole in the cluster.
LT GREEN	Hi Beam Indicator Lamp	Install components shown on the following sheets, and plug into the high beam hole in cluster.
PINK	12V Ignition	Install components shown on the following sheets, and connect to proper gauges requiring a 12V ignition feed.
BLACK	Ground	Connect to the back of the instrument cluster housing.
LT GREEN	(loose wire) Cold Temp	This is used on 1962-1966 only. Install components shown on the following sheets, and plug into the cold temp hole in cluster.
WHITE	Tach (loose wire)	This wire is used on factory gauge applications. Install components shown on the following sheets, and plug into the tachometer.
BROWN	Generator Lamp (loose wire)	This wire is used on warning lamp applications. This wire is stamped "ALT-IGN". Install components shown on the following sheets, and plug into the generator (alternator) lamp hole in cluster.
BROWN	Dakota Digital only (loose wire)	This wire is stamped "PARK LIGHTS". Use this wire if you are using a Dakota Digital instrument cluster. Connect to "PARK" light location according to manufacturer's instructions, in order to operate dimmer function when headlights are turned on.

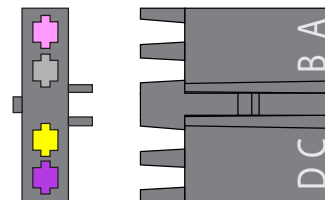
CONNECTOR B

TAN	Fuel Gauge	Install components shown on the following sheets, and plug into the fuel gauge.
DK BLUE	Oil Gauge / Lamp	Install components shown on the following sheets, and plug into the oil gauge or lamp.
PINK	12V ignition	Install components shown on the following sheets, and connect to gauges or warning lights requiring a 12V ignition feed.
DK GREEN	Temp Gauge / Lamp	Install components shown on the following sheets, and plug into the temperature gauge.
GREY	Instrument Lamps	Install components shown on the following sheets, and plug into the instrument lamps.
BLACK	Ground	Connect to the back of the instrument cluster housing.

CONNECTOR C

This connector is used when using an aftermarket electronic speedometer. Follow the manufacturer's instructions when installing these wires. **Twist the YELLOW and PURPLE wires together for their entire length to prevent interference. If you are using the stock speedometer discard this connector.**

PINK	12V Ignition	Connect to speedometer power.
GREY	Instrument Lamps	Connect to speedometer lamp.
YELLOW	Speedo Ground	Connect to VSS negative.
PURPLE	Speedo Signal	Connect to VSS input.

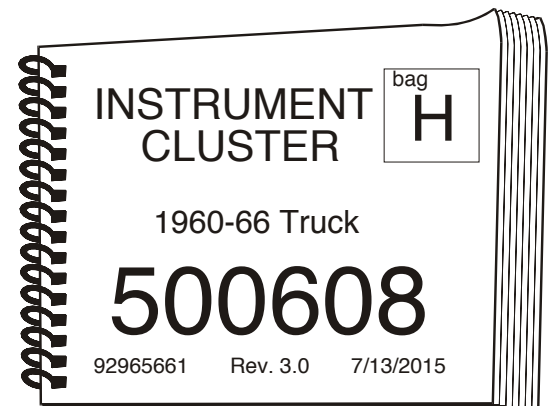


CONNECTOR C

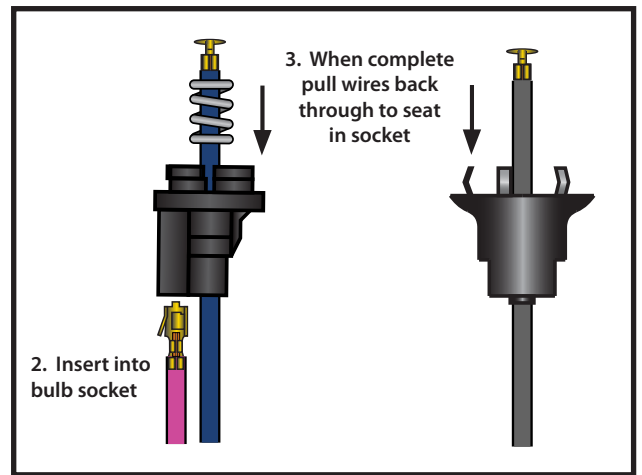
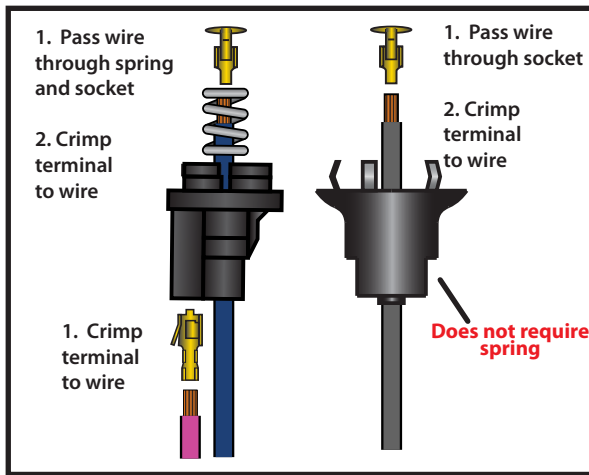


**American
Autowire**

www.americanautowire.com 856-933-0801

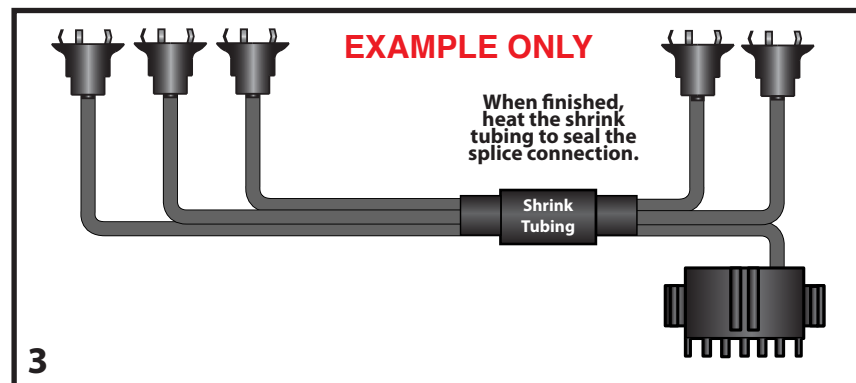
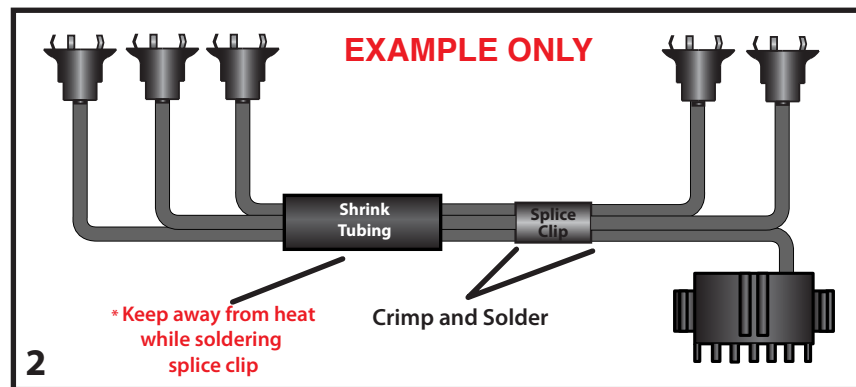
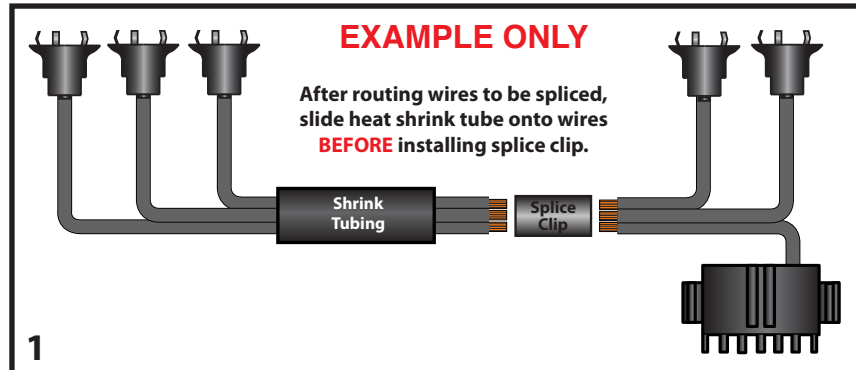


How to install lamp sockets and lamp socket terminals.

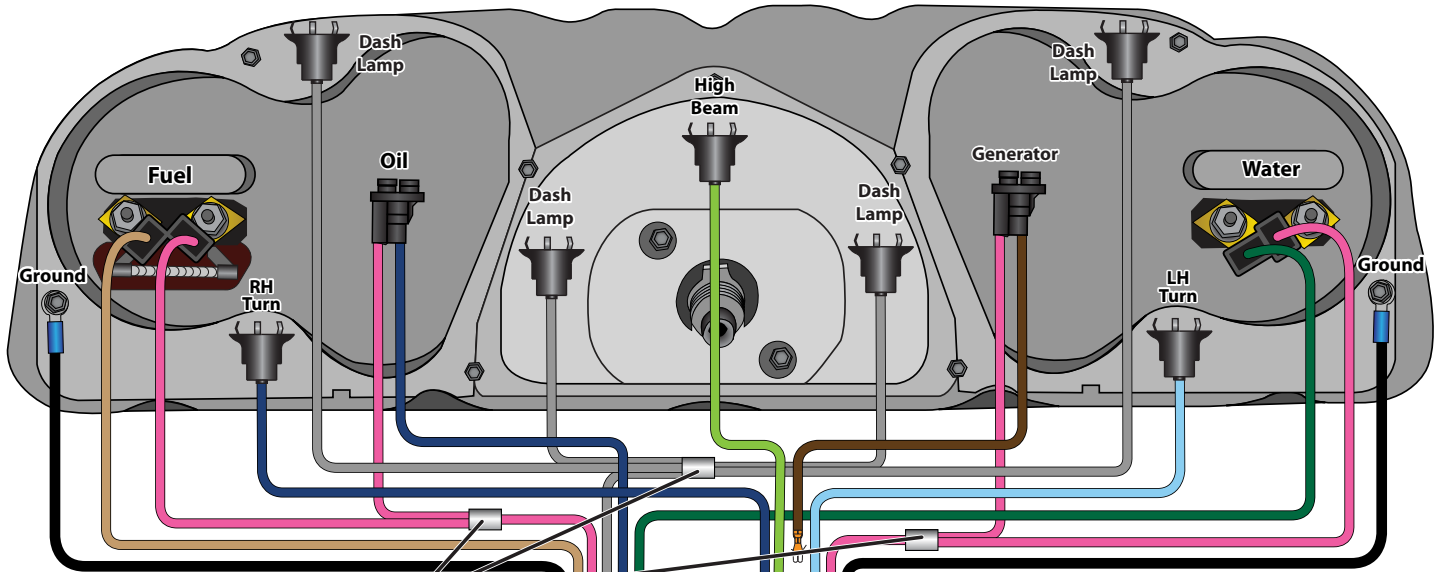


How to use the splice clip to join multiple wires.

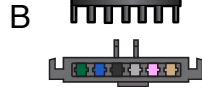
Below is just an **EXAMPLE** of how to use the splice clip and shrink tubing, see your specific application on the following pages for actual splice information.



1960-61 CHEVY TRUCK WITH WARNING LIGHTS



Splice Clip
instructions
on page 2



Detail View



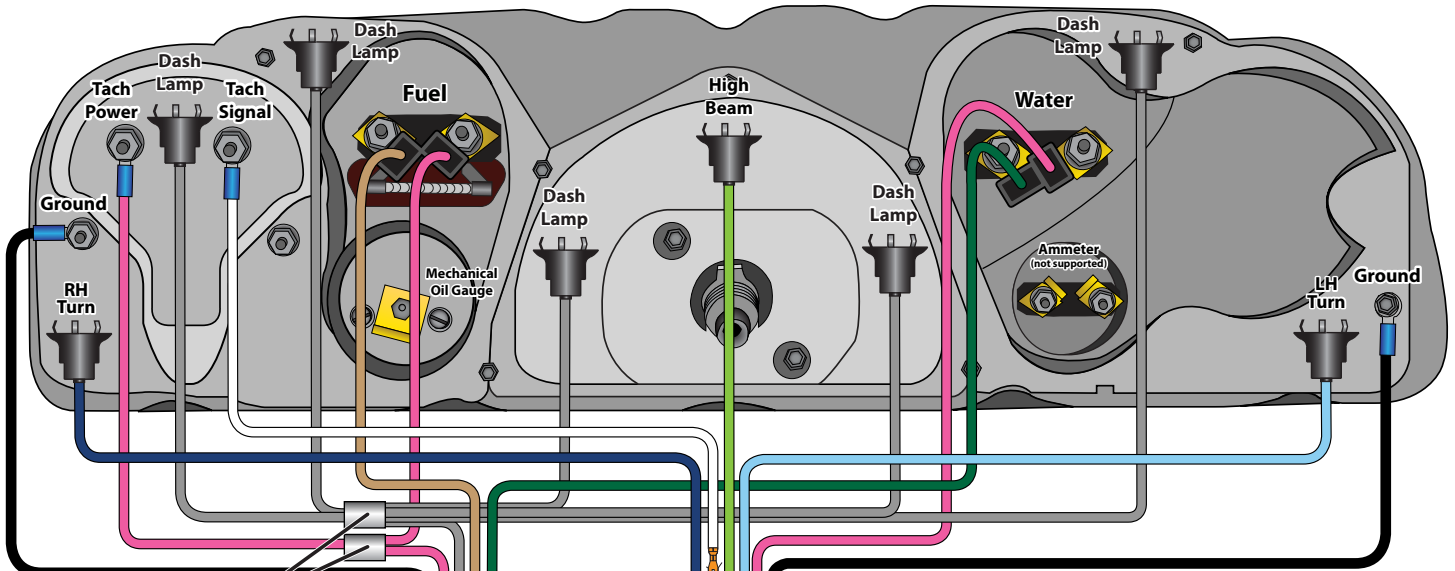
Brown "PARK LIGHTS"
for dimmer function

Tach wire if used

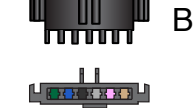
Detail View

For proper wire
locations, refer
to "Detail View"

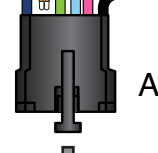
1960-61 CHEVY TRUCK WITH Gauges



Splice Clip
instructions
on page 2



Detail View

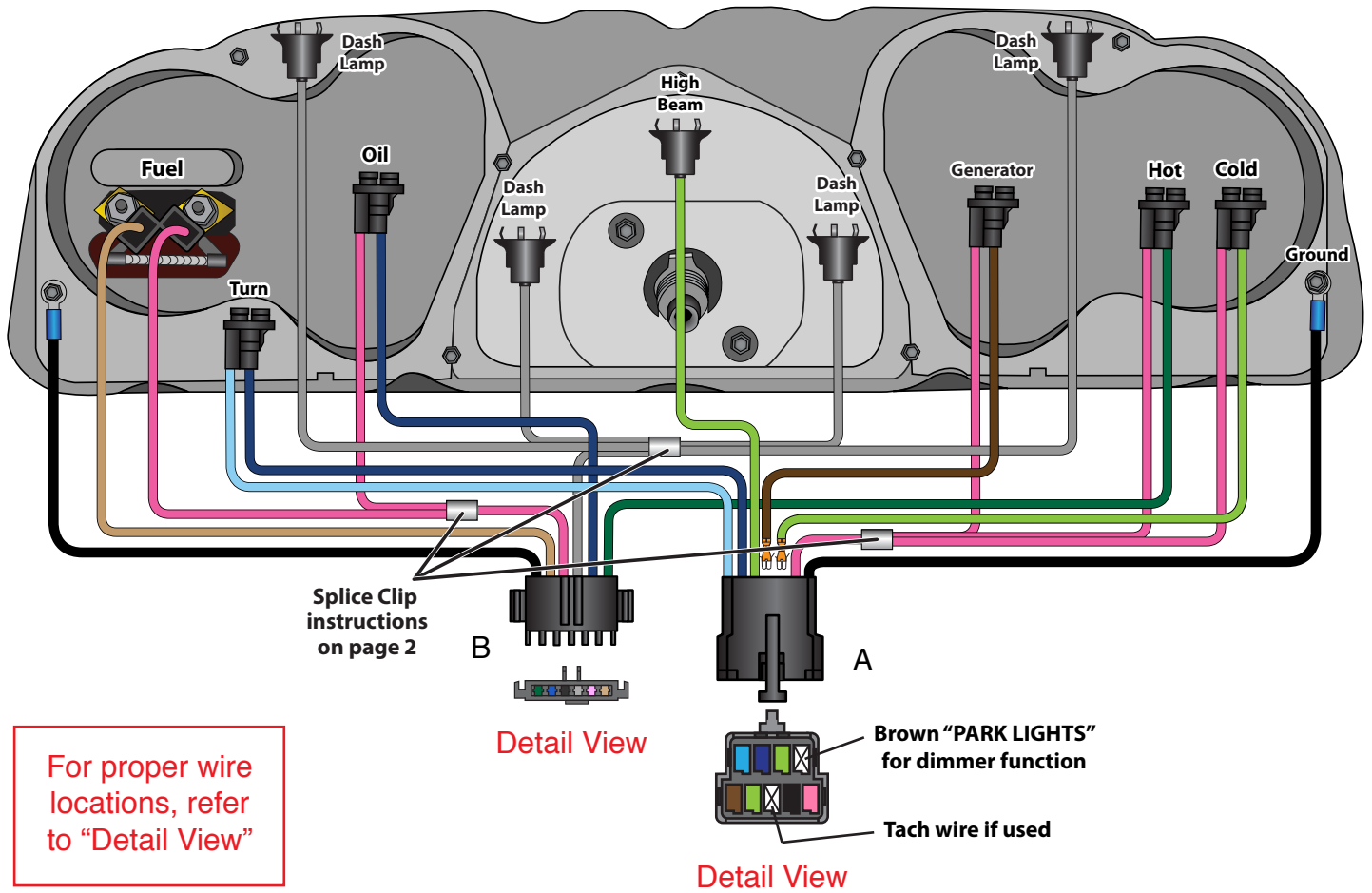


Brown "PARK LIGHTS"
for dimmer function

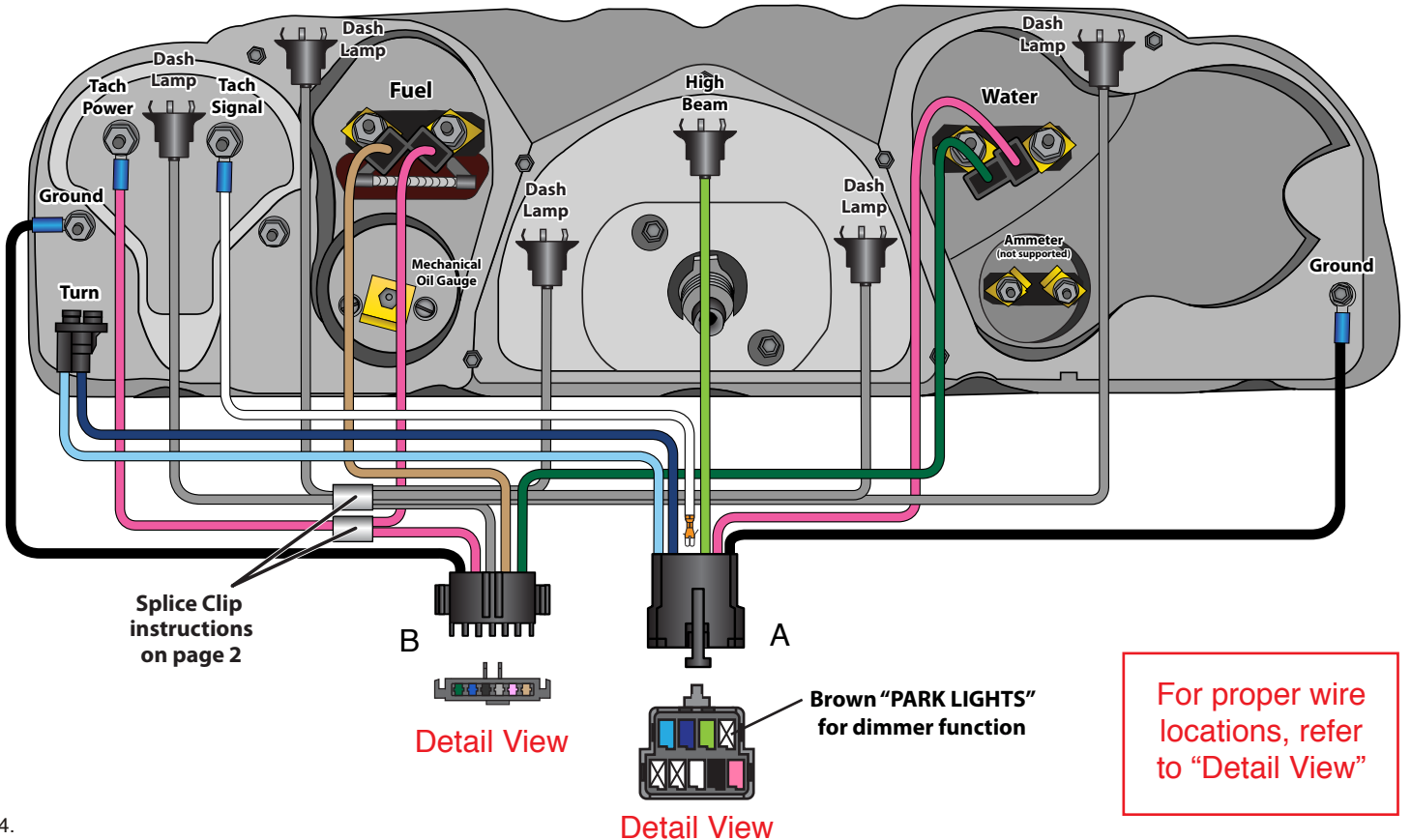
Detail View

For proper wire
locations, refer
to "Detail View"

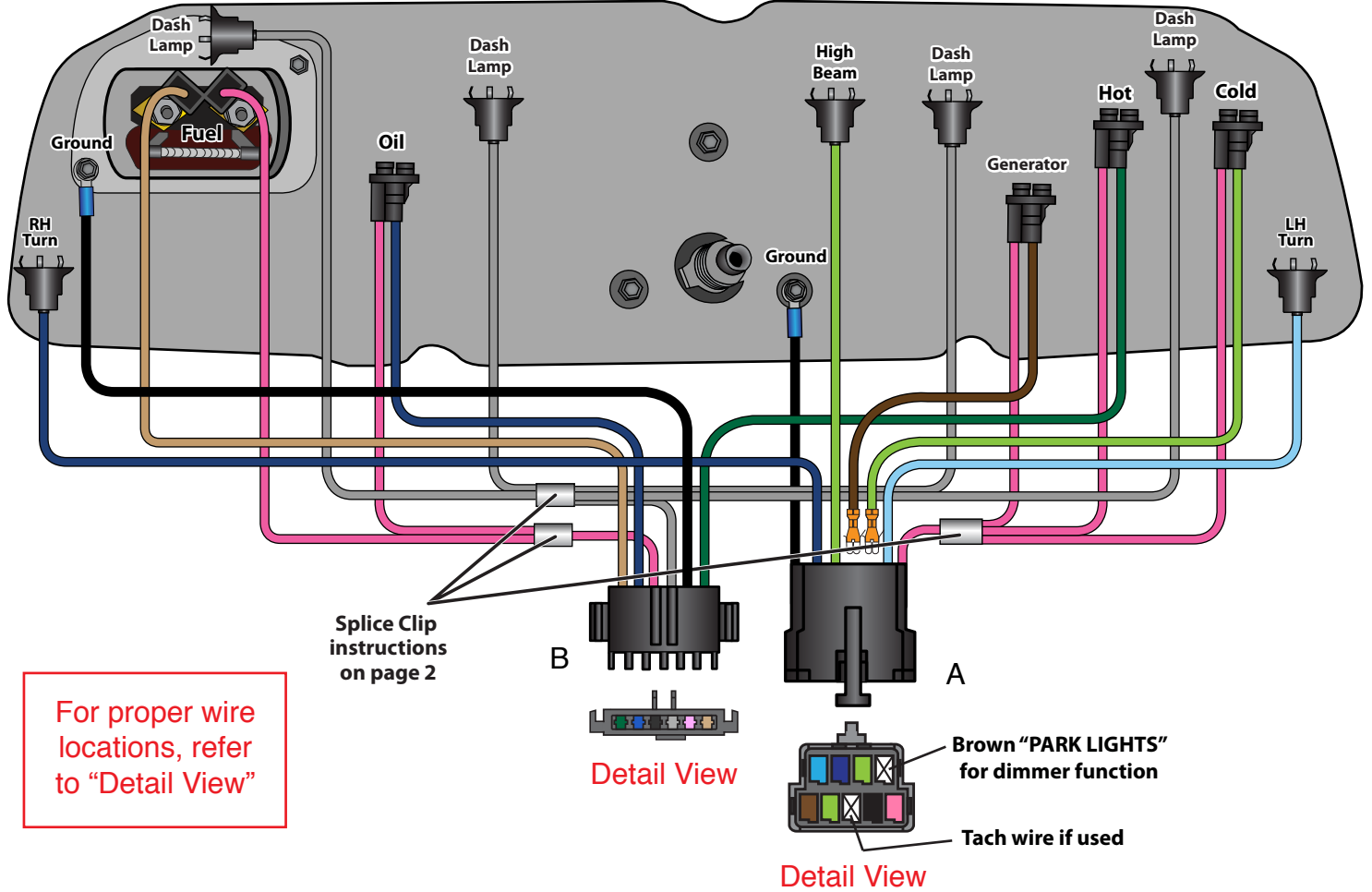
1962-63 CHEVY TRUCK WITH WARNING LIGHTS



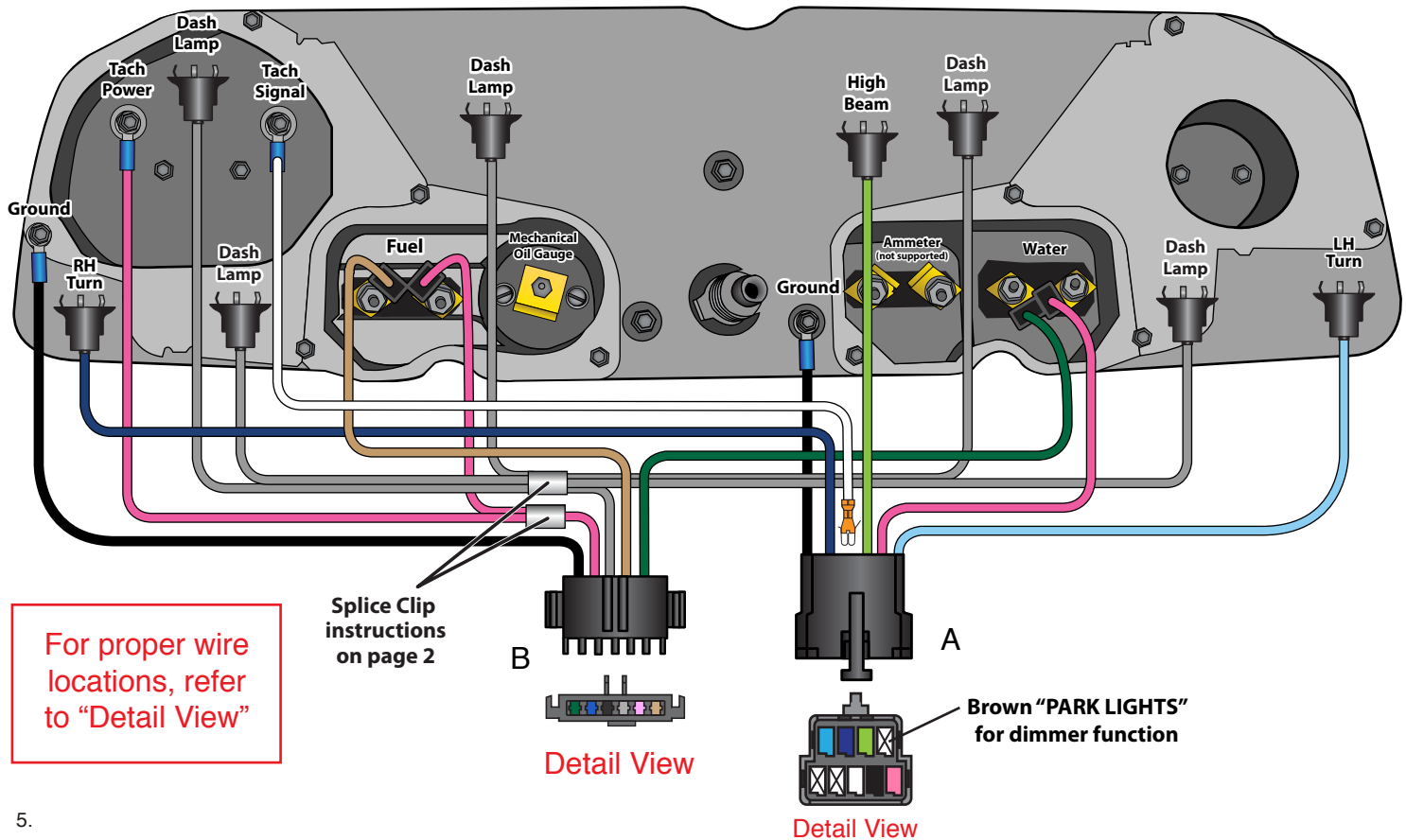
1962-63 CHEVY TRUCK WITH GAUGES



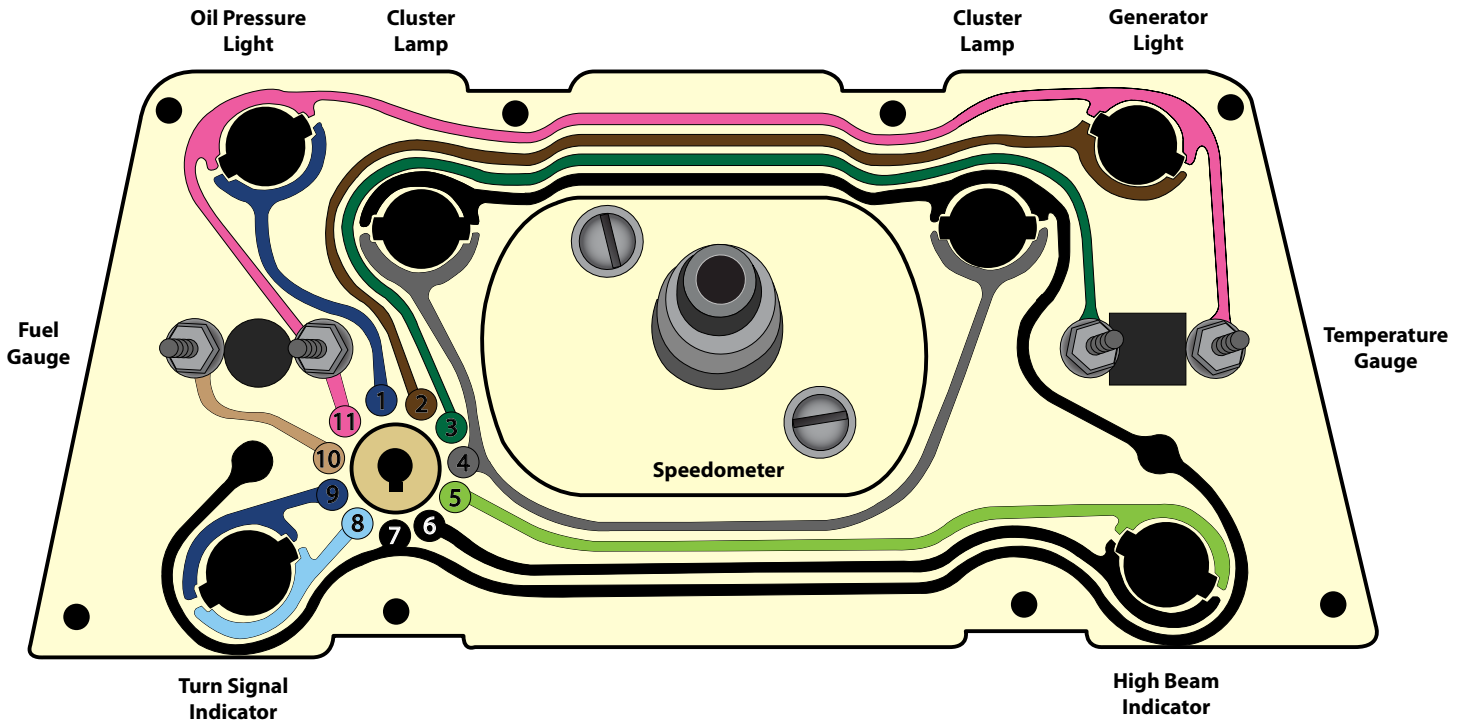
1964-66 CHEVY TRUCK WITH WARNING LIGHTS



1964-66 Chevy Truck Gauges



1960-66 GMC Cluster Diagram



To connect to your original GMC Gauge Cluster, cut all the wires 4 inches back from the original round cluster connector. Splice to the AAW Gauge Kit, following the colors shown above.