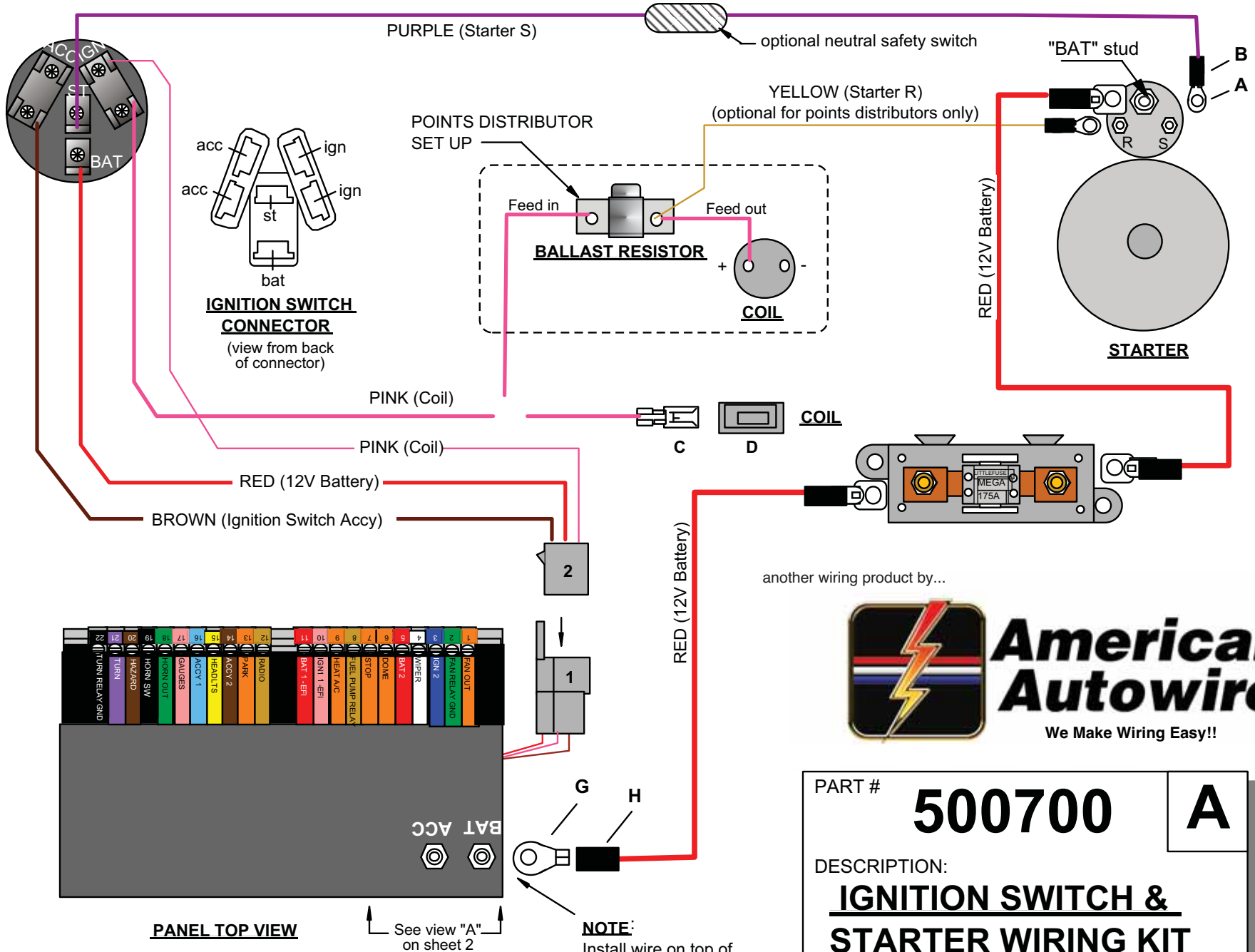


USE THIS SHEET FOR
HIGHWAY 22 WIRING KIT

IGNITION SWITCH



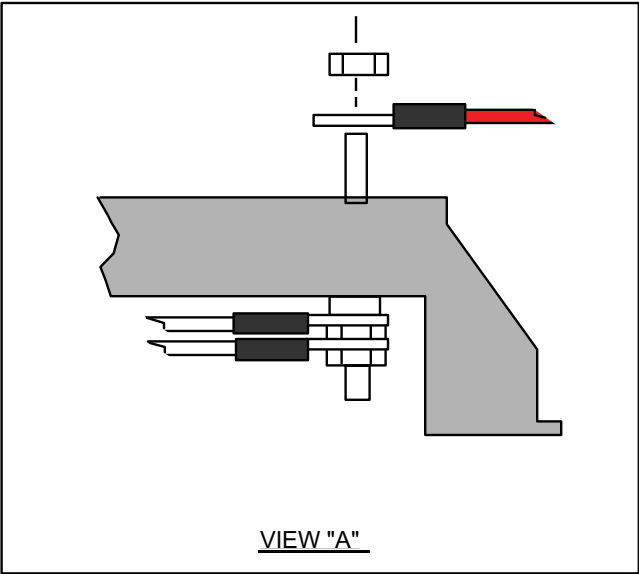
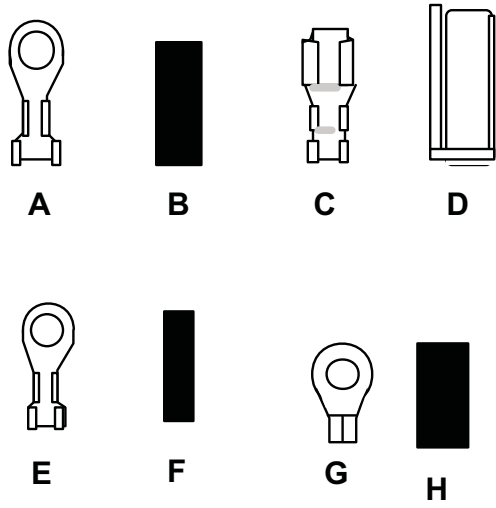
PART # **500700** **A**

DESCRIPTION:
IGNITION SWITCH & STARTER WIRING KIT

92966032 instruction sheet Rev 1.0 4/15/2009

IMPORTANT: - Your battery must be disconnected before continuing with this installation!!

<u>WIRE COLOR</u>	<u>CIRCUIT</u>	<u>INSTALLATION</u>
BROWN / RED / PINK	IGNITION SWITCH	Plug connector #2 into connector #1 at panel. Route RED, PINK, and BROWN wires to the ignition switch. Using the supplied connector and terminal in the ignition switch bag 500456, connect the RED wire to the ignition switch "BAT" terminal, the PINK wire to the "IGN" terminal, and the BROWN wire to the ignition switch "ACC" terminal, as shown on sheet 1. Note: For a GM steering column ignition switch, use bag 500257, and follow the instructions in that bag.
PINK	COIL FEED	<u>On GM HEI distributors:</u> Install the female terminal C and gray plastic connector D and plug into the HEI distributor. This connector is indexed and will only plug into the "BAT" input terminal in the distributor cap. Route the other end of the pink wire to the "IGN" location on the ignition switch. Apply supplied terminal C and plug into the ignition switch connector supplied in the ignition switch bag 500456. Note: For GM steering column ignition switch, use bag 500257, and follow the instructions in that bag. <u>On an ignition system requiring a 12 volt power source:</u> Route one end of this wire to the ignition input feed of the ignition system that you are using. Route the other end of the pink wire to the "IGN" location on the ignition switch and connect using the supplied terminal C and the ignition switch connector in the ignition switch bag 500452. Note: For GM steering column ignition switch, use bag 500257, and follow the instructions in that bag. <u>On an ignition system requiring a ballast resistor:</u> Connect one end of this wire to the "feed in" side of the the ballast resistor using sleeve B and terminal A. Route the other end of the pink wire to the "IGN" location on the ignition switch and connect using the supplied terminal C and the ignition switch connector in the ignition switch bag 500456. Use remaining pink wire cut from "feed in" to go from "feed out" to your coil. (Ring terminals C and sleeves B are supplied for this connection). Note: For GM steering column ignition switch, use bag 500257, and follow the instructions in that bag.
PURPLE	STARTER SOLENOID	Connect the ring terminal end of this wire to the starter solenoid "SOL" terminal. Route the other end of this wire to your ignition switch "SOL" terminal and connect using the supplied terminal in the ignition switch bag 500456, as shown on sheet 1. If you wish to use a neutral safety switch, it should be installed "IN LINE" with this wire as shown in the circuit diagram. Note: For a GM steering column ignition switch, use bag 500257, and follow the instructions in that bag.
YELLOW	12V to RESISTOR	This wire is for the starting circuit on a points ignition system requiring a ballast resistor and a 12 volt override. Connect the end of the wire with the ring terminal to the "R" terminal on your starter solenoid. Connect the other end of this wire to the ballast resistor "feed out" side. (The side that feeds the coil) using sleeve F and terminal E.
RED	MAIN BATTERY	The main power to the panel is protected by a 175 amp MEGA-FUSE. The MEGA-FUSE connector is meant to be installed in line (as shown in the diagram) between the main power source and the Highway 22 panel. Connect the large ring terminal end (already attached to the red power wire) to the BAT stud on your starter solenoid. Route the other end of the red wire to the location chosen for the 175 amp MEGA-FUSE connector and cut it to length. Install the shrink tube sleeve and ring terminal supplied in the 500689 MEGA-FUSE kit, and connect to the MEGA-FUSE connector as shown in the circuit diagram. Connect shrink tube sleeve (H) and terminal (G) to the remaining red power wire and attach to the BAT stud on the HIGHWAY 22 panel. Route the other end of the red wire to the opposite end of the 175 amp MEGA-FUSE connector and cut it to length. Install the remaining shrink tube sleeve and ring terminal supplied in the 500689 MEGA-FUSE kit, and connect to the MEGA-FUSE connector as shown in the circuit diagram.



another wiring product by...

