

Classic Update Series

1967-68 Firebird

START HERE !

PLEASE READ THIS BEFORE STARTING INSTALLATION !

This wiring kit is designed for ease of installation. Please read the guidelines below, BEFORE STARTING your installation, to guarantee a successful job! Use an appropriate crimping tool which folds the crimp wings on the terminals as shown below. ALL TERMINALS THAT YOU INSTALL SHOULD BE PROPERLY SOLDERED. Our factory terminations are install by GM approved five ton presses, and soldering is not necessary on these terminations.



STEP 1: DISCONNECT YOUR BATTERY:

Disconnect the battery before installing the wiring kit to prevent any accidental shorting caused by loose bare wire ends.

STEP 2: START INSTALLING KIT:

This kit is broken down into individual steps that are identified by a letter printed on the instruction sheets visible through each bag. These letters are the order of operation for installing your kit. Start with the bag letter G, then H, etc. The order of installation is shown below.

G 500662 Dash Harness Kit
H 500663 Instrument Cluster Kit
J 500668 Engine Kit
L 500671 Front Light Kit
M 500673 Rear Body Kit
N 500708 Courtesy Light Kit
X 500887 Miscellaneous Add-on Kit for 1967-68 Firebird

STEP 3: RECONNECT YOUR BATTERY:

When you have completed the installation and are ready to reconnect the battery, make sure that the following electrical system grounds are in place:

- A. Battery is grounded to the ENGINE BLOCK.
- B. Battery is grounded to the frame.
- C. Engine block is grounded to the frame.
- D. Body is grounded to the frame.

STEP 4: CHECK ALL ELECTRICAL FUNCTIONS:

Any non-functioning items should be checked for proper installation. Any problems with your wiring and electrical circuit functions should be addressed to American Autowire Systems, Inc. as soon as possible to avoid any warranty problems.

If you have any questions concerning this or any of our products, please feel free to call us at 1-800-482-WIRE.

AMERICAN AUTOWIRE MAKES IT EASY !!

We carry many accessories for your 67-68 Firebird

p/n R0067108
OEM style non-stick harness tape



p/n 01993372 (1967-68)
OEM style wiper switch.



p/n 01993420
Muncie 4 speed back up lamp switch.



p/n 38131
Breakerless Ignition Module,
GM V-8 POINT CONVERSION KIT



p/n 500523
OEM large terminal crimping
tool (12-8 gauge).



p/n 500518
Multi-crimp tool (18-14 gauge).



**American
Autowire**

www.americanautowire.com 856-933-0801

Classic Update
Series

1967-68 Firebird

500886

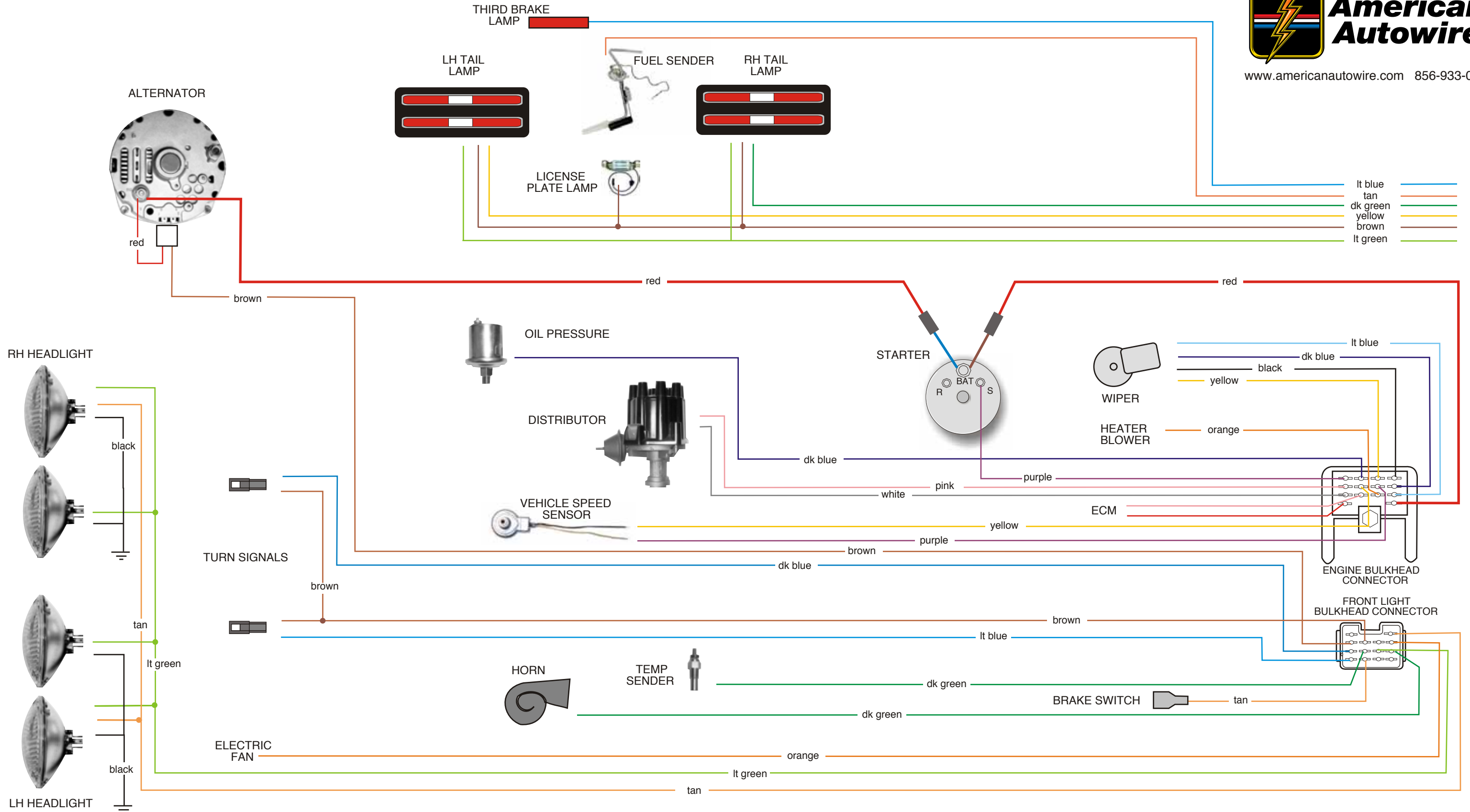
© COPYRIGHT 2004 American Autowire / Factory-Fit
Used with express permission of
American Autowire / Factory-Fit
92967715 instruction sheet rev. 3.0 9/8/2014

Classic Update Series

1967 Firebird



www.americanautowire.com 856-933-0801



NOTICE: This schematic drawing is for reference only. Do not use the schematic to install this wiring kit! Use the instruction sheets included in each bag, which includes directions for proper terminations, and specific applications.

500886

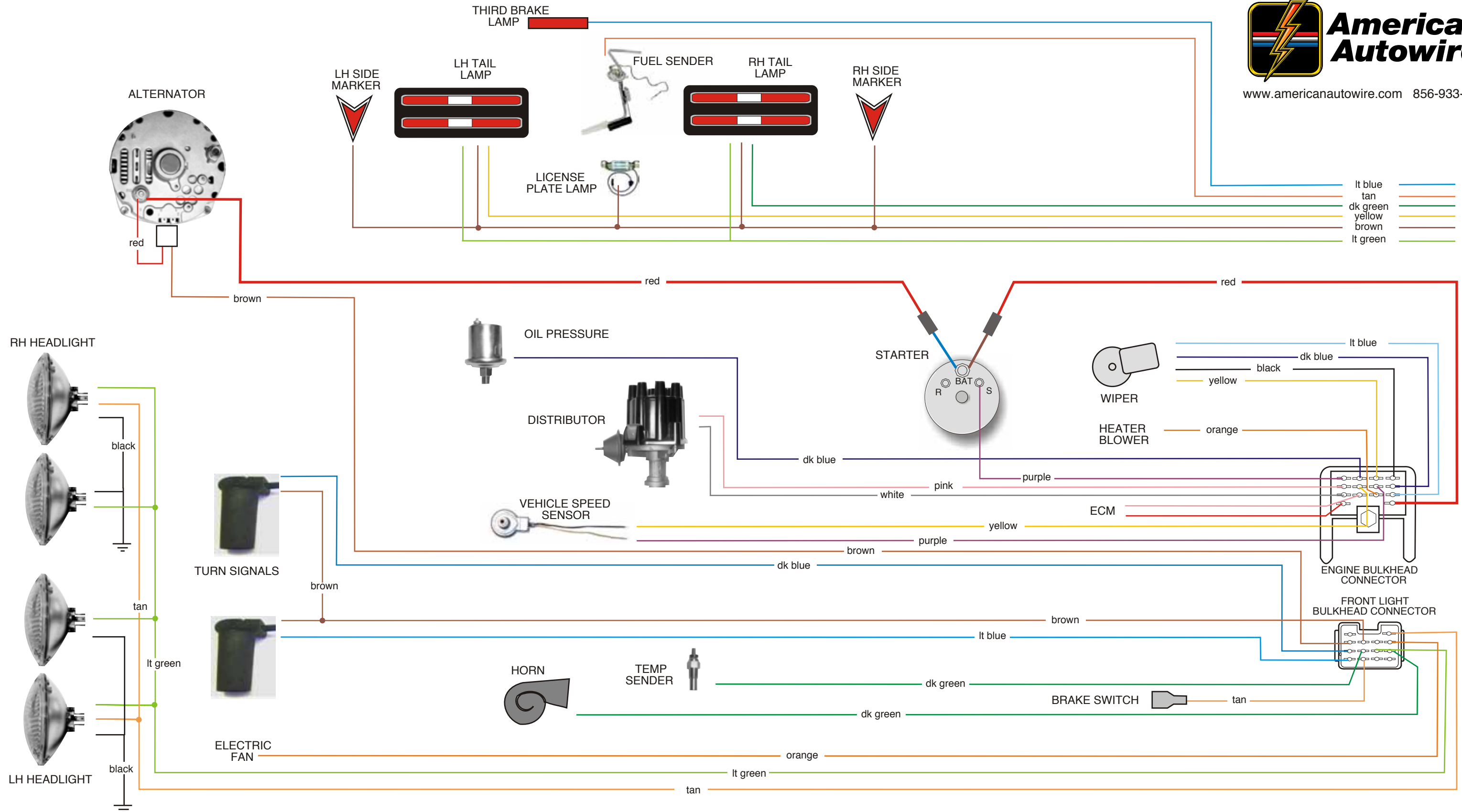
© COPYRIGHT 2004 American Autowire / Factory-Fit
Used with express permission of American Autowire / Factory-Fit
92967715 instruction sheet rev. 3.0 9/8/2014

Classic Update Series

1968 Firebird



www.americanautowire.com 856-933-0801



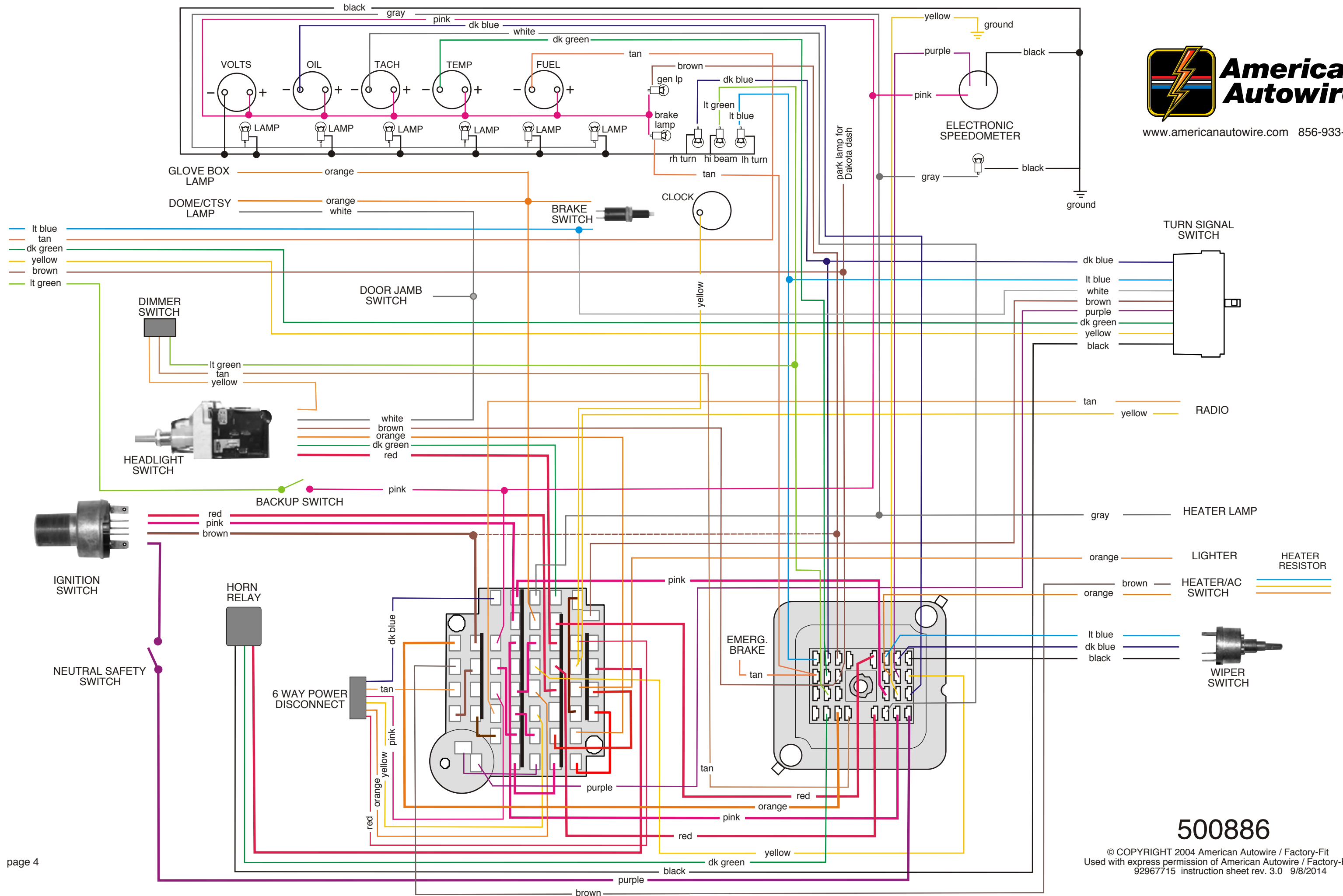
NOTICE: This schematic drawing is for reference only. Do not use the schematic to install this wiring kit! Use the instruction sheets included in each bag, which includes directions for proper terminations, and specific applications.

500886

© COPYRIGHT 2004 American Autowire / Factory-Fit
Used with express permission of American Autowire / Factory-Fit
92967715 instruction sheet rev. 3.0 9/8/2014



www.americanautowire.com 856-933-0801



- lt blue
- tan
- dk green
- yellow
- brown
- lt green

- dk blue
- lt blue
- white
- brown
- purple
- dk green
- yellow
- black

- tan
- yellow

- gray

- orange

- brown
- orange

- lt blue
- dk blue
- black

- HEATER RESISTOR
- HEATER/AC SWITCH

500886

© COPYRIGHT 2004 American Autowire / Factory-Fit
Used with express permission of American Autowire / Factory-Fit
92967715 instruction sheet rev. 3.0 9/8/2014