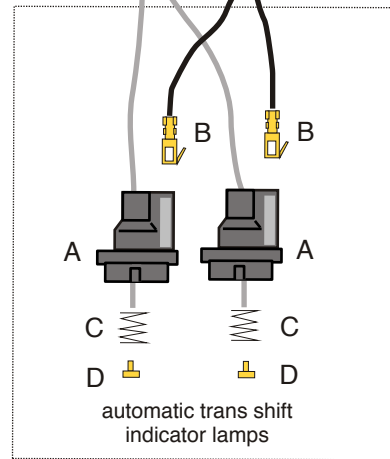


CONNECTING TO 1967-68 Firebird FACTORY CONSOLE

- GRAY Lamps** Plug connector Y into mating connector on dash harness 500662, sheet 3, item #11 and route the loose end down to the console area, and cut to length. With remaining wire, install lamp sockets as shown on this sheet using light socket A, spring C, and rivet D, then using butt splice connector E, join back together with wire from connector Y. NOTE: If using for a 1968 application, you may route wire to console area and install a single lamp socket as outlined above leaving wire longer and eliminating the need for splicing the wires back together.
- BLACK Ground** Plug connector Y into mating connector on dash harness 500662, sheet 3, item #11 and route the loose end down to the console area, and cut to length. With remaining wire, install terminal B onto wire and plug into assembled lamp sockets as shown on this sheet, then using butt splice connector E, join back together with wire from connector Y. NOTE: If using for a 1968 application, you may route wire to console area and install terminal onto wire and plug directly into single lamp socket as outlined above, leaving wire longer and eliminating the need for splicing the wires back together.
- ORANGE 12v Battery** Plug connector X into mating connector on dash harness 500662, sheet 3, item #11 and route the other end to the rear of the console and install in either location. NOTE: This wire only used in 1967 applications.
- WHITE Ctsy Grnd** Plug connector X into mating connector on dash harness 500662, sheet 3, item #11 and route the other end to the rear of the console and install into the opposite location that the orange wire was installed. NOTE: This wire only used in 1967 applications.



1967 Application is shown
1968 uses only 1 socket

Classic Update Series

1967-68 Firebird

Console Kit

500889

92967721 Rev 0.1 7/12/2017