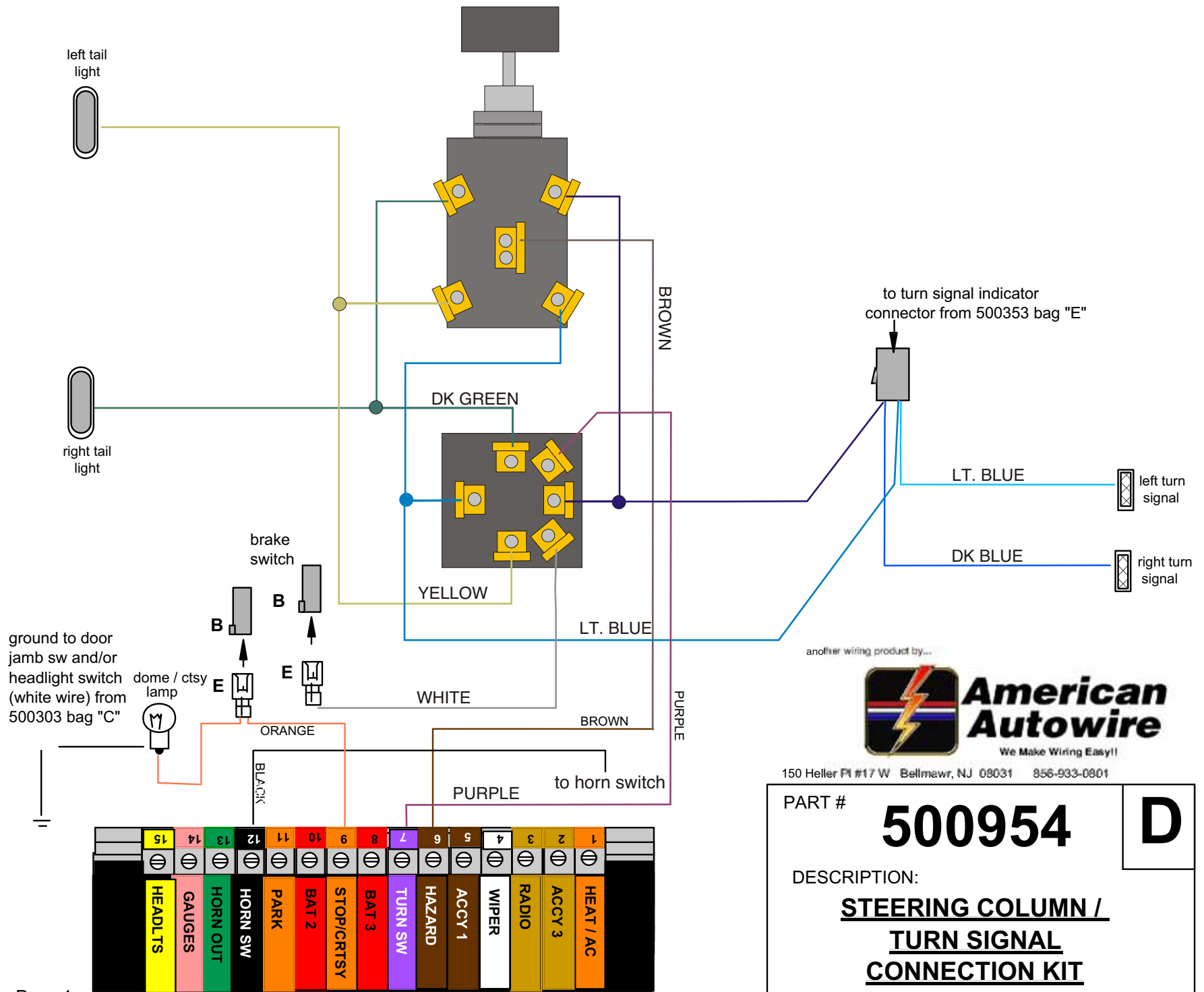


USE THIS SHEET FOR  
**HIGHWAY 15 WIRING KIT**

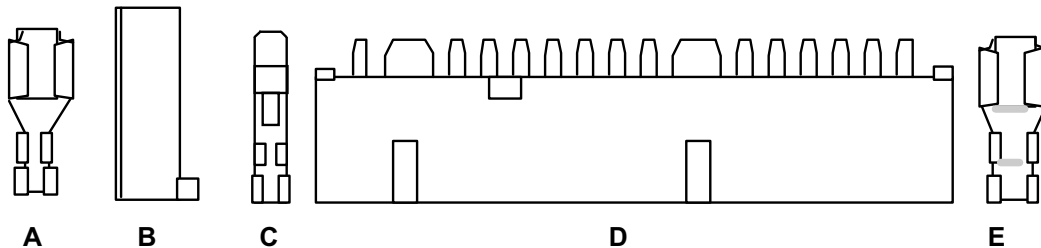


INSTALLATION INSTRUCTIONS:

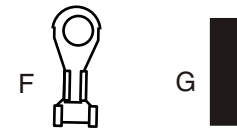
This kit in conjunction with kit 500148 AND 500221 has all the parts necessary for connecting your turn signals in. With each of the wires that connects to the turn signal switch it will be necessary to apply the terminals and connectors supplied in the 500148 turn signal switch kit. With each of the wires that connect to the 500221 hazard switch it will be necessary to apply the F ring terminals covered by the G rubber sleeves..

Install the remaining wires as follows:

<u>WIRE COLOR</u>	<u>CIRCUIT</u>	<u>INSTALLATION</u>
YELLOW	LEFT TAIL LAMP	Route and connect this wire to your left tail light (stop, and turn location)
DK GREEN	RIGHT TAIL LAMP	Route and connect this wire to your right tail light (stop, and turn location)
LT BLUE	LEFT FRONT TURN	Route and connect this wire to the left front turn signal lamp (turn location)
DK BLUE	RIGHT FRONT TURN	Route and connect this wire to the right front turn signal lamp (turn location)
ORANGE	BRAKE SWITCH FEED IN	Insert one end into the "STOP / CRTSY" location on the panel, route the wire to the brake switch and cut to length. With the cut off portion of this orange wire, double the two ends together using terminal "E" install in connector "B" and plug into the brake switch. The remaining loose end will route to the dome/courtesy lamp as shown on sheet 1.
WHITE	BRAKE SWITCH FEED OUT	Route this wire to the brake switch and cut to length, if you are using a third brake light, do not terminate yet (see LT BLUE wire below). If you are not using a third brake light, use the supplied terminal "A" and connector "B", and plug into your brake switch.
LT BLUE	THIRD BRAKE LIGHT	If you are not using a third brake light, ignore the installation of this wire. Otherwise, connect this wire to the WHITE "Brake switch feed out" wire above using the supplied terminal "E" and connector "B" and plug into the brake switch. Route the other end of LT BLUE wire to the third brake light.
BLACK	HORN GROUND	Route this wire to the panel and insert it into the "HORN SW" location on panel.
PURPLE	TURN SIGNAL FLASHER	Route this wire to the panel and insert it into the "TURN SW" location on panel.
BROWN	HAZARD FLASHER	Route this wire to the panel and insert it into the "HAZARD" location on panel.
LT BLUE / DK BLUE	TURN SIGNAL INDICATOR	Plug this wire into the 2 position connector in the 500353 kit.
BLACK	TURN RELAY GROUND	This wire is not used in this application. The grounding of the "Turn Signal Relay" is accomplished in the 500718 "ignition Switch & Starter Wiring" kit.



Page 2



# 500954

STEERING COLUMN / TURN SIGNAL CONNECTION KIT

92968083 instruction sheet    Rev 0.0    4/30/2007