



**American
Autowire**

Classic Update Series

*** These are special instructions for connecting your wiring system to a stock instrument cluster. ***
(Note: This kit does not support the use of a stock ammeter.)

REFER TO THE ATTACHED DIAGRAMS FOR YOUR APPLICATION YEAR. USE THE ENCLOSED PARTS AND INFORMATION BELOW FOR WIRE TERMINATION AND GAUGE CONNECTION.

NOTE: If you are using after market gauges, follow the instructions from the after market gauge package included in this kit (92965220)

CONNECTOR A

TAN	Brake Warning Lamp (1967 Chevelle and Nova only)	Install components shown on the following sheets, and plug into the brake light hole in cluster.
DK BLUE	Right Turn Indicator	Install components shown on the following sheets, and plug into the right turn hole in cluster.
LT BLUE	Left Turn Indicator	Install components shown on the following sheets, and plug into the left turn hole in cluster.
LT GREEN	Hi Beam Indicator Lamp	Install components shown on the following sheets, and plug into the high beam hole in cluster.
TAN	Fuel Gauge	Install components shown on the following sheets, and plug into the fuel gauge.
DK BLUE	Oil Gauge / Lamp	Install components shown on the following sheets, and plug into the oil gauge or lamp.
DK GREEN	Temp Gauge / Lamp	Install components shown on the following sheets, and plug into the temperature gauge.
WHITE	Tach(loose wire)	This wire is used on factory gauge applications. Install components shown on the following sheets, and plug into the tachometer.
BROWN	Generator Lamp (loose piece)	This wire is used on warning lamp applications. This wire is stamped "ALT-IGN". Install components shown on the following sheets, and plug into the generator (alternator) lamp hole in cluster.

CONNECTOR B

PINK	12v ignition	Install components shown on the following sheets, and connect to proper gauges or warning lights requiring a 12v ignition feed.
GREY	Instrument Lamps	Install components shown on the following sheets, and plug into the instrument lamps.
BLACK	Ground	Connect to the back of the instrument cluster housing.
BROWN	Dakota Digital only (loose wire)	This wire is stamped "PARK LIGHTS". Use this wire if you are using a Dakota Digital instrument cluster. Follow the manufacturer's instructions and connect this wire to the 'park' lamp location to operate the dimmer for the cluster when the lights are on.

CONNECTOR C

This connector is used when using an aftermarket electronic speedometer. Follow the manufacturer's instructions when installing these wires.
If you are using the stock speedometer, then discard this connector.

YELLOW	Vehicle Speed Sensor ground lead
PURPLE	Vehicle Speed Sensor signal lead

CLOCK EXTENSION

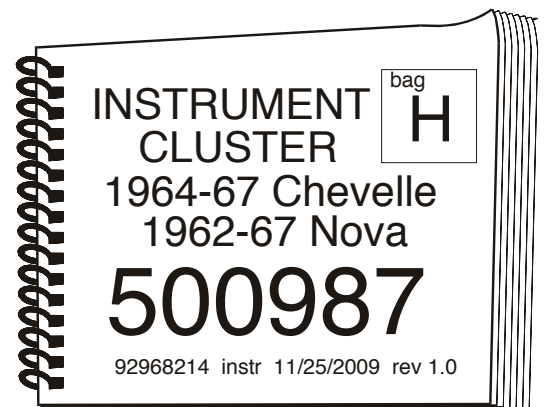
This wire assembly will plug into your factory dash mounted clock

YELLOW	Clock 12v battery power
--------	-------------------------



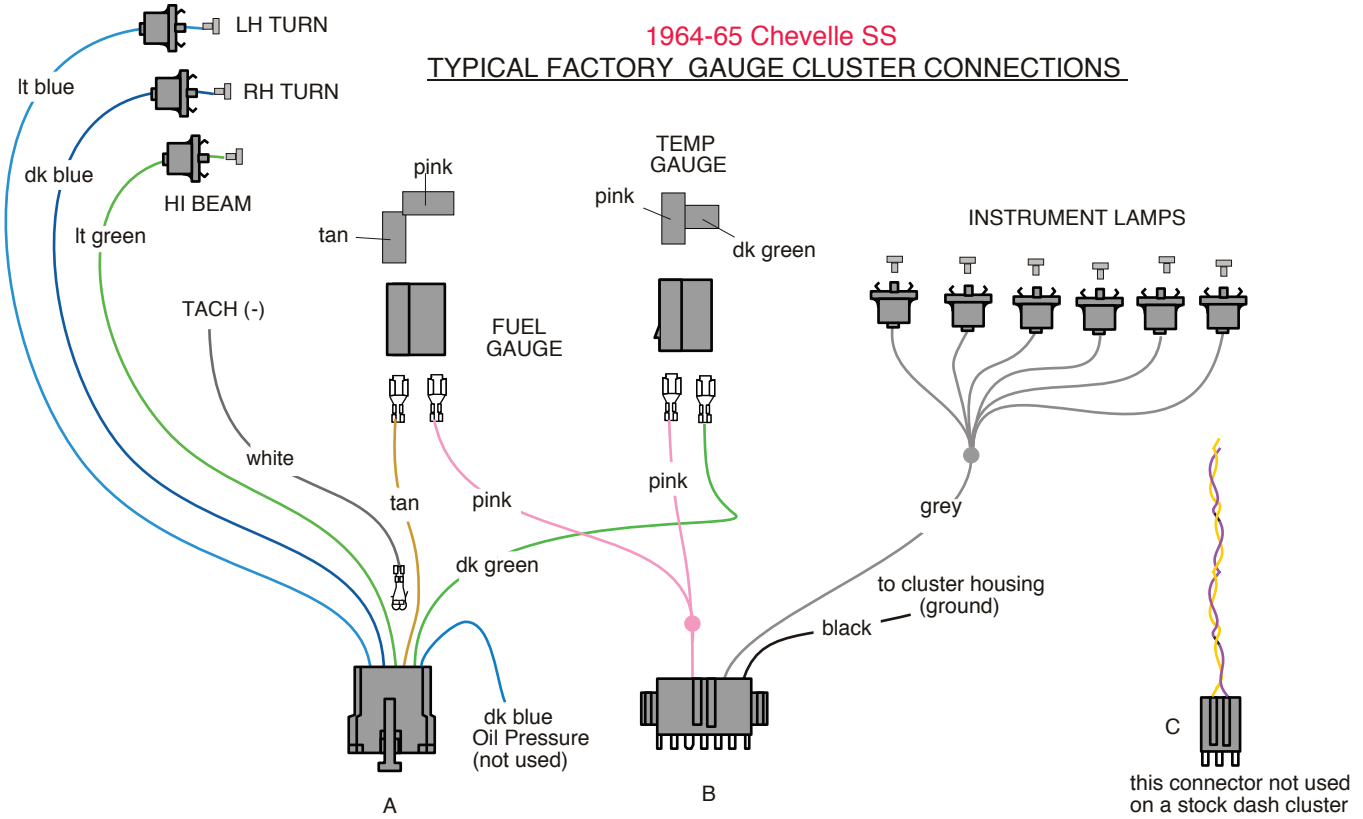
**American
Autowire**

800-482-9473

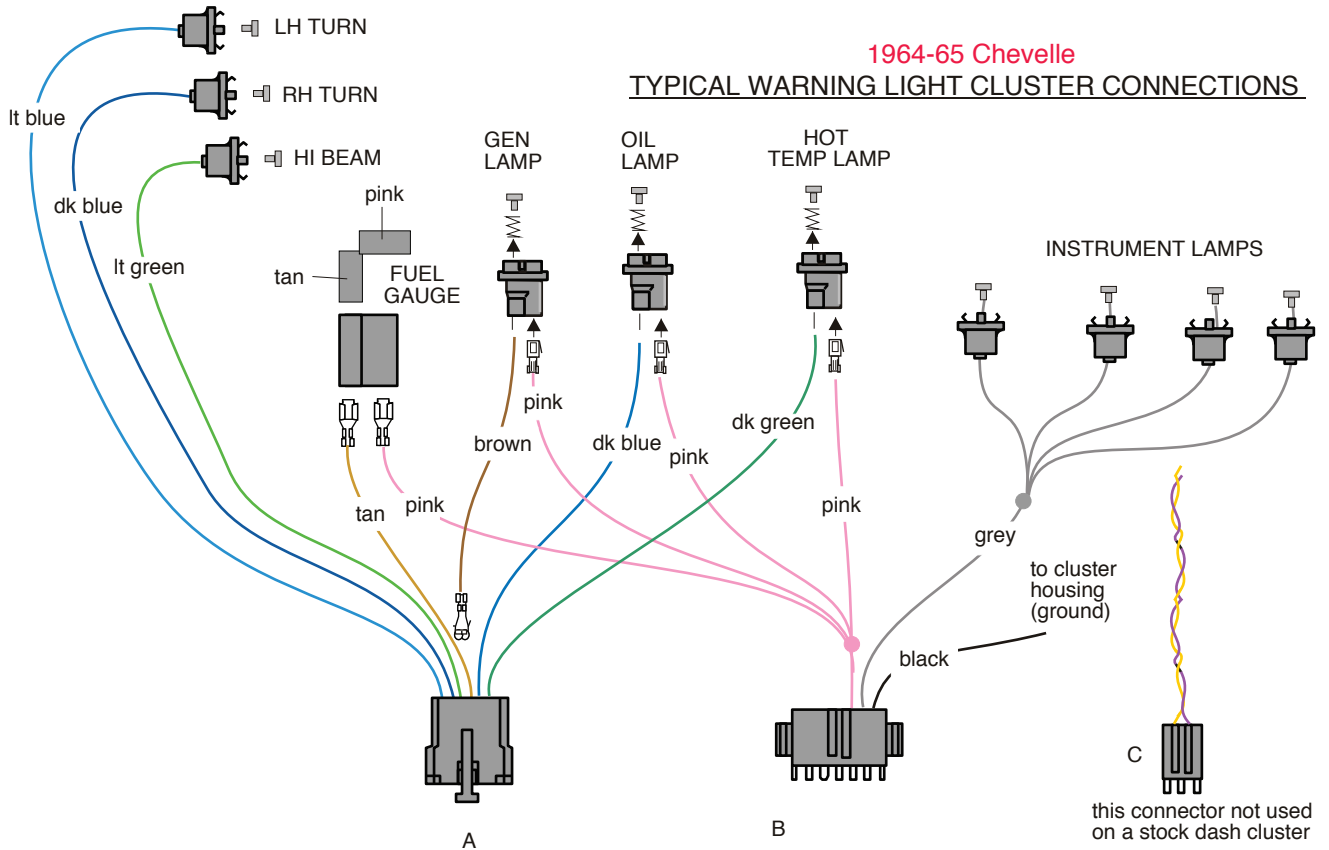


Classic Update Series

1964-65 Chevelle SS TYPICAL FACTORY GAUGE CLUSTER CONNECTIONS



1964-65 Chevelle TYPICAL WARNING LIGHT CLUSTER CONNECTIONS



**American
Autowire**

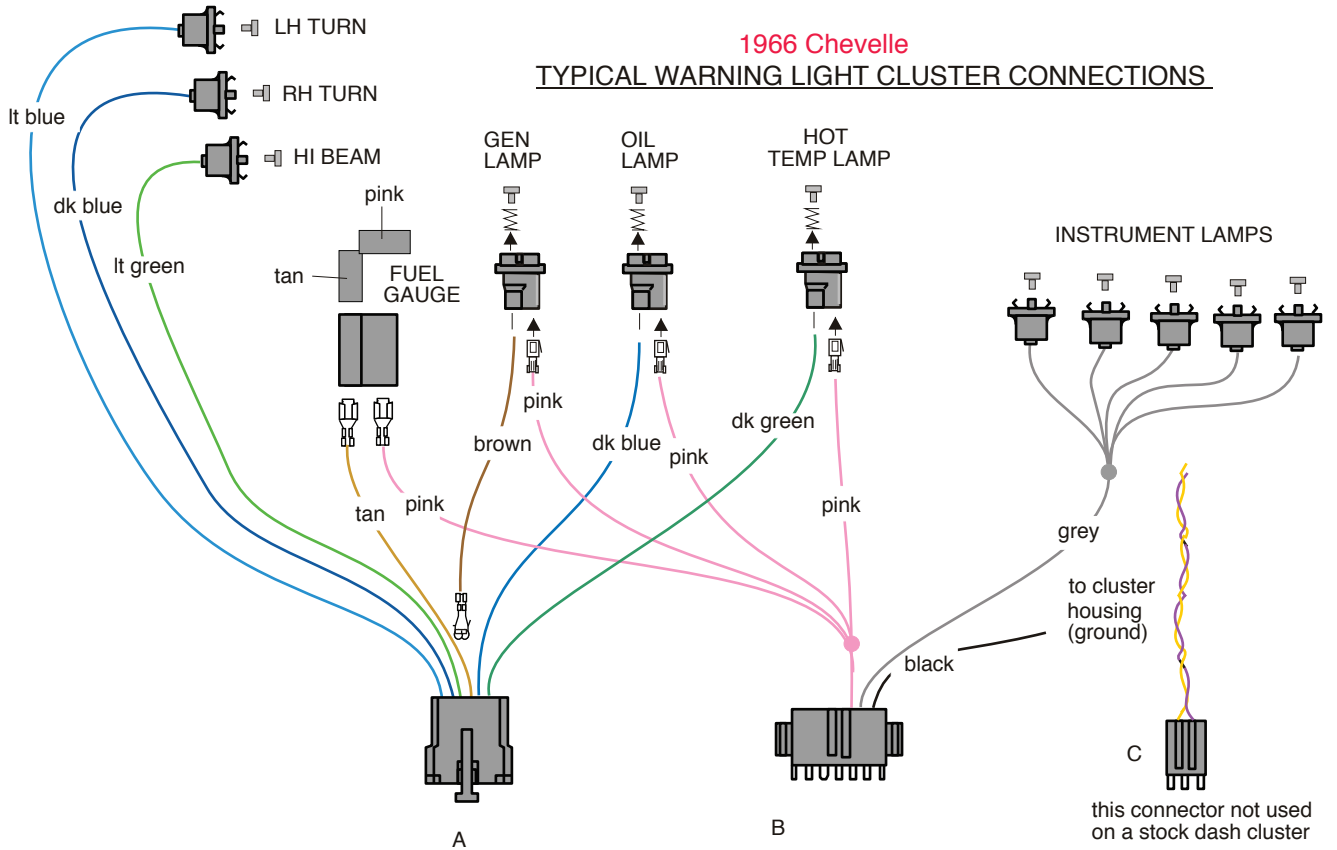
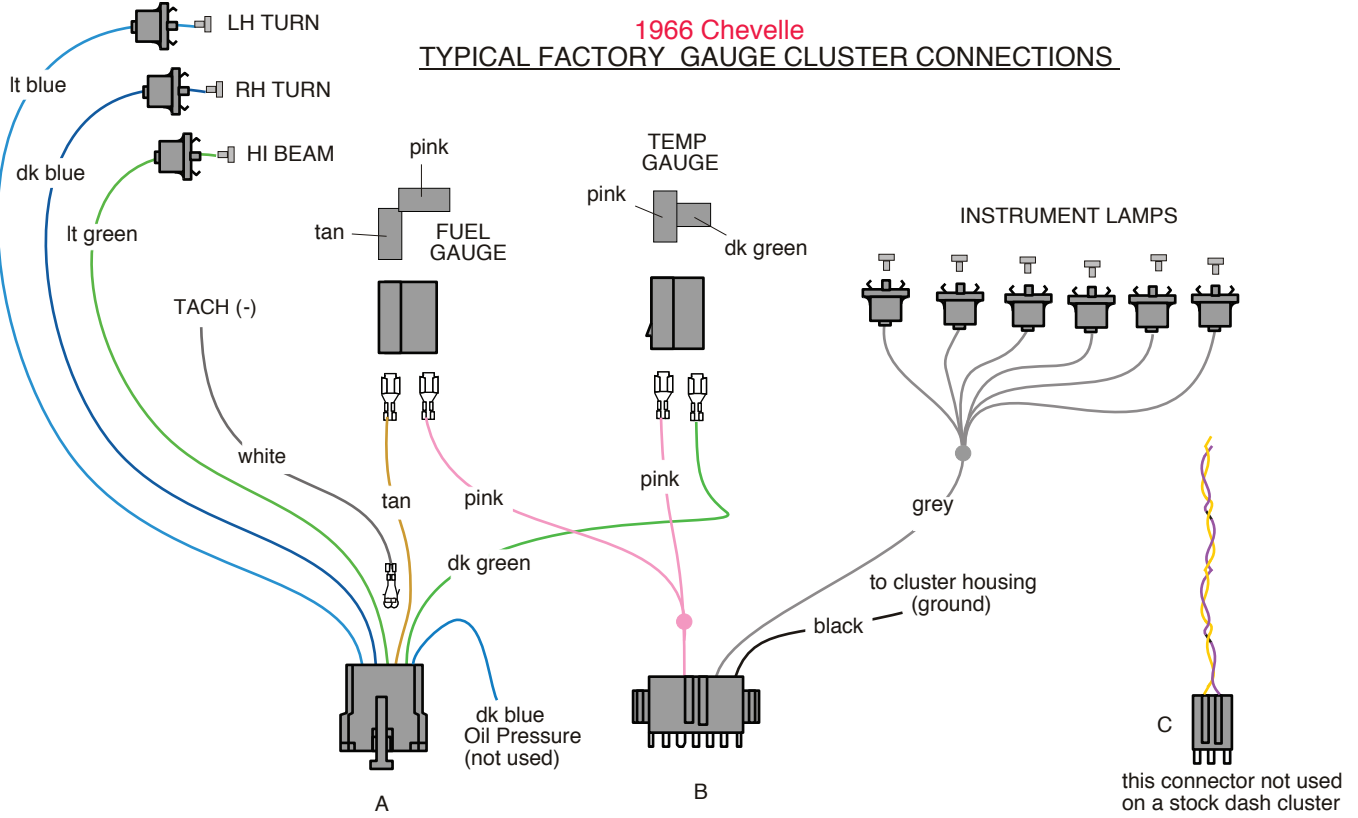
We Make Wiring Easy !!
800-482-9473

INSTRUMENT CLUSTER
1964-67 Chevelle
1962-67 Nova

500987

92968214 instr 11/25/2009 rev 10

Classic Update Series



**American
Autowire**

We Make Wiring Easy !!
800-482-9473

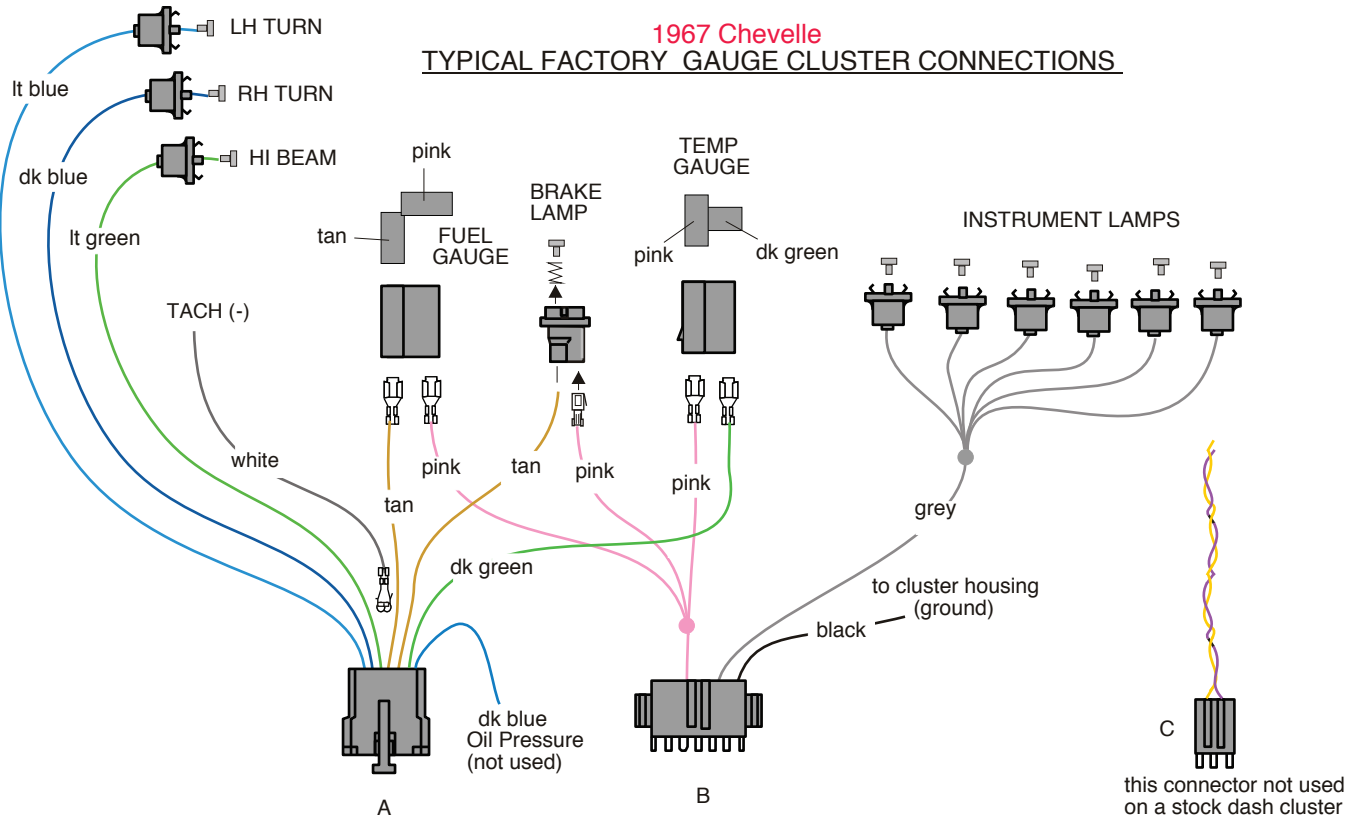
INSTRUMENT CLUSTER
1964-67 Chevelle
1962-67 Nova

500987

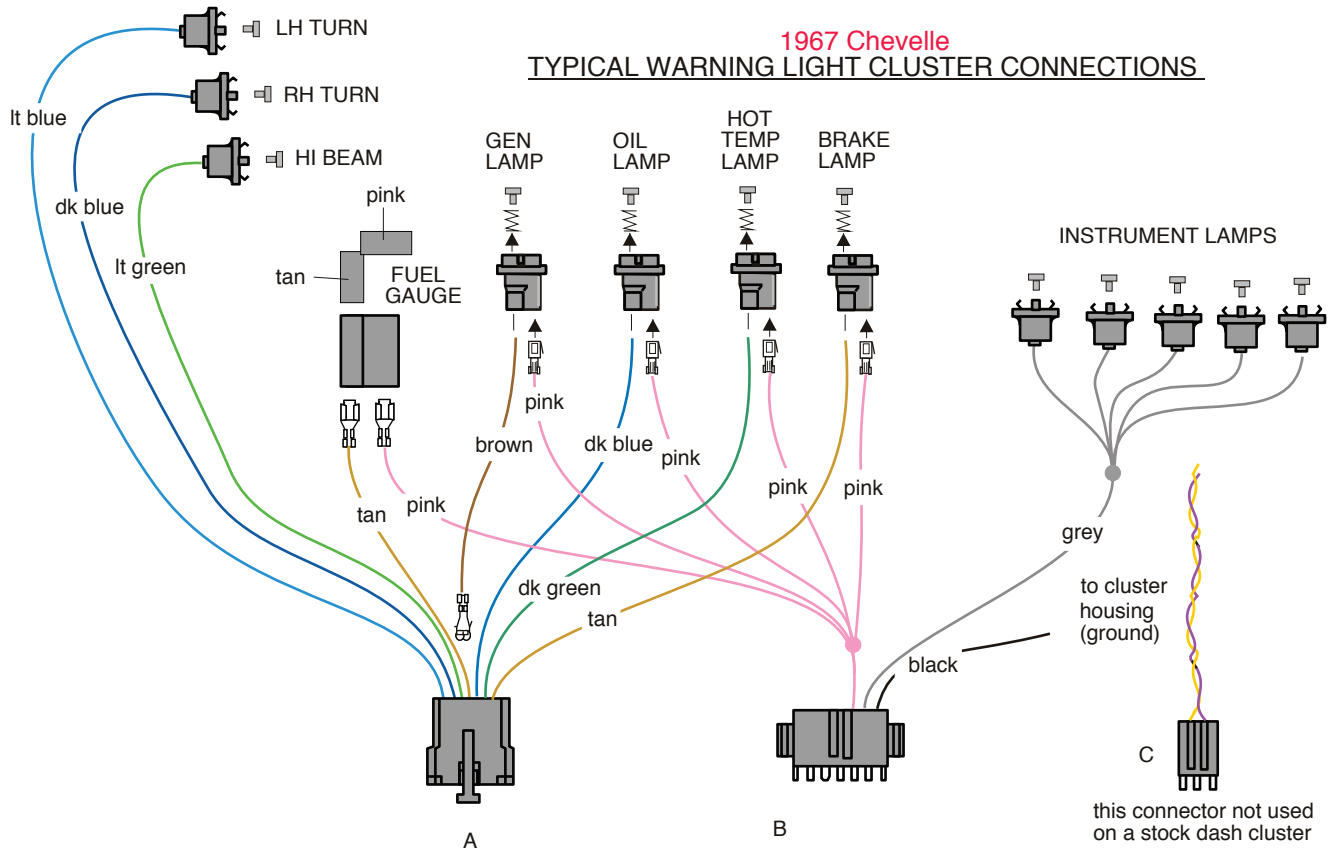
92968214 instr 11.25.2009 rev 1.0

Classic Update Series

1967 Chevelle TYPICAL FACTORY GAUGE CLUSTER CONNECTIONS



1967 Chevelle TYPICAL WARNING LIGHT CLUSTER CONNECTIONS



**American
Autowire**

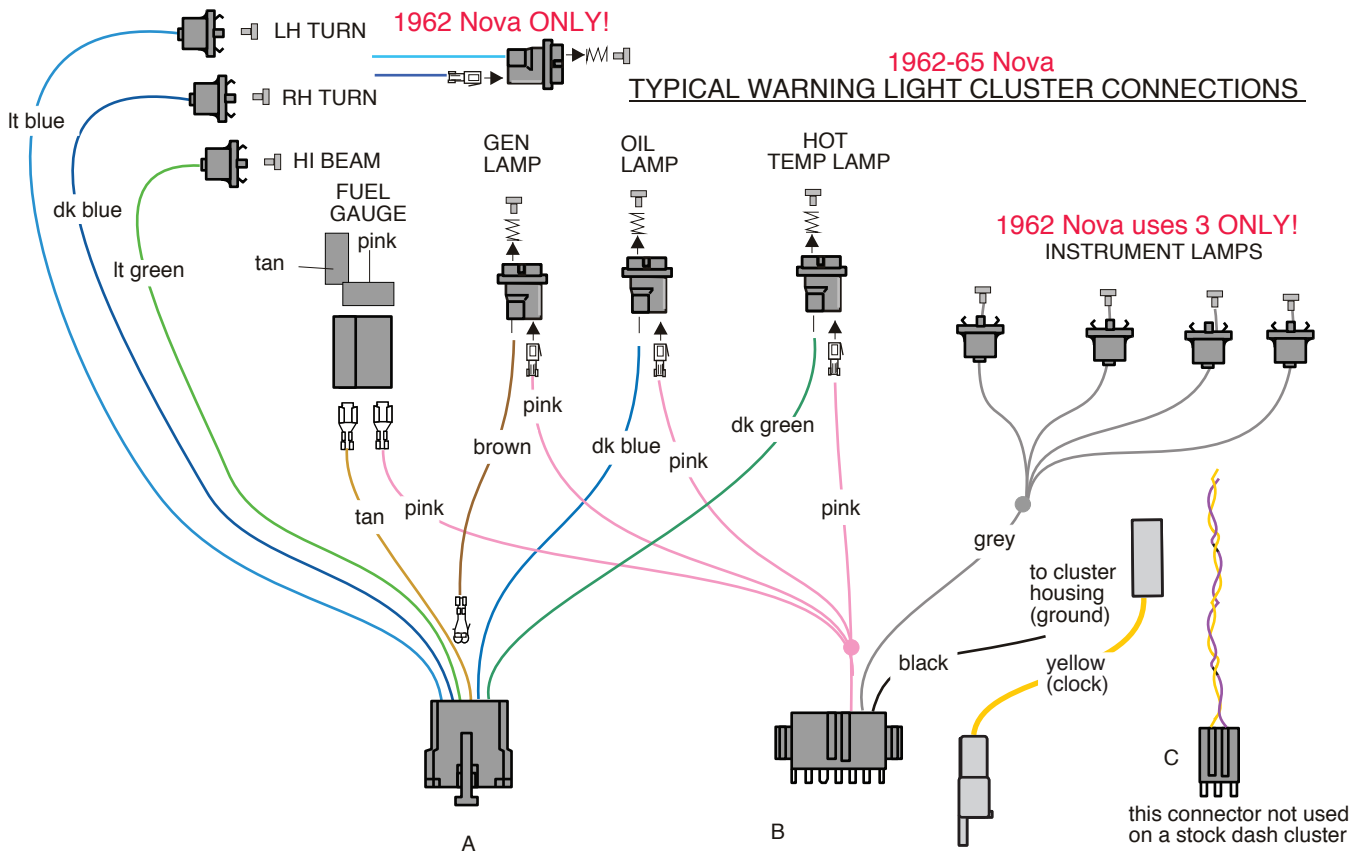
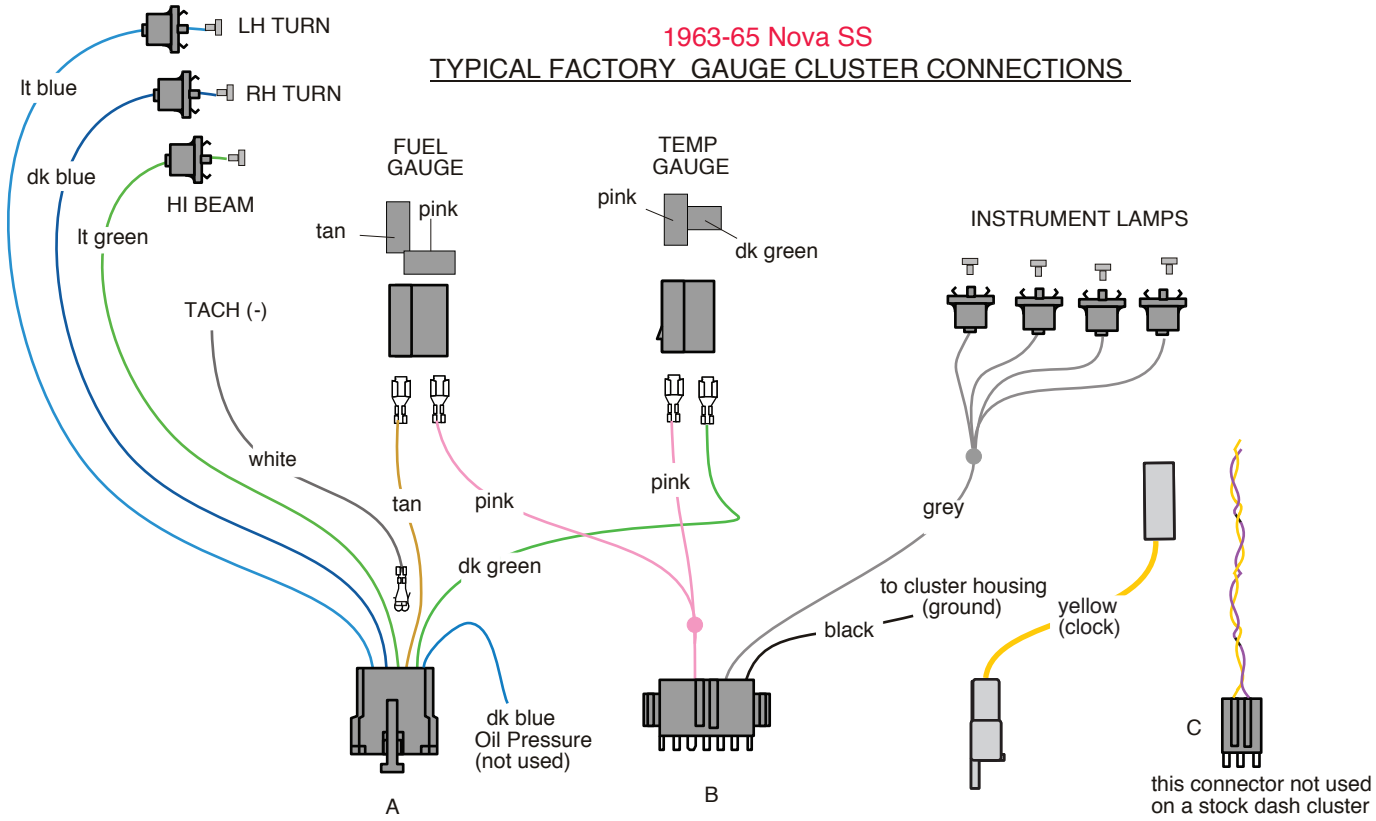
We Make Wiring Easy !!
800-482-9473

INSTRUMENT CLUSTER
1964-67 Chevelle
1962-67 Nova

500987

92968214 instr 11/25/2009 rev 1.0

Classic Update Series



**American
Autowire**

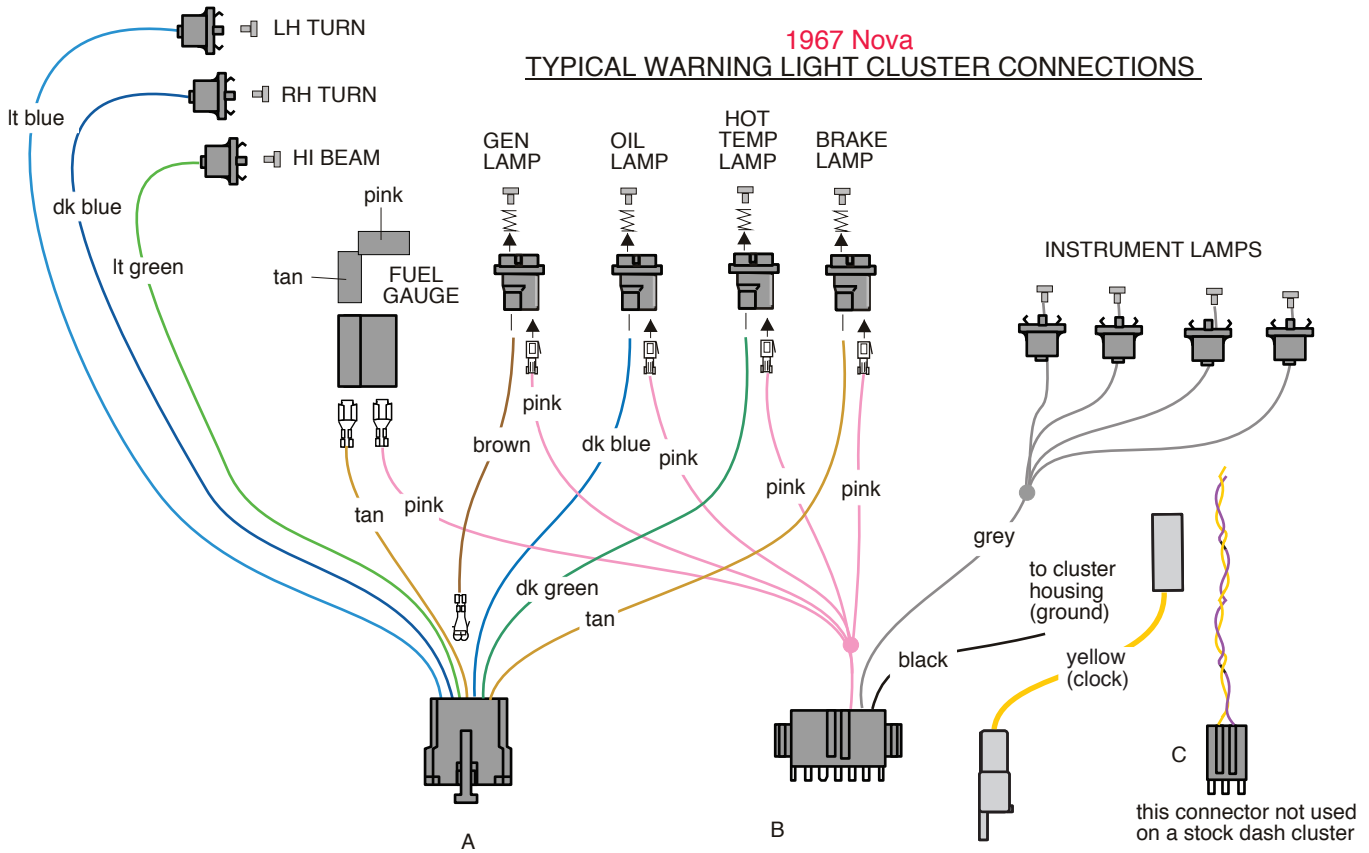
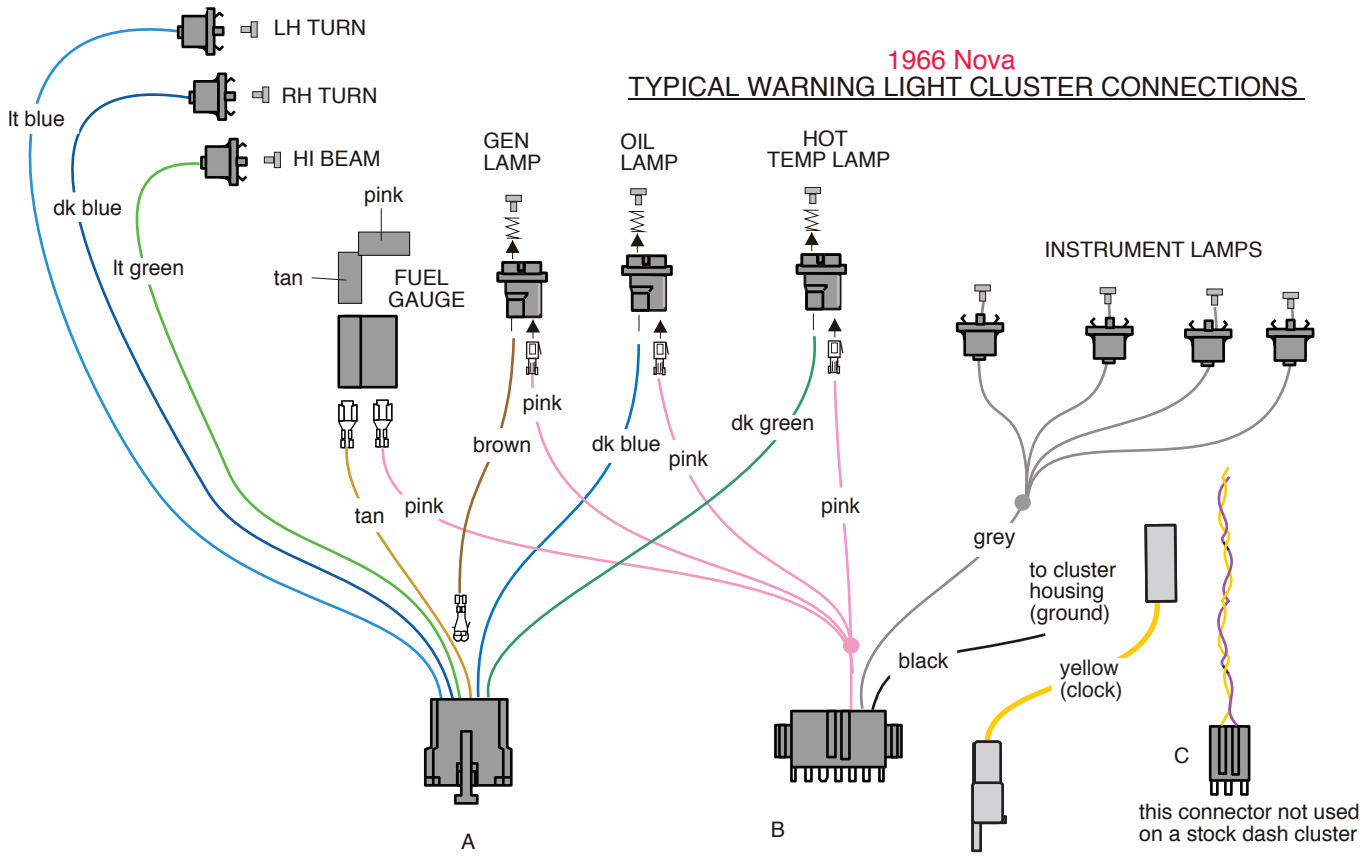
We Make Wiring Easy !!
800-482-9473

INSTRUMENT CLUSTER
1964-67 Chevelle
1962-67 Nova

500987

92968214 instr 11/25/2009 rev 10

Classic Update Series



We Make Wiring Easy !!
800-482-9473

INSTRUMENT CLUSTER
1964-67 Chevelle
1962-67 Nova

500987

92968214 instr 11/25/2009 rev 1.0