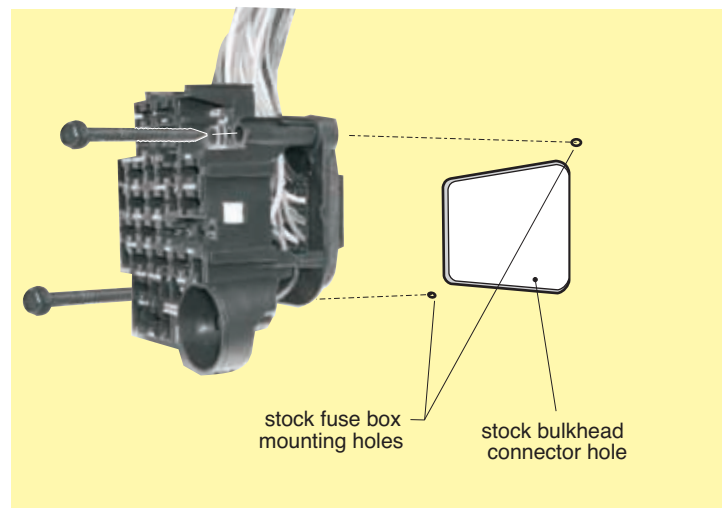


INSTALLING THE FUSE BOX



1. Locate the stock OEM bulkhead hole in the driver side of the firewall.
2. Mount the fuse box with the flasher can in the bottom right corner, as shown above.
3. Using the two mounting screws A, attached the fuse panel to the firewall.

Fuse Panel Installation Instructions

Following these simple instructions will guarantee a successful installation of your American Autowire fuse panel harness.

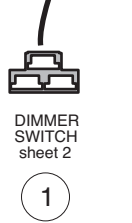
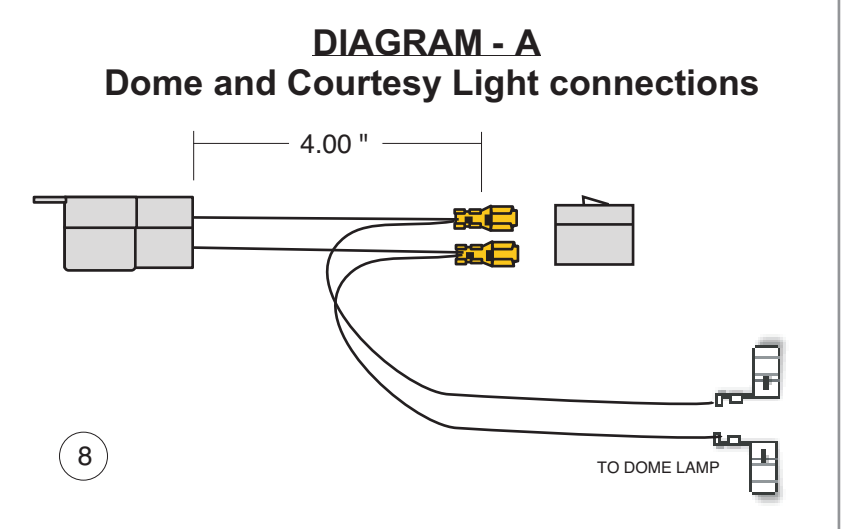
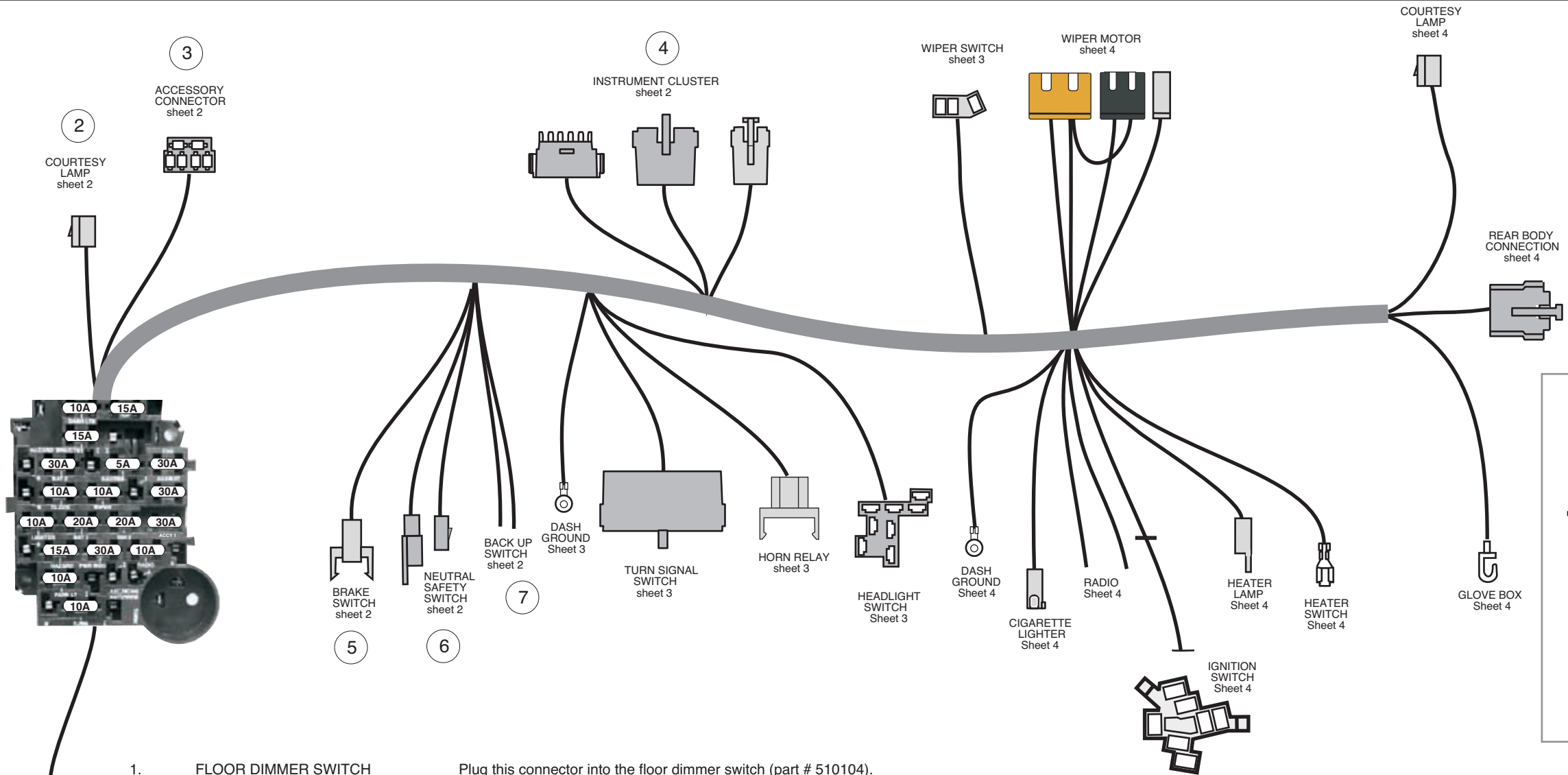
1. Study the diagram above to familiarize yourself with the dash harness.
2. Install the fuse box.
3. Route the dash harness using the factory support straps.
4. Make all connections as shown on the following pages of this dash harness kit.
5. Once this harness is installed, continue to bag 'H', and install the rest of the kit (bags H,J,K,L,M).



**American
Autowire**

American Autowire / Factory-Fit
800-482-9473



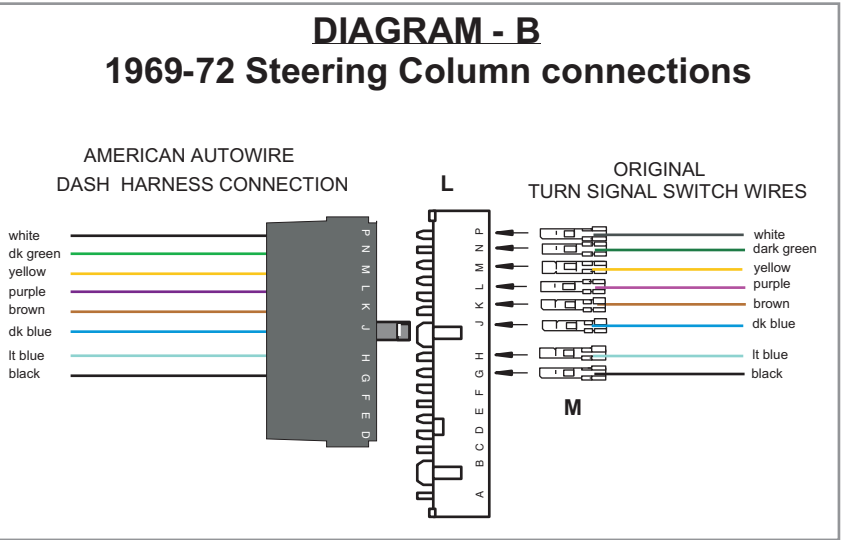
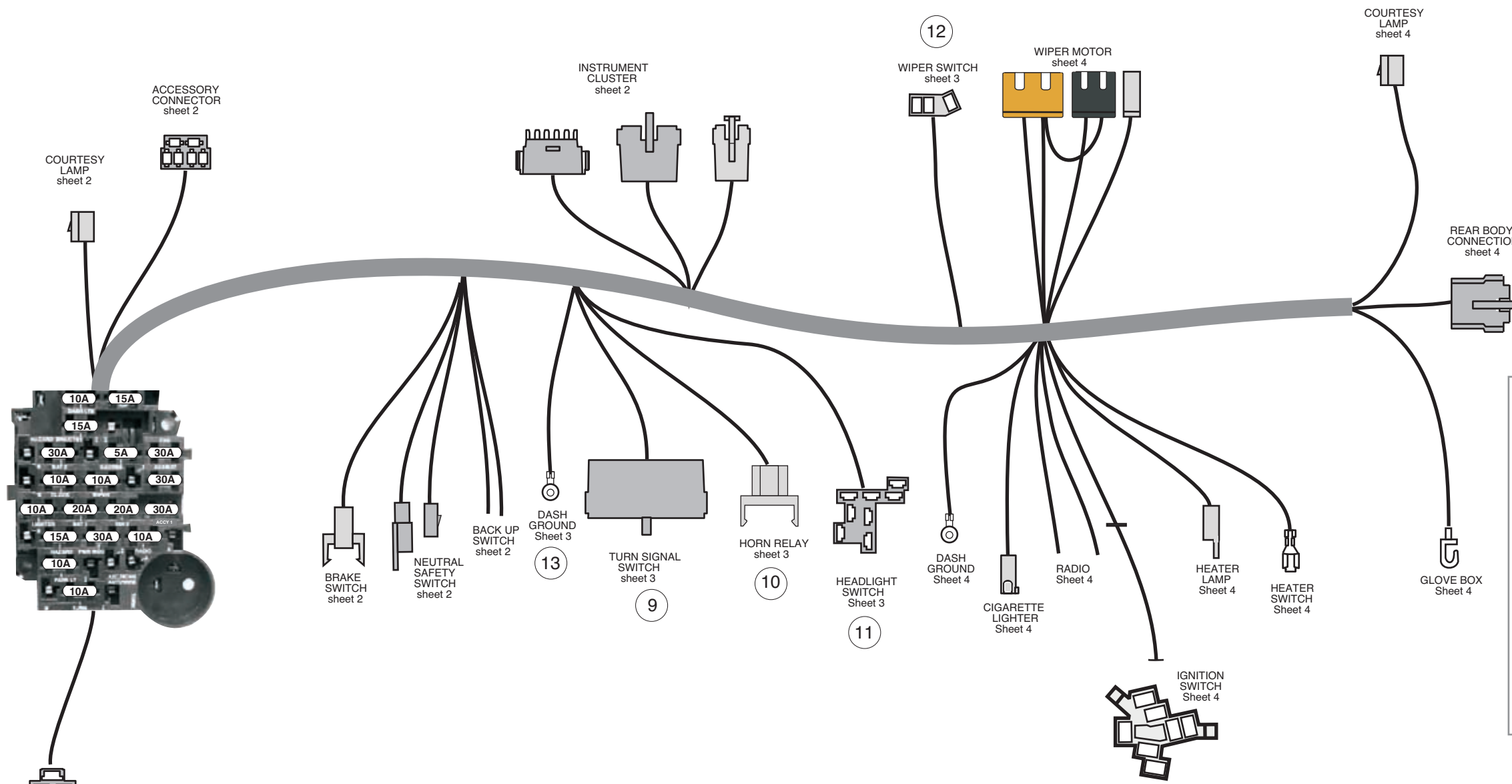


1. FLOOR DIMMER SWITCH
 Plug this connector into the floor dimmer switch (part # 510104).
 Yellow Dimmer feed
 Light Green Headlight High Beam Feed
 Tan Headlight High Low Feed
 'DIMMER FEED' location on headlight switch.
 'HEADLIGHT - HIGH BEAM' from dimmer switch through the bulkhead connector to the front headlight connector high beam location.
 'HEADLIGHT - LOW BEAM' from dimmer switch through the bulkhead connector to the front headlight connector low beam location.
2. LH COURTESY LAMP
 Plug this connector into the mating connector from the courtesy lamp kit bag N, 500708.
 Orange 12 volt battery feed for lamp
 White Ground circuit for lamp
3. ACCESSORIES
 Use the provided connector J attached and terminals as power leads for the following:

Fuse	Rating	Description
Dark Blue	FUEL 15 amp	Fused 12 volt IGNITION feed for fuel pump (may also be used to feed power to another ignition circuit)
Orange	BAT1 20 amp	Fused 12 volt BATTERY feed for power seats (may also be used to feed power to another battery circuit)
Red	BAT2 30 amp	Fused 12 volt BATTERY feed for power door locks (may also be used to feed power to another accessory circuit)
Pink	IGN1 20 amp	Fused 12 volt IGNITION feed for cruise control (may also be used to feed power to another ignition circuit)
Yellow	PWRWDO 30 amp	Fused 12 volt IGNITION feed for power windows (may also be used to feed power to another ignition circuit)
Tan	ACCY1 30 amp	Fused 12 volt ACCESSORY feed (may also be used to feed power to an accessory circuit)
4. INSTRUMENT CLUSTER DISCONNECTS
 These connectors will plug into the gauge disconnect harness from bag H. Wire identifications are described on the instruction sheets from bag H.
5. BRAKE SWITCH
 Plug this connector into the factory brake switch.
 Orange 12 volt feed 'in' to switch.
 White 12 volt feed 'out' to steering column switch.
 Lt Blue 12 volt feed 'out' to third brake light.
6. NEUTRAL SAFETY SWITCH
 Connect these wires to the neutral safety switch on the column, console shifter, or plug together if using a manual transmission.
 Purple 12 volt feed 'in' to neutral safety switch.
 Purple 12 volt feed 'out' to starter
7. BACK UP SWITCH
 Connect these wires to the back up switch on the column, console shifter, or transmission.
 Pink 12 volt ignition feed 'in' to back up lamp switch
 Lt Green 12 volt feed 'out' to back up lamps
8. DOME LAMP
 a. If no under dash courtesy lamps are desired, plug dome lamp harness in at location #2, and route the other end to the dome lamp assembly.
 b. If under dash courtesy lamps are desired, cut the enclosed dome lamp harness 4 from the main connector, double with the cutoff portions using the enclosed terminals, and plug into the provided connector. Install the completed dome lamp harness onto dash harness at location #2, then plug in the under dash courtesy lamp from bag N, 500708 to the pigtail on this dome lamp connection. (see Diagram "A" for this application)
 Orange 12 volt battery feed for lamp
 White Ground circuit for lamp

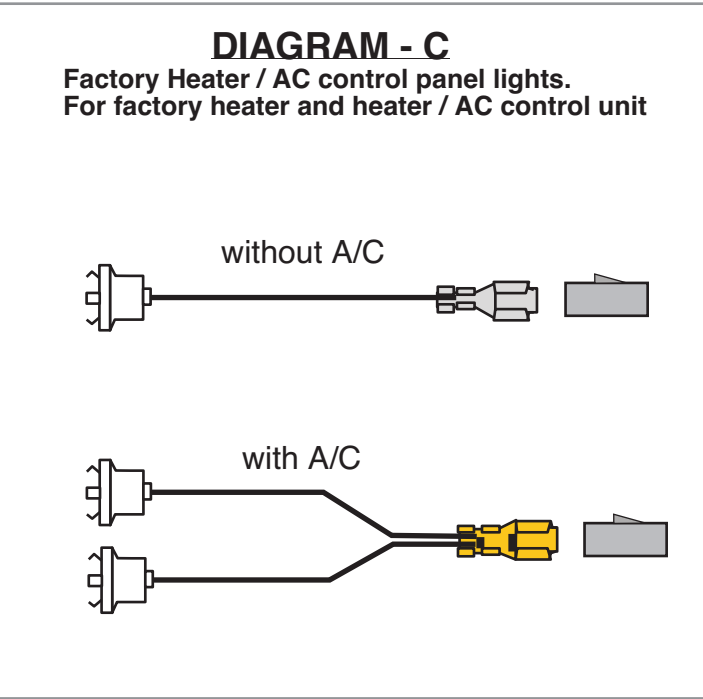
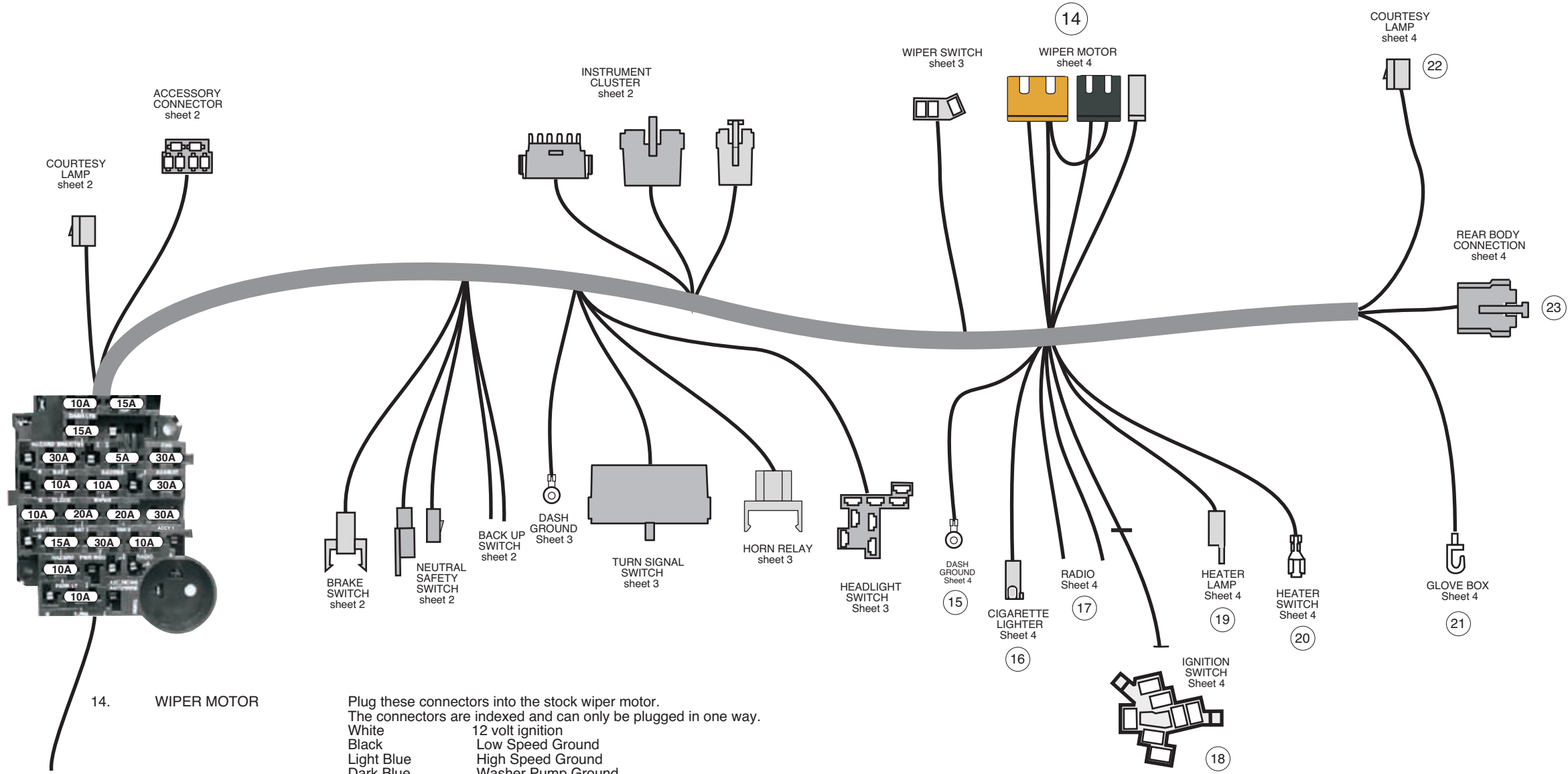
American Autowire / Factory-Fit
800-482-9473

1969-72 Chevy Truck bag G
DASH KIT
510091
 92969099 instruction rev 1.0 3/10/2009



9. TURN SIGNAL SWITCH This harness is set up for a 1969-74 GM or Steering column utilizing a 3 7/8 turn signal switch connector. If you are using your truck's original column, we have included the proper connector (L) and terminals (M) for you to cut off your existing connector and adapt it into our new dash harness. If using a 1975 or later GM steering column or an after-market steering column using a GM turn signal switch with the 4-1/4 GM turn signal connector, it will be necessary to replace the 4 1/4 turn signal switch connector with the included 3 7/8 connector L, matching wires by color. (see Diagram "B" for this application)
- | | | |
|------------|---------------------------------------|--|
| White | 12 volt feed from brake switch | |
| Dark Green | RH tail lamp | |
| Yellow | LH tail lamp | |
| Purple | 12 volt feed from turn flasher | |
| Brown | 12 volt feed from hazard flasher | |
| Dark Blue | RH front park lamp | |
| Light Blue | LH front park lamp | |
| Black | Horn relay ground wire to horn switch | |
10. HORN RELAY Plug the horn relay (found in the fuse bag) into this connector.
- | | | |
|-------|---|--|
| Red | 12 volt battery | |
| Black | Relay ground circuit (to steering column) | |
| Green | Triggered 12 volts to horn | |
11. HEADLIGHT SWITCH
- | | | |
|----------|------------------------------|---|
| Red | 12 volt feed to switch | 'BAT' location on headlight switch |
| Orange | 12 volt feed in to park/tail | PARK / TAIL FEED IN location on headlight switch. (commonly found on GM headlight switches) |
| Brown | Park lamp feed out | PARK LAMP OUT location on headlight switch. |
| Yellow | Dimmer feed | DIMMER FEED location on headlight switch. |
| Dk Green | Instrument lamp feed | INSTRUMENT LAMP location on headlight switch. |
| White | Dome / courtesy ground | GROUND location on headlight switch. |
12. WIPER SWITCH Plug this connector into the stock wiper switch.
- | | | |
|------------|--------------------|--|
| Black | Low speed ground | |
| Light Blue | High speed ground | |
| Dark Blue | Washer pump ground | |
13. GROUND Black Connect to a good chassis ground





- 14. WIPER MOTOR
Plug these connectors into the stock wiper motor. The connectors are indexed and can only be plugged in one way.
White 12 volt ignition
Black Low Speed Ground
Light Blue High Speed Ground
Dark Blue Washer Pump Ground
- 15. GROUND
Black Connect to a good chassis ground.
- 16. CIGARETTE LIGHTER
Orange Connect to lighter. (battery feed)
- 17. RADIO
Tan Radio accessory feed. (On-Off switch)
Yellow Radio 12 volt clock lead (battery feed)
- 18. IGNITION SWITCH
Red 12 volt battery feed
Pink 12 volt ignition feed
Brown 12 volt accessory feed
Purple 12 volt starter feed
- 19. HEATER LAMP
AAW has provided 2 dash lamp pigtail wires for final connection to you heater or A/C control unit. If your truck has a heater only, use the single wire terminal (silver), install onto 1 pigtail, plug into the provided connector, and install onto the dash harness at location #18. If your truck has factory air, use the double wire terminal (brass), double onto both pigtail wires, plug into the provided connector, and install onto the dash harness at location #18.
Gray Heater lamp (see Diagram "C" for your application)
- 20. HEATER SWITCH
AAW has provided the heater or A/C feed wire only for this application to be used in conjunction with your OE factory heater or A/C harness. If you desire a new heater or A/C harness for your truck, contact AAW for the exact application for your truck. (The orange A/C high speed blower power feed from your OE A/C harness can be plugged into the accessory plug #3 shown on sheet 2 by removing the black connector from the wire and installing the bare terminal into the mating cavity of the RED wire at that accessory plug).
Brown 12 volt accessory feed to heater / ac switch. (if using aftermarket a/c, use this brown wire as the keyed accessory feed wire to a/c harness.)
- 21. GLOVE BOX LIGHT
Orange Connect to the original factory glove box lamp switch. If not using, just insulate the bare terminal and tape back.
- 22. RH COURTESY LAMP
Plug this connector into the mating connector from the courtesy lamp kit bag N, 500708.
Orange 12 volt battery feed for lamp
White Ground circuit for lamp
- 23. REAR BODY
This connector will mate to the connector from the Rear Body harness found in bag M.
Tan Fuel tank sender lead
Brown Tail lamp feed
Yellow LH turn / brake feed
Dark Green RH turn / brake feed
Light Green Back up lamp feed
Light Blue Third brake light

