

Classic Update Series

REFER TO SHEET 2 FOR CONNECTING TO A STOCK INSTRUMENT CLUSTER. IF USING A FACTORY DASH WITH A PRINTED CIRCUIT BOARD, BE SURE TO INSTALL THE WIRES AS SHOWN FOR **WITH WARNING LAMPS OR WITH GAUGES**.

CONNECTOR F- Plug this connector into the mating connector on the dash harness (bag G) and connect wires as follows:

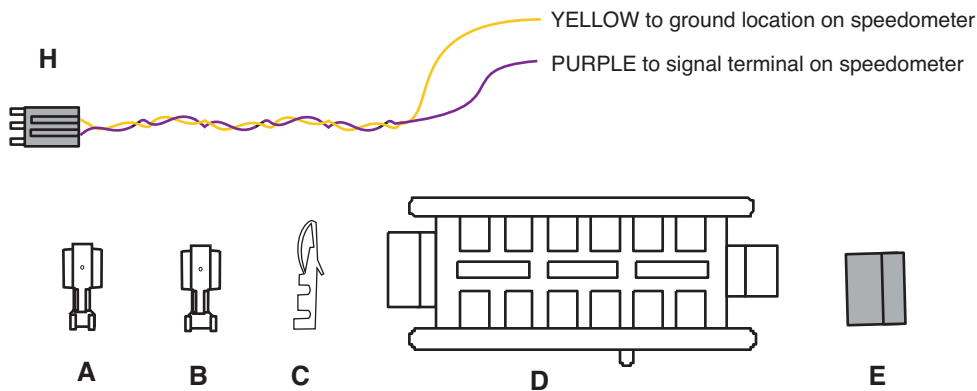
DK BLUE	Right Turn Lamp	Route this wire to the circuit board and cut to length, install terminal C, and plug into connector D in the location shown on sheet 2.
LT BLUE	Left Turn Lamp	Route this wire to the circuit board and cut to length, install terminal C, and plug into connector D in the location shown on sheet 2.
LT GREEN	Hi Beam Indicator Lamp	Route this wire to the circuit board and cut to length, install terminal C, and plug into connector D in the location shown on sheet 2.
DK GREEN	Temperature Sender	Route this wire to the circuit board and cut to length, install terminal C, and plug into connector D in the location shown on sheet 2.
DK BLUE	Oil Pressure Sender	Route this wire to the circuit board and cut to length, install terminal C, and plug into connector D in the location shown on sheet 2. (Used with a stock warning lamp cluster only!)
TAN	Fuel Sender	Route this wire to the circuit board and cut to length, install terminal C, and plug into connector D in the location shown on sheet 2.
TAN (no printing)	Brake Lamp	Route this wire to the circuit board and cut to length, install terminal C, and plug into connector D in the location shown on sheet 2.

CONNECTOR G

PINK	12v Ignition	Route this wire to the circuit board, cut to length, install terminal C, and plug into connector D in the location shown on sheet 2. (This application used with a stock cluster and NO TACH only!) If using a factory tach, route to tach, cut to length, double with cutoff portion, install terminal B, and plug into connector E as shown on sheet 2. Route the other end to the circuit board, cut to length, install terminal C, and plug into connector D as shown on sheet 2.
GREY	Instrument Lamps	Route this wire to the circuit board and cut to length, install terminal C, and plug into connector D in the location shown on sheet 2.
BLACK	Ground	Route this wire to the circuit board and cut to length, install terminal C, and plug into connector D in the location shown on sheet 2.

LOOSE WIRES

WHITE	Tachometer	Used ONLY with a tachometer. Plug this wire into connector F, maintaining color continuity with the white "TACH" wire on the mating dash connector. Route this wire to the tach, cut to length, install terminal A, and plug into connector E in the location shown on sheet 2.
BROWN	Alternator	Route this wire to the circuit board and cut to length, install terminal C, and plug into connector D in the location shown on sheet 2. (Used with a stock warning lamp cluster only!)
BROWN	Park Lamp	Used ONLY with Dakota Digital dash panels. Plug this wire into connector G, maintaining color continuity with the brown "PARK LAMP" wire on the mating dash connector. Connect the other end to the gauge manufacturer's panel - DIM location. This will dim the panel lights when headlights are turned on.
PURPLE	VSS Signal lead	Used ONLY with an electronic speedometer. This wire is contained in connector H and will plug into the dash harness connection in bag G. Connect the other end to the speedometer 'sender' terminal following the manufacturer's instructions.
YELLOW	VSS Signal ground	Used ONLY with an electronic speedometer. This wire is contained in connector H and will plug into the dash harness connection in bag G. Connect the other end to a good chassis ground, following the manufacturer's instructions.



**American
Autowire**

Classic Update Series

1969-72 Chevy
and GMC Truck

INSTRUMENT
CLUSTER

510094

92969111 instruction rev 0.0 2/18/2009

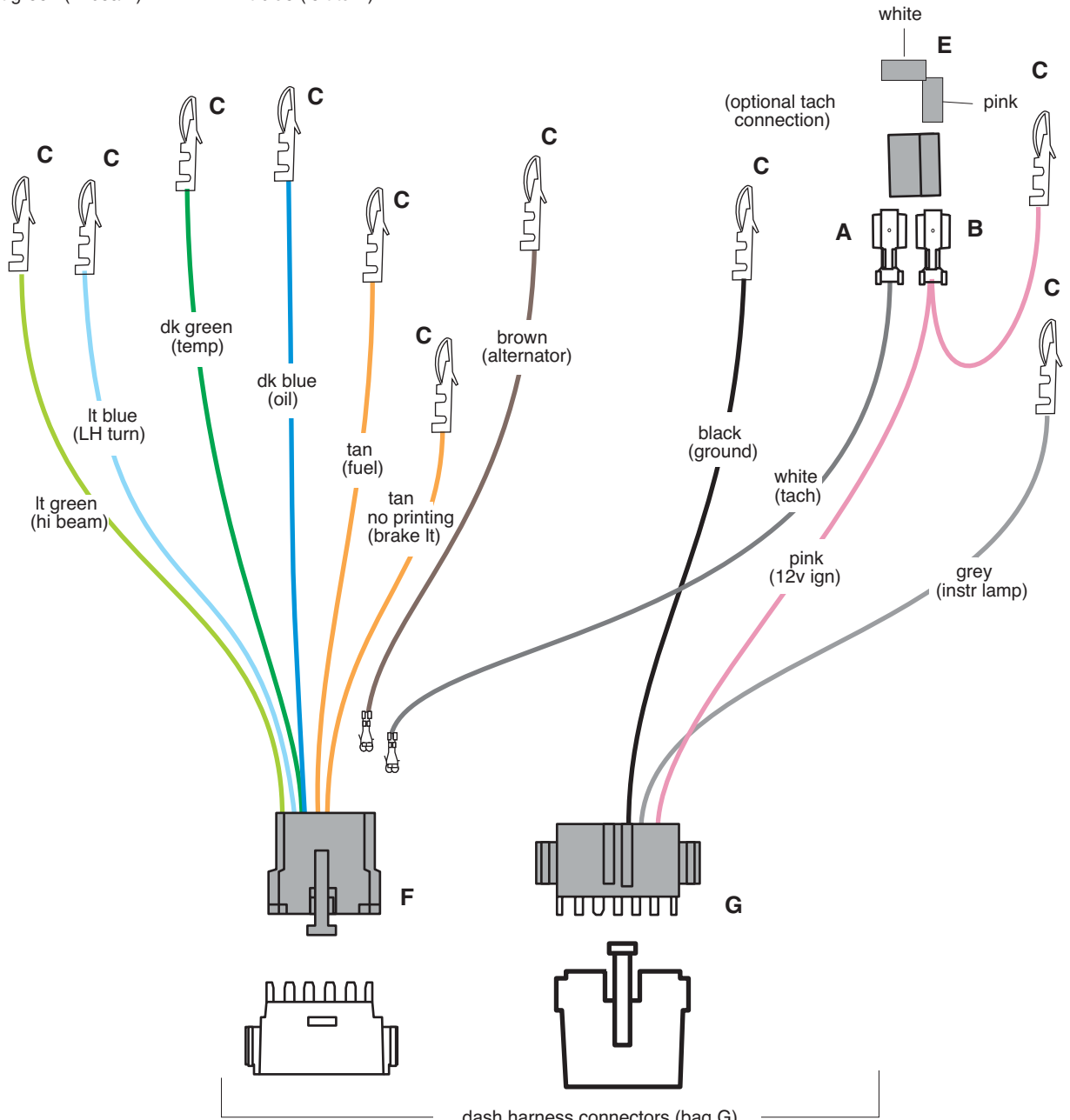
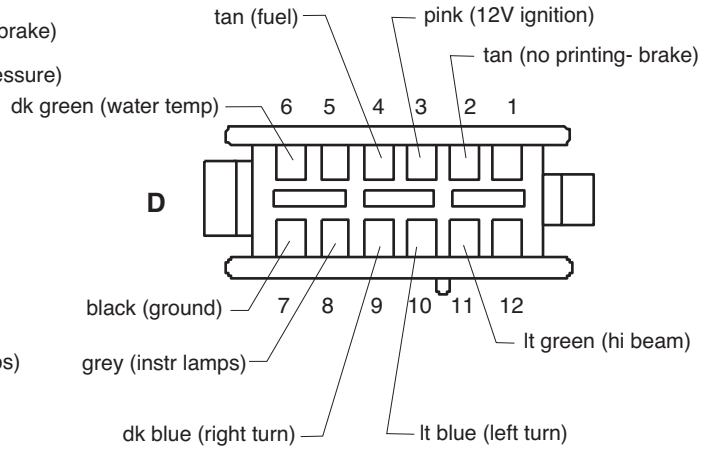
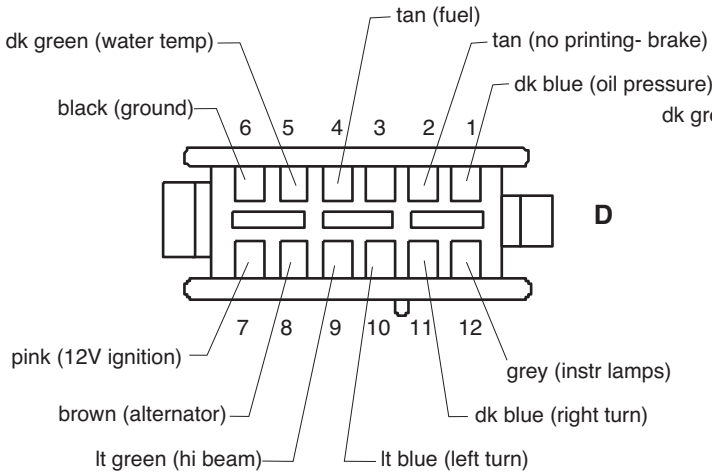
bag
H

Classic Update Series

USE THIS SHEET TO CONNECT TO ANY ORIGINAL 1969-72 TRUCK FACTORY INSTRUMENT CLUSTER WITH A CIRCUIT BOARD CONNECTION

CIRCUIT BOARD CONNECTOR WITH WARNING LIGHTS

CIRCUIT BOARD CONNECTOR WITH GAUGES



dash harness connectors (bag G)