

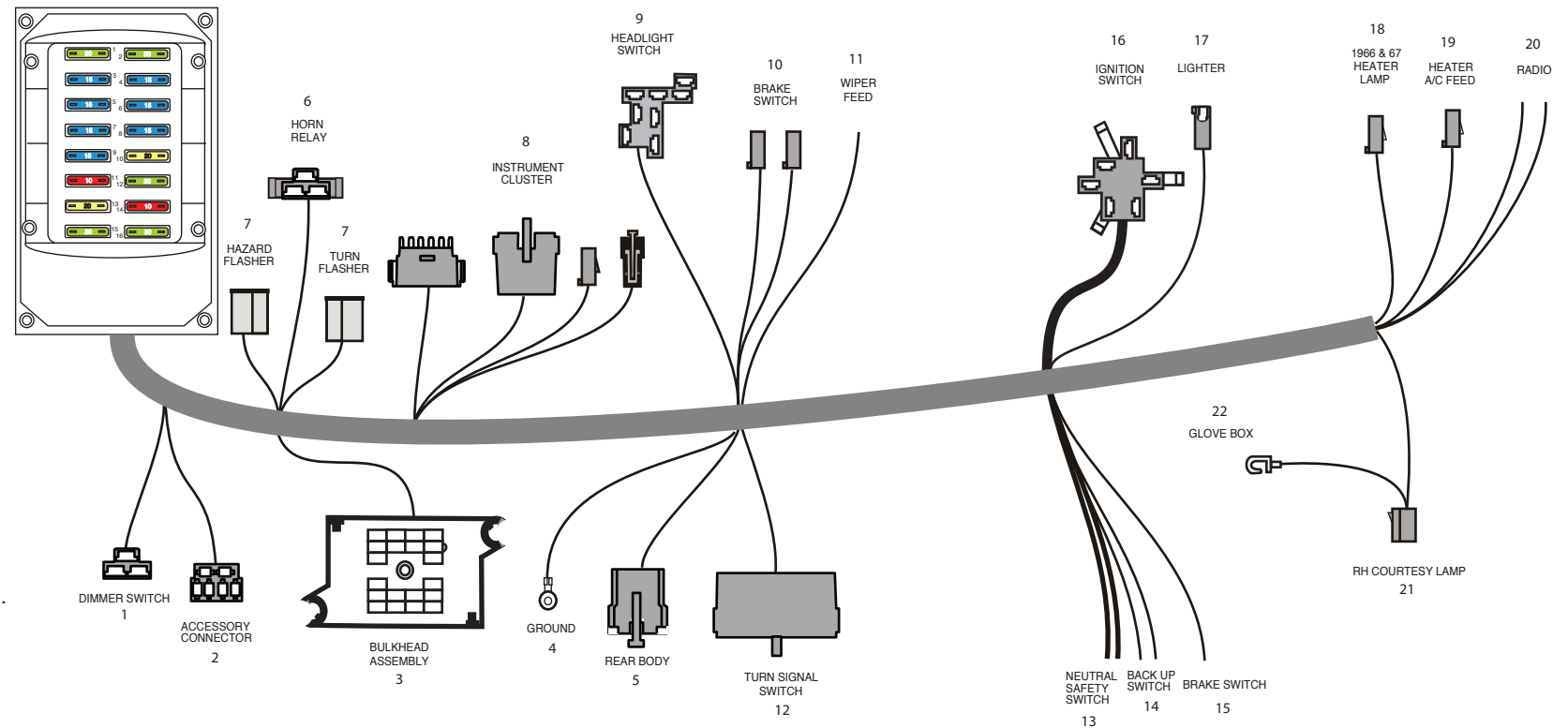
Fuse Panel Installation Instructions

Following these simple instructions will guarantee a successful installation of your American Autowire fuse panel harness.

1. Study the diagram above to familiarize yourself with the dash harness.
2. Install the fuse box.
3. Install the bulkhead into the hole in the firewall. **NOTE:** You will need to modify the opening in your firewall slightly by making it larger first. See firewall template 92969299 to help with this procedure.
4. Route the dash harness using the factory support straps.
5. Make all connections as shown on the following pages of this dash harness kit.
6. Once this harness is installed, continue to bag 'H', and install the rest of the kit (bags H,J,K,L,M).

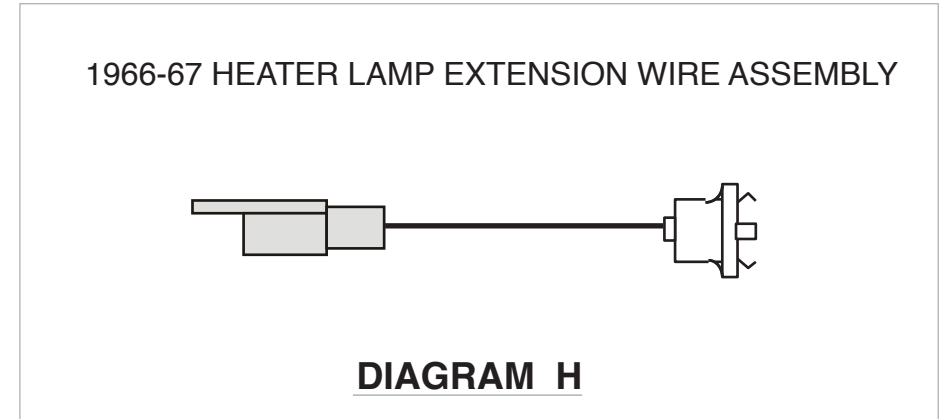


INSTALLING THE FUSE BOX AND BULKHEAD ASSYEMBLY

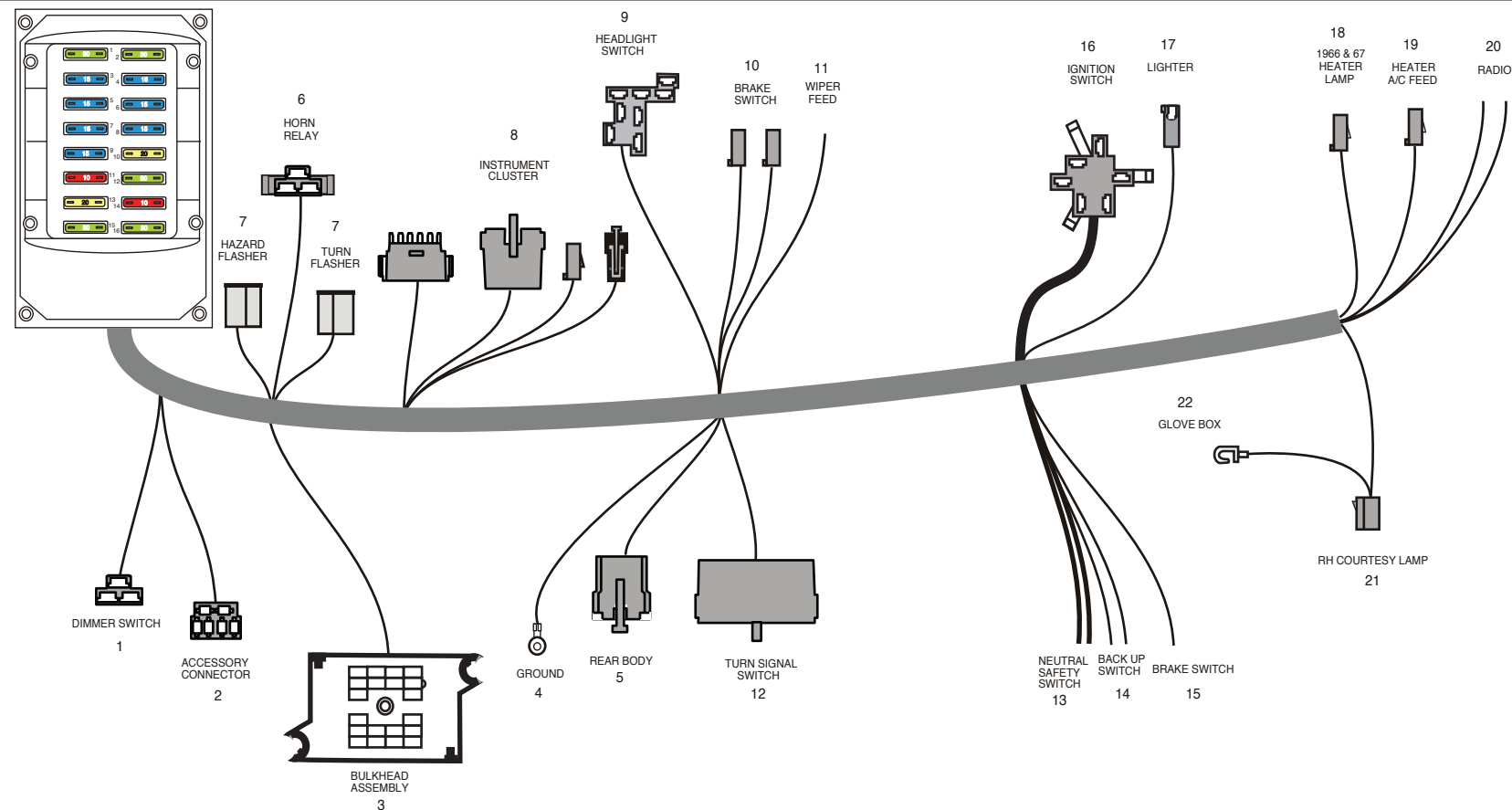


1. Locate the stock OEM bulkhead hole in the driver side of the firewall and modify it per the 92969299 template.
2. Mount the fuse box and bulkhead assemblies as shown above using the provided screws and washers that are included in the loose piece parts kit contained in the dash bag G, 510142.

1	DIMMER SWITCH	Light Green Light Green Tan Yellow	Thin wire is feed to high beam indicator light in instrument cluster Heavy wire is headlight high beam feed wire. Headlight low beam feed wire. Headlight power feed wire from headlight switch.																					
2	ACCESSORIES	Use the provided connector J and terminals as power leads for the following:																						
			<table border="1"> <thead> <tr> <th>Fuse</th> <th>Rating</th> <th>Description</th> </tr> </thead> <tbody> <tr> <td>Tan</td> <td>FUEL 20 amp</td> <td>Fused 12 volt IGNITION feed for fuel pump (may also be used to feed power to another ignition circuit)</td> </tr> <tr> <td>Orange</td> <td>PWRSEATS 30 amp</td> <td>Fused 12 volt BATTERY feed for power seats (may also be used to feed power to another battery circuit)</td> </tr> <tr> <td>Red</td> <td>PWR LOCKS 15 amp</td> <td>Fused 12 volt BATTERY feed for power door locks (may also be used to feed power to another battery circuit)</td> </tr> <tr> <td>Red</td> <td>CB 15 amp</td> <td>Fused 12 volt BATTERY feed for cruise control (may also be used to feed power to another battery circuit)</td> </tr> <tr> <td>Pink</td> <td>PWRWDO 30 amp</td> <td>Fused 12 volt ACCESSORY feed for power windows (may also be used to feed power to another accessory circuit)</td> </tr> <tr> <td>Orange</td> <td>BAT SPARE 30 amp</td> <td>Fused 12 volt BATTERY feed (may also be used to feed power to an battery circuit)</td> </tr> </tbody> </table>	Fuse	Rating	Description	Tan	FUEL 20 amp	Fused 12 volt IGNITION feed for fuel pump (may also be used to feed power to another ignition circuit)	Orange	PWRSEATS 30 amp	Fused 12 volt BATTERY feed for power seats (may also be used to feed power to another battery circuit)	Red	PWR LOCKS 15 amp	Fused 12 volt BATTERY feed for power door locks (may also be used to feed power to another battery circuit)	Red	CB 15 amp	Fused 12 volt BATTERY feed for cruise control (may also be used to feed power to another battery circuit)	Pink	PWRWDO 30 amp	Fused 12 volt ACCESSORY feed for power windows (may also be used to feed power to another accessory circuit)	Orange	BAT SPARE 30 amp	Fused 12 volt BATTERY feed (may also be used to feed power to an battery circuit)
Fuse	Rating	Description																						
Tan	FUEL 20 amp	Fused 12 volt IGNITION feed for fuel pump (may also be used to feed power to another ignition circuit)																						
Orange	PWRSEATS 30 amp	Fused 12 volt BATTERY feed for power seats (may also be used to feed power to another battery circuit)																						
Red	PWR LOCKS 15 amp	Fused 12 volt BATTERY feed for power door locks (may also be used to feed power to another battery circuit)																						
Red	CB 15 amp	Fused 12 volt BATTERY feed for cruise control (may also be used to feed power to another battery circuit)																						
Pink	PWRWDO 30 amp	Fused 12 volt ACCESSORY feed for power windows (may also be used to feed power to another accessory circuit)																						
Orange	BAT SPARE 30 amp	Fused 12 volt BATTERY feed (may also be used to feed power to an battery circuit)																						
3	BULKHEAD ASSEMBLY		This installs in the stock firewall location. Use template 510151 to modify the stock hole. Screws / washers are provided for installation.																					
4	GROUND	Black	Connect to a good chassis ground.																					
5	REAR BODY		This connector will mate to the connector from the Rear Body harness found in bag L.																					
		Tan Brown Yellow Dark Green Orange White Light Green Light Blue	Fuel tank sender lead Tail and tag lamp feed LH turn / brake feed RH turn / brake feed Dome / courtesy lamp feed Dome / courtesy lamp ground Back up lamp feed Third brake light																					
6	HORN RELAY	Red Black Green	Plug the horn relay (found in the fuse kit) into this connector. 12 volt battery Relay ground circuit (to steering column) Triggered 12 volts to horn																					
7	FLASHERS	Purple Brown	Turn signal flasher leads. Plug one of the flasher cans (found in fuse kit) into this connector. Hazard flasher leads. Plug one of the flasher cans (found in fuse kit) into this connector.																					
8	INSTRUMENT CLUSTER DISCONNECTS		These connectors will plug into the gauge disconnect harness 500987, bag H. Wire identifications are described on the Instruction sheets in bag H.																					
9	HEADLIGHT SWITCH		This connector will plug onto your new lighting switch, 500332.																					
		Red Orange Brown Park Yellow Gray White	12 volt feed to switch BAT location on headlight switch 12 volt lead in to Park/tail PARK / TAIL feed in location on headlight switch. (commonly found on GM headlight switches). lamp feed out PARK LAMP OUT location on headlight switch. Dimmer feed DIMMER FEED location on headlight switch. Instrument lamp feed INSTRUMENT LAMP location on headlight switch. Dome / courtesy ground COURTESY GROUND location on headlight switch.																					
10	BRAKE SWITCH	Orange White Lt Blue	Plug these connectors onto the factory stop lamp switch. 12 volt feed 'in' to switch. 12 volt brake feed 'out' to steering column turn signal switch. 12 volt brake feed 'out' to third brake light.																					
11	WIPER FEED	White	Route this wire out to your wiper motor, cut to length, install the provided terminal, and plug into the wiper motor power connector as shown on sheet 4.																					



1962-67 Nova
DASH KIT
510142
92969268 instruction rev 2.0 5/6/2014



12	TURN SIGNAL SWITCH	<p>This harness has a connector on it for the 3 7/8 inch, 1969-74 GM steering column connection used by GM and many after-market manufacturers. If using a late model GM steering column, an aftermarket column using the 4 1/4 inch GM turn signal connector, or stock 1962-67 steering column, replace the existing connector on that column with connector "L" and terminals "M" being sure to match wires by color. (See diagram G on this sheet).</p> <p>12 volt feed from brake switch RH tail lamp LH tail lamp 12 volt feed from turn flasher 12 volt feed from hazard flasher RH front park lamp LH front park lamp Horn relay ground wire to horn switch (for 62 applications only, attach the tan or green horn wire from your column into connector L as shown in diagram G) Connect these wires to the neutral safety switch on the column or console shifter</p>
		<p>White Dark Green Yellow Purple Brown Dark Blue Light Blue Black</p>
13	NEUTRAL SAFETY SWITCH	<p>Connect these wires to the neutral safety switch on the column or console shifter</p> <p>12 volt feed 'in' to neutral safety switch from ignition switch 12 volt feed 'out' to starter solenoid</p>
		<p>Purple Purple</p>
14	BACK UP SWITCH	<p>Connect these wires to the back up switch on the column or console shifter</p> <p>12 volt ignition feed 'in' to back up lamp switch 12 volt feed 'out' to back up lamps</p>
		<p>Pink Lt Green</p>
15	EMERGENCY BRAKE	<p>Connect to your emergency brake warning switch if your car is so equipped</p>
16	IGNITION SWITCH	<p>Note: Connector is already plugged. Install connector onto new ignition switch 500674</p> <p>12 volt battery feed 12 volt ignition feed 12 volt accessory feed Starter lead wire to Neutral Safety Switch Connect to lighter.</p>
		<p>Red Pink Brown Purple Orange</p>
17	LIGHTER	Connect to lighter.
18	HEATER LAMP	Heater lamp feed (Used on 1966 and 67 cars only. Install enclosed jumper plug and lamp assembly onto this lead as needed. See diagram "H" on page 2)
19	HEATER / AC FEED	12 volt accessory feed to heater / ac switch (if using aftermarket a/c, use this wire as the accessory feed wire to a/c harness). For stock 1962-5 applications, plug onto heater switch. For stock 1966-67 applications, plug into heater harness jumper plug as shown on sheet 4. New factory stock A/C harnesses are available. Please contact our Sales Department for the correct P/N and application for your car if needed.
		<p>Gray Brown</p>
20	RADIO	Radio accessory feed. (Power wire for stock radio).
		<p>Tan Yellow</p>
21	RH COURTESY LAMP	Radio constant 12 volt clock or memory lead (battery feed) Plug this connector into the mating connector from the courtesy lamp kit bag N, 500708.
		<p>Orange</p>
22	GLOVE BOX LIGHT	12 volt battery feed to lamp Ground circuit for lamp Connect to the original factory glove box lamp switch. If not using, just tape back and insulate the "fish hook" terminal as it is battery hot at all time.
		<p>White Orange</p>

THIS KIT PROVIDES FOR STOCK WIPER SWITCH / MOTOR AND HEATER SWITCH / RESISTOR CONNECTIONS. THESE CAN BE FOUND ON PAGE 4 OF THIS INSTRUCTION SHEET.
Stock pigtail wire assemblies and connections are included as loose items in this dash harness bag "G". Loose piece connectors that are needed for final connections will be found in the loose piece parts bag. Refer to sheet 4 for correct configuration and final assembly.

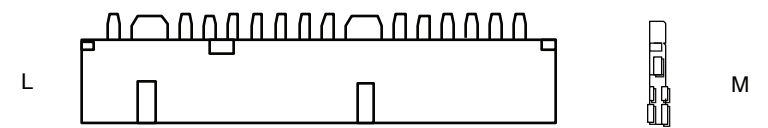
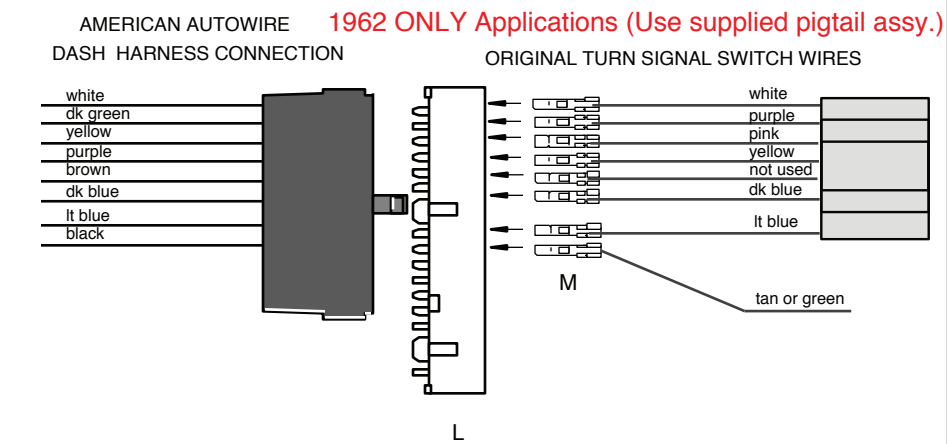
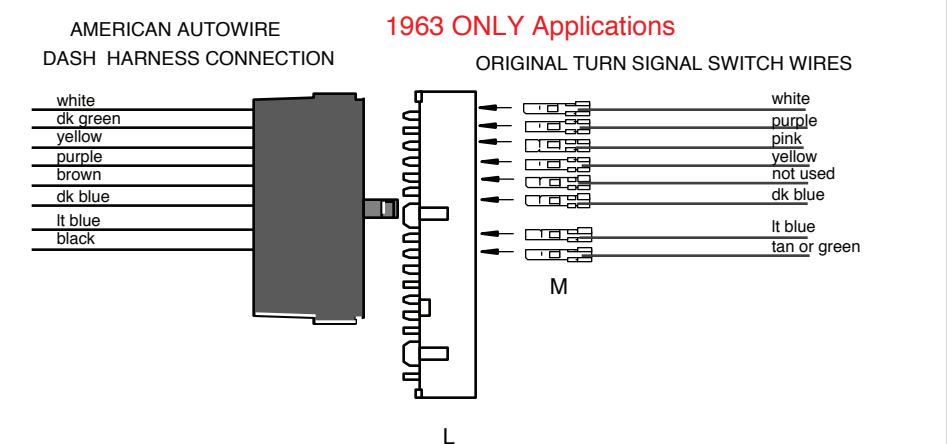
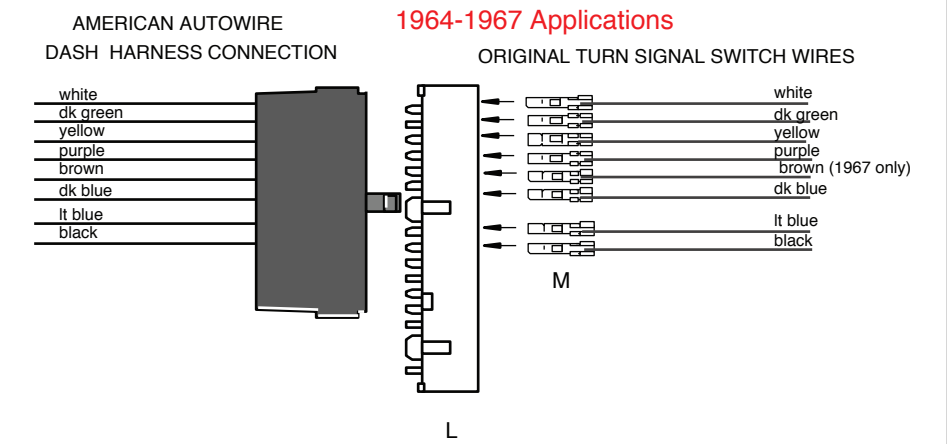
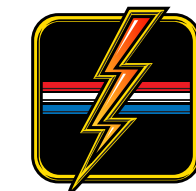


DIAGRAM G



American Autowire
American Autowire
800-482-9473

1962-67 Nova
DASH KIT
510142
92969268 instruction rev 2.0 5/6/2014

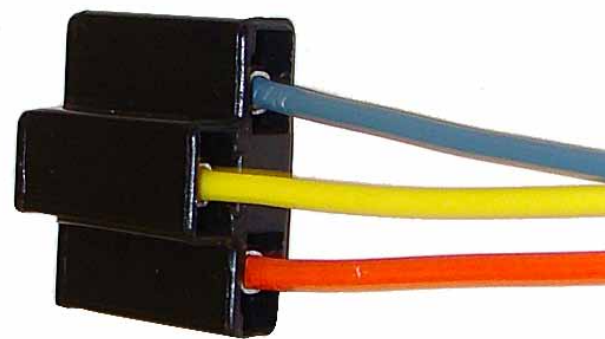


FIGURE #1
1962-65 SWITCH ORIENTATION



FIGURE #2
1965-67 SWITCH ORIENTATION

HEATER CONNECTIONS

1. Plug your blower motor lead into the short orange pigtail coming off of the factory assembled 3 way resistor connector on the supplied heater harness (orange, lt. blue, and yellow wires).
2. Plug the factory assembled 3 way resistor connector plug containing the orange, lt. blue, and yellow wires onto the blower resistor on top of your heater box.
3. For 1962-65 applications, plug the 3 loose ends of the heater harness into the blower switch connector contained in the loose piece parts bag (found in the dash harness bag "G") as shown in figure #1 above. Next, plug the newly assembled 3 way switch connection that you just completed onto the blower switch assembly along with the brown wire found at location #19 on page 3 of this document. Your heater connections are now complete.
4. For 1966-67 applications, plug the 3 loose ends of the heater harness into the 4 position blower switch connector and brown wire pigtail jumper (found as a loose piece connector and wire assembly contained in the dash harness bag "G") as shown in figure #2 above. Next, plug the newly assembled 4 way switch connection onto the blower switch assembly. Lastly, plug the brown wire found at location #19 on page 3 of this document into the mating connector of the short brown wire pigtail from the 4 position blower switch that you just installed. Your heater connections are now complete.

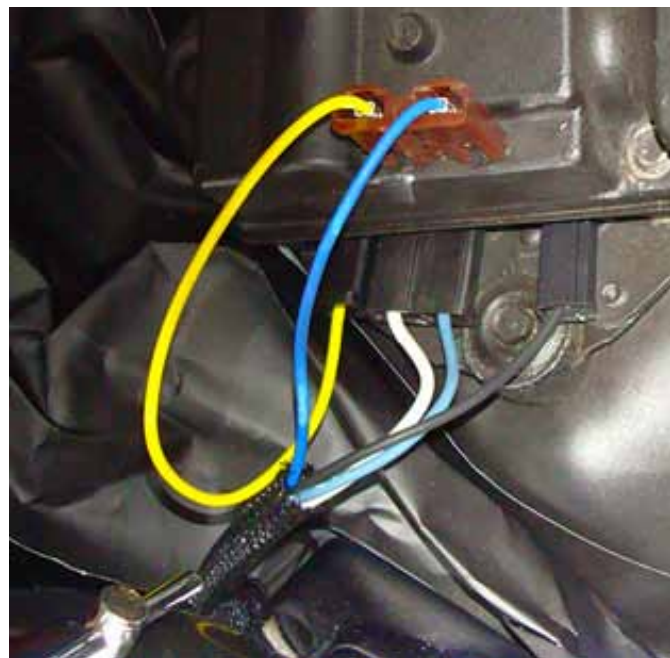


FIGURE #3
WIPER MOTOR CONNECTIONS

WIPER CONNECTIONS

There are multiple switch and motor configurations that were used on the Novas from 1962-67. You have been provided with any and all the wiring and connectors needed to complete the connection between your factory wiper switch and motor assembly. We have addressed the 2 speed with washer configurations at the right and above. If you have a single speed motor in your car, you simply connect the wiper power and ground circuit as addressed in #4 below and plug the 2 position connector onto your motor and the single connection onto your switch inside the car. Follow the instructions as we have outlined below, and your installation should be a success!

1. The black wire is the ground circuit for the low speed on your wiper motor
 2. The lt. blue wire is the ground circuit for the high speed on your wiper motor
 3. The dk. blue wire is the ground circuit for the washer pump on your wiper motor
 4. Route the wiper power wire from location #11 on the dash harness out through the firewall and over to your wiper motor. Cut it to length, install the provided terminal, and plug it into the wiper motor power connector (lt. blue wire in the black 2 position connector). Plug this connection onto the wiper motor as shown above in figure #3. Route the other end of the lt. blue wire back into the car.
 5. Plug the black wire assembly onto the wiper motor as shown above in figure #3. Route the other end of the black wire back into the car.
 6. Plug the dk. blue and yellow wire assembly in the brown connector onto the washer pump as shown above in figure #3. Plug the other end of the yellow wire onto the wiper motor as shown above in figure #3. Route the other end of the dk. blue wire back into the car.
- Your motor connections should now be completed! The following connections will take place back inside of the car under the dash and will then plug onto the wiper switch that meets your particular application.
7. After deciding which year car you are working with, take the 3 loose terminated ends (lt. blue, dk. blue, and black) that you just passed back into the car from steps 4, 5, and 6 above, and using the loose piece connectors that can be found in the loose piece parts bag (found inside the dash harness bag "G"), plug them into the correct corresponding connectors as shown to the right in figures # 4, 5 and 6. Plug the completed harness onto your wiper switch. Congratulations, your wiper connections are now complete!

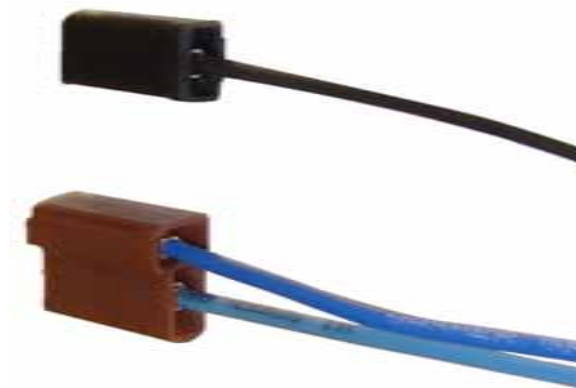


FIGURE #4
1962 SWITCH CONFIGURATION



FIGURE #5
1963 - 66 SWITCH CONFIGURATION



FIGURE #6
1967 SWITCH CONFIGURATION



**American
Autowire**

American Autowire
800-482-9473

1962-67 Nova
DASH KIT
510142

92969268 instruction rev 2.0 5/6/2014