

Classic Update Series

1968-69 Chevelle

START HERE !

PLEASE READ THIS BEFORE STARTING INSTALLATION !

This wiring kit is designed for ease of installation. Please read the guidelines below, BEFORE STARTING your installation, to guarantee a successful job! Use an appropriate crimping tool which folds the crimp wings on the terminals as shown below. Top quality crimping tools are available from American Autowire or American Autowire authorized dealers.

NOTE: ALL TERMINALS THAT YOU INSTALL SHOULD BE PROPERLY SOLDERED.

Our factory terminations are installed by GM approved termination presses, and soldering is not necessary on these terminations.



STEP 1: DISCONNECT YOUR BATTERY:

Disconnect the battery before installing the wiring kit to prevent any accidental shorting caused by loose bare wire ends.

STEP 2: START INSTALLING KIT:

This kit is broken down into individual steps that are identified by a letter printed on the instruction sheets visible through each bag. These letters are the order of operation for installing your kit. Start with the bag letter G, then H, etc. The order of installation is shown below.

G 510160 Dash Harness Kit
H 510163 Instrument Cluster Kit
J 510161 Engine Kit
K 510112 Console Kit
L 510162 Front Light Kit
M 510164 Rear Body Kit
N 500708 Courtesy Light Kit

STEP 3: RECONNECT YOUR BATTERY:

When you have completed the installation and are ready to reconnect the battery, make sure that the following electrical system grounds are in place:

- A. Battery is grounded to the ENGINE BLOCK.
- B. Battery is grounded to the frame.
- C. Engine block is grounded to the frame.
- D. Body is grounded to the frame.

STEP 4: CHECK ALL ELECTRICAL FUNCTIONS:

Any non-functioning items should be checked for proper installation. Any problems with your wiring and electrical circuit functions should be addressed to American Autowire Systems, Inc. as soon as possible to avoid any warranty problems.

If you have any questions concerning this or any of our products, please feel free to call us at 1-800-482-WIRE.

We carry many accessories for your 1968-69 Chevelle

OEM style turn signal switch

OEM style wiper switches

OEM style non-stick harness tape
p/n R0067108



p/n 07800482 - 68 floor shift delco
p/n 05698897 - 69 column shift delco
p/n 05698520 - 68 all w/Boyer
p/n 01997938 - 69 all



p/n 01993443 - 68 w/o recessed park
p/n 01993442 - 68 with recessed park
p/n 01993464 - 69 w/o recessed park
p/n 01993465 - 69 with recessed park



Muncie 4 speed back up lamp switch
p/n 03943657 (1969)
p/n 01993307 (1968)



OEM large terminal and double crimping tool (12-8 gauge)
p/n 500523



Multi-crimp tool (20-14 gauge)
p/n 500649



Breakerless Ignition Module,
GM V-8 POINT CONVERSION KIT
p/n 38131



Factory assembly manuals.
(It's what they used on the assembly line to build your Chevelle!)

p/n 36298 (1968)
p/n 36299 (1969)



American Autowire

800-482-9473

AMERICAN AUTOWIRE MAKES IT EASY !!

Classic Update Series

1968-69 Chevelle

510158

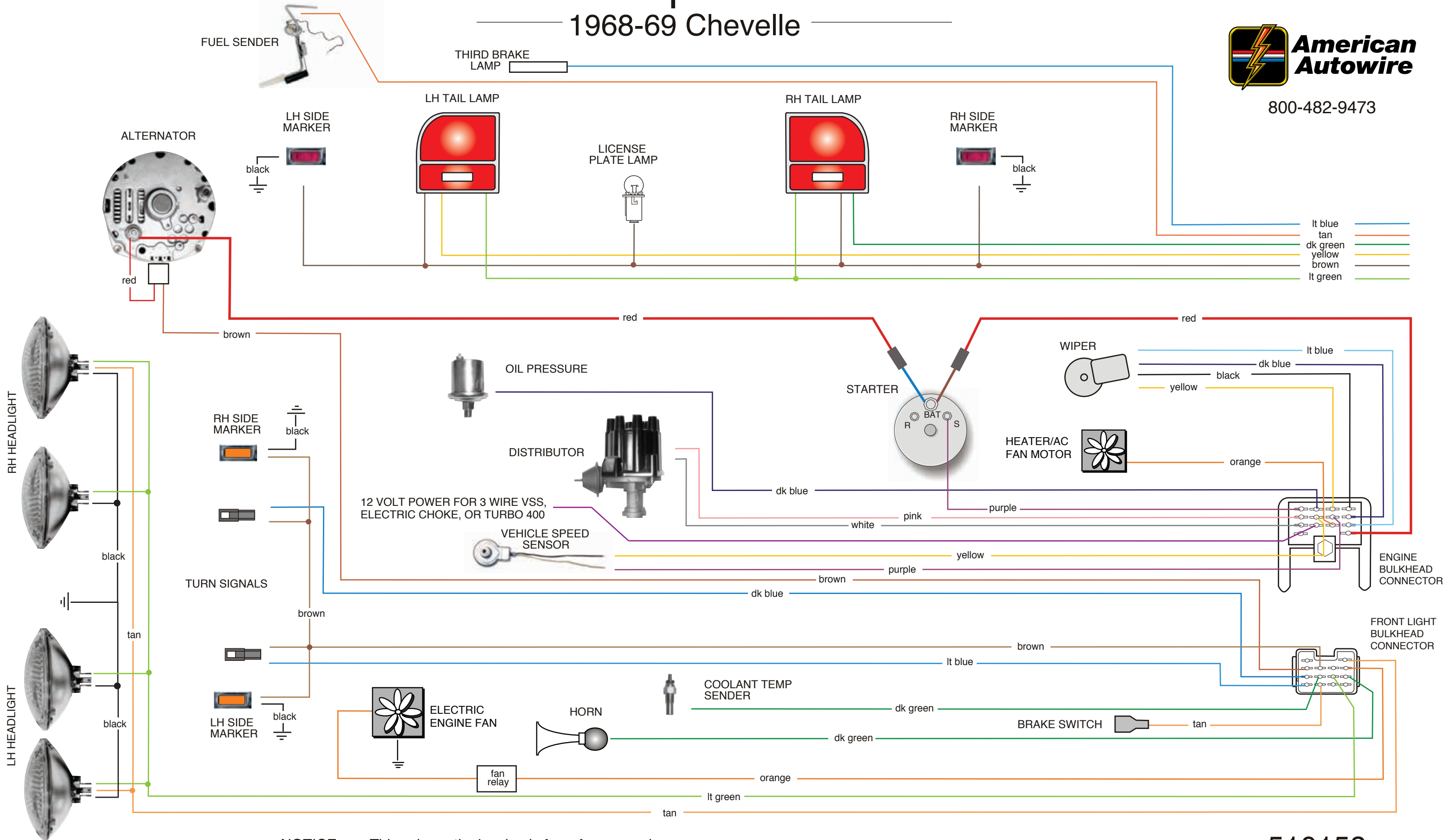
© COPYRIGHT 2004 American Autowire
Used with express permission of American Autowire
92969351 instruction sheet rev. 1.0 2/20/2012

Classic Update Series

1968-69 Chevelle



800-482-9473



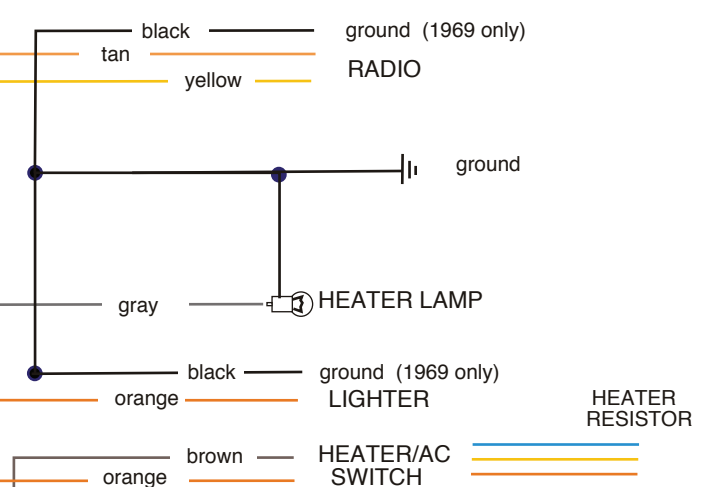
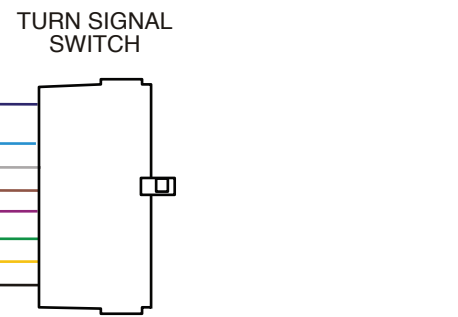
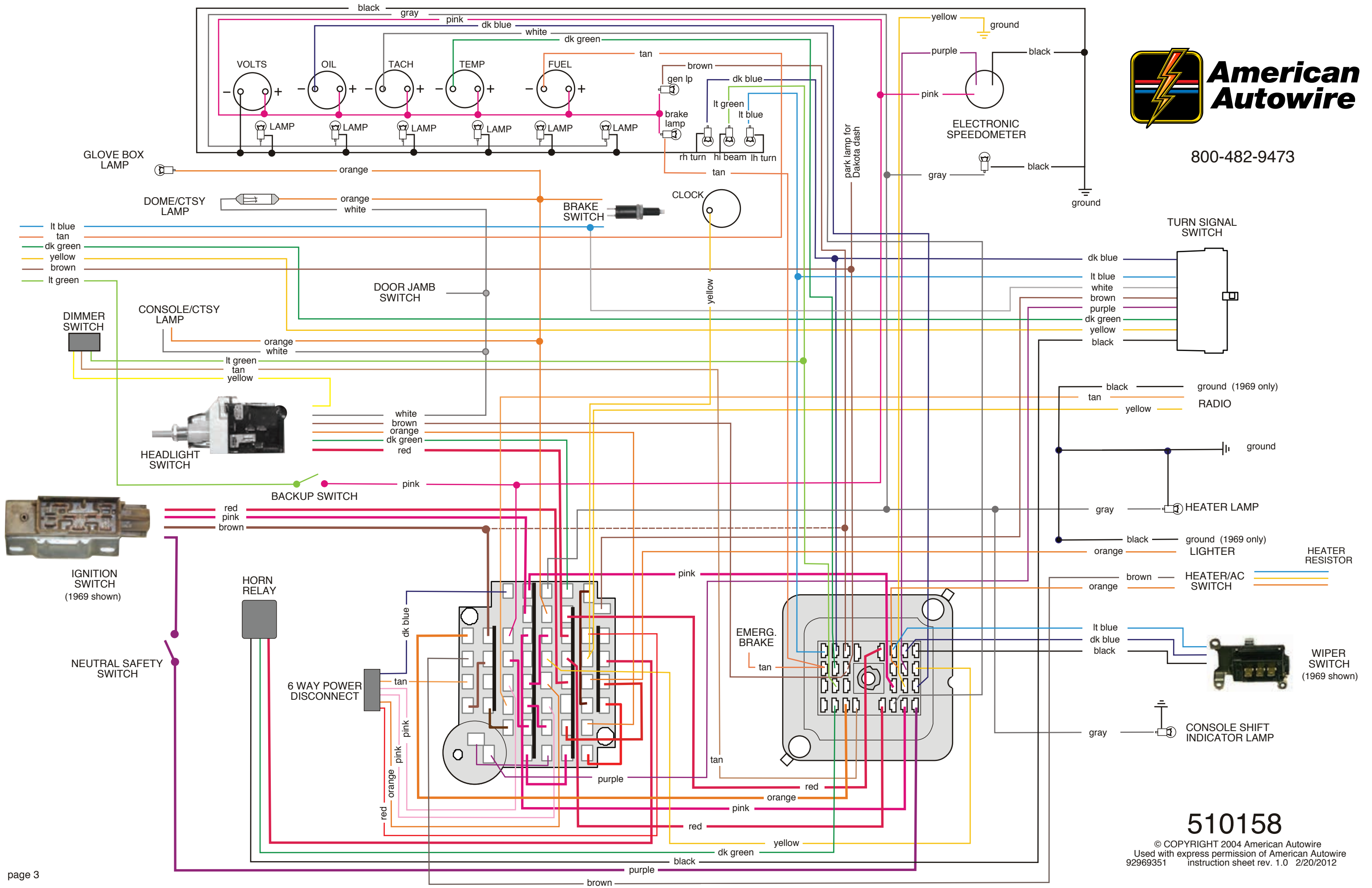
NOTICE: This schematic drawing is for reference only. Do not use the schematic to install this wiring kit! Use the instruction sheets included in each bag, which includes directions for proper terminations.

510158

© COPYRIGHT 2004 American Autowire
Used with express permission of American Autowire
92969351 instruction sheet rev. 1.0 2/20/2012



800-482-9473



510158

© COPYRIGHT 2004 American Autowire
Used with express permission of American Autowire
92969351 instruction sheet rev. 1.0 2/20/2012

**THIS PAGE HAS BEEN
INTENTIONALLY LEFT BLANK**



800-482-9473

510158

© COPYRIGHT 2004 American Autowire
Used with express permission of American Autowire
92969351 instruction sheet rev. 1.0 2/20/2012