

### Fuse Panel Installation Instructions

Following these simple instructions will guarantee a successful installation of your American Autowire fuse panel harness.

1. Study the diagram above to familiarize yourself with the dash harness.
2. Install the fuse box.
3. Route the dash harness using the factory support straps.
4. Make all connections as shown on the following pages of this dash harness kit.
5. Once this harness is installed, continue to bag 'H', and install the rest of the kit (bags H,J,K,L,M).



**American  
Autowire**

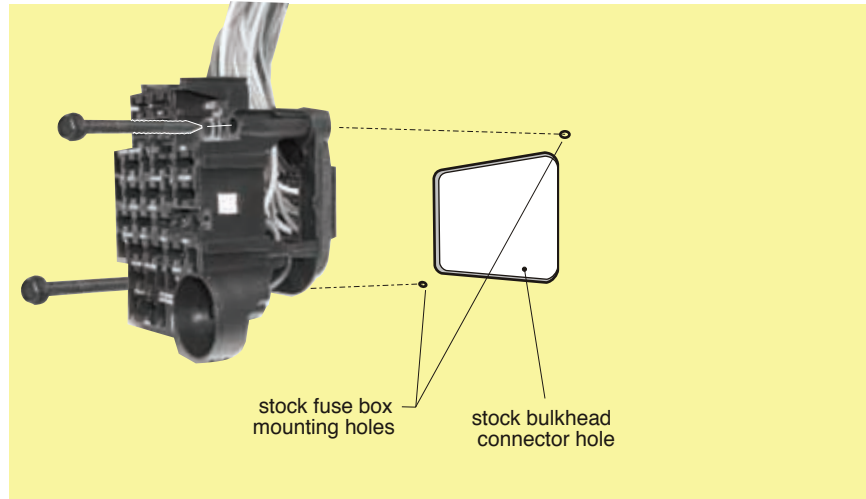
800-482-9473



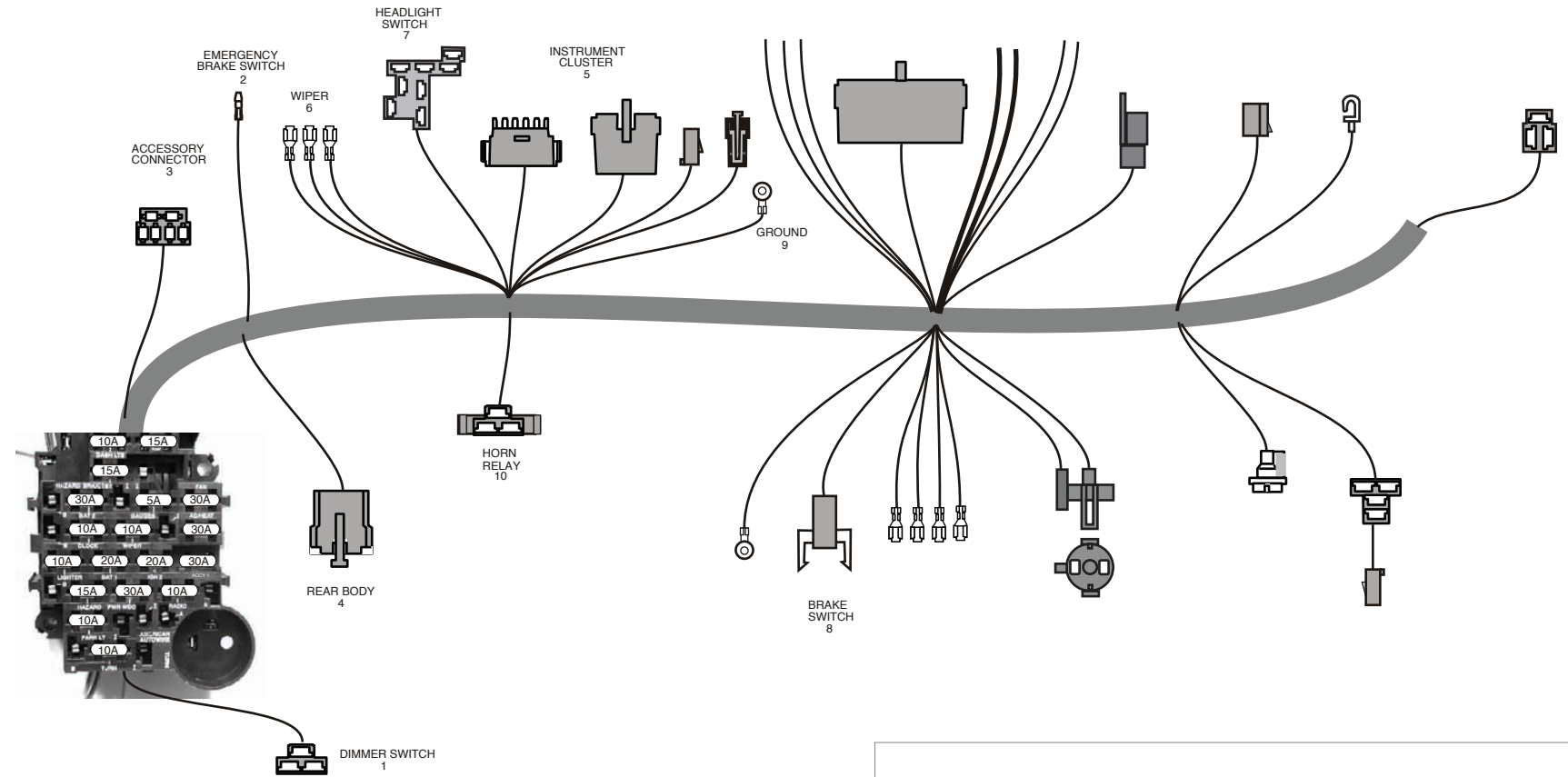
1968-69 Chevelle  
**DASH KIT**  
**510160**

92969353 instruction rev 1.0 6/22/2011

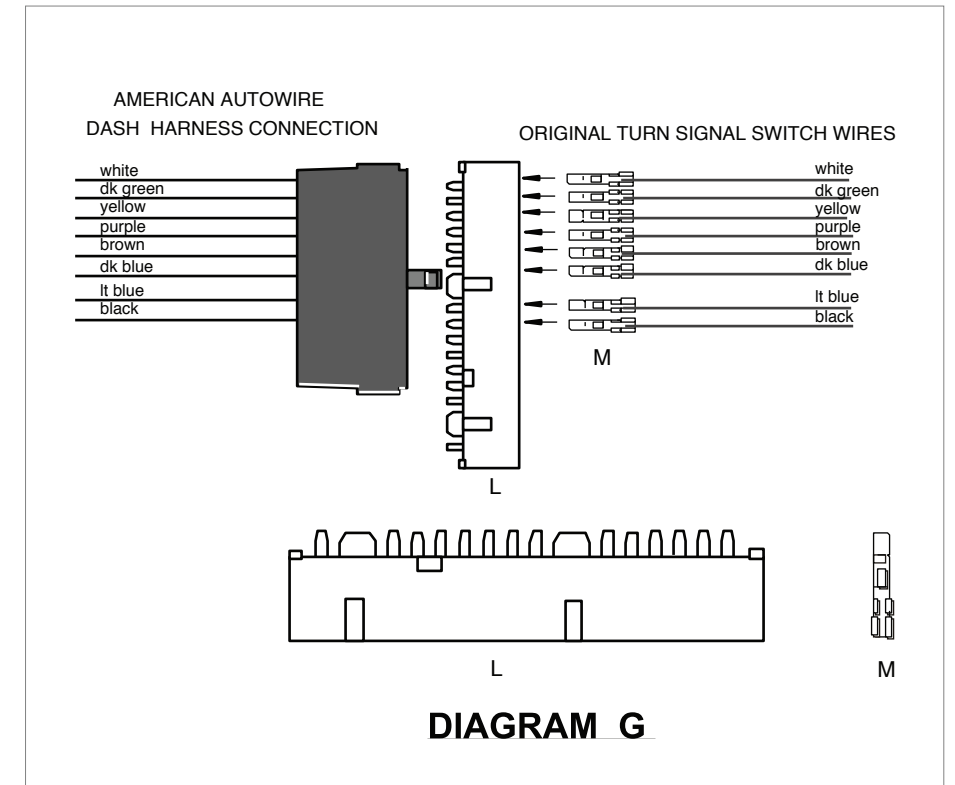
# INSTALLING THE FUSE BOX



1. Locate the stock OEM bulkhead hole in the driver side of the firewall.
2. Mount the fuse box with the flasher can in the bottom right corner, as shown above.
3. Using the two mounting screws A, attached the fuse panel to the firewall.



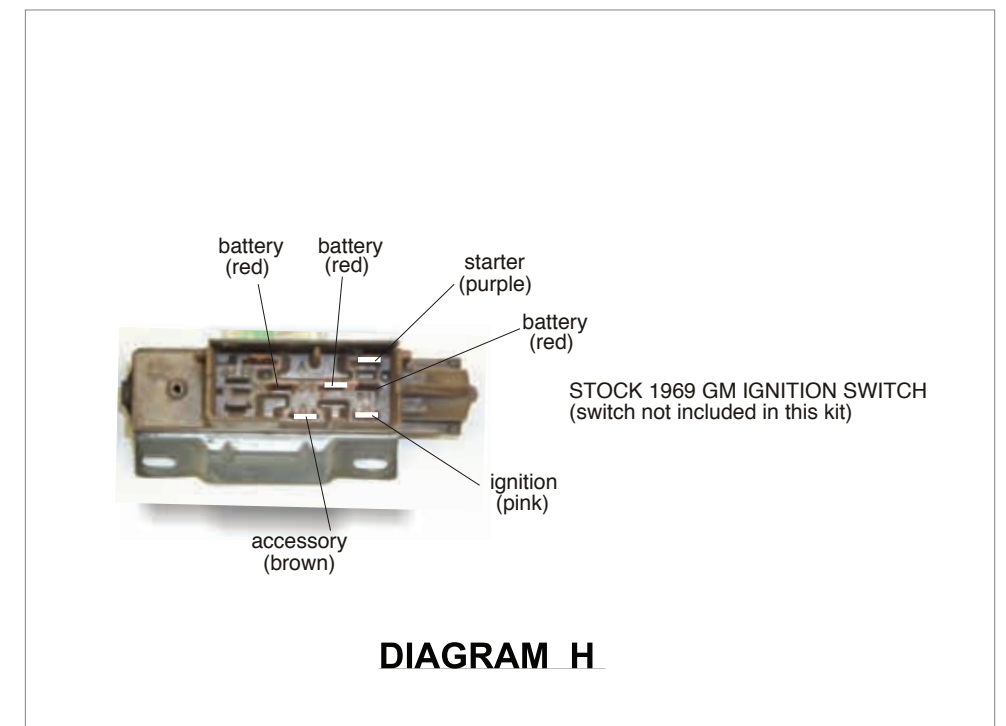
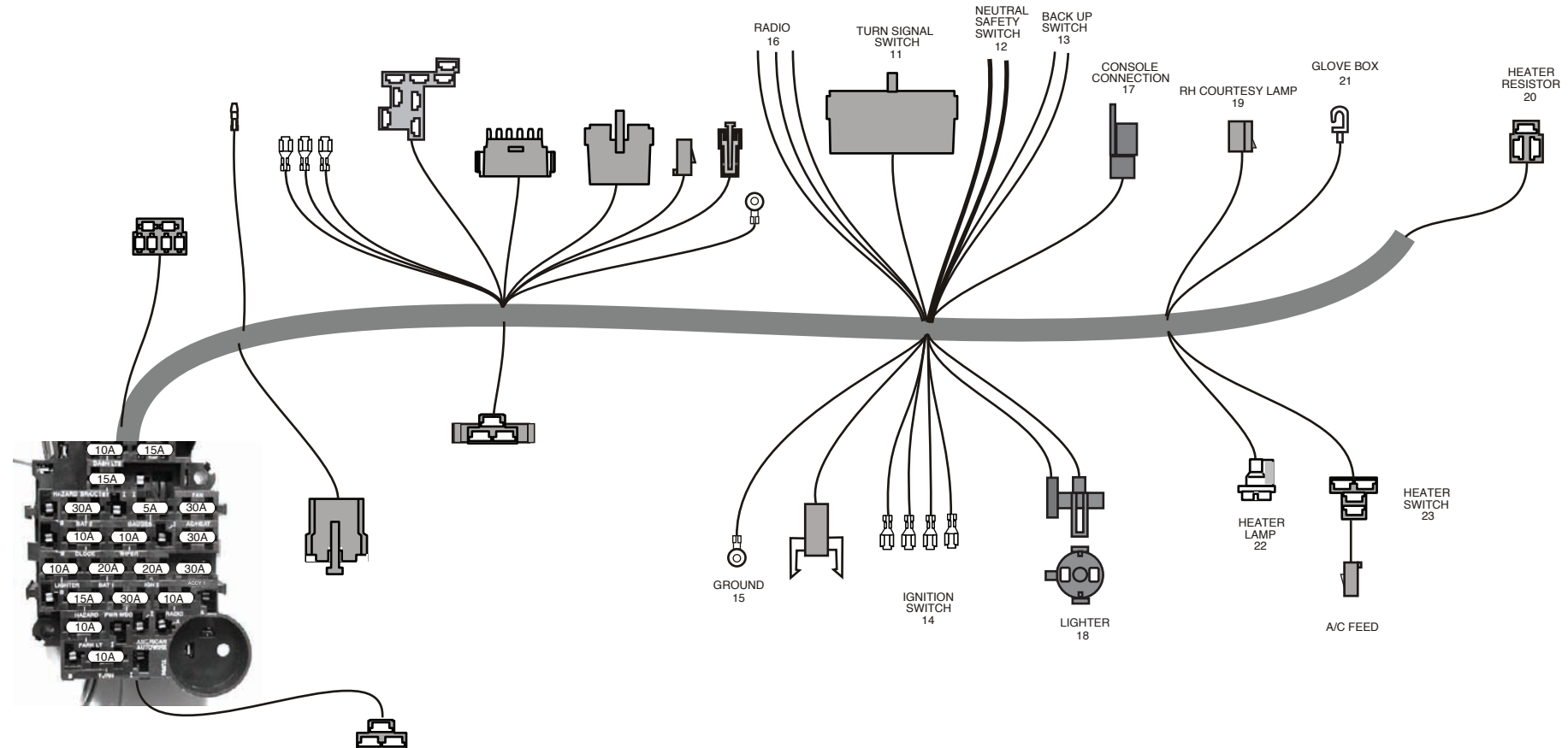
1	DIMMER SWITCH	Light Green Light Green Tan Yellow	Thin wire is feed to high beam indicator light in instrument cluster Heavy wire is headlight high beam feed wire. Headlight low beam feed wire. Headlight power feed wire from headlight switch.
2	EMERGENCY BRAKE	Tan	Connect to the emergency brake switch. This is the ground circuit for the brake switch light.
3	ACCESSORIES		Use the provided connector and terminals as power leads for the following:
		Fuse Rating	
		Tan FUEL 10 amp	Fused 12 volt IGNITION feed for fuel pump (may also be used to feed power to another ignition circuit)
		Orange BAT1 20 amp	Fused 12 volt BATTERY feed for power seats (may also be used to feed power to another battery circuit)
		Red BAT2 30 amp	Fused 12 volt BATTERY feed for power door locks (may also be used to feed power to another battery circuit)
		Pink IGN1 20 amp	Fused 12 volt IGNITION feed for cruise control (may also be used to feed power to another ignition circuit)
		Pink PWRWDO 30 amp	Fused 12 volt IGNITION feed for power windows (may also be used to feed power to another ignition circuit)
		Dk Blue ACCY1 30 amp	Fused 12 volt ACCESSORY feed (may also be used to feed power to an accessory circuit)
4	REAR BODY		This connector will mate to the connector from the Rear Body harness found in bag L.
		Tan	Fuel tank sender lead
		Brown	Tail lamp feed
		Yellow	LH turn / brake feed
		Dark Green	RH turn / brake feed
		Orange	Dome / courtesy lamp feed
		White	Dome / courtesy lamp ground
		Light Green	Back up lamp feed
		Light Blue	Third brake light
5	INSTRUMENT CLUSTER DISCONNECTS		These connectors will plug into the gauge disconnect harness 510163, bag H. Wire identifications are described on the Instruction sheets in bag H.
6	WIPER		See page 4 for exact placement of the wires in the proper connectors for either the 1968 or 1969 applications.
		Black	Ground circuit for low speed. (in 3 way connector)
		Dk Blue	Ground circuit for washer. (in 3 way connector)
		Lt Blue	Ground circuit for hi speed. (in 3 way connector)
7	HEADLIGHT SWITCH	Red Orange Brown Yellow Dk Green White	12 volt BAT feed for H/L power "in" on switch 12 volt feed for PARK / TAIL power "in" location on switch. (commonly found on GM headlight switches). Park lamp and tail lamp feeds "out" from PARK LAMP OUT location on switch. Dimmer feed "out" from DIMMER FEED location on switch. Instrument lamp feed "out" from INSTRUMENT LAMP location on switch to fuse panel. Dome / courtesy ground COURTESY GROUND location on switch.
8	BRAKE SWITCH	Orange White Lt Blue Black	Plug this connector into the factory stop lamp switch. 12 volt feed "in" to switch. 12 volt brake feed "out" to steering column turn signal switch. 12 volt brake feed "out" to third brake light. Connect to a good chassis ground.
9	GROUND	Black	Plug the horn relay (found in the fuse bag 500707) into this connector.
10	HORN RELAY	Red Black Green	12 volt battery feed Relay ground circuit (from steering column) Triggered 12 volt output to horn



800-482-9473

1968-69 Chevelle  
DASH KIT  
**510160**

92969353 instruction rev 1.0 6/22/2011



11	TURN SIGNAL SWITCH	<p>This harness has a connector on it for the 3 7/8 in. 1969-74 GM steering column connection used by GM and many after-market manufacturers. If using a late model GM steering column or an aftermarket column using the 4 1/4 in. GM turn signal connector, replace existing connector with connector "L" being sure to match wires by color. (See diagram G on sheet 2 if needed)</p> <p>White 12 volt brake feed "in" from brake switch          Dark Green RH rear stop / turn          Yellow LH rear stop / turn          Purple 12 volt keyed feed from turn flasher          Brown 12 volt battery feed from hazard flasher          Dark Blue RH front turn          Light Blue LH front turn          Black Horn relay ground wire to horn switch in column / steering wheel</p>
12	NEUTRAL SAFETY SWITCH	<p>Connect these wires to the neutral safety switch on the column or console shifter.</p> <p>Purple 12 volt feed "in" to neutral safety switch from ignition switch.          Purple 12 volt feed "out" to starter solenoid.</p>
13	BACK UP SWITCH	<p>Connect these wires to the back up switch on the column or console shifter.</p> <p>Pink 12 volt ignition feed "in" to back up lamp switch          Lt Green 12 volt feed "out" to back up lamps</p>
14	IGNITION SWITCH	<p>Note: See page 4 for exact placement of the wires in the proper connectors for either the 1968 or 1969 applications.</p> <p>Red 12 volt battery feed          Pink 12 volt ignition feed          Brown 12 volt accessory feed          Purple Starter lead wire to Neutral Safety Switch</p>
15	GROUND	<p>Black Connect to a good chassis ground (Lighter and heater lamp grounds)</p>
16	RADIO	<p>Tan Radio accessory "on/off" feed (Keyed 12 volt power feed)          Yellow Radio constant 12 volt clock or memory lead (Battery 12 volt power feed)          Black Radio ground</p>
17	CONSOLE CONNECTION	<p>These wires are for use on a console vehicle only! For wire functions, refer to bag K, 510112.</p>
18	LIGHTER	<p>Orange Connect to lighter. (Battery feed)          Black Connect to lighter. (Ground feed)</p>
19	RH COURTESY LAMP	<p>Plug this connector into the mating connector from the courtesy lamp kit bag N, 500708.</p> <p>Orange 12 volt battery feed fo lamp          White Ground circuit for lamp</p>
20	HEATER RESISTOR	<p>Plug this connector into the factory heater resistor located on top of the heater box on most non-A/C cars</p>
21	GLOVE BOX LIGHT	<p>Orange Connect to the original factory glove box lamp switch. If not using, just tape back fishhook connect to the main harness and insulate well</p>
22	HEATER LAMP	<p>Gray Heater lamp feed          Black Heater lamp ground</p>
23	HEATER SWITCH	<p>Plug this connector into the factory heater switch.</p> <p>Brown 12 volt accessory feed to heater / ac switch (if using aftermarket a/c, use the short brown wire as the accessory feed wire to a/c harness. If a new factory A/C harness is needed, please contact our Sales Department for the proper application for your car)</p> <p>Yellow Heater resister          Lt Blue Heater resister          Orange Heater resister</p>



800-482-9473

1968-69 Chevelle  
**DASH KIT**  
**510160**



1968 wiper switch connection  
with depressed park



1968 wiper switch connection  
without depressed park

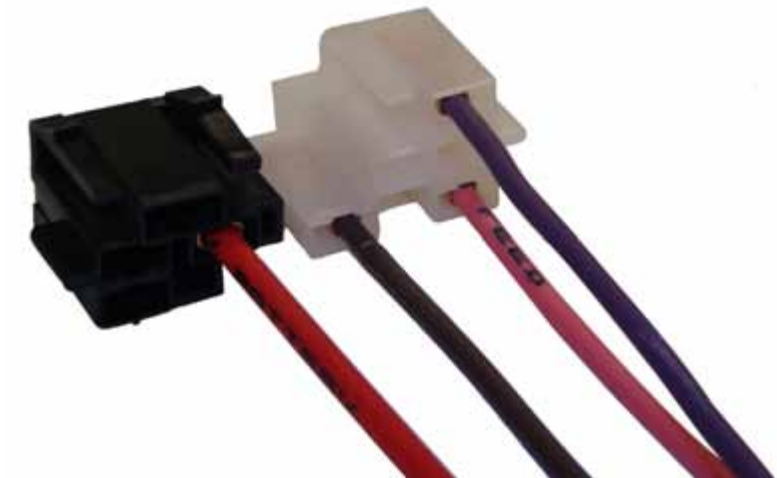


1968 ignition switch connection



1969 wiper switch connection

On this page you will find  
the proper windshield wiper  
switch and ignition switch  
connections for all the 1968  
and 1969 Chevelle models.



1969 ignition switch connection



800-482-9473

1968-69 Chevelle  
DASH KIT  
**510160**

92969353 instruction rev 1.0 6/22/2011