

# Classic Update Series

\*\*\* These are special instructions for connecting your wiring system to a stock instrument cluster. \*\*\*

**Note 1:** This kit does not support the use of a stock ammeter.

**Note 2:** If you are using after market gauges, follow the instructions in the included 92968220 Gauge Connection Kit along with the specific gauge manufacturers instructions for connection of the gauges.

If you are using the stock gauges, refer to the attached diagrams for your application year. Use the enclosed parts and information below for wire termination and gauge connection. Connectors A,B,C and the Clock Extension will plug into your dash harness at location 5 as noted on the Dash Harness instruction sheet.

## CONNECTOR A

TAN	Brake Warning Lamp	Install components shown on the following sheets, and plug into the brake light hole in cluster.
DK BLUE	Right Turn Indicator	Install components shown on the following sheets, and plug into the right turn hole in cluster.
LT BLUE	Left Turn Indicator	Install components shown on the following sheets, and plug into the left turn hole in cluster.
LT GREEN	Hi Beam Indicator Lamp	Install components shown on the following sheets, and plug into the high beam hole in cluster.
TAN	Fuel Gauge	Install components shown on the following sheets, and plug onto the fuel gauge.
BLACK	69 Fuel Gauge Ground	This wire is plugged into the 69 only fuel gauge connector and will install as shown on sheets 4 or 5. Attach the loose end under the dashboard assembly being certain that it is connected to a good known chassis ground.
DK BLUE	Oil Gauge / Lamp	Install components shown on the following sheets, and plug onto the oil gauge or into the lamp hole in cluster.
DK GREEN	Temp Gauge / Lamp	Install components shown on the following sheets, and plug onto the temperature gauge or into the lamp hole in cluster.
WHITE	Tach (loose wire)	This wire is used on factory gauge applications only. Plug loose wire into Connector A maintaining color continuity with the mating connector on your dash harness, install components shown on the following sheets, and plug onto the tachometer.
BROWN	Generator Lamp	This wire is used on warning lamp applications only. This wire is stamped "ALT-IGN". Plug loose wire into Connector A maintaining color continuity with the mating connector on your dash harness, install components shown on the following sheets, and plug into the generator (alternator) lamp hole in cluster.

## CONNECTOR B

PINK	12v ignition	Install components shown on the following sheets, and connect to proper gauges or warning lights requiring a 12v ignition feed.
GREY	Instrument Lamps	Install components shown on the following sheets, and plug into the instrument lamp holes in the cluster.
BLACK	Ground	Connect to the back of the instrument cluster housing.
BROWN	Dakota Digital only	This wire is stamped "PARK LIGHTS". Use this wire only if you are using a Dakota Digital instrument cluster. Plug loose wire into Connector B maintaining color continuity with the mating connector on your dash harness. Follow the manufacturer's instructions and connect the other end of this wire to the "park lamp" location on their control unit to operate the automatic dimming function for the cluster when the lights are turned on.

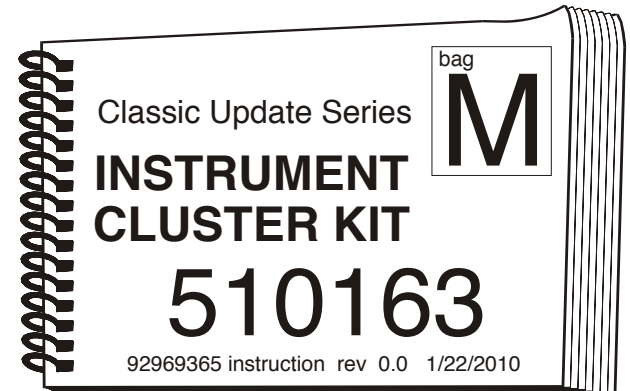
## CONNECTOR C

YELLOW	Vehicle Speed Sensor	This connector is used when using an aftermarket electronic speedometer. Follow the manufacturer's instructions when installing these wires. If you are using the stock speedometer, then discard this connector.
PURPLE	Vehicle Speed Sensor	
YELLOW	Clock Battery Feed	
		Ground lead
		Signal lead
		This wire plugs onto the blade on your factory installed in dash clock assembly.

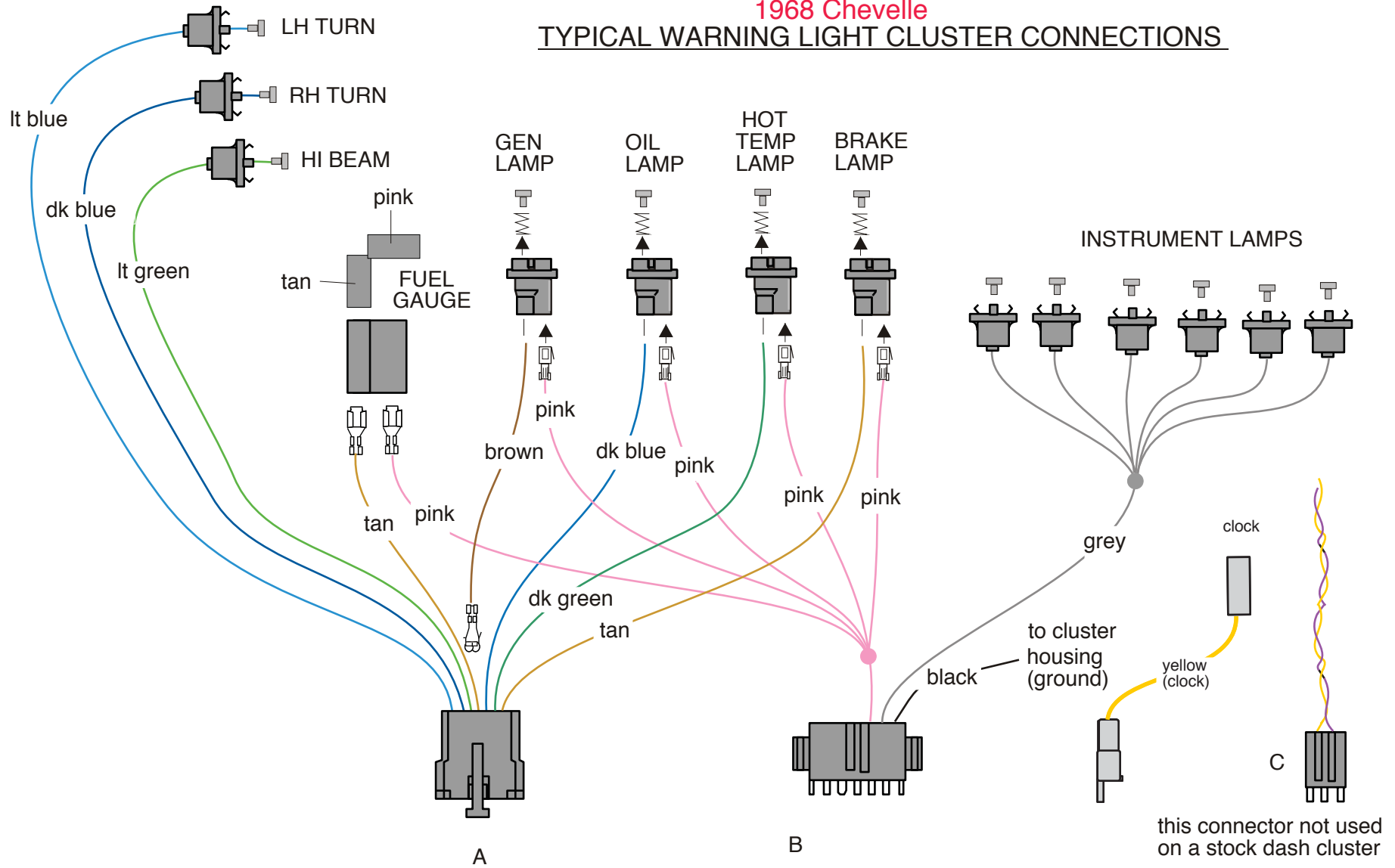


**American  
Autowire**

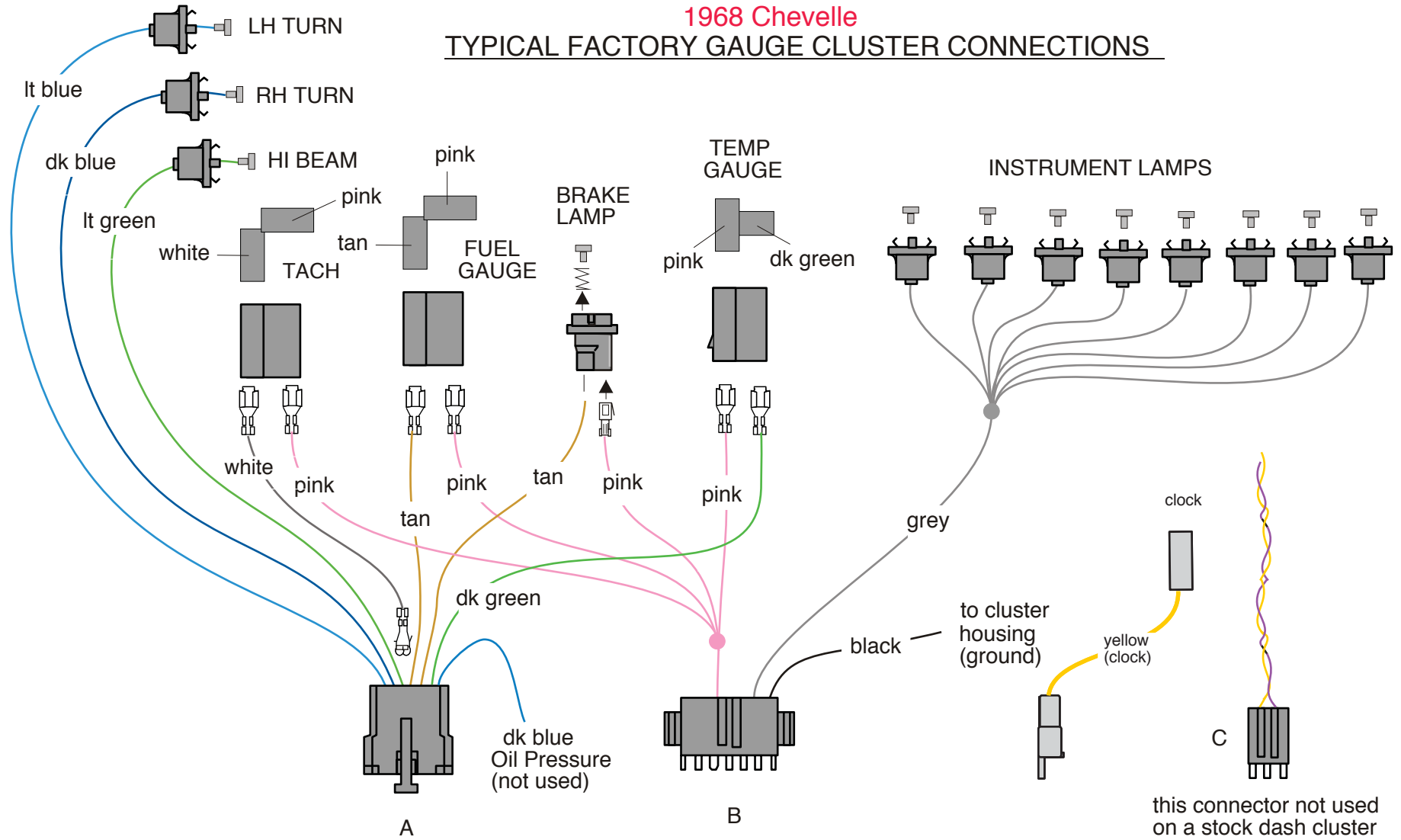
800-482-9473

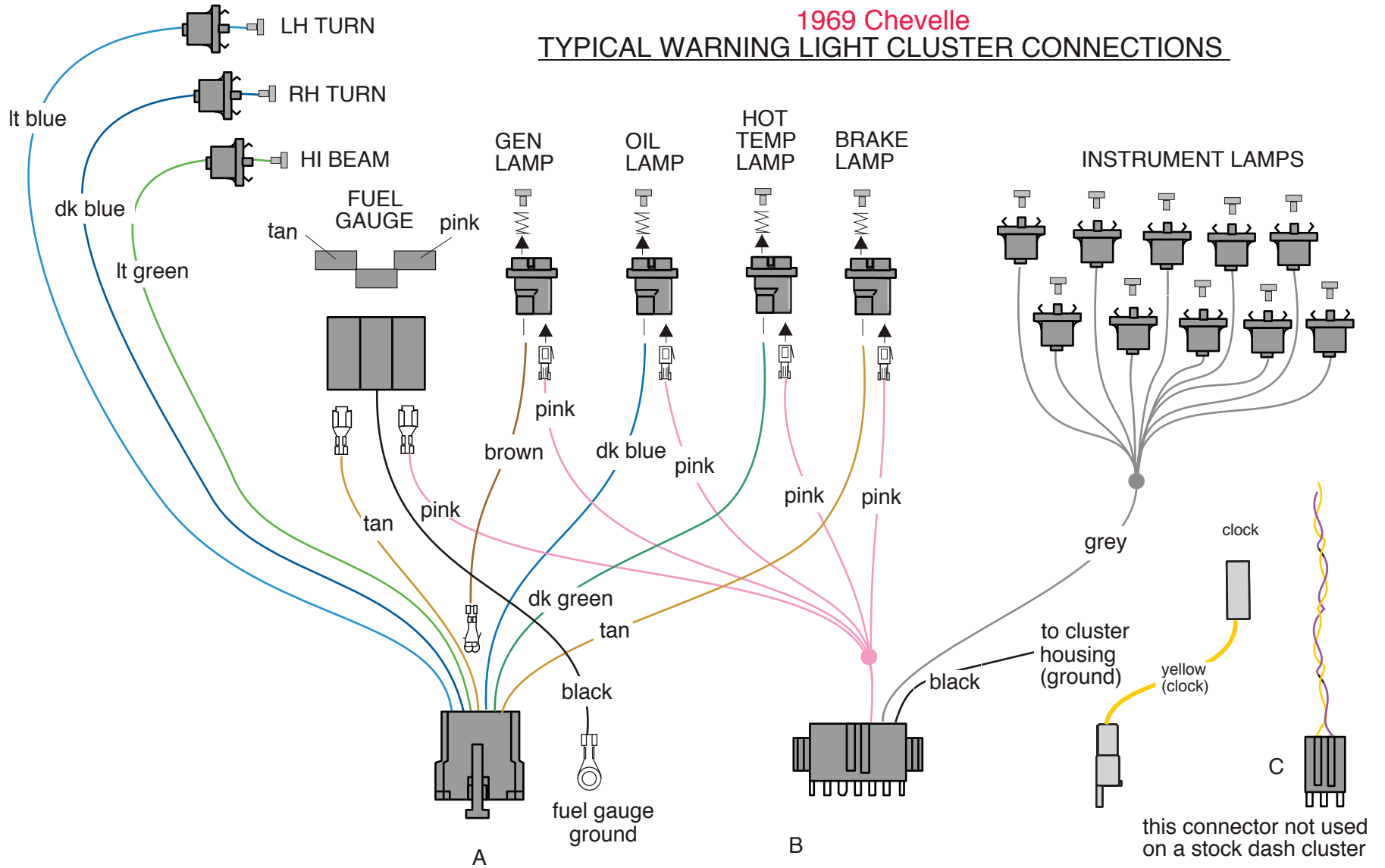


## 1968 Chevelle TYPICAL WARNING LIGHT CLUSTER CONNECTIONS

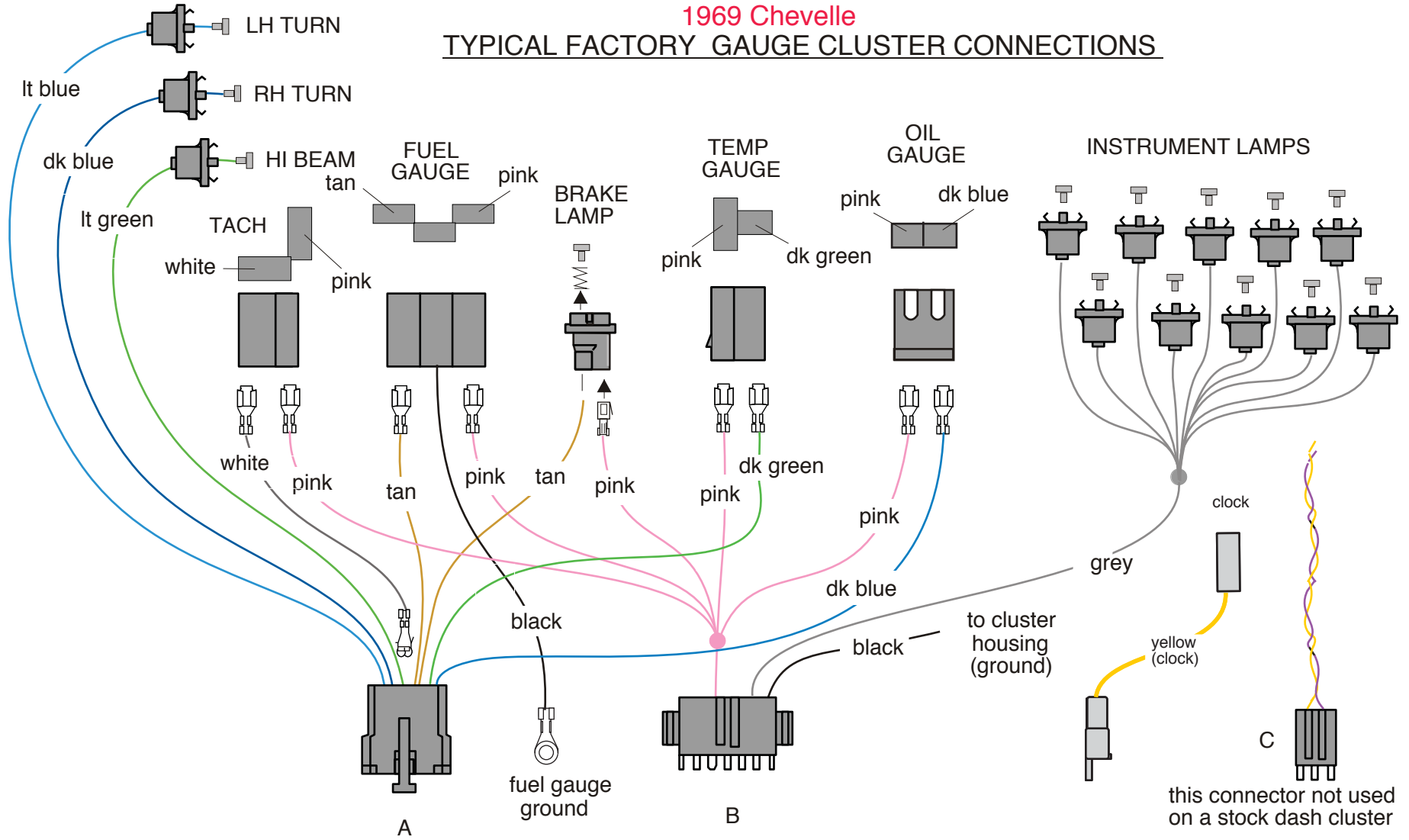


## 1968 Chevelle TYPICAL FACTORY GAUGE CLUSTER CONNECTIONS





## 1969 Chevelle TYPICAL FACTORY GAUGE CLUSTER CONNECTIONS



THIS PAGE INTENTIONALLY  
LEFT BLANK