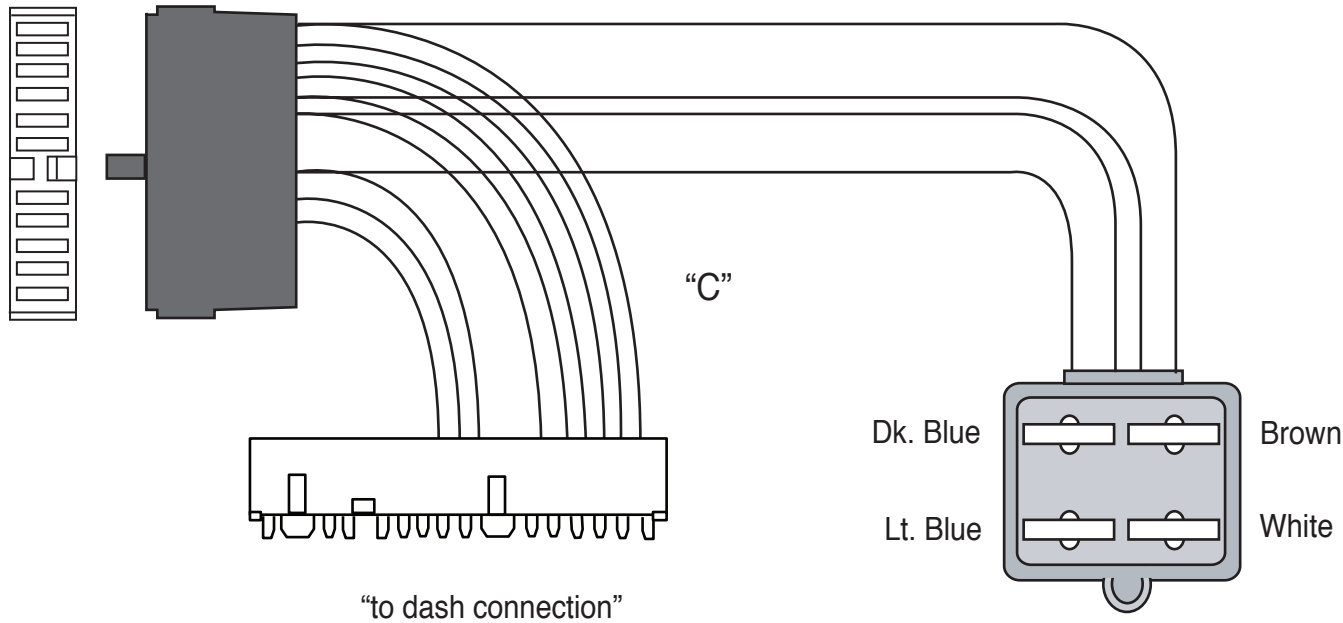
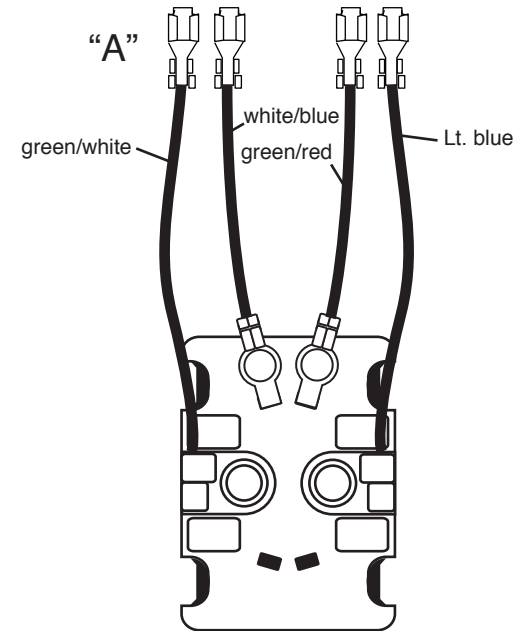
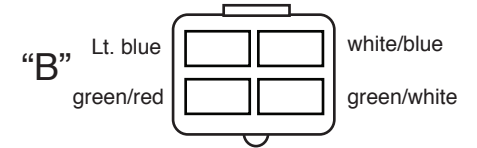


“to column connection”



“to dash connection”

Looking into the front of the connector.



Production Hazard Switch
(as viewed from back)

Looking into the front of the connector.

This accessory harness allows for the use of the stock '64-'66 Mustang accessory hazard flasher switch along with a stock Mustang steering column and the AAW 510125 '64-'66 Mustang Classic Update Kit.

Approximately 6" back from your stock hazard switch, (located inside your glove box) cut the white/blue (RF), green/white (LF), green/red (brake input), and the light blue (12w from flasher) wires. (Discard balance of stock hazard flasher harness)

Apply terminals “A” to the 4 cut wires and plug into connector “B” as shown above and to the right. Plug connector “B” into mating connector on harness “C” shown above. Be sure that: AAW light blue mates to switch green/white; AAW dark blue mates to switch white/blue; AAW brown mates to switch light blue; and AAW white mates to switch green/red.

Plug column and dash connections into dash harness 510047 and your steering column to complete the installation.



www.americanautowire.com
800-482-9473

