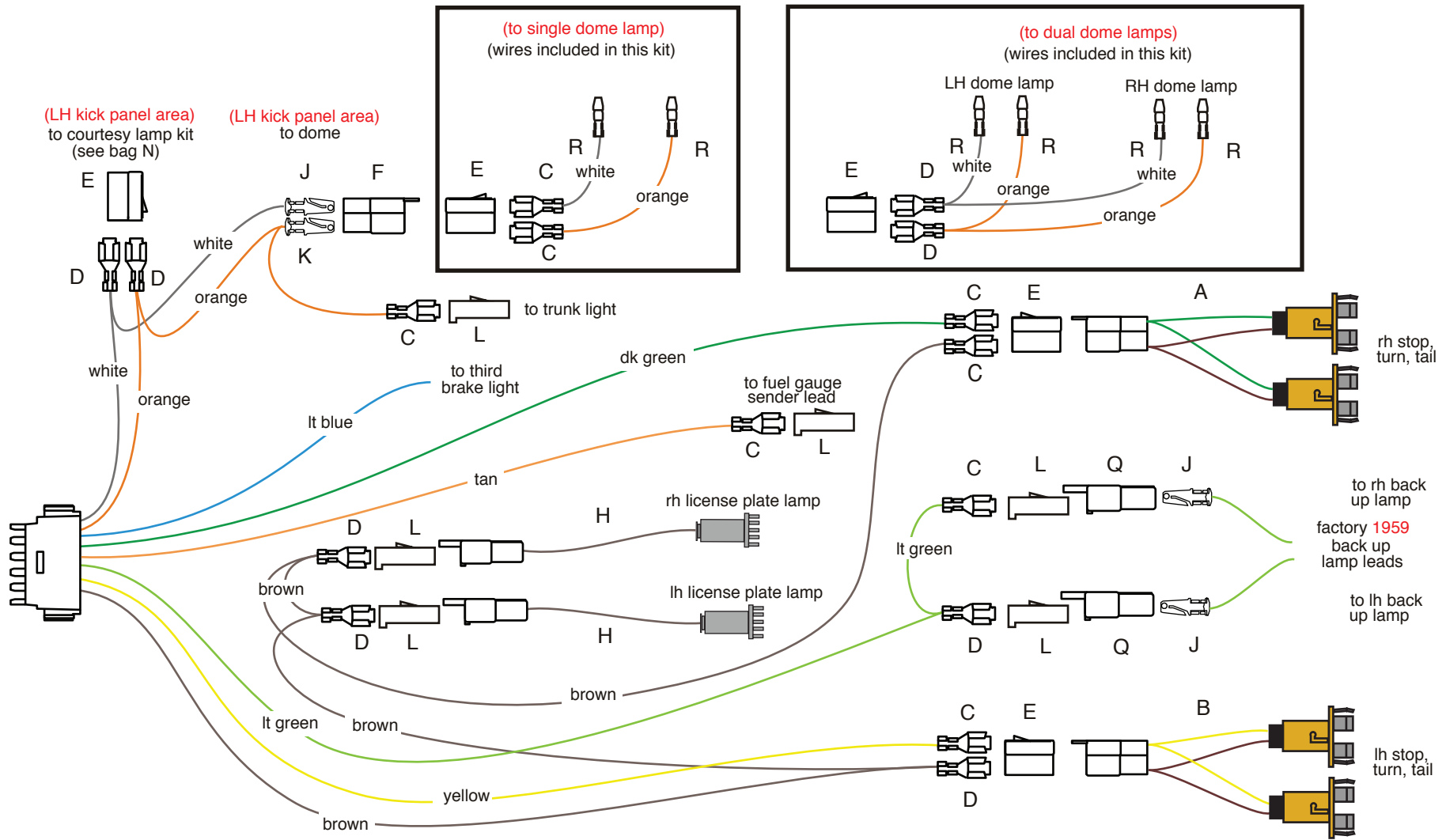


# Classic Update Series



1959 Impala, Bel Air and Biscayne



www.americanautowire.com 856-933-0801

Classic Update Series

1959-60 Impala

REAR BODY KIT

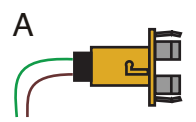
**510222**

92969713 instruction rev 0.0 2/3/2011

bag **M**

## 1959 Impala, Bel Air, and Biscayne (See sheet 1)

Connect the main connector to the mating connector on the dash harness 510219 bag G. Route this harness down the driver's door sill & into the trunk.

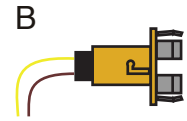


LIGHT BLUE  
TAN

Third brake light  
Fuel Tank Sender

Connect to the third brake lamp, if equipped.

Route this wire to the rear of the car close to the exit hole in the trunk floor then down to the fuel tank sender, install terminal C and connector L onto the wire, then plug the assembled connector lead onto the sending unit to complete the fuel tank sender connection.



BROWN

Running lamps

**Note:** Two new license lamp leads H have been provided for you. Plug these onto connectors L in the following rear body assembly instructions to complete your two license lamp connections. New Stop/Tail lamp pigtails B and A (yellow and brown for LH driver's side, and green and brown for RH passenger's side) have been provided for you as well. Simply plug them onto connectors E in the following assembly instructions to complete your stop and tail lamp connections.

Route this wire to the LH tail lamp, cut to length, double this wire with the cut off portion, install terminal D and plug into connector E in the location shown on sheet 1. Route the loose end of this brown wire to the LH license lamp area, cut to length, double this wire with the cut off portion, install terminal D and plug into connector L as shown on sheet 1. Route the loose end of this brown wire to the RH license lamp area, cut to length, double this wire with the cut off portion, install terminal D and plug into connector L as shown on sheet 1. Route the loose end of this brown wire to the RH tail lamp area, cut to length, install terminal C and plug into connector E in the location shown on sheet 1.



YELLOW

LH Stop / Tail

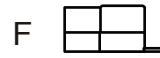
Route this wire to the LH tail lamp area, cut to length, install terminal C and plug into the empty cavity of connector E as shown on sheet 1. Plug LH pigtail B (yellow and brown wires) from above onto this connection to complete the LH stop, turn, and tail circuits.



DK GREEN

RH Stop / Tail

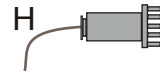
Route this wire to the RH tail lamp area, cut to length, install terminal C and plug into the empty cavity of connector E as shown on sheet 1. Plug RH pigtail A (green and brown wires) from above onto this connection to complete the RH stop, turn, and tail circuits.



LIGHT GREEN

Back up lamp feed

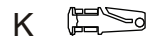
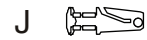
Route this wire to the LH back up lamp area, cut to length, double this wire with the cut off portion, install terminal D and plug into connector L as shown on sheet 1. Route the loose end of this light green wire over to the RH back up lamp area, cut to length, install terminal C and plug into connector L as shown on sheet 1. Plug your factory assembled back up lamps onto connectors L from above as shown on sheet 1 to complete your two back up lamp connections. New terminals J and connectors Q have been provided in the event that the original ends from your back up lamps have been damaged.



WHITE

Courtesy ground

At the driver's side kick panel area, cut this wire, double it with the cut off portion using terminal D and plug into connector E maintaining color continuity with the mating connector in the courtesy lamp kit (bag N). If you are using a dome lamp, loop the loose end of this wire so that it remains in the kick panel area, cut to length, install terminal J and plug into connector F in location shown on sheet 1.



ORANGE

Courtesy Lamp Feed

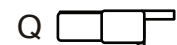
**Dome extension:** Install the loose white wire/wires R (supplied with terminal installed) into the dome lamp housing/housings. Route the unterminated end/ends of this/these wire/wires to connector F as shown on sheet 1, trim to length, install terminal C (for single dome lamp applications) or terminal D (for dual dome lamp applications) and into plug connector E maintaining color continuity with the white wire in connector F.



At the driver's side kick panel area, cut this wire, double it with the cut off portion using terminal D and plug into connector E maintaining color continuity with the mating connector in the courtesy lamp kit (bag N). If you are using a dome lamp, loop the loose end of this wire so that it remains in the kick panel area, cut to length, install terminal K and plug into connector F in location shown on sheet 1. Route the loose end of this orange wire back to the trunk lid area, trim to length, install terminal C and connector L. Your factory trunk lamp lead will plug into this connection if so equipped.

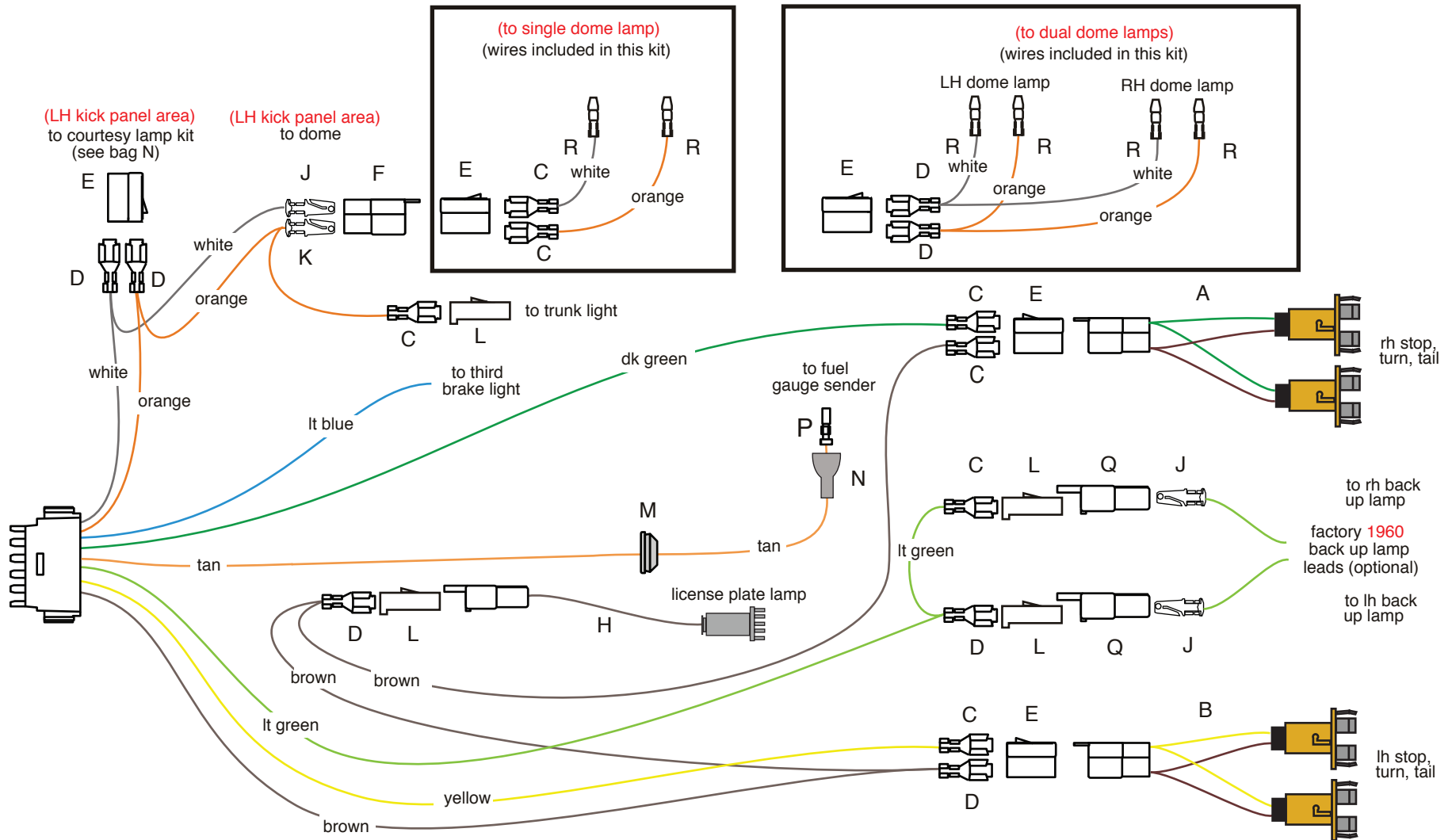


**Dome extension:** Install the loose orange wire/wires R (supplied with terminal installed) into the dome lamp housing/housings. Route the unterminated end/ends of this/these wire/wires to connector F as shown on sheet 1, trim to length, install terminal C (for single dome lamp applications) or terminal D (for dual dome lamp applications) and into plug connector E maintaining color continuity with the orange wire in connector F.



Your completed dome extension will plug into connector F in the LH kick panel area to complete your dome lamp connections.

# Classic Update Series



1960 Bel Air  
and Biscayne

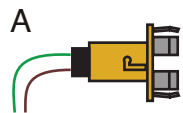


**American  
Autowire**

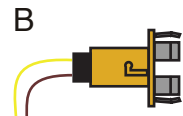
www.americanautowire.com 856-933-0801

Classic Update Series **M**  
 1959-60 Impala  
 REAR BODY KIT  
**510222**  
 92969713 instruction rev 0.0 2/3/2011

## 1960 Bel Air and Biscayne (See sheet 3)



Connect the main connector to the mating connector on the dash harness 510219 bag G. Route this harness down the driver's door sill & into the trunk.  
 LIGHT BLUE Third brake light Connect to the third brake lamp, if equipped.  
 TAN Fuel Tank Sender Route this wire to the rear of the car close to the exit hole in the trunk floor, slide the wire through grommet M and rubber sender connector N then down to the fuel tank sender, install terminal P (be sure you have a very tight crimp on this terminal) and pull the wire and terminal up inside of rubber connector N, then plug the assembled connector lead onto the sending unit to complete the fuel tank sender connection.



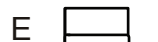
BROWN Running lamps  
**Note:** A new license lamp lead H has been provided for you. Plug this onto connector L in the following rear body assembly instructions to complete your license lamp connection. New Stop/Tail lamp pigtails B and A (yellow and brown for LH driver's side, and green and brown for RH passenger's side) have been provided for you as well. Simply plug them onto connectors E in the following assembly instructions to complete your stop and tail lamp connections.



Route this wire to the LH tail lamp, cut to length, double this wire with the cut off portion, install terminal D and plug into connector E in the location shown on sheet 1. Route the loose end of this brown wire to the license lamp area, cut to length, double this wire with the cut off portion, install terminal D and plug into connector L as shown on sheet 1. Route the loose end of this brown wire to the RH tail lamp area, cut to length, install terminal C and plug into connector E in the location shown on sheet 1.



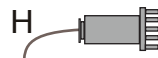
YELLOW LH Stop / Tail  
 Route this wire to the LH tail lamp area, cut to length, install terminal C and plug into the empty cavity of connector E as shown on sheet 1. Plug LH pigtail B (yellow and brown wires) from above onto this connection to complete the LH stop, turn, and tail circuits.



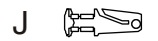
DK GREEN RH Stop / Tail  
 Route this wire to the RH tail lamp area, cut to length, install terminal C and plug into the empty cavity of connector E as shown on sheet 1. Plug RH pigtail A (green and brown wires) from above onto this connection to complete the RH stop, turn, and tail circuits.



LIGHT GREEN Back up lamp feed  
 Route this wire to the LH back up lamp area, cut to length, double this wire with the cut off portion, install terminal D and plug into connector L as shown on sheet 1. Route the loose end of this light green wire over to the RH back up lamp area, cut to length, install terminal C and plug into connector L as shown on sheet 1. Plug your factory assembled back up lamps onto connectors L from above as shown on sheet 1 to complete your two back up lamp connections. New terminals J and connectors Q have been provided in the event that the original ends from your back up lamps have been damaged.



WHITE Courtesy ground  
 At the driver's side kick panel area, cut this wire, double it with the cut off portion using terminal D and plug into connector E maintaining color continuity with the mating connector in the courtesy lamp kit (bag N). If you are using a dome lamp, loop the loose end of this wire so that it remains in the kick panel area, cut to length, install terminal J and plug into connector F in location shown on sheet 1.



**Dome extension:** Install the loose white wire/wires R (supplied with terminal installed) into the dome lamp housing/housings. Route the unterminated end/ends of this/these wire/wires to connector F as shown on sheet 1, trim to length, install terminal C (for single dome lamp applications) or terminal D (for dual dome lamp applications) and into plug connector E maintaining color continuity with the white wire in connector F.



ORANGE Courtesy Lamp Feed  
 At the driver's side kick panel area, cut this wire, double it with the cut off portion using terminal D and plug into connector E maintaining color continuity with the mating connector in the courtesy lamp kit (bag N). If you are using a dome lamp, loop the loose end of this wire so that it remains in the kick panel area, cut to length, install terminal K and plug into connector F in location shown on sheet 1. Route the loose end of this orange wire back to the trunk lid area, trim to length, install terminal C and plug into connector L. Your factory trunk lamp lead will plug into this connection if so equipped.

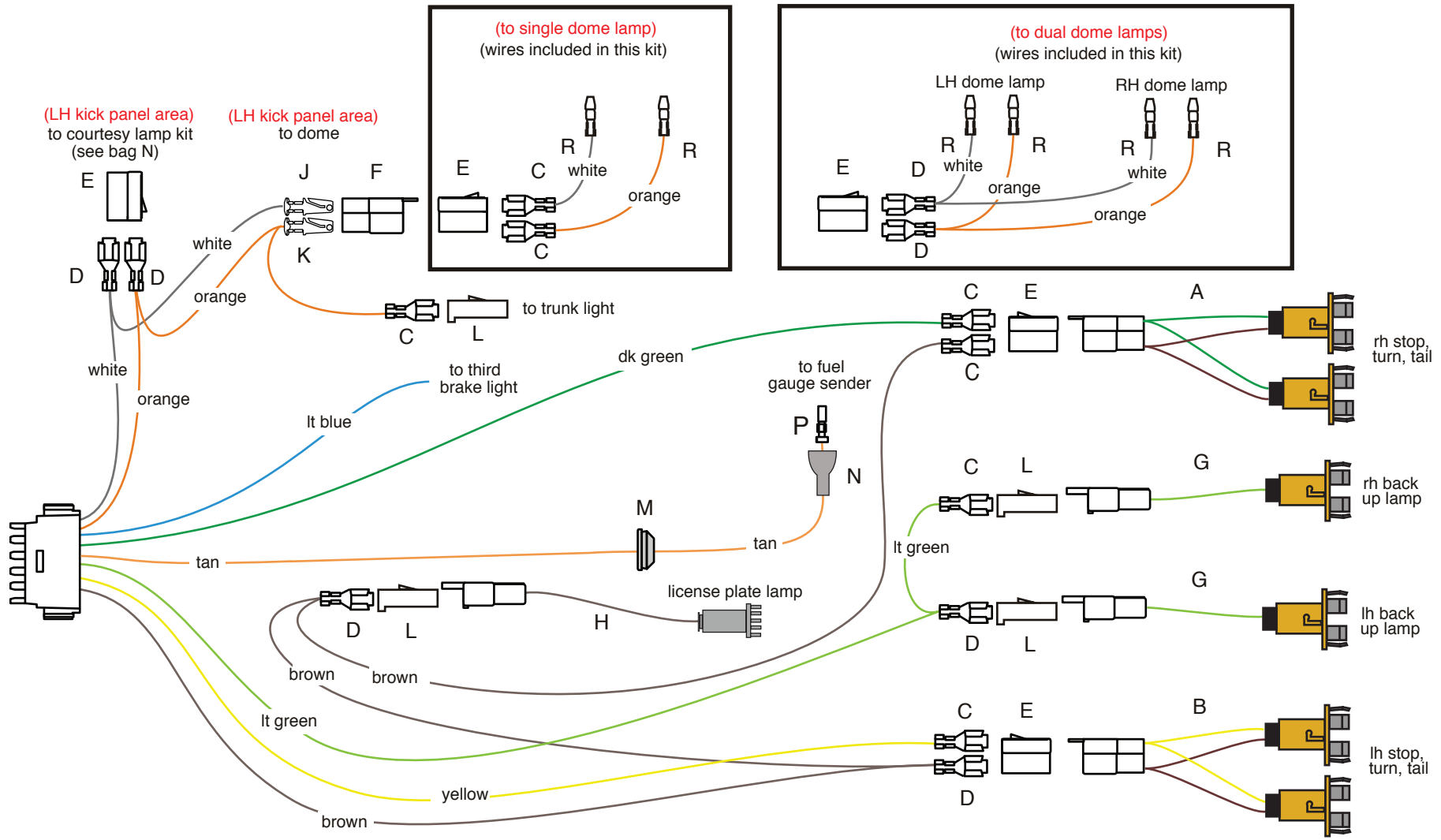


**Dome extension:** Install the loose orange wire/wires R (supplied with terminal installed) into the dome lamp housing/housings. Route the unterminated end/ends of this/these wire/wires to connector F as shown on sheet 1, trim to length, install terminal C (for single dome lamp applications) or terminal D (for dual dome lamp applications) and into plug connector E maintaining color continuity with the orange wire in connector F.



Your completed dome extension will plug into connector F in the LH kick panel area to complete your dome lamp connections.

# Classic Update Series



1960 IMPALA



**American  
Autowire**

www.americanautowire.com 856-933-0801

Classic Update Series bag  
**M**

59-60 IMPALA

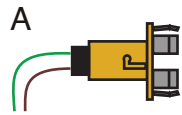
REAR BODY KIT

**510222**

92969713 instruction rev 0.0 2/3/2011

## 1960 Impala (See sheet 5)

Connect the main connector to the mating connector on the dash harness 510219 bag G. Route this harness down the driver's door sill & into the trunk.

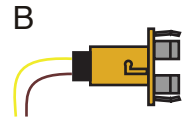


LIGHT BLUE  
TAN

Third brake light  
Fuel Tank Sender

Connect to the third brake lamp, if equipped.

Route this wire to the rear of the car close to the exit hole in the trunk floor, slide the wire through grommet M and rubber sender connector N then down to the fuel tank sender, install terminal P (be sure you have a very tight crimp on this terminal) and pull the wire and terminal up inside of rubber connector N, then plug the assembled connector lead onto the sending unit to complete the fuel tank sender connection.



BROWN

Running lamps

Note: A new license lamp lead H has been provided for you. Plug this onto connector L in the following rear body assembly instructions to complete your license lamp connection. New Stop/Tail lamp pigtails B and A (yellow and brown for LH driver's side, and green and brown for RH passenger's side) have been provided for you as well. Simply plug them onto connectors E in the following assembly instructions to complete your stop and tail lamp connections.

Route this wire to the LH tail lamp, cut to length, double this wire with the cut off portion, install terminal D and plug into connector E in the location shown on sheet 1. Route the loose end of this brown wire to the license lamp area, cut to length, double this wire with the cut off portion, install terminal D and plug into connector L as shown on sheet 1. Route the loose end of this brown wire to the RH tail lamp area, cut to length, install terminal C and plug into connector E in the location shown on sheet 1.



YELLOW

LH Stop / Tail

Route this wire to the LH tail lamp area, cut to length, install terminal C and plug into the empty cavity of connector E as shown on sheet 1. Plug LH pigtail B (yellow and brown wires) from above onto this connection to complete the LH stop, turn, and tail circuits.



DK GREEN

RH Stop / Tail

Route this wire to the RH tail lamp area, cut to length, install terminal C and plug into the empty cavity of connector E as shown on sheet 1. Plug RH pigtail A (green and brown wires) from above onto this connection to complete the RH stop, turn, and tail circuits.



LIGHT GREEN

Back up lamp feed

Note: Two new Back Up lamp pigtails G have been provided for you. Plug these onto connectors L in the following rear body assembly instructions to complete your two back up lamp connections.

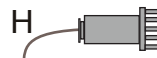
Route this wire to the LH back up lamp area, cut to length, double this wire with the cut off portion, install terminal D and plug into connector L as shown on sheet 1. Route the loose end of this light green wire over to the RH back up lamp area, cut to length, install terminal C and plug into connector L as shown on sheet 1. Plug the new back up lamp pigtails from above onto these 2 connections to complete your back up lamp circuits.



WHITE

Courtesy ground

At the driver's side kick panel area, cut this wire, double it with the cut off portion using terminal D and plug into connector E maintaining color continuity with the mating connector in the courtesy lamp kit (bag N). If you are using a dome lamp, loop the loose end of this wire so that it remains in the kick panel area, cut to length, install terminal J and plug into connector F in location shown on sheet 1.



ORANGE

Courtesy Lamp Feed

Dome extension: Install the loose white wire/wires R (supplied with terminal installed) into the dome lamp housing/housings. Route the unterminated end/ends of this/these wire/wires to connector F as shown on sheet 1, trim to length, install terminal C (for single dome lamp applications) or terminal D (for dual dome lamp applications) and into plug connector E maintaining color continuity with the white wire in connector F.



At the driver's side kick panel area, cut this wire, double it with the cut off portion using terminal D and plug into connector E maintaining color continuity with the mating connector in the courtesy lamp kit (bag N). If you are using a dome lamp, loop the loose end of this wire so that it remains in the kick panel area, cut to length, install terminal K and plug into connector F in location shown on sheet 1. Route the loose end of this orange wire back to the trunk lid area, trim to length, install terminal C and plug into connector L. Your factory trunk lamp lead will plug into this connection if so equipped.

Dome extension: Install the loose orange wire/wires R (supplied with terminal installed) into the dome lamp housing/housings. Route the unterminated end/ends of this/these wire/wires to connector F as shown on sheet 1, trim to length, install terminal C (for single dome lamp applications) or terminal D (for dual dome lamp applications) and into plug connector E maintaining color continuity with the orange wire in connector F.

Your completed dome extension will plug into connector F in the LH kick panel area to complete your dome lamp connections.