

# Classic Update Series

1966 - 1977 Ford Bronco

## START HERE !

PLEASE READ THIS BEFORE STARTING INSTALLATION !

This wiring kit is designed for ease of installation. Please read the guidelines below, BEFORE STARTING your installation to guarantee a successful job. Use an appropriate crimping tool which folds the wings of the open barrel terminals down into the wire as shown below. ALL TERMINALS THAT YOU INSTALL SHOULD BE PROPERLY SOLDERED. Our factory crimped terminations are installed by GM approved five ton presses, and soldering these terminations is not necessary. AAW offers a great terminal crimping video entitled "Proper Crimping Video". It can be viewed by visiting YouTube. Type the following address into your web browser to go directly to the video: [www.youtube.com/watch?v=8u\\_EkMsioMy](http://www.youtube.com/watch?v=8u_EkMsioMy).



AS THIS HARNESS IS DESIGNED FOR USE IN A MODIFIED TRUCK REQUIRING A HIGHER RATE OF CHARGE, IT DOES NOT SUPPORT THE USE OF A STOCK (ORIGINAL) ALTERNATOR OR GENERATOR. IT IS DESIGNED FOR USE WITH AN INTERNALLY REGULATED GM "SI" STYLE OR SINGLE WIRE STYLE ALTERNATOR. ADAPTERS (WHICH ARE NOT INCLUDED WITH THIS KIT) THAT ARE AVAILABLE FROM SEVERAL SOURCES WILL BE NECESSARY TO USE ANY ALTERNATOR OTHER THAN A 1 WIRE UNIT.

#### STEP 1: DISCONNECT YOUR BATTERY:

Disconnect the battery before installing the wiring kit to prevent any accidental shorting caused by loose bare wire ends.

#### STEP 2: START INSTALLING KIT:

This kit is broken down into individual steps that are identified by a letter printed on the instruction sheets visible through each bag. These letters are the order of operation for installing your kit. Start with bag letter G, then H, etc. The order of installation is shown below. Use this main instruction sheet, 92970069, to complete the installation process.

G - 510318 Dash Harness Kit  
H - 510319 Gauge Cluster Kit  
M - 510320 Rear Body Kit

#### STEP 3: RECONNECT YOUR BATTERY:

When you have completed the installation and are ready to reconnect the battery, make sure that the following electrical system grounds are in place:

- A. Battery is grounded to the ENGINE BLOCK.
- B. Battery is grounded to the frame.
- C. Engine block is grounded to the frame.
- D. Body is grounded to the frame.

#### STEP 4: CHECK ALL ELECTRICAL FUNCTIONS:

Any non-functioning items should be checked for proper installation. Any problems with your wiring and electrical circuit functions should be addressed to American Autowire Systems, Inc. as soon as possible to avoid any warranty problems.

If you have any questions concerning this or any of our products, please feel free to call us at 1-856-933-0801.

AMERICAN AUTOWIRE MAKES IT EASY !!

We carry many accessories for your 1966-77 Ford Bronco

p/n 500649

OEM small terminal crimping tool (18-14 gauge)



p/n 500523

OEM large terminal crimping tool (12-8 gauge)



p/n 500802

Ford Gen III Alternator Adapter



p/n R0067108

OEM style non-stick harness tape



**American  
Autowire**

[www.americanautowire.com](http://www.americanautowire.com) 856-933-0801

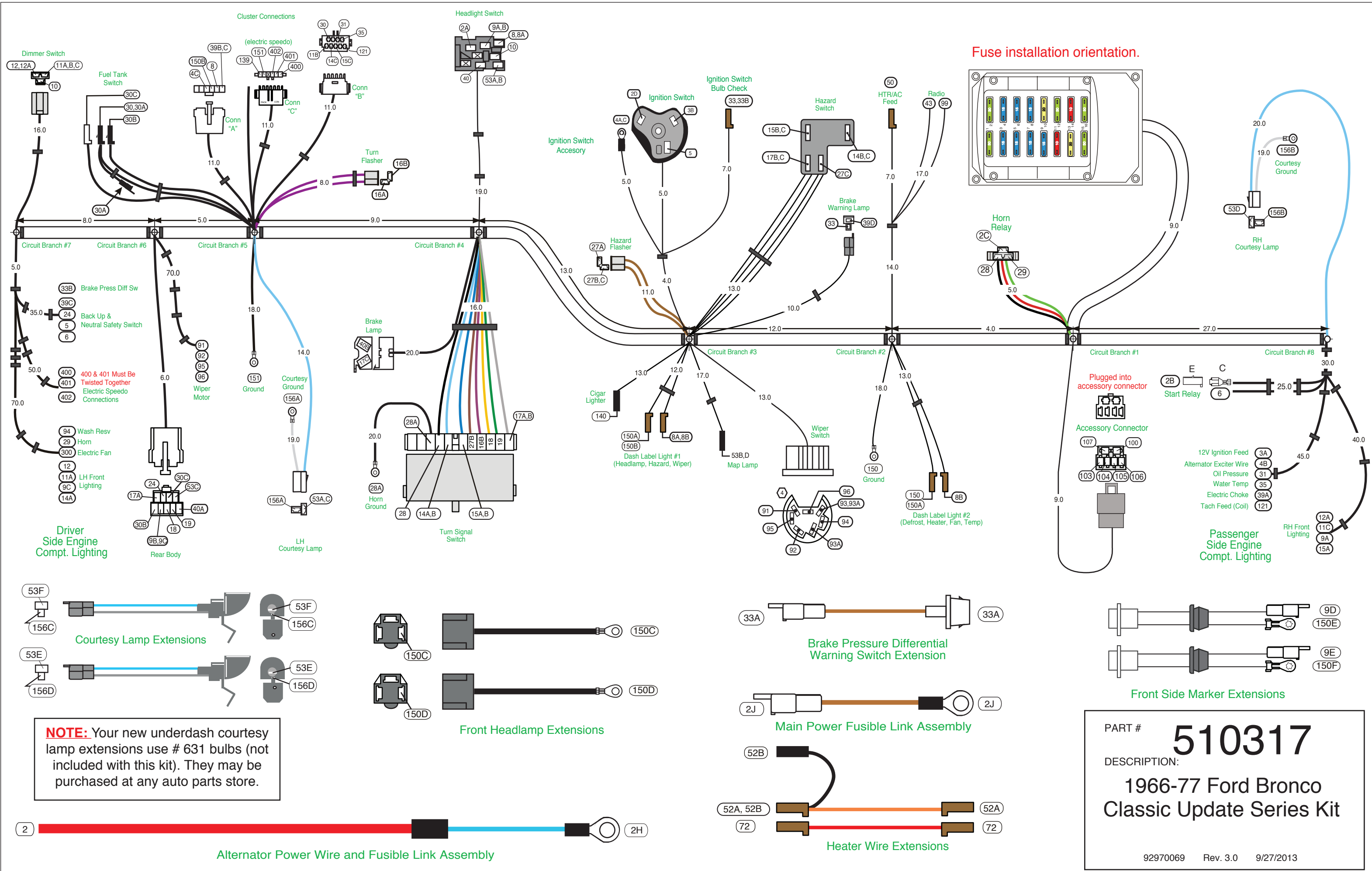
Classic Update Series

1966-1977  
Ford Bronco

510317

© COPYRIGHT 2004 American Autowire / Factory-Fit  
Used with express permission of  
American Autowire / Factory-Fit

92970069 Rev. 3.0 9/27/2013



**NOTE:** Your new underdash courtesy lamp extensions use # 631 bulbs (not included with this kit). They may be purchased at any auto parts store.

PART # **510317**  
 DESCRIPTION:  
**1966-77 Ford Bronco Classic Update Series Kit**

92970069 Rev. 3.0 9/27/2013

**Main Fuse Panel Installation Instructions**

The fuse box on this Main Fuse Panel harness is designed to be mounted under the dash to the outside of LH side the glovebox assembly as seen in the photo on page 11. The enclosed representation of the main dash harness shows each circuit branch and identifies each connection by its color and function. Follow this drawing and detail drawings on pages 9 and 10 for the individual circuit connections.

**Circuit Branch 8 - RH Front Lighting connections**

See page 9, Figure A for typical connections. For loose piece terminals and connectors, see parts kit # 510323.

**NOTE:** We have provided you with Terminals B and Connector F to assemble onto your existing parking lamps so that you can connect them onto the new AAW wire leads 9A and 15A below coming from the dash/main harness 510318 to complete your RH parking and directional circuits.

Wire #	Wire color	Printing	Procedure
15A	Dark Blue	Right Front Turn	Route to the right front parking lamp area. This wire should ultimately be mated with the high intensity filament (original white with a blue stripe wire) of the RH front parking lamp using terminals J and connector H as shown on page 9, Figure A.
9A	Brown	Park Lights	(66-69) Route to the right front parking lamp area. This wire should ultimately be mated with the low intensity filament (original brown wire) of the RH front parking lamp using terminals J and connector H as shown on page 9, figure A. (70-77) Route to the right front side marker lamp area cut to length, double with the cutoff portion, install terminal C and plug into connector E. Install 1 sidemarker extension assembly from page 2 through the inner fender area securing the grommet into the pass through hole and plug the extension onto connector E. Attach the black wire on the side marker extension to a good chassis ground. Route the loose end of this brown wire over to the RH parking lamp area and connect to the RH parking lamp. This wire should ultimately be mated with the low intensity filament (original brown wire) of the RH front parking lamp using terminals J and connector H as shown on page 9, figure A.
11C	Light Green	Headlight-Hi Beam	Select the light green Headlight Hi Beam wire 11C and tan Headlight Low Beam wire 12A. Route these wires to the RH headlight and using supplied terminals A as found in kit 510323, connect these wires into one of the front headlight extension assemblies (as shown on page 2) found on the dash/main wire kit, 510318. Specific connection and orientation for this process can be found in the diagram on page 9, Figure A.
12A	Tan	Headlight-Low Beam	

**Circuit Branch 8 - Eng., Alt. & Power connections**

See pages 9 and 10, Figures A and D for typical connections. For loose terminals/connectors, see parts kit # 510323.

Wire #	Wire color	Printing	Procedure
6	Purple	Starter Solenoid-S	Connect the end that comes out with the heavy red power wire 2B to the "S" terminal on your starter solenoid. (See Figure A).
2	Red	12 V Battery	Route this wire to your starter solenoid and connect the ring terminal end with the blue fusible link to the battery terminal on the starter solenoid. Route the other end to the alternator battery stud, install sleeve D followed by terminal L and attach this completed assembly to the battery power stud of the alternator. See page 10, Figure D
2H	Light Blue	Fusible Link	See the connection instructions under wire 2.
2B	Red	12 V Battery	Route the end of this wire that comes out with the purple wire 6 from above to your starter solenoid. Cut to length, install terminal C, and plug into connector E (parts found in 510318 kit) as shown on this page. As shown on page 10, Figure D, plug connector E into the connector on the loose piece brown fusible link wire 2J, then attach the ring terminal on this assembly to the battery terminal on your starter solenoid to complete the main power circuit.
2J	Brown	Fusible Link	See the connection instructions under wire 2B and on page 10, figure D.
4B	Brown	Alternator Ign	<b>NOTE: If you are using a one wire alternator, the 4B wire will not be used, so tape it back to the trunk of the harness.</b> This wire is the exciter wire for your Ford alternator / voltage regulator. It DOES NOT have any resistance on it as many of the Ford regulators already have an internal resistor. If the Ford or other alternator / regulator that you are using needs a resistor in-line on the feed wire, you will have to supply it per the specs of that alternator (AAW recommends a GEN 3 Internally Regulated [AAW p/n 500802 available separately] or 1 wire unit).
3A	Pink	Ignition Feed - coil	This is your 12 volt switched power source for the distributor/coil. This can be connected directly to the "bat" terminal on a typical HEI distributor, to a ballast resistor as in a points type distributor, or be used as the ignition power source for an aftermarket ignition module such as an MSD or "Duraspark" module. See the installation instructions for the type of distributor you are using for specific connection requirements. If you are using a GM style HEI distributor, terminal C and connector Q have been provided to make that connection (See page 9, Figure A for some examples)
31	Dark Blue	Oil Pressure Sender	Connect to the oil pressure sender (See page 9, Figure A for some examples).
35	Dark Green	Water Temp Sender	Connect to the temperature sender (See page 9, Figure A for some examples).
39A	Tan	Electric Choke	On carbureted cars, connect to the electric choke terminal.
121	White	Coil - Tach	This can be connected directly to the tach terminal on a typical HEI distributor, to the negative side of the coil, or a tach connection in an aftermarket ignition module such as an MSD module. If you are using a GM style HEI distributor, terminal B and connector R have been provided to make that connection (See page 9, Figure A for some examples).

**Circuit Branch 8 - Underdash Connections**

Wire #	Wire color	Printing
RH Courtesy Connection		
53B	Lt. Blue	12v Ctsy Sw
156B	White	Ctsy Ground

**Procedure**  
Plug in 1 Courtesy lamp extension (as found on page 2 of this instruction set) to complete this circuit.  
Switched 12 volt power for RH underdash courtesy lamp.  
RH underdash courtesy ground.

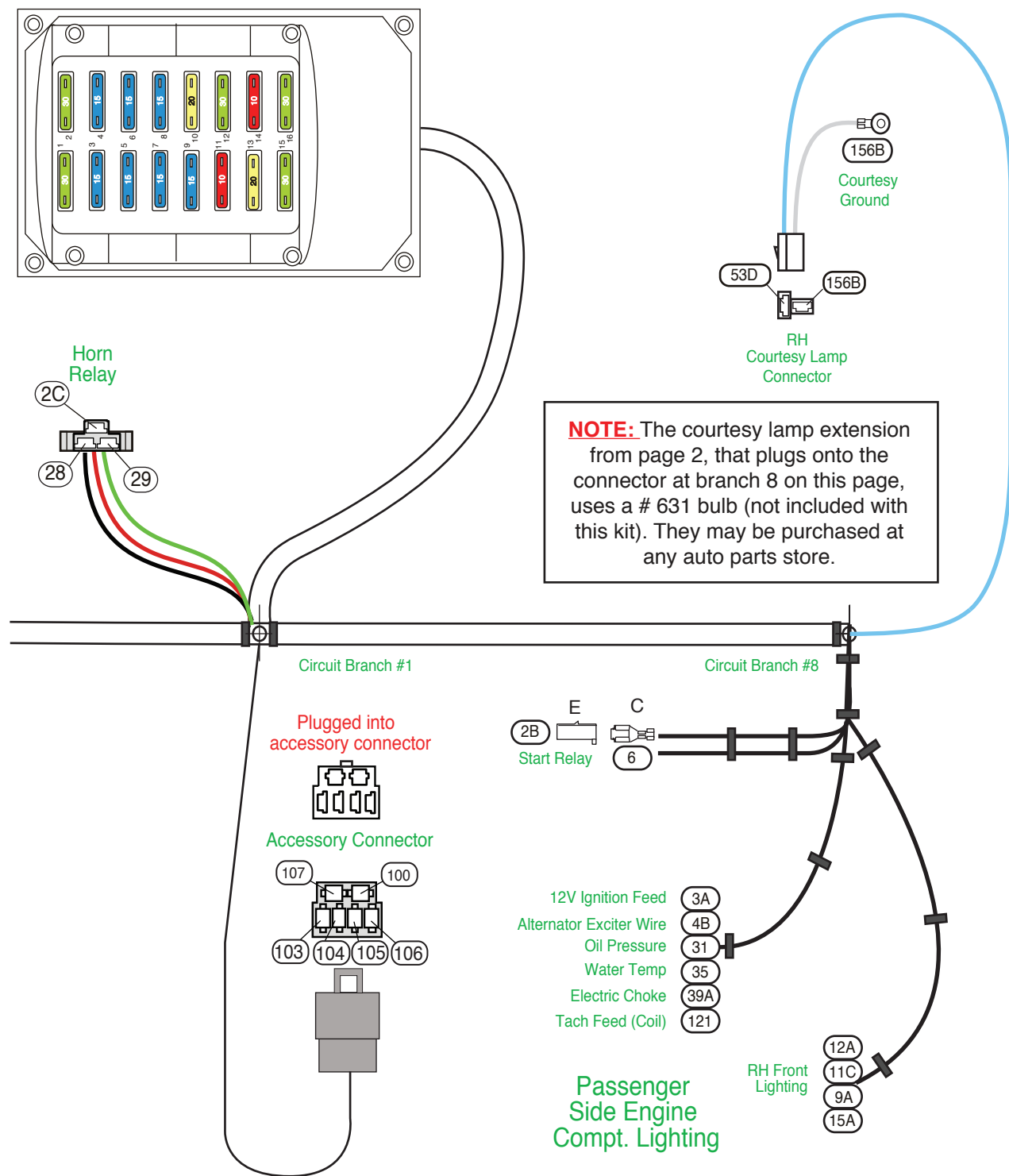
**Circuit Branch 1 - Underdash Connections**

Wire #	Wire color	Printing
Horn Relay		
2C	Red	12v Bat
28	Black	Relay Ground
29	Green	Horn
Accessory Wire Connector		

**Procedure**  
Plug the horn relay (found in the 510145 fuse kit) into this connector.  
12 volt battery feed.  
Relay ground circuit (to steering column).  
Triggered 12 volts to horn.  
Use the provided connector J and terminals as power leads for the following:

Fuse	Rating	Procedure
FUEL	20 amp	Fused 12 volt IGNITION feed for fuel pump (or another fused ignition circuit)
PWRSEATS	30 amp	Fused 12 volt BATTERY feed for power seats (or another fused battery circuit)
PWR LOCKS	15 amp	Fused 12 volt BATTERY feed for power door locks (or another fused battery circuit)
CB	15 amp	Fused 12 volt BATTERY feed for cruise control (or another fused battery circuit)
PWRWDO	30 amp	Fused 12 volt ACCESSORY feed for power windows (or another fused accessory circuit)
BAT SPARE	30 amp	Fused 12 volt BATTERY feed (for any application)

**Fuse installation orientation.**



**NOTE:** The courtesy lamp extension from page 2, that plugs onto the connector at branch 8 on this page, uses a # 631 bulb (not included with this kit). They may be purchased at any auto parts store.



www.americanautowire.com 856-933-0801

PART # **510317**  
 DESCRIPTION:  
**1966-77 Ford Bronco Classic Update Series Kit**  
 92970069 Rev. 3.0 9/27/2013

Main Fuse Panel Installation Instructions

**Circuit Branch 2 - Underdash Connections**

Wire #	Wire color	Printing
Radio/ Clock Connections		
43	Tan	Radio
99	Yellow	Clock Battery
Heat and A/C Feed		
50	Brown	Heater AC Feed
Dash Label Lamps		
8B	Gray	Dash Lights
150 & A	Black	Ground
Ground Lead		
150	Black	Ground

**Procedure**

12v fused accessory feed for radio "on/off" power.  
 12v fused battery feed for radio clock and memory or dash clock assembly.  
 This wire will plug onto your stock heater switch or can be used as the "on/off" power source for aftermarket A/C.  
 12v switched feed for "on/off" power to your stock heater switch or aftermarket heat and A/C.  
 These wires are used to illuminate the Defroster, Heater Fan, and Temperature labels on the dash.  
 Feed out to dash label lamp connections.  
 Chassis ground for dash label lamp connections.  
 Attach this wire to a good known chassis ground. (Note: Do not attach this wire with the 151 wire on page 5)  
 Chassis ground for instrument cluster dash label lamp connections.

**Circuit Branch 3 - Underdash Connections**

Wire #	Wire Color	Printing
Hazard Flasher		
27A,B,C	Brown	Turn Sw Hazard
Ignition Switch		
2D	Red	12v Bat
3B	Pink	Ignition Feed
4A, C	Brown	Ignition Sw Accessory
5	Purple	Neutral Safety Switch
33, 33B	Tan	Brake Light/Switch

**Procedure**

Plug one of the flasher cans (found in the 510145 fuse kit) into this connection.  
 Hazard flasher leads.  
  
 Plug this main connector onto the ignition switch 510128.  
 Battery feed to the ignition switch.  
 Ignition feed to fuse panel and ignition system.  
 Accessory feed to fuse panel and alternator regulator exciter connection.  
 Start feed to neutral safety switch.  
 This connector plugs onto the ground blade on the 510128 ignition switch and is the bulb check ground for the brake warning circuit.  
 This is for the 1967-72 Bronco dash mounted 4 Way Hazard Flasher Warning Switch. If your truck is a 1967-72 unit, plug this connector onto your dash mounted hazard flasher switch assembly. If your truck is a 1966 or a 1973-77, this connector will not be used and can just be left hanging under the dashboard. If your truck is a 1973-77 unit, the hazard flasher switch is mounted in the steering column turn signal switch and will be addressed on page 5 of this instruction sheet. If your truck is a 1966, there was no provision for hazard flashers in that truck.  
 LH output for hazard switch.  
 RH output for hazard switch.  
 Hazard flasher power.  
 12v input/override from brake switch to hazard switch.

**Hazard Flasher Switch**

14B,C	Lt. Blue	Left Front Turn
15B,C	Dk. Blue	Right Front Turn
27C	Brown	Turn Sw Hazard
17B,C	White	Brake Sw

**Brake Warning Lamp**

**NOTE:** Your original dash mounted warning lamp uses a unique socket assembly that must be re-used. You will need to cut the purple and red with yellow stripe wires about 4 inches from the back of the original socket and crimp new terminals B that we have provided for you onto those wires. The finished wires must then be plugged into connector F so that the original red with yellow stripe wire mates with the AAW pink "12V ign" wire and the original purple wire mates to the AAW tan "brake light/switch" wire. The necessary terminals B and connector F to complete this task can be found in the loose piece kit of the 510318 dash kit. Once completed, you will plug this assembly into the mating dash connection at branch 3 of the 510318 dash harness to complete this circuit.

33	Tan	Brake Light/Switch
39D	Pink	12v Ignition

Plug this connection onto your original lighter socket assembly.  
 12v battery feed for the cigarette lighter.

**Dash Label Lamps**

8A, 8B	Gray	
150A, B	Black	Ground

These wires are used to illuminate the Headlamp, Hazard, and Wiper labels on the dash.  
 Feed out to dash label lamp connections.  
 Chassis ground for dash label lamp connections.

**Map Light Switch**

53B, D	Lt. Blue	12v Ctsy Sw
--------	----------	-------------

Plug this connector onto your original map lamp switch assembly.  
 Switched 12 volt power from lighting switch to map lamp assembly.

**Wiper Switch**

93, 93A	White	Wiper Feed
93A	White	Wiper Feed
91	White	(no printing)
92	Dk. Blue	(no printing)
94	Dk. Green	(no printing)
95	Black	(no printing)
96	Red	(no printing)

Plug this connector onto the new 510322 wiper switch assembly.  
 12v fused feed for wiper switch assembly.  
 12v fused feed for washer pump lead. (for 1966, connect to one side of your washer pump push button switch)  
 Switched 12v lead out for wiper low speed.  
 Switched 12v lead out for wiper high speed.  
 Switched 12v lead out for washer pump. (for 1966, connect to one side of your washer pump push button switch)  
 Wiper motor park.  
 Wiper motor low park.

**Circuit Branch 4 - Underdash Connections**

Wire #	Wire Color	Printing
Lighting Switch		
2A	Red	12v Bat
8, 8A	Gray	Dash Lights
9A, B	Brown	Park Lights
10	Yellow	Dimmer Sw Feed
40	Orange	12v Batttery Fused
53A, B	Lt. Blue	12v Ctsy Sw

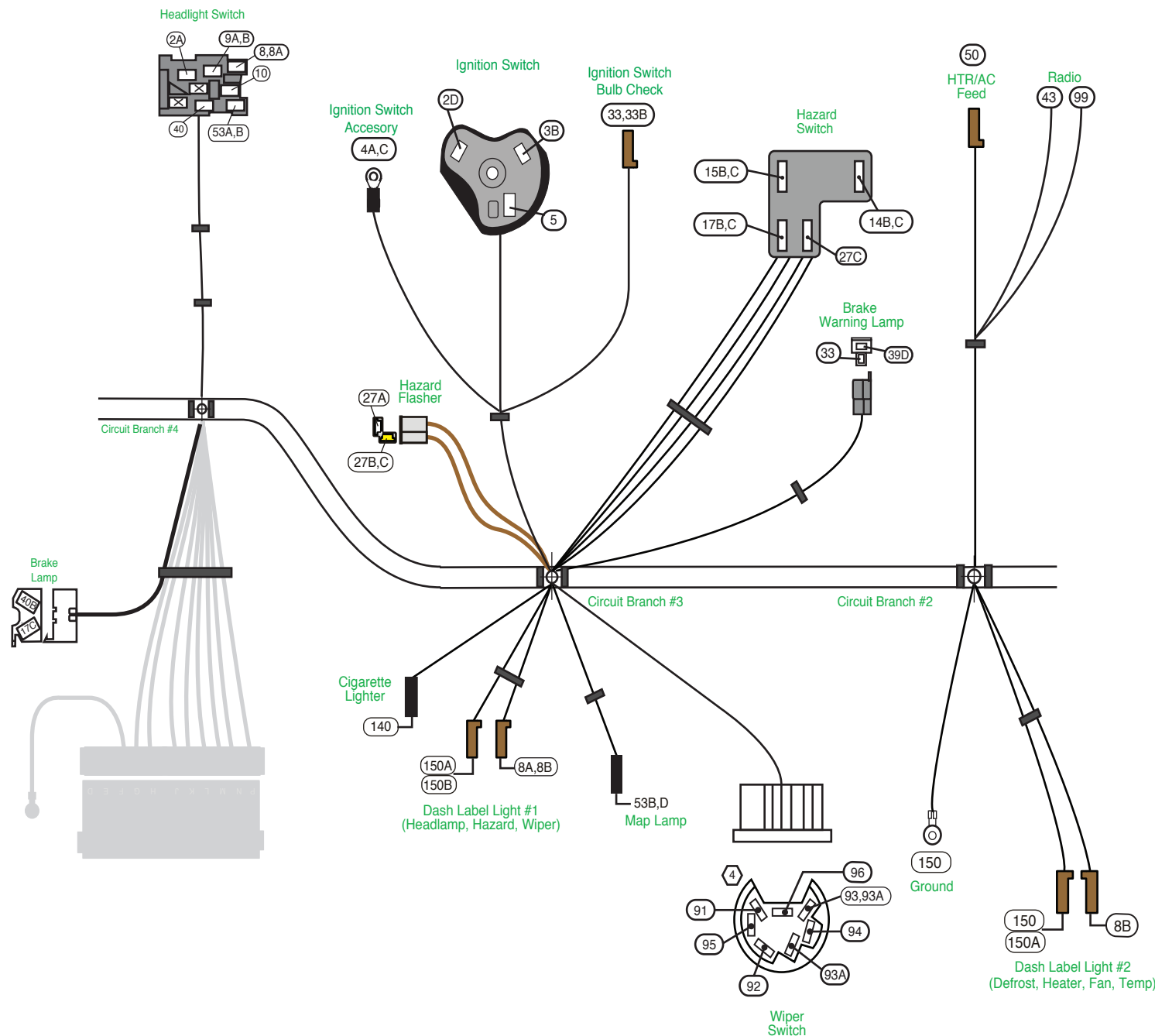
**Procedure**

Plug this connector onto lighting switch 510321.  
 Unfused 12v battery feed to the lighting switch for headlamps, tail lmaps, and dash illumination lamps.  
 Feed out to dash illumination lamps at cluster and dash label lamps.  
 Feed out to RH front parking and rear tail lamps at the rear body connector.  
 Feed to headlight dimmer switch for headlights.  
 Secondary fused 12v battery feed to lighting switch for courtesy and dome lamps.  
 Switched 12 volt power from lighting switch to dome, underdash courtesy lamps, and map lamp feed.

**Brake Switch Connections**

40B	Orange	12v Battery Fused
17C	White	Brake Switch

Plug this on to your stock brake lamp switch (In the event that you own a 1966 Bronco, these two wires will need to be extended out through the firewall to be plugged onto your Brake Switch at the master cylinder)  
 Battery fused 12v feed to the brake switch.  
 12v feed out of the brake switch to the turn signal switch.



www.americanautowire.com 856-933-0801

PART # **510317**  
 DESCRIPTION:  
**1966-77 Ford Bronco  
 Classic Update Series Kit**

92970069 Rev. 3.0 9/27/2013

Procedure

**Circuit Branch 4 - Underdash Connections**

Wire # Wire Color Printing  
Turn Signal Switch Connection

14A, B	Lt. Blue	Left Front Turn
15A, B	Dk. Blue	Right Front Turn
16B	Purple	Turn Switch Feed
17A	Lt. Blue	Third Brake Lt.
17B	White	Brake Sw
18	Yellow	Left Rear Turn
19	Dk. Green	Right Rear Turn
27B	Brown	Turn Sw Hazard
28	Black	Horn Relay Ground
28A	Black	Horn Relay Ground

Procedure

Plug into steering column turn signal connection. If you are using a stock Ford steering column on your vehicle, refer to Diagram 'A' and "Table A - AAW turn signal wires to stock turn signal switch wires" on page 8 for proper mating directions. This kit is designed to function with a GM style turn signal switch. Our connector mates to a 3 7/8 inch long plug used on 1969-1974 GM, IDIDIT, and many other aftermarket steering columns. Starting from 1975 on up, the GM switch changed and began using a 4 1/4 inch connector. That connector is from the same family and uses the same terminals. By using the supplied mating connector (L) and terminals (M) located in the loose piece kit bag of this dash harness (510318), it is easy to adapt any steering column to the kit. The function of the wires are as follows:

LH front turn signal feed out to front light and dash cluster connections.  
RH front turn signal feed out to front light and dash cluster connections.  
Turn signal 12v feed into column from flasher.  
12v feed for third brake light to rear body connector.  
12v input from brake switch to turn switch for rear brake lights.  
LH rear turn signal feed out to rear body connection.  
RH rear turn signal feed out to rear body connection.  
Hazard switch 12v feed into column from flasher.  
Steering column horn ground to horn relay.  
Steering column horn ground to horn relay. **Attach this wire to a good known chassis ground.**

**Circuit Branch 5 - Underdash Connections**

Wire # Wire color Printing  
LH Courtesy Connection  
53A,C Lt. Blue 12v Ctsy Sw  
156A White Ctsy Ground

Procedure

Plug in 1 Courtesy lamp extension (as found on page 2 of this instruction set) to complete this circuit. Switched 12 volt power for LH underdash courtesy lamp and feed to RB harness for dome lamp. LH underdash courtesy ground.

Ground Lead  
151 Black/White Speedo Ground

Attach this wire to a good known chassis ground. (Note: Do not attach this wire with the 150 wire on page 4) Chassis ground for instrument cluster electric speedo connection.

Flasher  
16A, B Purple Turn Switch Feed

Plug the other of the flasher cans (found in the 510145 fuse kit) into this connection. Turn signal flasher leads.

Instrument Cluster Connections

4C	Brown	(no printing)
8	Gray	Dash Lights
11B	Lt. Green	Hi Beam Indicator Light
14C	Lt. B.Lue	Left Turn Ind
15C	Dk. Blue	Right Turn Ind
30	Tan	Gas Gauge
31	Dk. Blue	Oil Pressure
35	Dk. Green	Temp Sender
39B,C	Pink	12v Ign Fused
121	White	Coil Tach
139	Pink/White	Speedo Power
150B	Black	Ground
151	Black	Ground
400	Yellow	VSS Ground
401	Purple	VSS Signal
402	Purple/White	VSS Power

These connections will plug into the Cluster Connection Kit, 510319. Specific connections are addressed in that kit.  
12v accessory feed to the cluster for the constant voltage unit for use with stock gauges.  
Feed out from the lighting switch for dash illumination lamps to cluster connection.  
12v feed to dash cluster for high beam indicator lamp to cluster connection.  
12v feed to dash cluster for left front turn indicator lamp to cluster connection.  
12v feed to dash cluster for right front turn indicator lamp to cluster connection.  
Fuel sender signal from rear body harness or dual tank switch connection to cluster connection.  
Oil pressure signal from engine harness lead to cluster connection.  
Temperature sender signal from engine harness lead to cluster connection.  
Fused 12v Ignition feed to cluster connection for any aftermarket 12v gauges, then on to the back up switch.  
Tach sender signal wire from engine harness lead to the cluster connection.  
Fused 12v Ignition feed for electric speedometer to cluster connection.  
Gauge cluster ground to cluster connection.  
Electric speedometer ground to cluster connection.  
VSS ground from engine harness to cluster connections for electric speedometer.  
VSS signal from engine harness to cluster connections for electric speedometer.  
VSS 12v fused power from cluster connections to engine harness leads for electric speedometer.

Fuel Tank Switch

30	Tan	Gas Gauge
30A	Tan	Gas Gauge
30B	Tan	Gas Gauge
30C	White	Gas Gauge Aux Tank

If your truck has dual fuel tanks, plug the three fuel tank switch connectors onto your selector switch as shown in Figure F at the top of this page, then install the tank selector switch back into your dashboard. This connection will allow you to switch your gas gauge from one tank sending unit to the other and get an accurate reading. If your truck only has a single fuel tank, plug the tan 30B wire with the black connector into the mating black connector on the tan 30A wire. No other connections are necessary.  
Gas gauge feed to the dash cluster connector.  
Gas gauge jumper feed wire from dash cluster connector to main sending unit feed wire in rear body connector.  
Main gas gauge sending unit feed wire to dual tank switch or to tan 30A jumper feed wire from rear body connector.  
Auxiliary gas gauge sending unit feed wire to dual tank switch from rear body connector.

**Circuit Branch 6 - Underdash Connections**

Wire # Wire Color Printing  
Rear Body Connection

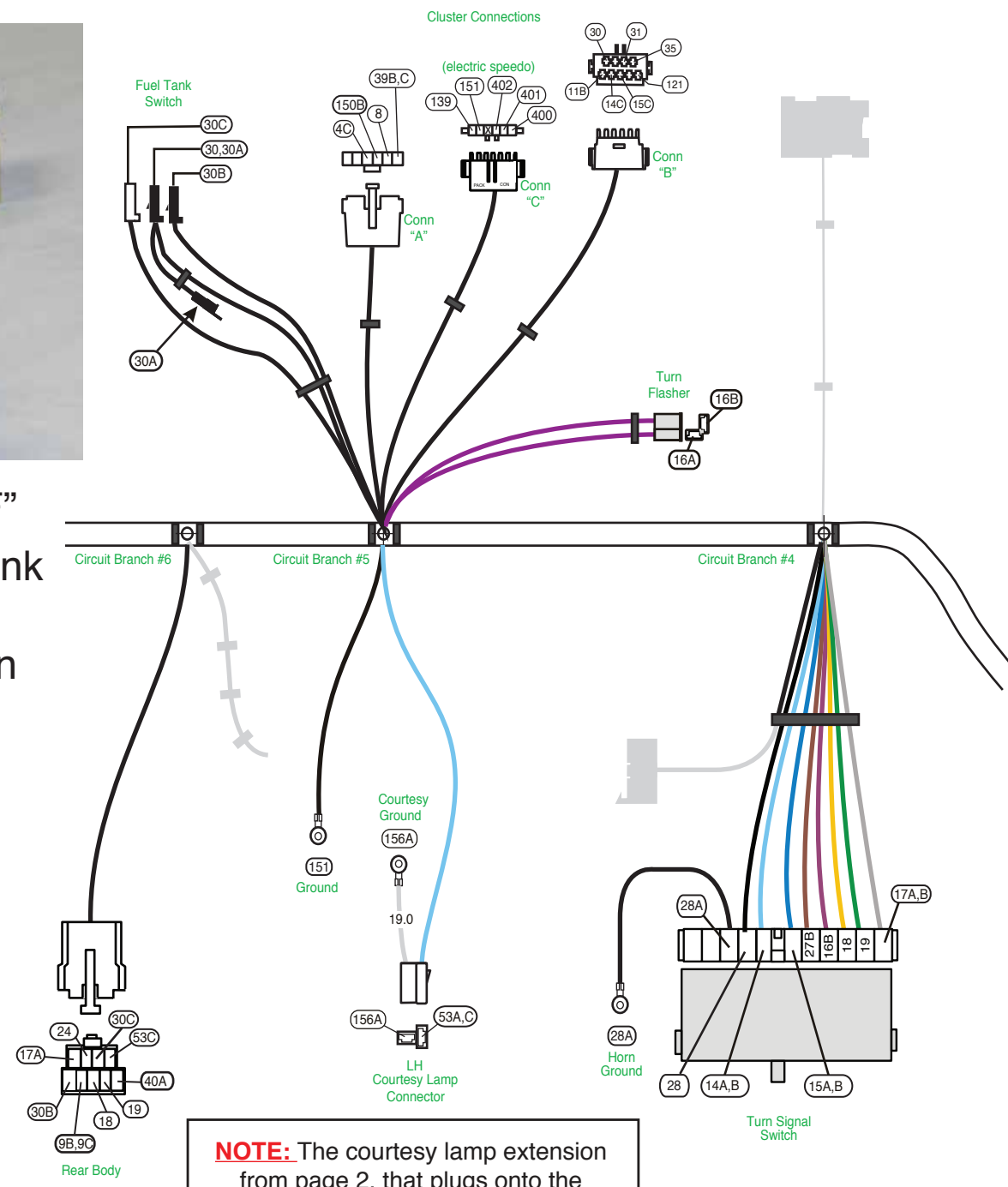
9B,C	Brown	Rear Running Lights
17A	Lt. Blue	Third Brake Light
18	Yellow	Left Rear Turn
19	Dk. Green	Right Rear Turn
24	Lt. Green	Back Up Lt Sw
30B	Tan	Gas Gauge
30C	Tan	Gas Gauge Aux Tank
40A	Orange	12v Battery Fused
53C	Lt. Blue	12v Ctsy Sw

Procedure

This connector will plug into the Rear Body Kit, 510320. Specific connections are addressed in that kit. These wires will pass out to the engine bay through the LH driver's side firewall grommet as seen on page 10, Figure C.  
Feed out from headlight switch for tail and tag lamps and feed out to the LH front parking lamp.  
Feed from the brake lamp switch for optional 3rd brake lamp.  
Feed out to the LH rear stop and turn lamp from the turn signal switch.  
Feed out to the RH rear stop and turn lamp from the turn signal switch.  
Feed out to the back up lamps (if so equipped) from the back up switch.  
Main fuel tank sender signal wire between the rear body and cluster connections.  
Auxiliary fuel tank sender signal wire between the rear body and cluster connections.  
12v battery feed for LED lamps.  
12v switched courtesy feed from the lighting switch for the dome lamp.



Figure "F"  
Dual fuel tank  
switch  
connection



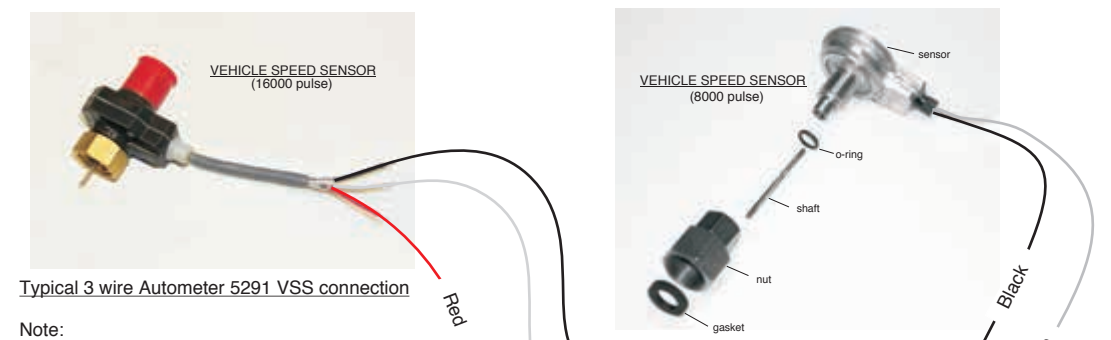
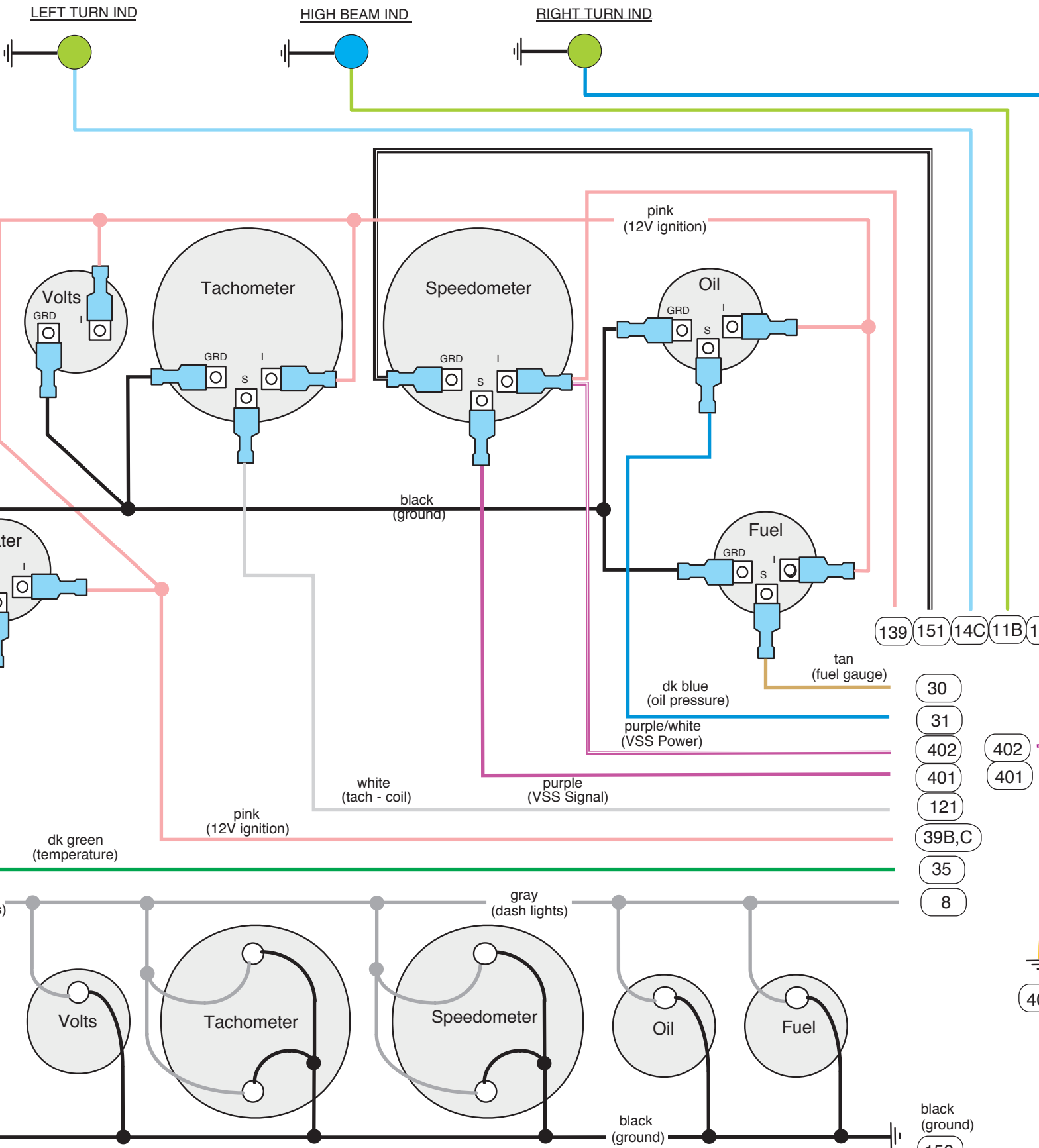
**NOTE:** The courtesy lamp extension from page 2, that plugs onto the connector at branch 5 on this page, uses a # 631 bulb (not included with this kit). They may be purchased at any auto parts store.



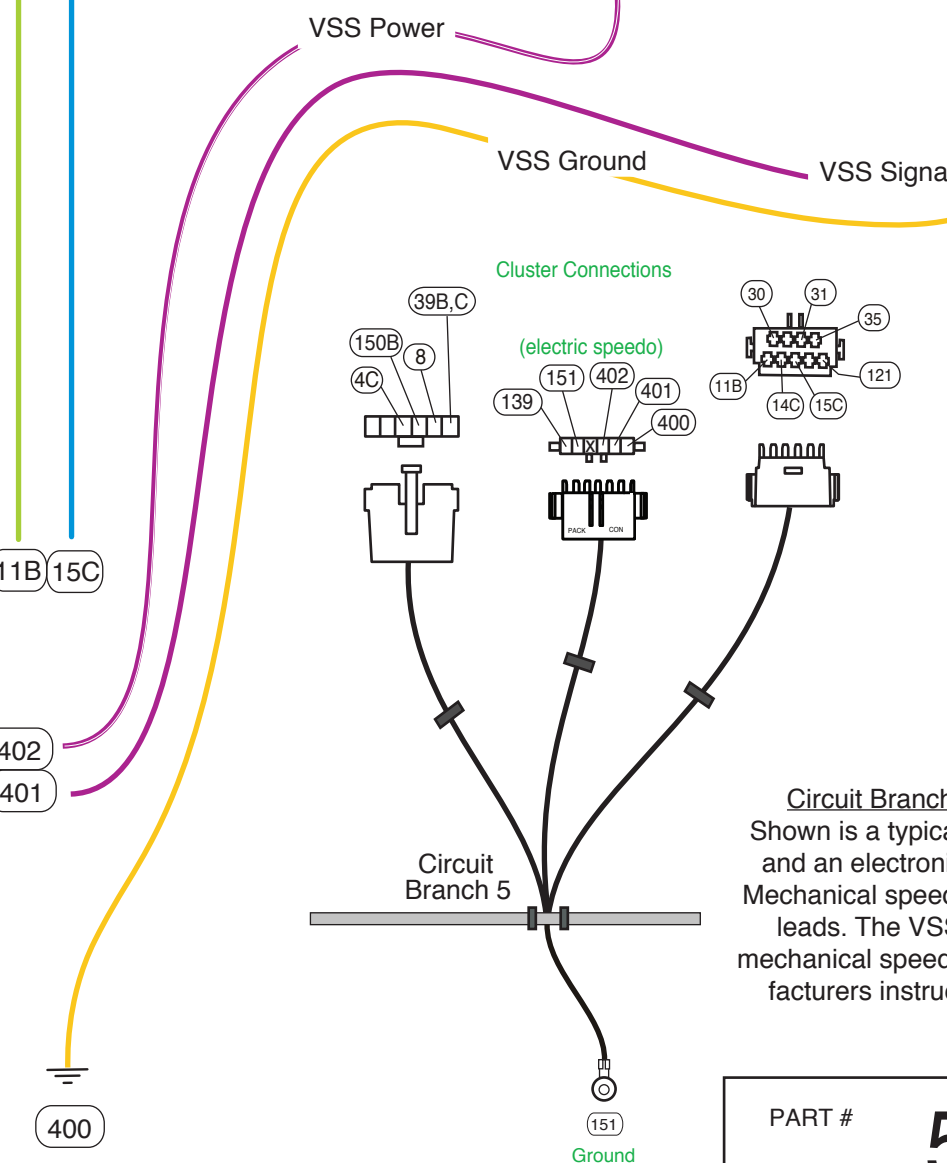
www.americanautowire.com 856-933-0801

PART # **510317**  
DESCRIPTION:  
**1966-77 Ford Bronco  
Classic Update Series Kit**  
92970069 Rev. 3.0 9/27/2013

TYPICAL BLADE TYPE GAUGE CONNECTIONS



Typical 3 wire Autometer 5291 VSS connection  
 Note: This VSS requires a lead wire from the red wire to a 12 volt ignition source. This wire is not included in the kit.



Note: Your VSS Signal and Ground wires have been twisted together from the factory and must remain this way to shield out any outside electrical interference that may create an issue with the proper operation of your electric speedometer.

Circuit Branch 5 - Instrument Cluster Wiring  
 Shown is a typical installation with electric gauges and an electronic speedometer and tachometer. Mechanical speedometers will only require the light leads. The VSS lead wires can be ignored for mechanical speedometers. Always check the manufacturer's instructions for specific requirements.



www.americanautowire.com 856-933-0801

PART # **510317**  
 DESCRIPTION:  
 1966-77 Ford Bronco  
 Classic Update Series Kit

92970069 Rev. 3.0 9/27/2013

**Circuit Branch 6 - Underdash Connections**

Wire # Wire Color Printing  
Wiper Motor Wire Leads

91	White	(no printing)
92	Dk. Blue	(no printing)
95	Black	(no printing)
96	Red	(no printing)

**Procedure**

Route these four wires over to the drivers side windshield frame area, then up through the windshield frame to the wiper motor. Connect these wires to your wiper motor assembly being certain to maintain the color continuity between the new wires on the AAW harness and the original wires (IE: white to white, red to red, etc.) on your wiper motor assembly.  
Switched 12v lead out for wiper low speed.  
Switched 12v lead out for wiper high speed.  
Wiper motor park.  
Wiper motor low park.

**Circuit Branch 7 - Underdash Connections**

Wire # Wire Color Printing  
Dimmer Switch  
10 Yellow Dimmer Switch Feed  
11A,B,C Light Green Headlight Hi Beam  
12, 12A Tan Headlight Low Beam

**Procedure**

Plug this connector onto the new 500042 dimmer switch assembly.  
12v Feed from H/L switch.  
Switched 12v from dimmer to LH and RH high beam lamps, and to the dash cluster connector for the indicator lamp.  
Switched 12v from dimmer to LH and RH low beam lamps.

**Circuit Branch 7 - LH Front Lighting Connections**

See page 10, Figure C for typical connections. For loose piece terminals and connectors, see parts kit # 510323.

**NOTE:** We have provided you with Terminals B and Connector F to assemble onto your existing parking lamps so that you can connect them onto the new AAW wire leads 9C and 14A below coming from the dash/main harness 510318 to complete your LH parking and directional circuits.

Wire # Wire color Printing  
14A Light Blue Left Front Turn

**Procedure**

Route to the left front parking lamp area. This wire should ultimately be mated with the high intensity filament (original green with a white stripe wire) of the LH front parking lamp using terminals J and connector H as shown on page 10, figure C.  
(66-69) Route to the left front parking lamp area. This wire should ultimately be mated with the low intensity filament (original brown wire) of the LH front parking lamp using terminals J and connector H as shown on page 10, figure C.  
(70-77) Route to the left front side marker lamp area cut to length, double with the cutoff portion, install terminal C and plug into connector E. Install 1 sidemarker extension assembly from page 2 through the inner fender area securing the grommet into the pass through hole and plug the extension onto connector E. Attach the black wire on the side marker extension to a good chassis ground. Route the loose end of this brown wire over to the LH parking lamp area and connect to the LH parking lamp. This wire should ultimately be mated with the low intensity filament (original brown wire) of the LH front parking lamp using terminals J and connector H as shown on page 10, figure C.  
Select the light green Headlight Hi Beam wire (11A) and tan Headlight Low Beam wire (12). Route these wires to the LH headlight and using supplied terminals A as found in kit 510323, connect these wires into one of the front headlight extension assemblies (as shown on page 2) found on the dash/main wire kit, 510318. Specific connection and orientation for this process can be found in the diagram on page 10, Figure C.

11A Light Green Headlight-Hi Beam  
12 Tan Headlight-Low Beam

**Circuit Branch 7 - Various Underhood connections**

See page 10, Figures C and E for typical connections. For loose terminals and connectors, see parts kit # 510323.

Wire # Wire color Printing

**Procedure**

**Back Up and Neutral Safety Switch Connections**

On a stock Bronco, the original back up and/or neutral safety switch can be found at the base of the steering column out under the hood of the truck in the engine bay. If your truck has a manual transmission, connect the 5 and 6 wires together to complete the starter circuit. A typical aftermarket connection for your neutral safety and back up switch can be found on page 10, Figure E.  
Switched feed from back up lamp switch to rear body connection.  
12v ignition feed to back up lamp switch.  
12v feed from solenoid post on the ignition switch to neutral safety switch.  
12v starter solenoid feed out from the neutral safety switch to engine connections at branch 8.

24 Lt. Green Back Up Lt Sw  
39C Pink 12v Ign Fused  
5 Purple Neutral Safety Sw  
6 Purple Starter Solenoid

**Electric Speedo Connections**

**(NOTE: Wires 400 and 401 must remain twisted together)**

400 Yellow VSS Ground  
401 Purple VSS Signal  
402 Purple/White VSS Power

Connect to the Vehicle Speed Sensor ground lead (see page 6 for typical connection).  
Connect to the Vehicle Speed Sensor signal lead (see page 6 for typical connection).  
Connect to the Vehicle Speed Sensor power lead if using a 3 wire sender (see page 6 for typical connection).

**Horn Connection**

29 Dark Green Horn

Connect to the horn power terminal. NOTE: If your horn has a separate ground terminal, you must supply the wire for this ground terminal as it is not included in the kit.

**Electric fan Connection**

300 Orange Electric Fan

This is the 12 volt ignition feed to connect to the trigger wire on your electric fan relay (relay not supplied with this kit).

**Windshield Washer Connection**

94 Dark Green (no printing)

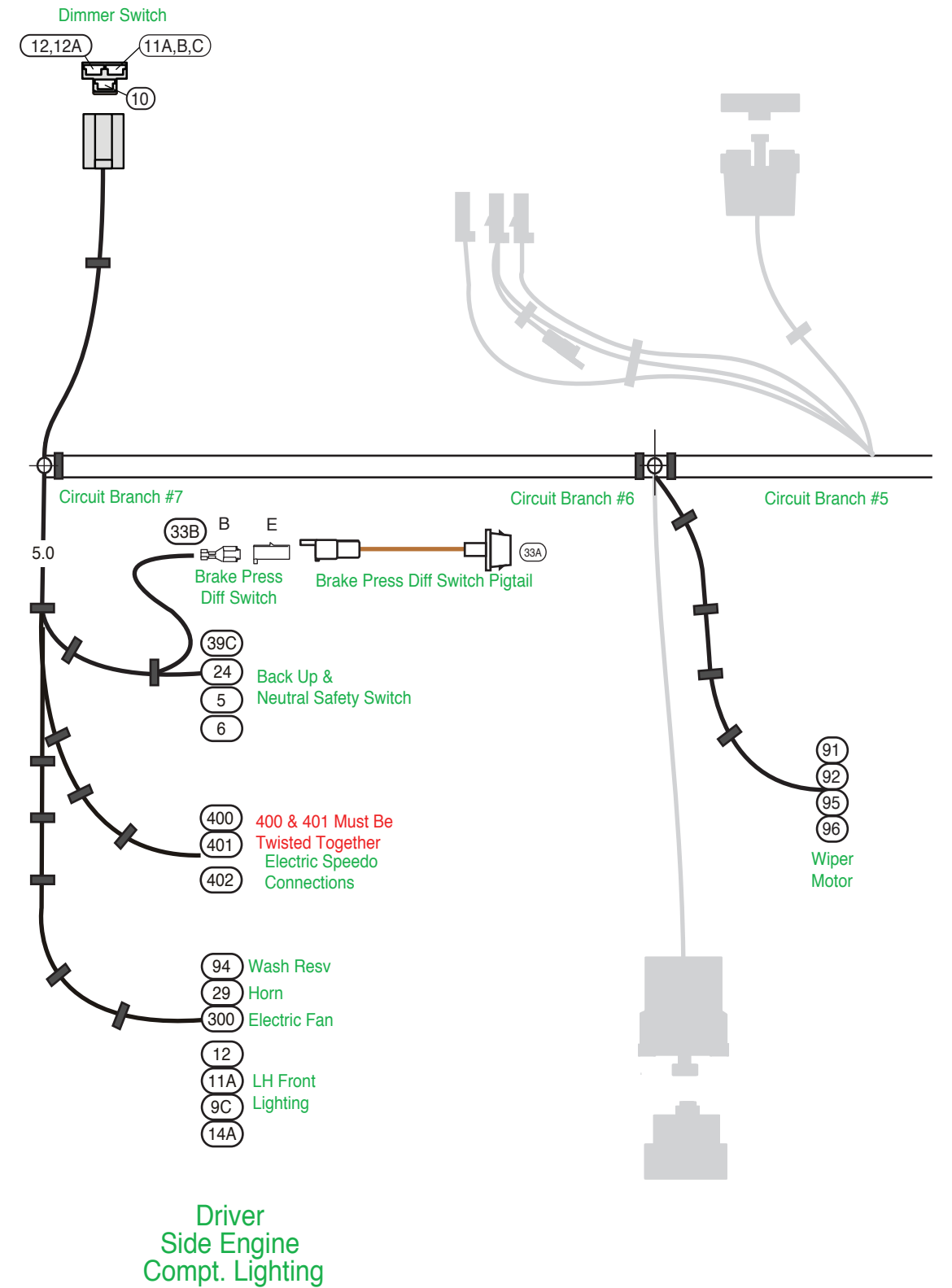
This is the 12v feed from the wiper switch inside the truck out to the washer pump assembly under the hood.

**Brake Pressure Differential Switch**

**(NOTE:)** We have provided you with the connection to a late model brake warning switch in the form of a wire pigtail assembly (wire 33A on page 2 of this instruction sheet). The old original stock Ford twin post switch is no longer available and has been replaced with the newer single post style switch. AAW recommends that you replace the older switch with the new replacement style switch. However, if you have a functioning twin post switch and wish to use it, simply cut the wires about 6 inches back from your old switch connector, double them together, and splice them into wire pigtail assembly 33A (from page 2 of this instruction sheet) to complete your brake warning circuit.

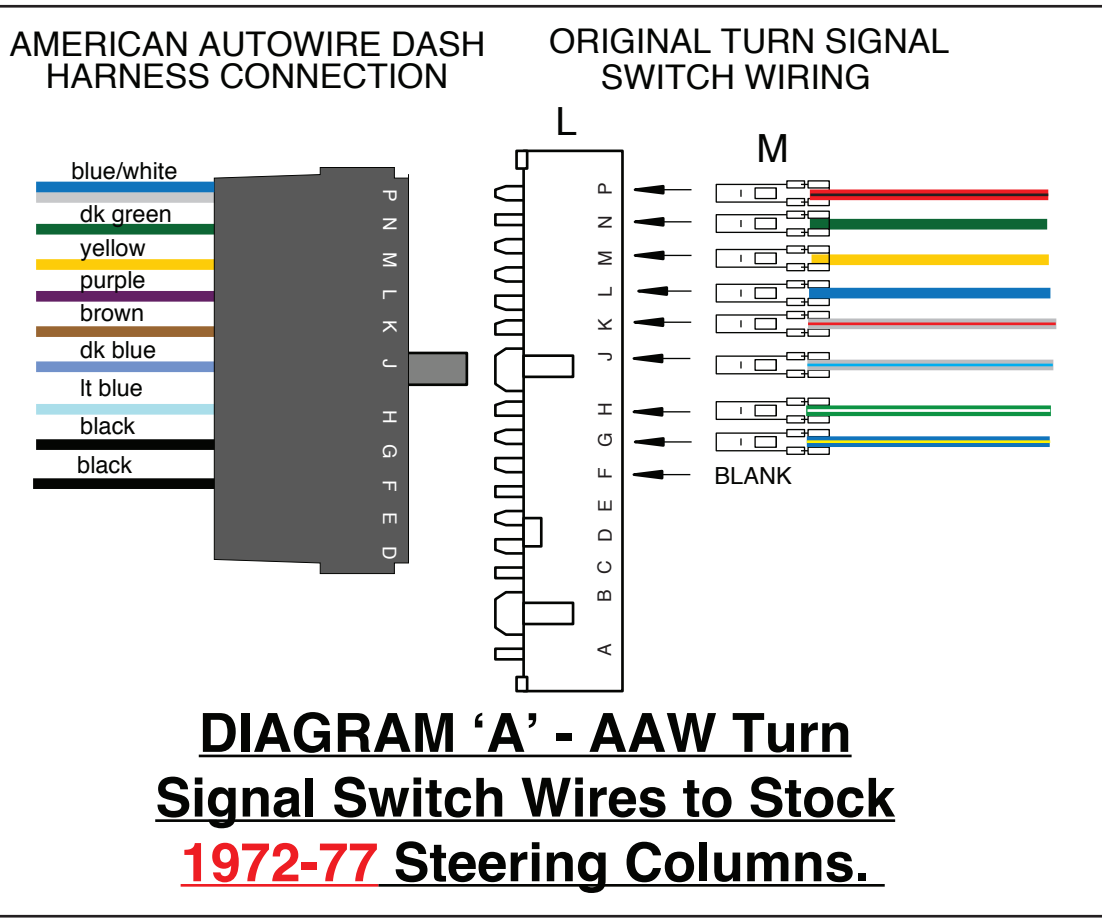
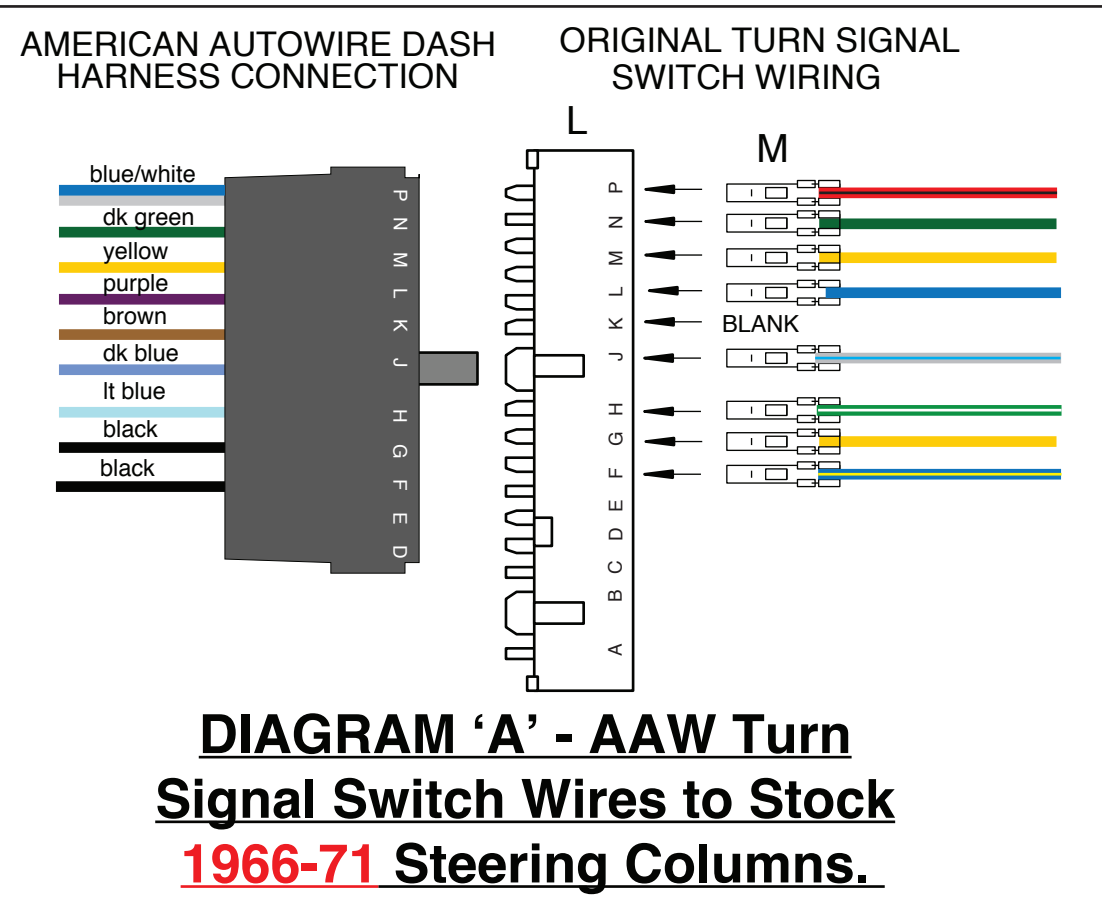
33B Tan Brake Switch

Route this wire to the brake warning switch area near the master cylinder, cut to length, install terminal B, plug into connector E as shown on this page, then plug this wire into wire pigtail assembly 33A (from page 2 of this instruction sheet) to complete your brake warning circuit.



www.americanautowire.com 856-933-0801

PART #	<b>510317</b>
DESCRIPTION:	<b>1966-77 Ford Bronco Classic Update Series Kit</b>
92970069	Rev. 3.0 9/27/2013



**“Table A”**  
AAW Turn Signal Switch wires to stock **1966-71** Ford Bronco turn signal switch.

AAW Wire #	AAW Wire color	AAW Wire Printing	Ford Wire Color
14A,B	Light Blue	Left Front Turn	Green with white stripe.
15A,B	Dark Blue	Right Front Turn	White with blue stripe.
16B	Purple	Turn Switch Feed	Blue.
17A,B	Blue & White	Brake Switch	Red with black stripe.
18	Yellow	Left Rear Turn	Yellow.
19	Dark Green	Right Rear Turn	Dark Green.
27B	Brown	Turn Sw - Hazard	Not applicable.
28	Black	Horn Relay Ground	Yellow.
28A	Black	Horn Relay Ground	Blue with yellow stripe.

**NOTE:** Ford originally switched 12v power to the horns through the steering column horn button during these years. The AAW kit switches ground through the steering column horn button which grounds a horn relay that switches the power to the horns. Circuit 27B is being provided, if an Emergency Warning Flasher System is to be added.

**“Table A”**  
AAW Turn Signal Switch wires to stock **1972-77** Ford Bronco turn signal switch.

AAW Wire #	AAW Wire color	AAW Wire Printing	Ford Wire Color
14A,B	Light Blue	Left Front Turn	Green with white stripe.
15A,B	Dark Blue	Right Front Turn	White with blue stripe.
16B	Purple	Turn Switch Feed	Blue.
17A,B	Blue & White	Brake Switch	Red with black stripe.
18	Yellow	Left Rear Turn	Yellow.
19	Dark Green	Right Rear Turn	Dark Green.
27B	Brown	Turn Sw - Hazard	White with red stripe.
28	Black	Horn Relay Ground	Blue with yellow stripe.
28A	Black	Horn Relay Ground	Not applicable.

**NOTE:** The 1972-77 Bronco steering column did not switch power through the column. The steering column horn button switched ground to a horn relay which switches power to the horns just as your new AAW harness does, therefore the 28A wire is not needed, nor will it be used in this application.



www.americanautowire.com 856-933-0801

PART # **510317**

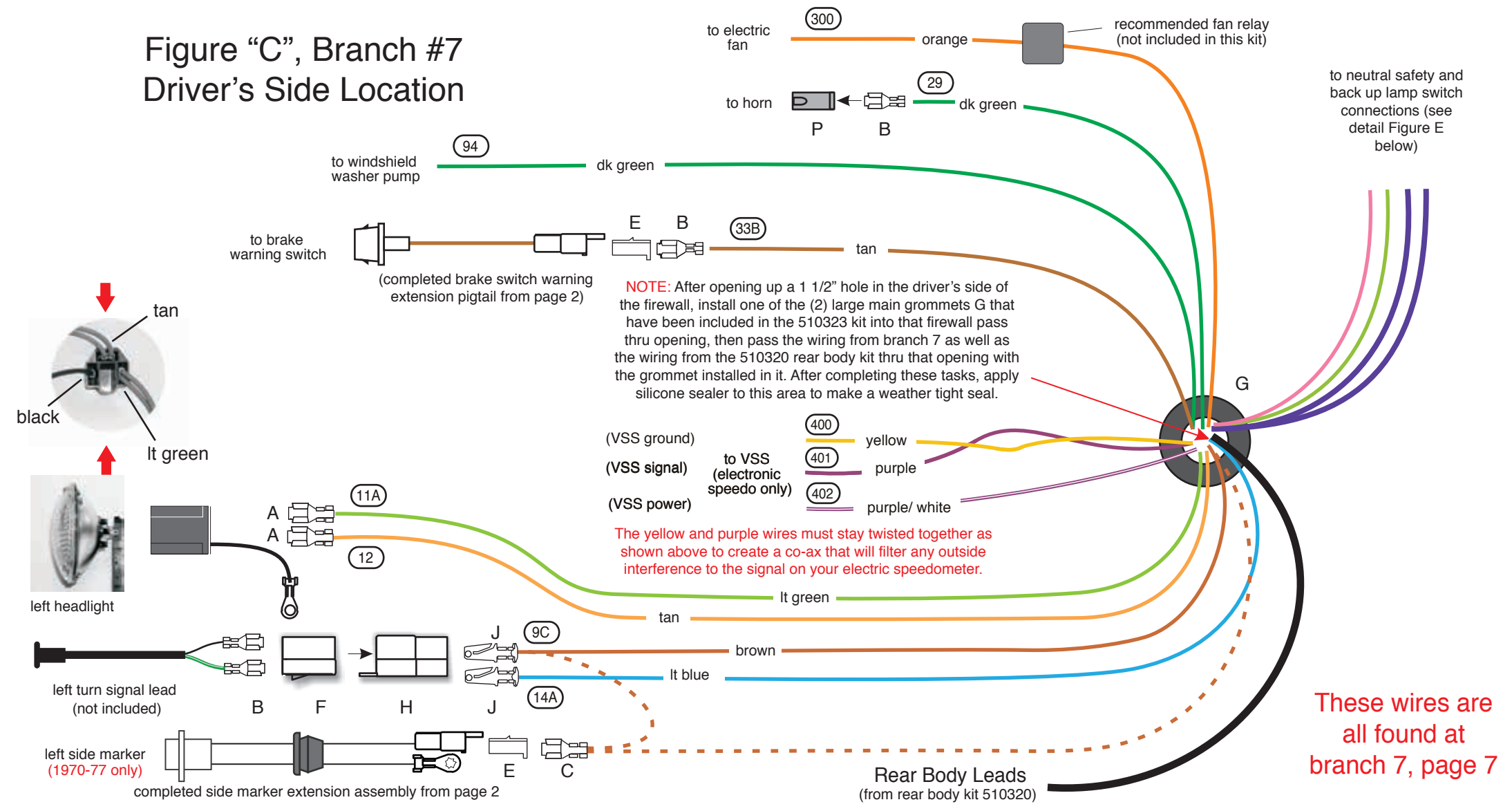
DESCRIPTION:  
1966-77 Ford Bronco Classic Update Series Kit

92970069 Rev. 3.0 9/27/2013





Figure "C", Branch #7  
Driver's Side Location



LH head lamp, LH parking lamp, horn, washer, electric fan relay trigger, brake switch, neutral safety, and back up connections.

**NOTE:** The terminals and connectors listed on this page and denoted with **UPPER CASE LETTERS** to help you complete the various connections to your lamps, horn, brake warning switch, electric fan, back up and neutral safety switch, washer pump, etc. can be found in your loose piece clamp, grommet, and parts kit, P/N 510323. No terminals have been provided for the neutral safety or back up connections.

The identifications, colors, and functions for all of the wires listed in "Figures C, D, and E" on this page can be found on page 7, branch 7, and page 3, branch 8 of this main instruction set (92970069). AAW suggests and recommends using pages 3, 7, and 10 to complete the installation of the forward lamp, horn, brake warning switch, electric fan, neutral safety and back up switch, washer pump, and alternator power connections.

AAW kits are all engineered to be used in conjunction with a high output, later model internally regulated, or one wire alternator. We do not suggest or support the use of a stock low amperage generator or alternator as they do not supply sufficient current to recharge the battery in a highly modified truck such as this kit was designed for. AAW suggests Ford Gen III (AAW p/n 500802), GM "SI", or 1 wire type alternators as good choices to use. Adapters to complete the connection to these style alternators may be purchased separately if needed. Contact AAW for your needs.

Main system power feed and alternator power feed connections.

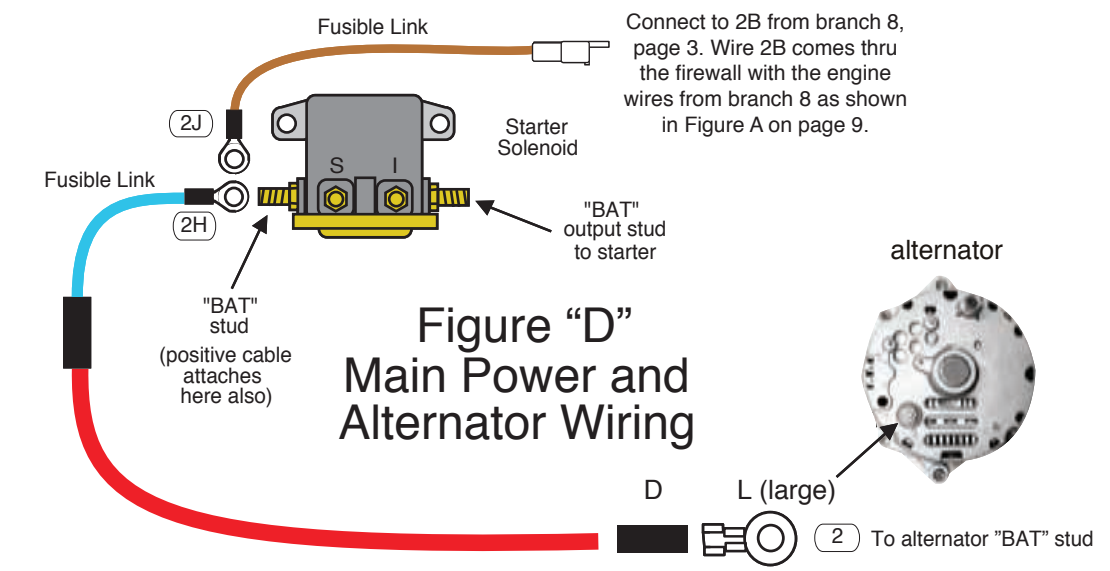
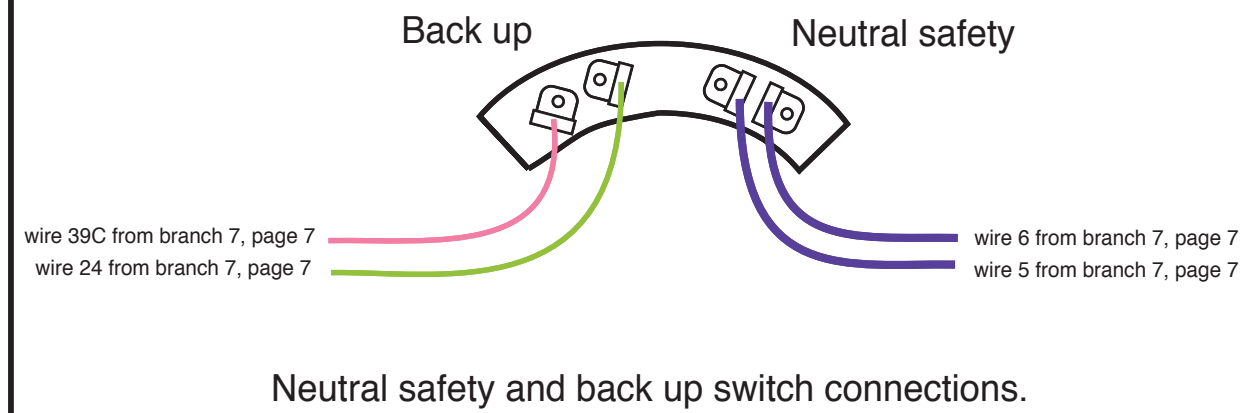


Figure "D"  
Main Power and  
Alternator Wiring

Figure "E"  
Shown is a typical NSS and Back Up Switch.



Neutral safety and back up switch connections.



www.americanautowire.com 856-933-0801

PART # **510317**  
DESCRIPTION:  
**1966-77 Ford Bronco  
Classic Update Series Kit**

92970069 Rev. 3.0 9/27/2013

## FUSEBOX MOUNTING LOCATION ON THE LH INSIDE OF THE GLOVEBOX



NOTE: On this page, you will find a photograph of the completed fusebox and dash harness assembly as it would install in your vehicle. This harness cannot be used with the stock dash speaker as the new AAW fuse panel installs in the same location as the stock radio speaker does. You will need to purchase a new plastic glovebox liner assembly that does not have a stock fusebox hole in it to mount the new AAW harness into your vehicle. A template (92970085) to modify the new glove box assembly has been included with this kit. We have provided 4 attaching nuts for you to affix the fusebox to the inside of the glove box. They can be found in the 510318 loose piece dash kit. With the new fuse panel assembly mounted inside the glovebox liner, the main bundle or trunk of the new AAW dash harness assembly should be heading toward the firewall away from the front of the dashboard assembly.



[www.americanautowire.com](http://www.americanautowire.com) 856-933-0801

PART # **510317**  
DESCRIPTION:  
1966-77 Ford Bronco  
Classic Update Series Kit

92970069 Rev. 3.0 9/27/2013

This page intentionally left blank.



[www.americanautowire.com](http://www.americanautowire.com) 856-933-0801

PART # **510317**  
DESCRIPTION:  
1966-77 Ford Bronco  
Classic Update Series Kit

92970069 Rev. 3.0 9/27/2013