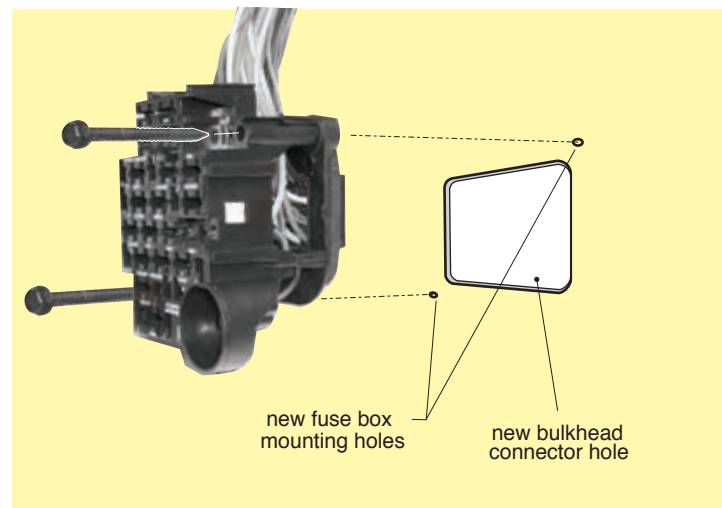


INSTALLING THE FUSE BOX



1. Locate the new bulkhead pass thru hole in the driver side of the firewall (see note 2 on the Fuse Panel Installation Instructions above).
2. Mount the fuse box with the flasher can in the bottom right corner, as shown above.
3. Using the two mounting screws A, attached the fuse panel to the firewall.

Fuse Panel Installation Instructions

Following these simple instructions will guarantee a successful installation of your American Autowire fuse panel harness.

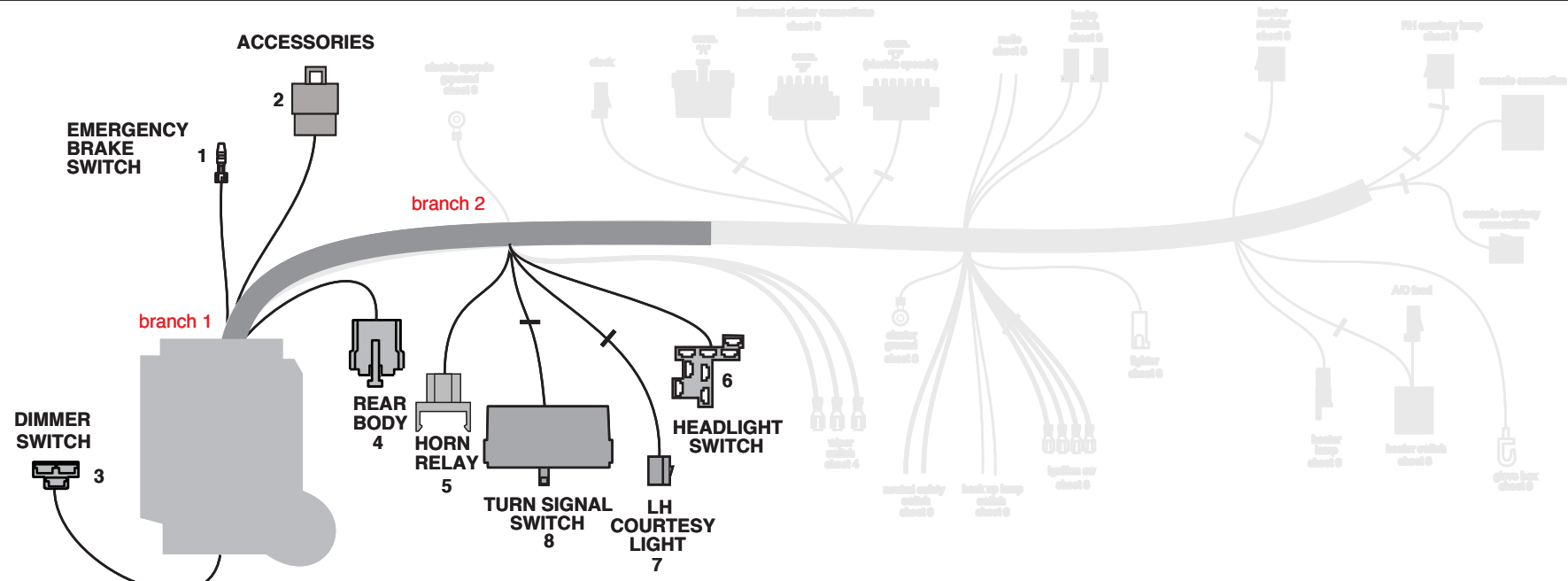
1. Study the diagram above to familiarize yourself with the dash harness.
2. On all 1965-67 models, it is necessary to open up the stock firewall bulkhead opening per template 92970304.
3. Install the fuse box.
4. Route the dash harness using the factory support straps.
5. Make all connections as shown on the following pages of this dash harness kit.
6. Once this harness is installed, continue to bag 'H', and install the rest of the kit (bags H,J,K,L,M).



**American
Autowire**

www.americanautowire.com 856-933-0801





- 1 EMERGENCY BRAKE
- 2 ACCESSORIES
- 3 DIMMER SWITCH
- 4 REAR BODY
- 5 HORN RELAY
- 6 HEADLIGHT SWITCH
- 7 LH COURTESY LAMP
- 8 TURN SIGNAL SWITCH

Tan
Dark Blue
Orange
Red
Pink
Yellow
Tan

Yellow
Light Green
Tan

Tan
Brown
Yellow
Dark Green
Orange
White
Light Green
Light Blue

Red
Black
Dark Green

Red
Orange
Brown
Yellow
Dark Green
White

Orange
White

White
Dark Green
Yellow
Purple
Brown
Dark Blue
Light Blue
Black
Gray

Connect to the emergency brake switch. This is the ground circuit for the brake warning switch lamp.
Switched ground to warning lamp.
Use the provided connector that is plugged into the dash harness along with the loose terminals in the loose piece parts kit to connect power leads for the following:

Fuse	Rating	Description
FUEL	15 amp	Fused 12-volt IGNITION feed for fuel pump (may also be used to feed power to another ignition circuit).
BAT1	20 amp	Fused 12-volt BATTERY feed for power seats (may also be used to feed power to another battery circuit).
BAT2	30 amp	Fused 12-volt BATTERY feed for power door locks (may also be used to feed power to another accessory circuit).
IGN1	20 amp	Fused 12-volt IGNITION feed for cruise control (may also be used to feed power to another ignition circuit).
PWRWDO	30 amp	Fused 12-volt IGNITION feed for power windows (may also be used to feed power to another ignition circuit).
ACCY1	30 amp	Fused 12-volt ACCESSORY feed (may also be used to feed power to an accessory circuit.)

This connector will mate to the floor mounted dimmer switch (500042).
12-volt feed into dimmer switch from H/L switch.
12-volt feed out to high beam H/L.
12-volt feed out to low beam H/L.
This connector will mate with the connector from the Rear Body harness 510365, bag M.
Fuel tank sender lead.
Rear running lamp and tag lamp feed.
LH turn / brake feed.
RH turn / brake feed.
Dome / courtesy lamp feed.
Dome / courtesy lamp ground.
Back up lamp feed.
Third brake light.
Plug the horn relay (found in the fuse, relay, and flasher bag, 500707) into this connector.
12-volt battery for relay.
Relay ground circuit (from steering column).
Triggered 12-volts out to horn.
This connection will plug onto the new headlamp switch, 500332.
Battery 12-volt input lead to switch for headlamps.
Battery fused 12-volt input lead to switch for park / tail output and dash lamp input.
Park/tail lamp output.
12-volt output lead to dimmer switch for headlamps.
Dash lamp output to fuse panel
Dome / Courtesy ground.
Plug this connector into the mating LH courtesy lamp assembly from 500708, bag N.
12-volt battery fused feed.
Courtesy lamp switched ground.

The connector on this harness will mate directly to the 3 7/8" turn signal switch used by GM and many other aftermarket steering column manufacturers. If you are using a stock 1965-66 tilt column and turn signal switch, an adapter has been provided for you. Install terminals M onto each wire from the adapter and plug those terminals into connector L as shown above right in "Diagram A". If you are using any other stock 1965-68 column and turn signal switch, cut the original connector off of your steering column turn signal switch and crimp terminals M onto each of those wires, then plug those terminals into connector L as shown above right in "Diagram B". If you are using an aftermarket column that utilizes the 4 1/4" column connection, removed the terminals from that connector or cut the connector off and crimp terminals M onto the wires from your switch, then plug those terminals into connector L maintaining color continuity with the new switch.

12-volt feed from brake switch.
RH rear stop and turn.
LH rear stop and turn.
12-volt ignition feed from turn signal flasher.
12-volt battery feed from hazard flasher.
RH front turn.
LH front turn.
Horn relay ground to horn switch.
Illumination for column PRNDL shift indicator (1965-67 only).

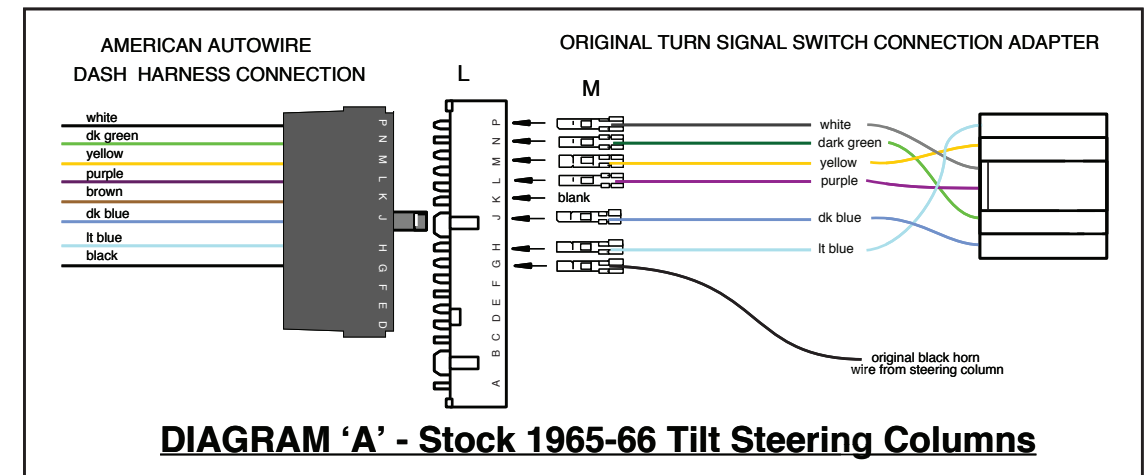


DIAGRAM 'A' - Stock 1965-66 Tilt Steering Columns

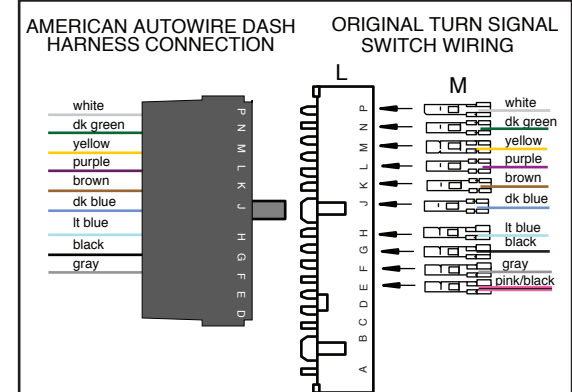
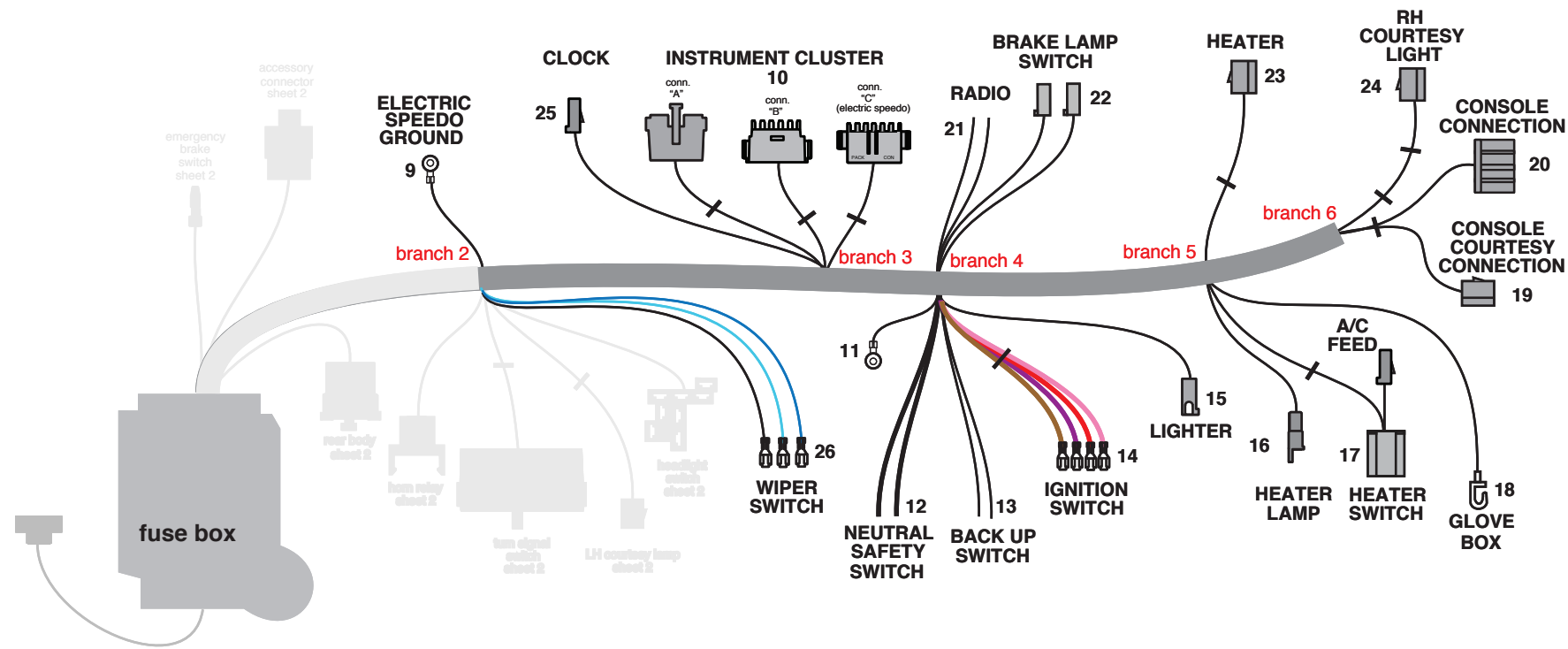


DIAGRAM 'B' - Stock 1965-68 Steering Columns Except 1965-66 With Tilt Column.
NOTE: The brown wire is found on 1967 and 1968 steering columns only! The pink/black wire is found on 1968 columns only and is not used.

American Autowire
www.americanautowire.com 856-933-0801

bag **G**
1965-68 Impala
DASH KIT
510361
92970240 instruction rev 1.0 7/7/2013



NOTE: For your information, there were 4 different windshield wiper and washer configurations that Chevrolet used between 1965 and 1968 on all of the different Fullsize models. This new dash kit, 510361, supplies all of the needed connectors (see the loose piece kit inside the 510361 dash harness kit) to handle any of those applications just as your stock dash harness did (see item 26 below on this page). Detailed photos depicting how those connections get plugged in can be found on sheet 4 of this instruction set. Connections to the various different wiper motors that were used can be found in the 510363 engine harness instruction set on sheets 3 and 4.

- | | | | |
|----|--------------------------------|-----------------------------------|---|
| 9 | ELECTRIC SPEEDO GROUND | | Connect to the dash frame, steering column pedal saddle, or any other good known chassis ground. (DO NOT attach this together with item #11 from above. They may be grounded to the same surface or area, just not under the same screw or bolt).
Electric speedo ground. |
| 10 | INSTRUMENT CLUSTER DISCONNECTS | Black | These connectors will plug into the Instrument Cluster Harness, 510362 (65) or 510373 (66-68), bag H. Circuit identifications for this branch are described on those instruction sheets. |
| 11 | INSTRUMENT CLUSTER GROUND | | Connect to the dash frame, steering column pedal saddle, or any other good known chassis ground. (DO NOT attach this together with item #9 from above. They may be grounded to the same surface or area, just not under the same screw or bolt).
Cluster and dash lamp grounds. |
| 12 | NEUTRAL SAFETY SWITCH | Black | Connect these wires to your neutral safety switch, to the console connection #20 if your car has an automatic console, or together if you are using a manual transmission without an NSS. |
| 13 | BACK UP LAMP SWITCH | Purple
Purple | 12-volt feed in from ignition switch.
Switched 12-volt feed out to starter solenoid. |
| 14 | IGNITION SWITCH | Light Green
Pink | 12-volt feed out to back up lamps.
12-volt ignition feed into back up lamp switch. |
| 15 | LIGHTER | Red | 12-volt battery feed. |
| 16 | HEATER CONTROL LAMP | Pink | 12-volt ignition feed. |
| 17 | HEATER SWITCH | Brown
Purple
Orange
Gray | 12-volt accessory feed.
12-volt starter feed to Neutral Safety Switch.
12-volt fused battery feed to lighter.
Dash lamp feed. |
| 18 | GLOVEBOX LAMP | Brown | Plug this connector onto your stock heater control switch. |
| 19 | CONSOLE COURTESY CONNECTION | Yellow | 12-volt fused switch feed for heat or A/C power (if using aftermarket A/C, use the short pigtail wire as the switched "ON" "OFF" feed wire to the aftermarket A/C harness.). |
| 20 | CONSOLE CONNECTION | Light Blue | To heater resistor. |
| 21 | RADIO | Orange | To heater resistor. |
| 22 | BRAKE LIGHT SWITCH | White
Light Blue | To heater resistor and blower motor.
12-volt fused battery feed for glovebox lamp. |
| 23 | HEATER RESISTOR | | This connector will plug into the console courtesy connection in the Console Extension Harness, 510366. Circuit identifications for this branch are described on those instruction sheets. |
| 24 | RH COURTESY LAMP | | This connector will plug into the main console connection in the Console Extension Harness, 510366. Circuit identifications for this branch are described on those instruction sheets. |
| 25 | CLOCK BATTERY | Orange
White | 12-volt accessory power feed to radio ("ON" and "OFF").
12-volt fused battery feed for clock and memory. |
| 26 | WIPER CONNECTIONS | Yellow | Plug this connector onto your factory stop lamp switch.
12-volt fused battery feed to stop lamp switch.
12-volt out to turn signal switch.
12-volt out to third brake lamp. |
| | WIPER HI SPEED GROUND | Orange | (Used on stock non A/C equipped cars only) Plug this connector onto the stock heater resistor located on the stock heater box inside the car under the dash. |
| | WIPER LO SPEED GROUND | White | Plug this connector into the mating RH courtesy lamp assembly from 500708, bag N. |
| | WIPER - WASHER GROUND | Light Blue
Black
Dark Blue | 12-volt battery fused feed.
Courtesy lamp switched ground.
Fused 12-volt battery feed for dash mounted clock.
There are several wiper switch configurations that were used between 1965 and 1968. See sheet 4 for detailed photos depicting the proper connections for the 65 thru 68 applications. Any connectors necessary to complete your particular application can be found in the loose piece kit bag contained in this dash harness, 500361. |
| | | Light Blue | Ground for wiper motor high speed. |
| | | Black | Ground for wiper motor low speed. |
| | | Dark Blue | Ground for washer pump solenoid. |



www.americanautowire.com 856-933-0801



NOTE: On this page, you will find detailed photos depicting how to plug in your ignition switch and wiper switch connector(s). They differ from application to application, and year to year, so please pay close attention, and be sure that you are choosing the proper application for your car.

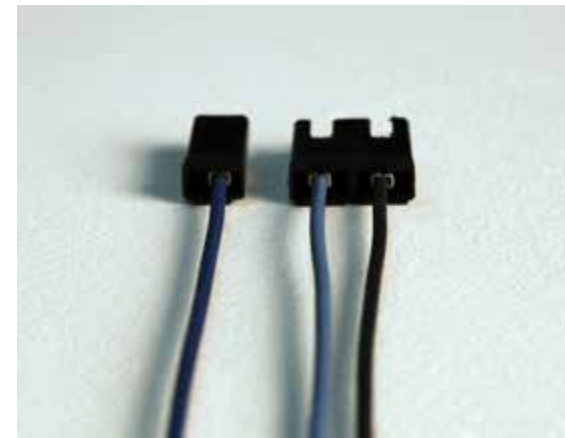
WINDSHIELD WIPER AND WASHER ASSEMBLY PLUG-INS AND APPLICATIONS



1965 Single Speed without Washer



1965 Single Speed with Washer

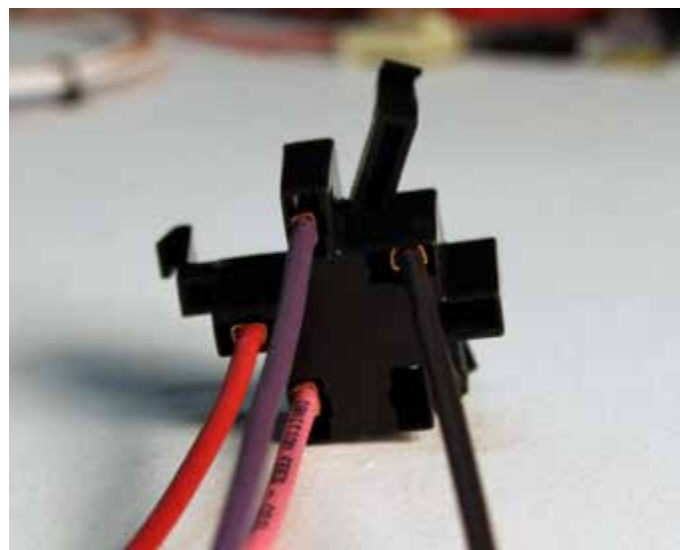


1965-66 Two Speed with Washer

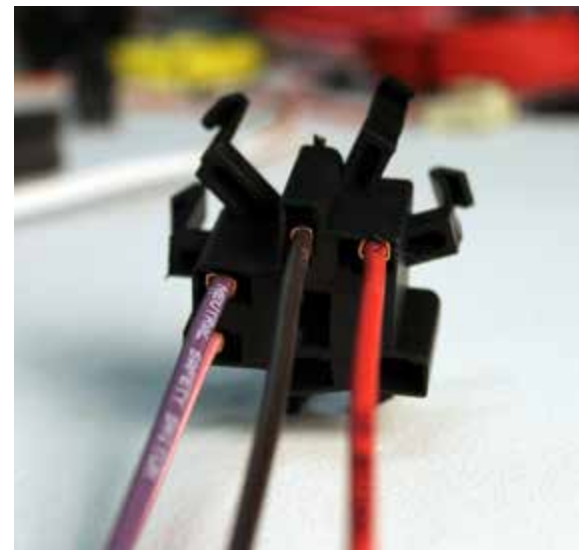


1967-68 Two Speed with Washer

IGNITION SWITCH ASSEMBLY PLUG-INS AND APPLICATIONS



1965-67 Ignition Switch



1968 Ignition Switch
(Must re-use your original ignition switch)



www.americanautowire.com 856-933-0801

