

Classic Update Series

— 62-65 Ford Fairlane and 62-63 Mercury Meteor —

START HERE !

PLEASE READ THIS BEFORE STARTING INSTALLATION !

This wiring kit is designed for ease of installation. Please read the guidelines below, BEFORE STARTING your installation to guarantee a successful job. Use an appropriate crimping tool which folds the wings of the open barrel terminals down into the wire as shown below. ALL TERMINALS THAT YOU INSTALL SHOULD BE PROPERLY SOLDERED. Our factory crimped terminations are installed by GM approved five ton presses, and soldering these terminations is not necessary. AAW offers a great terminal crimping video entitled Proper Crimping Video . It can be viewed by visting YouTube. Type the following address into your web browser to go directly to the video: www.youtube.com/watch?v=8u_EkMsioMy.



PLEASE READ THESE HELPFUL INSTALLATION TIPS BEFORE GOING ANY FURTHER!

Prior to installing the Dash/Main harness in your vehicle, plug all of the fuses (see a detailed picture, on page 14, of the fuse installation locations) and Horn Relay (see page 6), into this harness.

AS THIS HARNESS IS DESIGNED FOR USE IN A MODIFIED VEHICLE REQUIRING A HIGHER RATE OF CHARGE, IT DOES NOT SUPPORT THE USE OF A STOCK (ORIGINAL) ALTERNATOR. IT IS DESIGNED FOR USE WITH AN INTERNALLY REGULATED GM SI STYLE OR SINGLE WIRE STYLE ALTERNATOR. ADAPTERS (WHICH ARE NOT INCLUDED WITH THIS KIT) THAT ARE AVAILABLE FROM SEVERAL SOURCES WILL BE NECESSARY TO USE ANY ALTERNATOR OTHER THAN A GM SI STYLE OR SINGLE WIRE STYLE UNIT.

STEP 1: DISCONNECT YOUR BATTERY:

Disconnect the battery before installing the wiring kit to prevent any accidental shorting caused by loose bare wire ends.

STEP 2: START INSTALLING KIT (see page 3):

This kit is broken down into individual steps that are identified by a letter printed on the instruction sheets visible through each bag. These letters are the order of operation for installing your kit. Start with bag letter G, then H, etc. The order of installation is shown below. You will use this main instruction sheet, 92970710, to complete the installation process of bag G. See page three of this instruction set and Fuse Block Mounting instruction sheet 92970725 to begin.

G - 510554 Dash Harness Kit
H - 510555 Gauge Cluster Kit
M - 510556 Rear Body Kit
N - 510394 Headlight Harness Kit

STEP 3: RECONNECT YOUR BATTERY:

When you have completed the installation and are ready to reconnect the battery, make sure that the following electrical system grounds are in place:

- Battery is grounded to the ENGINE BLOCK.
- Battery is grounded to the frame.
- Engine block is grounded to the frame.
- Body is grounded to the frame.

STEP 4: CHECK ALL ELECTRICAL FUNCTIONS:

Any non-functioning items should be checked for proper installation. Any problems with your wiring and electrical circuit functions should be addressed to American Autowire Systems, Inc. as soon as possible to avoid any warranty problems.

If you have any questions concerning this or any of our products, please feel free to call us at 1-856-933-0801.

AMERICAN AUTOWIRE MAKES IT EASY !!

We carry many accessories for your 62-65 Ford Fairlane and 62-63 Mercury Meteor

p/n 510585
OEM small terminal crimping
tool (18-14 gauge)



p/n 510586
OEM large terminal crimping
tool (12-8 gauge)



p/n 500918
Ford Duraspark Ignition Harness



p/n 500802
GM SI series to Ford 3G int.
regulated alternator



www.americanautowire.com 856-933-0801

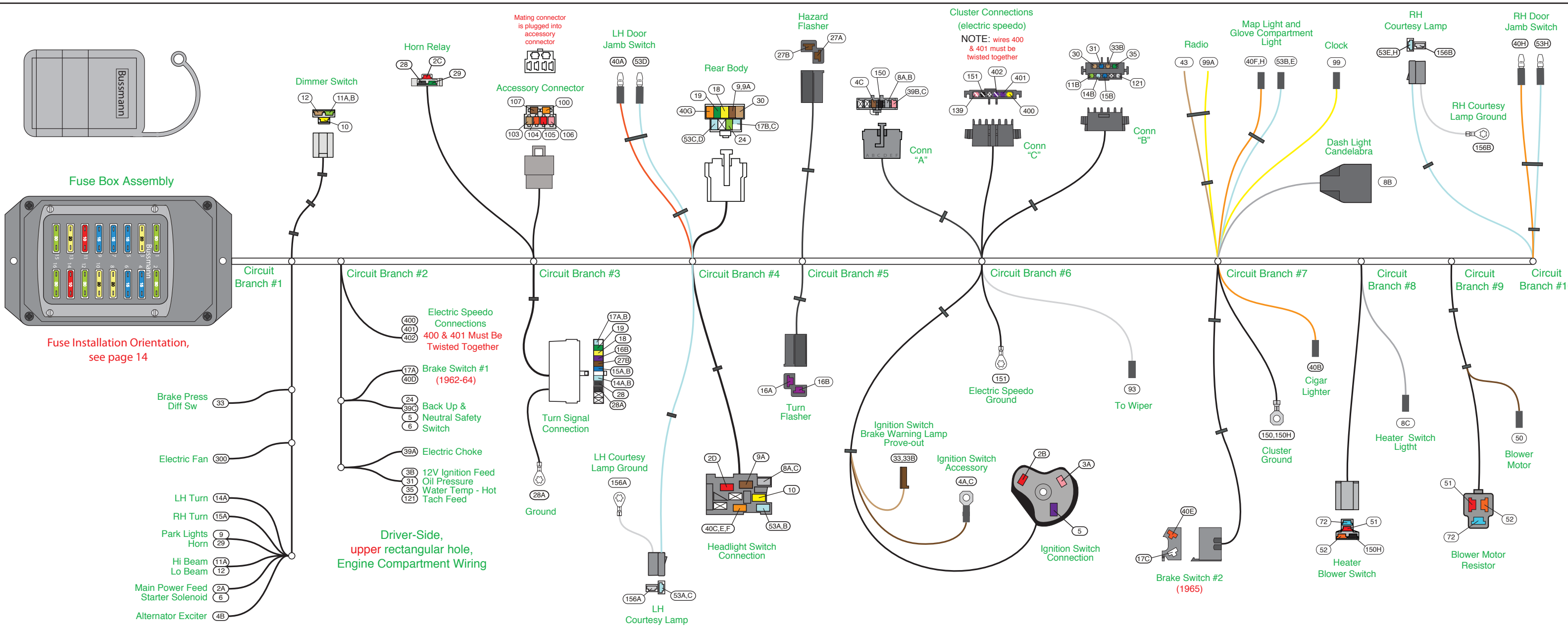
Classic Update Series

1962-65 Ford Fairlane
1962-63 Mercury Meteor

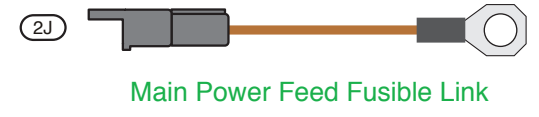
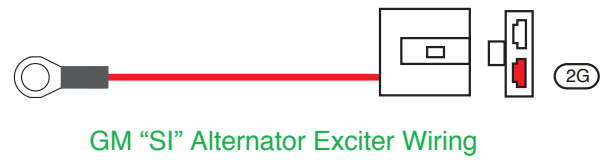
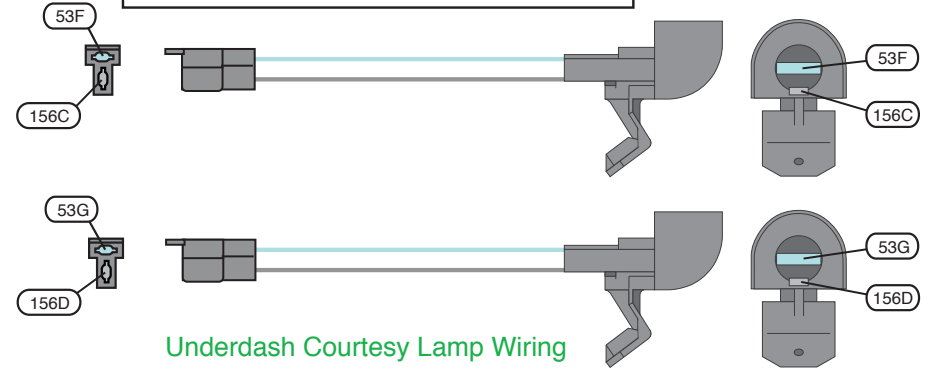
510553

© COPYRIGHT 2004 American Autowire / Factory-Fit
Used with express permission of
American Autowire / Factory-Fit

92970710 Rev. 3.0 6/13/2017



NOTE: Your new underdash courtesy lamp extensions use # 631 bulbs (not included with this kit). They may be purchased at any auto parts store.



PART # **510553**
 DESCRIPTION:
 1962-65 Ford Fairlane
 1962-63 Mercury Meteor
 Classic Update Series Kit
 92970710 Rev. 3.0 6/13/2017

Prior to installing the Main Dash Harness, obtain the **Fuse and Flasher Kit 510557**. Plug all of the Fuses in the Fuse Block (see [page 14](#) for the location of the fuses). Install the Horn Relay to the Dash Harness **510554** (see [Circuit Branch #3, page 6](#) for the Horn Relay location).

Main Dash Harness Installation Instructions

NOTE: Before installing the Dash Harness **510554**, you will have to reuse and install your existing factory Wiper System Wiring and Connectors. We provide a 12V feed wire with a female bullet connector on the Dash Harness to connect to the factory Wiper wires. You will have to install the **Windshield Wiper Jumper Harness** (see [page 2](#)) included in **Bag G** for the **1962-1963** vehicles with a 1-speed Wiper. For all others, you will not need the Windshield Wiper Jumper Harness, but you will add a 1-way male bullet connector to your factory Wiper wiring and it will connect directly to the Dash Harness (see [page 14, for an example](#)).

Remove the original Wiper System Wires from your factory Instrument Panel Harness, use caution not to damage any wires or connectors. If you have a **1962-1963** vehicle with a **1-speed Wiper System**, cut the red and blue wires (**1962**) or two blue wires (**1963**) at the Wiper System Circuit Breaker (you will not need the Circuit Breaker), slide on sleeve **J** to each wire, and crimp on a terminal **H** to each of these two wires. Now plug these two wires to the **Windshield Wiper Jumper Harness**. For the (**1962- 1963**) vehicles with a **2-speed Wiper System**, and all (**1964-1965**) vehicles, the Circuit Breaker is internal to the Wiper Switch so you will just cut the 12V feed wire (orange with a white stripe) about four inches from the Wiper Switch, slide on sleeve **J** and crimp on terminal **H** to this wire. This new male bullet connector will eventually plug into the mating Wiper female bullet connector on the Dash Harness **510554**.

Now route the original factory Wiper wires to the Wiper Motor (see the [Fuse Block Mounting Instructions 92970725](#)) for the routing of the wires through the Firewall. Begin installing the Main Dash Harness **510554** and the Fuse Block (see the same [Fuse Block Mounting Instructions 92970725](#)). You may wish to remove the zip ties from the Engine Compartment Wiring when routing the wiring through the grommets.

Install two **S** clamps, found in the **510558** Parts Kit, to the Steering Column Support Bracket (see “**S** clamp location photograph”, on this page). Use the Bolt, Nut and Washer (item **R**) from the **510558** Parts Kit. The Dash Harness routing will be the same as the original Instrument Panel Harness routing. Continue routing the Dash Harness. Now proceed to Circuit Branch 1 instructions.

Circuit Branch 1 – Under Dash Connections

Dimmer Switch Route this wiring branch to the Dimmer Switch and connect. Plug this connector onto the Dimmer Switch **500042**, and then attach the Dimmer Switch to the floor pan.

Wire #	Wire Color	Printing	Description
10	Yellow	DIMMER SW FEED	Feed from the Headlight Switch.
11A	Light Green	HEADLIGHT-HI BEAM	Feed to the LH Headlight-High Beam
11B	Light Green	HI BEAM INDICATOR LIGHT	Feed to the Hi Beam Indicator Light in the Cluster.
12	Tan	HEADLIGHT-LOW BEAM	Feed to the LH Headlight-Low Beam.

Circuit Branch 1 – Engine Compartment Connections

Wire #	Wire Color	Printing	Description
--------	------------	----------	-------------

NOTE: If you choose to upgrade your single reservoir Brake System to an upgraded dual reservoir Brake System, we have provided the circuits in the Dash Harness for a Brake Warning Light (Dash lamp and switch/switch connection not provided in kit).

The Brake Pressure Differential Warning Switch **NOTE:** if you have a Ford style twin post switch and wish to use it, simply cut the wires about 6 inches back from your old original connector, double them together, and splice them into wire assembly 33 (from page 3 of this instruction sheet) to complete your brake warning circuit. If you have an aftermarket single post switch, splice it into wire assembly 33 (from page 3 of this instruction sheet) to complete your brake warning circuit (also see Figure A on page 12).

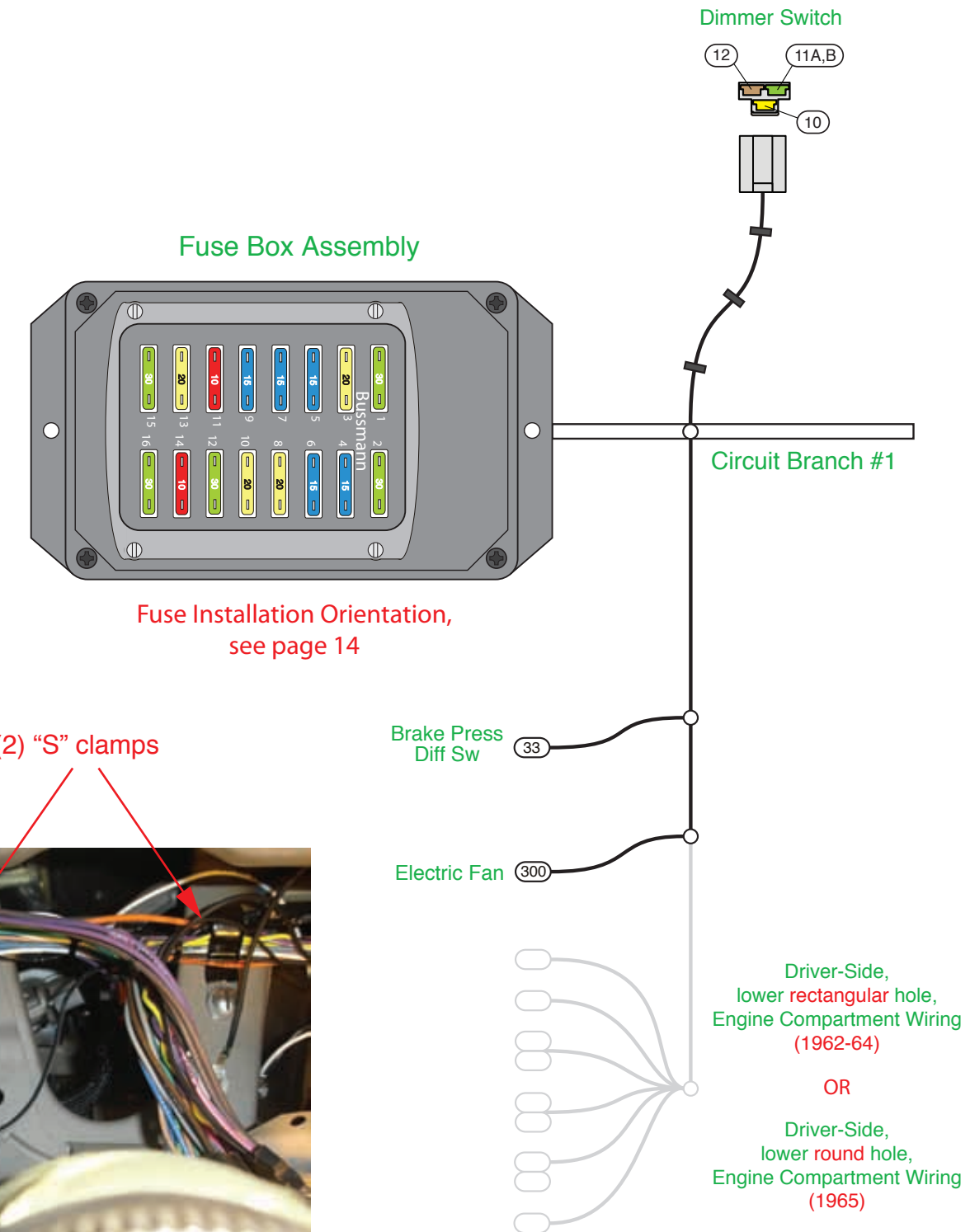
Wire #	Wire Color	Printing	Description
--------	------------	----------	-------------

Route wire 33B from the Dash Harness to the master cylinder area, cut to length, and splice it to the Brake Pressure Differential Warning Switch Extension (if needed).

33	Tan	BRAKE LIGHT/SWITCH	Brake Warning feed.
----	-----	--------------------	---------------------

Aftermarket Electric Fan This circuit is provided to feed the trigger wire of your Electric Fan Relay (not provided with this kit). See the Electric Fan Manufacturers recommendations for electrical hook up. **NOTE: This is a keyed hot feed.**

Wire #	Wire Color	Printing	Description
300	Orange	ELECTRIC FAN	12V Ignition feed to the trigger wire of the Electric Fan Relay.



Fuse Installation Orientation, see page 14

(2) "S" clamps



"S" clamp location photograph



www.americanautowire.com 856-933-0801

PART #	510553
DESCRIPTION:	1962-65 Ford Fairlane 1962-63 Mercury Meteor Classic Update Series Kit
92970710	Rev. 3.0 6/13/2017

Park/Turn Signal - Lamp & Socket Assemblies NOTE: You will need to reuse the original Front Park/Turn Signal Lamp & Socket Assemblies, but will have to replace each 2-way bullet connector with a 2-way AAW connector (see figure A on page 12). Be sure that the Park/Turn Signal Lamp pigtail is routed and retained, per the original factory routing, before replacing the connectors. For both LH and RH Park/Turn Lamp & Socket Assemblies, remove the old 2-way molded bullet connectors, and install terminals **W** to each wire and install the wires in the 2-way connector **V** (all supplied in kit 510558) as shown in figure A on Page 12. The original Ford Left Front Turn wire is green/white and the Park Light wire is black/yellow. The original Ford Right Front Turn wire is white/blue and the Park Light wire is black/yellow.

Left Hand & Right Hand Park/Turn Lamp Connectors Select the brown Park Light wire (9), route the wire close to the 2-way connector **V** that was just added to the LH Park/Turn Signal Lamp & Socket Assembly, cut to length, take the cut off portion, double them together in terminal **C** and install into connector **T** (see page 12 Figure A). Be sure to align the AAW brown Park Light wire with the original Park Light wire. Route the remaining brown wire close to the 2-way connector that was just added to the RH Park/Turn Signal Lamp & Socket Assembly. Crimp on terminal **B**, and install into another connector **T**.

Select the light blue Left Front Turn wire (14A), route this wire to the same connector **T** where wire 9 is located. Crimp on terminal **B** and install in that connector **T** (see page 12 Figure A). Now make the connection to the LH Park/Turn Lamp & Socket Assembly.

Select the Right Front Turn wire (15A) and route it to the 2-way connector **V** that was added to the RH Park/Turn Signal Lamp & Socket Assembly. Cut to length, crimp on terminal **B** and install into connector **T** (see page 12 Figure A) where the brown park light wire is already located. Now make the connection to the RH Park/Turn Lamp & Socket Assembly. Be sure to align the AAW Park Light wire (brown) with the Ford Park Light wire (black/yellow), the AAW Left Turn wire (Lt Blue) with the Ford Left Turn wire (green/white), and the AAW Right Turn wire (DK Blue) with the Ford Right Turn wire (white/blue).

Wire #	Wire Color	Printing	Description
9	Brown	PARK LIGHTS	Park Light feed.
14A	Lt Blue	LEFT FRONT TURN	Left Front Turn Signal feed.
15A	DK Blue	RIGHT FRONT TURN	Right Front Turn Signal feed.

Horn Connection Route wire (29) to the LH Horn and cut to length, double with the wire that was just cut, crimp on terminal **C** and insert into connector **N** and attach to the LH Horn (see Figure A on page 12). Route the loose wire to the RH Horn and crimp on terminal **B** and insert into connector **N** and attach to the RH Horn. All of the terminals and connectors will be found in kit 510558.

Wire #	Wire Color	Printing	Description
29	Dark Green	HORN	Horn feed.

LH and RH Headlight Extension Harnesses Obtain the Headlight Extension Harnesses 510394 (Bag N) and connect to your LH and RH Headlights. Attach each ground ring terminal to a good Radiator Core Support ground.

Headlights Select the light green Headlight High Beam wire (11A) and the tan Headlight Low Beam wire (12). Route these wires to the LH Headlight Extension Harness, cut each to length, take each of the cutoff portions, double each of them together with their original wires, crimp on terminal **C** to each pair of wires, and install each terminal into connector **Z** found in kit 510558 (see Figure A on page 12). Be sure to align the tan wire 12 with the Headlight Extension Harness tan wire and the light green wire 11A to the Headlight light green wire. Now plug this connector to the LH Headlight Extension Harness. Attach the black ground wire, with the ring terminal, from the LH Headlight Extension Harness to a good Radiator Core Support ground. Take the remaining light green and tan wires and route them to the RH Headlight Extension Harness. Cut each to length, crimp on terminal **B** to each one, and install into another connector **Z**. Align the wire colors as before. Plug this connector to the RH Headlight Extension Harness. Attach the black ground wire, with the ring terminal, from the RH Headlight Extension Harness to a good Radiator Core Support ground.

Wire #	Wire Color	Printing	Description
11A	Lt Green	HEADLIGHT-HI BEAM	High Beam feed to the LH headlight.
12	Tan	HEADLIGHT-LOW BEAM	Low Beam feed to the LH headlight.

Starter Relay Connections Route wires 2A and 6 to the Starter Motor Relay.

Main Power Feed to the Fuse Block Route wire 2A from the Dash Harness to the Starter Relay and cut to length. Install terminal **C** and insert into connector **E** (parts found in kit 510558, see page 12, figure A). Obtain the Brown Main Power Feed Fusible Link, with wire 2J (shown on page 2 and included in Bag G), and plug into the same connector **E** (wire 2A). Now attach the ring terminal end of the Brown Main Power Feed Fusible Link (wire 2J) to the battery terminal of the Starter Relay (see page 13, figure C).

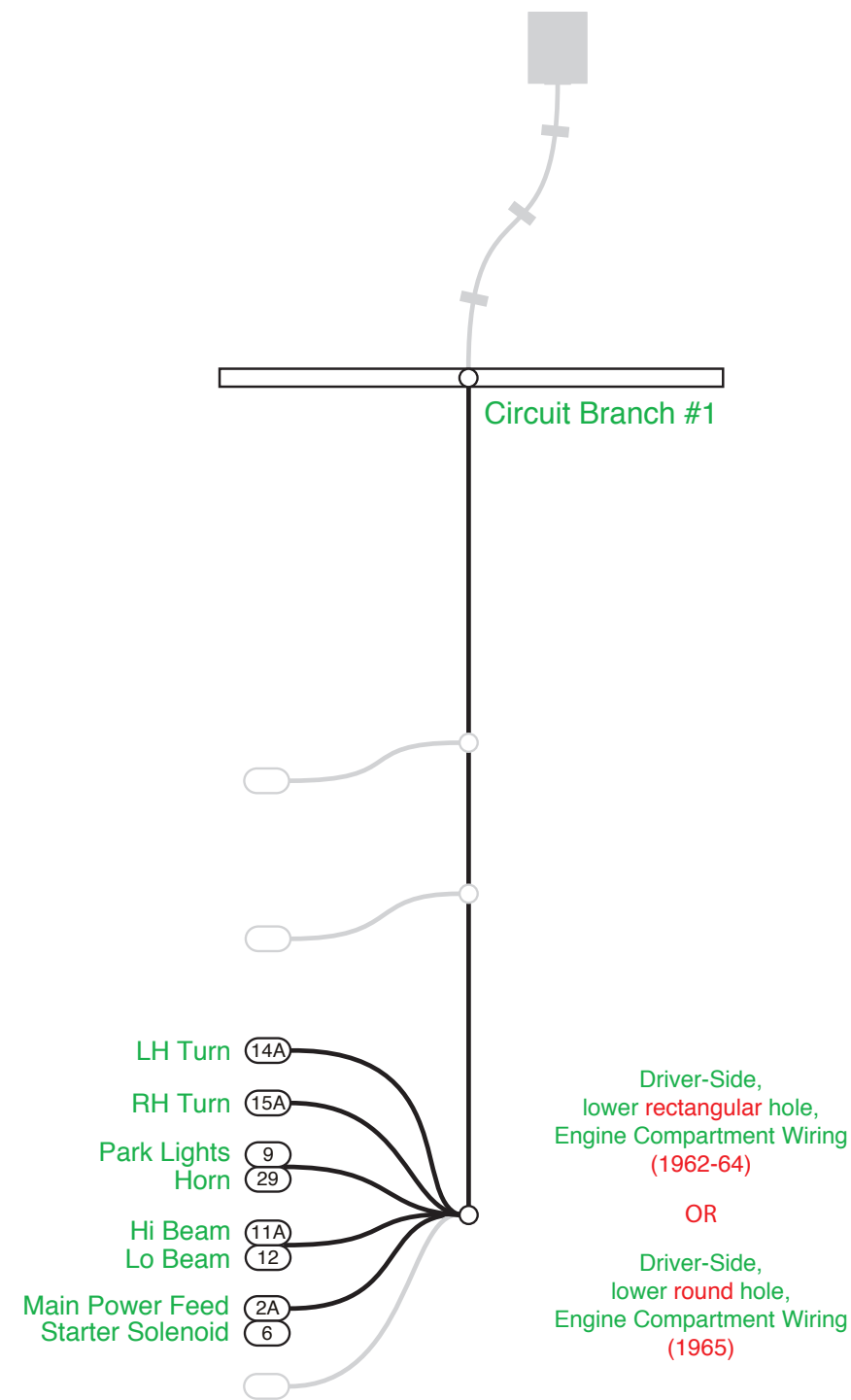
Wire #	Wire Color	Printing	Description
2A	Red	12V BATTERY	Main power feed.
2J	Brown	Fusible Link	This is the Circuit protection for the main power output.

Start Circuit Route wire 6 to the Starter Relay and cut to length. Install sleeve **D** and crimp on terminal **K** (see parts kit 510558). Connect to the Starter Relay S stud (see page 12, figure A).

Wire #	Wire Color	Printing	Description
6	Purple	STARTER SOLENOID-S	Start circuit.

Alternator Output Circuit Obtain the Red Alternator Power Wire with Blue Fusible Link Assembly (see page 2) from bag G and connect the ring terminal end (2H) that has the blue fusible link, to the battery terminal on the Starter Motor Solenoid (see page 13 figure C). Route the other end of the wire (2) to the Alternator Battery stud, slide on sleeve **D** (from kit 510558) and install terminal **L** and attach this completed assembly to the battery stud of the Alternator (see page 13 figure C).

Wire #	Wire Color	Printing	Description
2	Red	no printing	Alternator output wire.
2H	Light Blue	Fusible Link	This is the Circuit protection for the Alternator output.



www.americanautowire.com 856-933-0801

PART # **510553**

DESCRIPTION:
 1962-65 Ford Fairlane
 1962-63 Mercury Meteor
Classic Update Series Kit

92970710 Rev. 3.0 6/13/2017

Alternator Exciter Wire Wire 4B is the exciter wire for your Alternator/Voltage Regulator. If you are using a one wire Alternator, this wire will not be used and should be capped off as it is "hot" when the Ignition Switch is in the "ON or ACC" position. If you are using an Alternator that requires an internal or external Voltage Regulator, this wire must be connected to the "switched or 12V ignition" terminal on your Voltage Regulator or Alternator according to the manufacturers specifications for the type of Alternator/Voltage Regulator that is being used. An inline diode or resistor may be necessary to eliminate "run on" after being switched off. AAW recommends a Ford GEN 3 Internally Regulated or a one wire alternator. If you are using a GM "SI" alternator, obtain the **GM "SI" Alternator Exciter Wiring Harness** (see page 2 included in Bag G). Attach the ring terminal end of wire 2G to the Alternator Battery stud (see page 13 Figure C). Route the 4B wire in the Dash Harness to the 2-way connector, which is part of this same Exciter Wiring Harness. Crimp on terminal B to wire 4B and insert into the open cavity of the 2-way connector. Now plug the 2-way connector into the "SI" alternator.

Wire #	Wire Color	Printing	Description
2G	Red	no printing	Alternator Battery Stud wire in the GM "SI" Alternator Exciter Wiring Harness.
4B	Brown	ALTERNATOR IGN	Alternator Exciter wire.

Circuit Branch 2 – Engine Compartment Connections

Aftermarket Electric Speedometer Sensor Connect to your Aftermarket Electric Speedometer Speed Sensor per the manufacturers recommendations. Note that wires 400 and 401 must remain twisted together.

Wire #	Wire Color	Printing	Description
400	Yellow	VSS GROUND	Vehicle Speed Sensor Ground.
401	Purple	VSS SIGNAL	Vehicle Speed Sensor Signal.
402	Purple/White	VSS POWER	Vehicle Speed Sensor Power if using a 3 wire sender.

Brake Switch #1 (1962-1964 Vehicles. For 1965 vehicles, see page 9, circuit branch 7, brake switch #2) This Stop Light Switch is located on the Brake Master Cylinder. Route wires 17A and 40D to the switch. Cut to length and install sleeve D on each wire (see Figure B on page 13). Crimp on terminal X and slide sleeve D over the terminal. Now connect to the switch, polarity doesn't matter.

Wire #	Wire Color	Printing	Description
17A	White	BRAKE SW	Brake Light feed to the Turn Signal Switch.
40D	Orange	BRAKE SW	12V feed from the Fuse Block.

The Back-up and Neutral Safety Switches Route circuits 24 and 39C to the Back-up Lamp Switch and connect. If you have an Automatic Transmission, route circuits 5 and 6 to the Neutral Safety Switch and connect. If you have a Manual Transmission, connect wire 5 to wire 6. **Note: If wire 5 and wire 6 are not connected, your Starter Solenoid will not engage, and your Engine will not crank.** A typical connection for the Neutral Safety/Back-up Switch can be found on page 13, Figure D.

Wire #	Wire Color	Printing	Description
5	Purple	NEUTRAL SAFETY SWITCH	Start feed from the Ignition Switch to the Neutral Safety Switch or to wire 6.
6	Purple	STARTER SOLENOID-S	Start circuit from the Neutral Safety Switch or wire 5 to the Starter Solenoid.
24	Lt Green	BACK UP LT SW	Feed from the Back-up Lamp Switch to the Back-up Lamps.
39C	Pink	12V IGNITION	12V feed to the Back-up Lamp Switch.

Electric Choke This is the feed to the Electric Choke (if equipped). Route wire 39A to the Electric Choke and connect. No connectors or terminals have been provided for this connection.

Wire #	Wire Color	Printing	Description
39A	Tan	ELECTRIC CHOKE	On carbureted vehicles, connect to the Electric Choke.

Ignition Feed This is your 12V switched power source for the distributor /coil. This can be connected directly to the "Bat" terminal on a typical HEI Distributor, to a Ballast Resistor for a points type Distributor, or to be used as the ignition power source for an Aftermarket Ignition Module such as an MSD or "Dura Spark" module. See the installation instructions for the type of Distributor you are using for specific connection requirements. If you are using a GM style HEI distributor, terminal C and connector P (see Parts Kit 510558) have been provided to make that connection (see page 13 figure B for some examples).

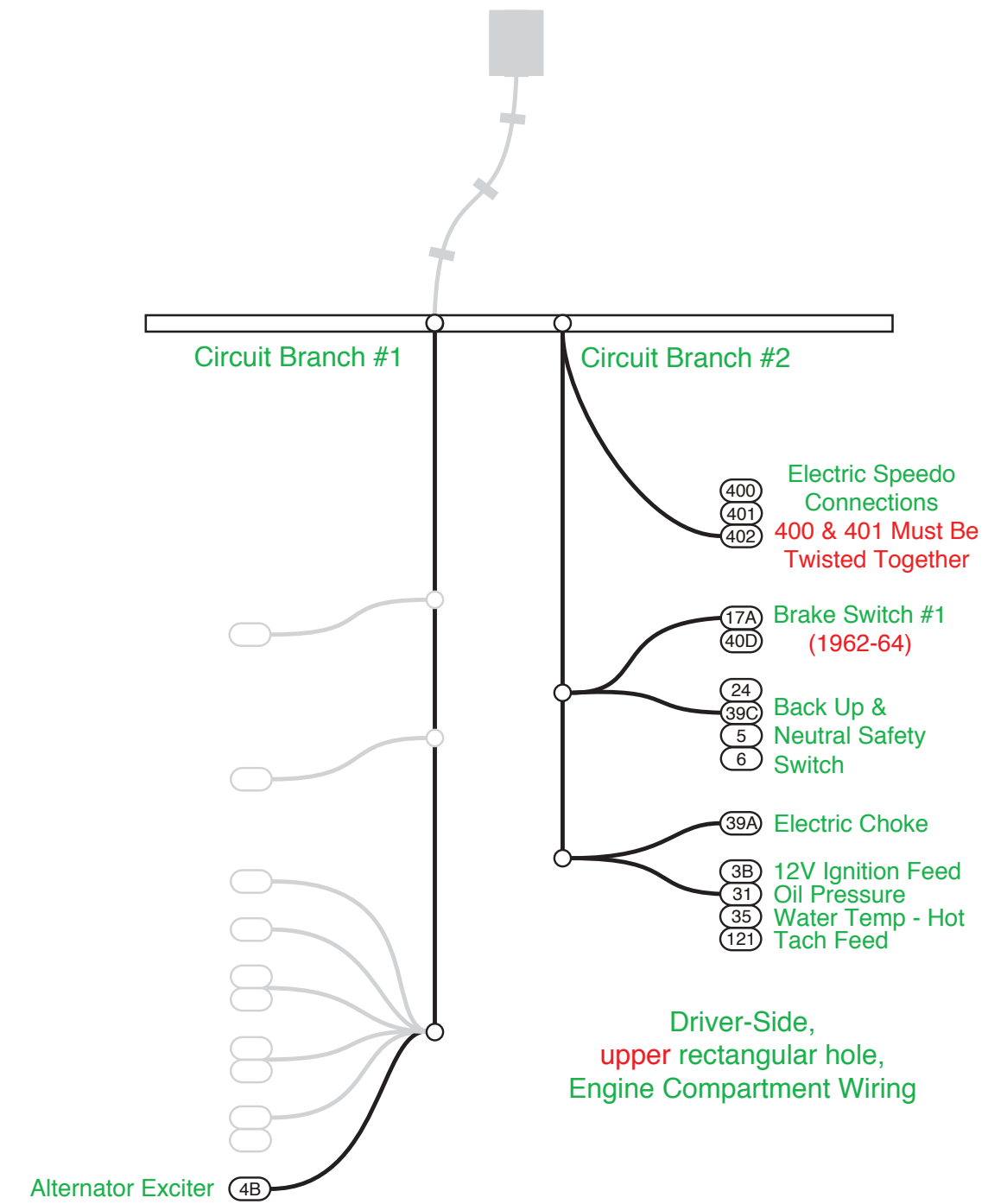
Wire #	Wire Color	Printing	Description
3B	Pink	IGNITION FEED	Switched 12V Ignition feed for the ignition.

Engine Sensors Route circuit 31 to the Oil Pressure Sending Unit and circuit 35 to the Water Temperature Sending Unit, cut to length, install terminals B or M (install sleeve J first if using M), plug into connector N (if using terminal B), see page 13 Figure B. See Parts Kit 510558 for connectors and terminals.

Wire #	Wire Color	Printing	Description
31	Dark Blue	OIL PRESSURE SENDER	Oil Pressure Sending unit.
35	Dark Green	WATER TEMP SENDER	Hot Water Temperature.

Tachometer **NOTE: This Kit will not support the use of an original factory tachometer (see the Warning Page).** However, this can be connected directly to the Tachometer terminal on a typical HEI Distributor, to the negative side of the Ignition Coil, or a Tachometer connection in an aftermarket Ignition Module such as an MSD module. If you are using a GM style HEI Distributor, terminal B and connector Q (Parts Kit 510558) have been provided to make that connection (see page 13, figure B).

Wire #	Wire Color	Printing	Description
121	White	COIL --> TACH	Tachometer feed wire.



Driver-Side, lower rectangular hole, Engine Compartment Wiring (1962-64) OR Driver-Side, lower round hole, Engine Compartment Wiring (1965)



www.americanautowire.com 856-933-0801

PART # **510553**

DESCRIPTION:
 1962-65 Ford Fairlane
 1962-63 Mercury Meteor
 Classic Update Series Kit

92970710 Rev. 3.0 6/13/2017

Circuit Branch 3 – Under Dash Connections

Accessory Connector Use the provided 6-way empty connector, which is attached to the 6-way Accessory Connector on the Dash Harness, and terminals B or C (see kit 510558) to add power leads (not provided) for the following systems:

Wire #	Wire Color	Printing	Fuse#	Fuse Block Cover	Fuse Rating	Description
100	Orange	no printing	7	Hazard	15A	Battery feed for Hazard or Audio Systems.
103	Tan	FUEL PUMP	10	Fuel Pump	20A	Ignition feed for Electric Fuel Pump.
104	Orange	POWER SEATS	2	Pwr Seats	30A	Battery feed for Power Seats.
105	Red	POWER LOCKS	8	Pwr Locks	20A	Battery feed for Power Locks.
106	Pink	POWER WINDOWS	15	Pwr Window	30A	Accessory feed for Power Windows.
107	Orange	12V BATTERY FUSED	1	Bat-Spare	30A	Battery feed for options.

Horn Relay Connector If you haven't already, now plug the Horn Relay (found in the 510557 Fuse kit) into this connector.

Wire #	Wire Color	Printing	Description
2C	Red	12V BATTERY	12V Battery feed to the Horn Relay.
28	Black	HORN RELAY GROUND	Relay ground circuit (to the Steering Column).
29	Dark Green	HORN	Feed to the Horns.

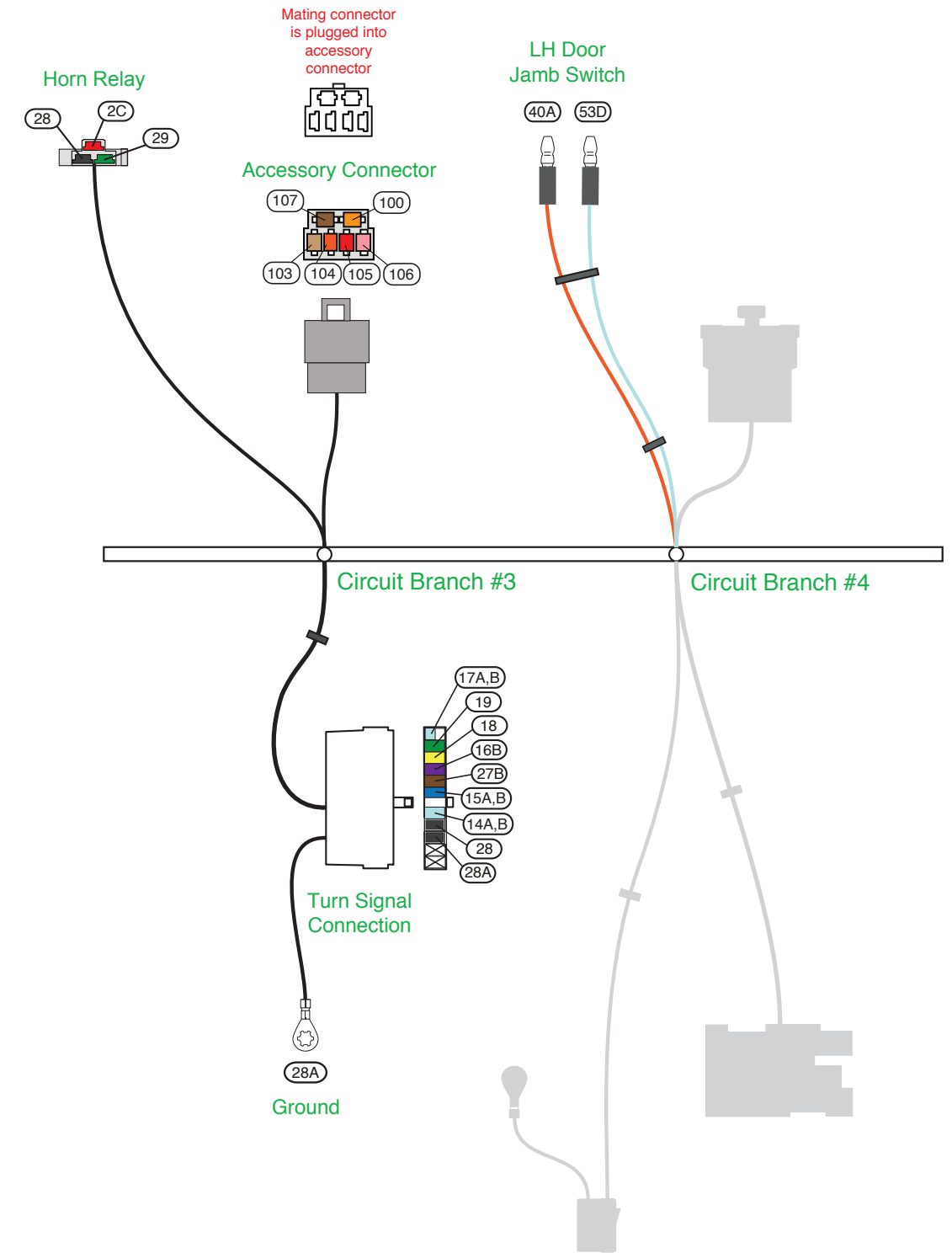
Turn Signal Switch Connector Plug into the Steering Column Turn Signal Switch connector. If you are using a stock Ford Steering Column on your vehicle, refer to Diagram 'A' and 'Table A' on page 11 for the proper mating directions. This Dash Harness is designed to function with a GM style turn signal switch. Our connector mates to a 3 7/8 inch long plug used on 1969-1974 GM, IDIDIT, and many other aftermarket steering columns. Starting from 1975 on up, the GM switch changed and began using a 4 1/4 inch connector. That connector is from the same family and uses the same terminals. By using the supplied mating connector and terminals located in the loose piece kit 92970715 inside Bag G, it is easy to adapt any steering column to this Dash Harness. The different functions of the wires in the Dash Harness connectors are as follows:

Wire #	Wire Color	Printing	Description
14A	Light Blue	LEFT FRONT TURN	Feed to the LH Front Turn Signal Light.
14B	Light Blue	LEFT DASH IND	Feed to the LH Turn Indicator Light.
15A	Dark Blue	RIGHT FRONT TURN	Feed to the RH Front Turn Signal Light.
15B	Dark Blue	RIGHT DASH IND	Feed to the RH Turn Indicator Light.
16B	Purple	TURN SWITCH FEED	Turn Signal Feed from the Turn Signal Flasher.
17A	White	BRAKE SW	Brake Switch #1 feed to the Turn Signal Switch.
17B	LT Blue	THIRD BRAKE LIGHT	12V feed to the optional Third Brake Light.
18	Yellow	LEFT REAR TURN	Feed to LH Rear Turn Signal Light.
19	Dark Green	RIGHT REAR TURN	Feed to RH Rear Turn Signal Light.
27B	Brown	TURN SW- HAZARD	Hazard feed to the Turn Signal Switch from the Hazard Flasher for a Steering Column with the Hazard function.
28	Black	HORN RELAY GROUND	Horn Relay ground to Horn Switch.
28A	Black	HORN RELAY GROUND	Horn Switch to ground.

Circuit Branch 4 – Under Dash Connections

Left Hand Door Jamb Switch Connection Route the two bullet terminals through the LH Door Jamb Switch hole from behind, and connect to the Door Jamb Switch which is included in kit 510558. Polarity does not matter. Attach the Door Jamb Switch in the original location.

Wire #	Wire Color	Printing	Description
40A	Orange	12V BATTERY-FUSED	12V Fused Battery Feed.
53D	Lt Blue	12V CTSY SW	Feed to the LH Courtesy Light.



www.americanautowire.com 856-933-0801

PART # **510553**
 DESCRIPTION:
 1962-65 Ford Fairlane
 1962-63 Mercury Meteor
 Classic Update Series Kit
 92970710 Rev. 3.0 6/13/2017

Rear Body Harness Connection This connector will plug to the Rear Body Harness 510556 (Bag M). Specific connections are addressed in that kit. The Rear Body Harness will route along the driver's sill the same as the original Ford Body Harness routing. Be sure to attach the wiring in the original routing clips.

Wire #	Wire Color	Printing	Description
9	Brown	PARK LIGHTS	Feed to the Front Park Lights.
9A	Brown	REAR RUNNING LIGHTS	Feed for the License Light and Rear Running Lights.
17B	Light Blue	THIRD BRAKE LIGHT	Feed for an Aftermarket Third Brake Light.
17C	White	BRAKE SW	Brake Switch #2 feed to the Turn Signal Switch.
18	Yellow	LEFT REAR TURN	Feed to the Left Rear Stop and Turn Light.
19	Dark Green	RIGHT REAR TURN	Feed to the Right Rear Stop and Turn Light.
24	Light Green	BACK UP LT SW	Feed from the Back-up Light Switch to the Back-up Lights.
30	Tan	GAS GAUGE	Fuel Tank Sender.
40G	Orange	12V BATTERY-FUSED	12V Battery feed for the Trunk Light or Aftermarket LED Rear Lights.
53C, 53D	Light Blue	12V CTSY SW	12V Switched feed to the Dome Light.

Left Hand Courtesy Lamp Connector Plug into one Under Dash Courtesy Lamp Wiring Harness, from bag G (as shown on page 2), to complete this circuit, and attach to the lower Instrument Panel.

Wire #	Wire Color	Printing	Description
53A, 53C	Light Blue	12V CTSY SW	12V Switched feed to the Left Hand Courtesy Light.
156A	White	CTSY GROUND	LH Courtesy Lamp ground. Attach this ring terminal to a good ground.

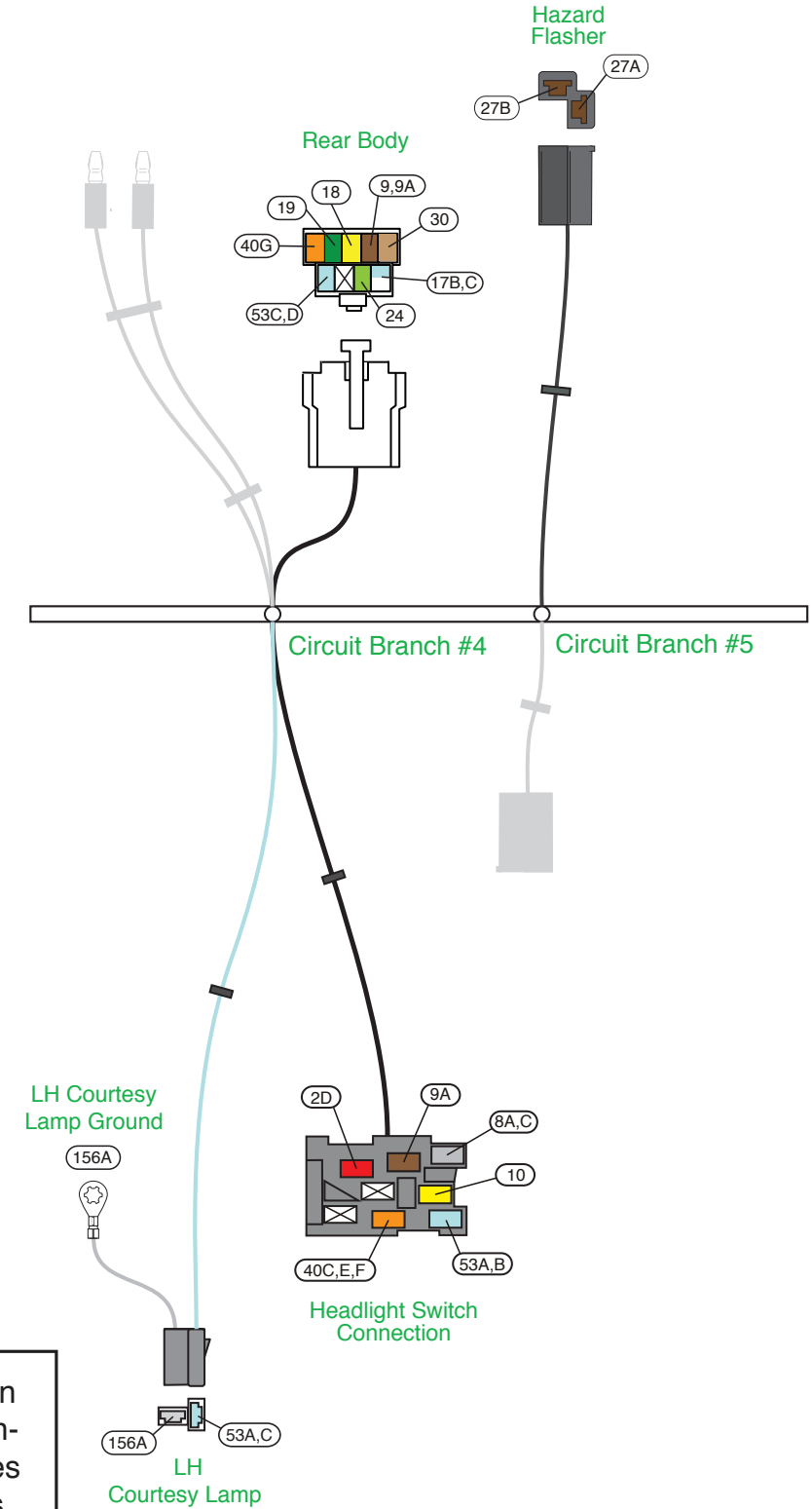
Headlight Switch Connector Plug this connector to Headlight Switch 510385.

Wire #	Wire Color	Printing	Description
2D	Red	12V BATTERY	Un-fused 12V Battery feed from the Fuse Block.
8A	Gray	DASH LIGHTS	Dash Light feed to the Cluster.
8C	Gray	DASH LIGHTS	Dash Light feed to the Heater Switch Light.
9A	Brown	REAR RUNNING LIGHTS	Feed to the Rear Tail Lights and the License Light.
10	Yellow	DIMMER SW FEED	Feed to the Dimmer Switch for the Headlights.
40C	Orange	12V BATTERY-FUSED	Fused 12V battery feed from the Fuse Block.
40E	Orange	BRAKE SW	Feed to Brake Switch #2.
40F	Orange	12V BATTERY-FUSED	Feed to the Map Light or the Glove Box Light.
53A	Light Blue	12V CTSY SW	12V Switched feed to the Left Hand Courtesy Light.
53B	Light Blue	12V CTSY SW	12V Switched feed to the Map Light.

Circuit Branch 5 – Under Dash Connections

Hazard Flasher Connector When the Flasher is plugged in, you will be able to supply power to a Turn Signal Switch, which is part of an Aftermarket (or a Factory) Steering Column, with a Hazard Switch function. Plug the Flasher (part of the Fuse and Flasher Kit 510557) in, if so equipped.

Wire #	Wire Color	Printing	Description
27A	Brown	TURN SW – HAZARD	12V fused battery feed to the Hazard Flasher.
27B	Brown	TURN SW – HAZARD	Hazard Flasher feed to the Turn Signal Switch.



NOTE: The courtesy lamp extension from page 2, that plugs onto the connector at branch 4 on this page, uses a # 631 bulb (not included with this kit). They may be purchased at any auto parts store.



www.americanautowire.com 856-933-0801

PART # **510553**

DESCRIPTION:
 1962-65 Ford Fairlane
 1962-63 Mercury Meteor
 Classic Update Series Kit

92970710 Rev. 3.0 6/13/2017

Turn Signal Flasher Connector This is the connector for the Turn Signal Flasher. Plug the Turn Signal Flasher (part of the Fuse and Flasher Kit 510557) into this connector. After the Flasher is connected, you can place it in the Flasher Holder on the back of the Instrument Cluster.

Wire #	Wire Color	Printing	Description
16A	Purple	TURN SWITCH FEED	12V fused ignition feed to the Turn Signal Flasher.
16B	Purple	TURN SWITCH FEED	Turn Signal Flasher feed to the Turn Signal Switch.

Circuit Branch 6 – Under Dash Connections

Instrument Cluster Connections These connections will plug into the Cluster Connector Kit 510555 (Bag H). Instructions are included in that kit for the connections to the Instrument Cluster.

Cluster Connector “A”

Wire #	Wire Color	Printing	Description
4C	Brown	no printing	Cluster 12V Accessory Feed.
8A, B	Gray	DASH LIGHTS	Headlight Switch feed for the Cluster Illumination Lights.
39B, C	Pink	12V IGNITION	Fused 12V Ignition Feed.
150	Black	GROUND	Cluster ground.

Cluster Connector “B”

Wire #	Wire Color	Printing	Description
11B	Light Green	HI BEAM INDICATOR LIGHT	Feed To the High Beam Indicator Light.
14B	Light Blue	LEFT DASH IND	Feed for the Left Turn Signal Indicator Light.
15B	Dark Blue	RIGHT DASH IND	Feed for the Right Turn Signal Indicator Light.
30	Tan	GAS GAUGE	Fuel Gauge Signal from the Fuel Tank Sending Unit.
31	Dark Blue	OIL PRESSURE SENDER	Oil Pressure Sender Signal from the Engine.
33B	Tan	BRAKE LIGHT/SWITCH	Brake Warning Light Feed for upgraded Brake Systems.
35	Dark Green	WATER TEMP SENDER	Water Temperature Sender Signal from the Engine.
121	White	COIL - TACH	Feed for an Aftermarket Tachometer (see the Warning Sheet).

Cluster Connector “C” This connector contains the circuits for an Aftermarket Electric Speedometer. Wires “400” and “401” must remain twisted together.

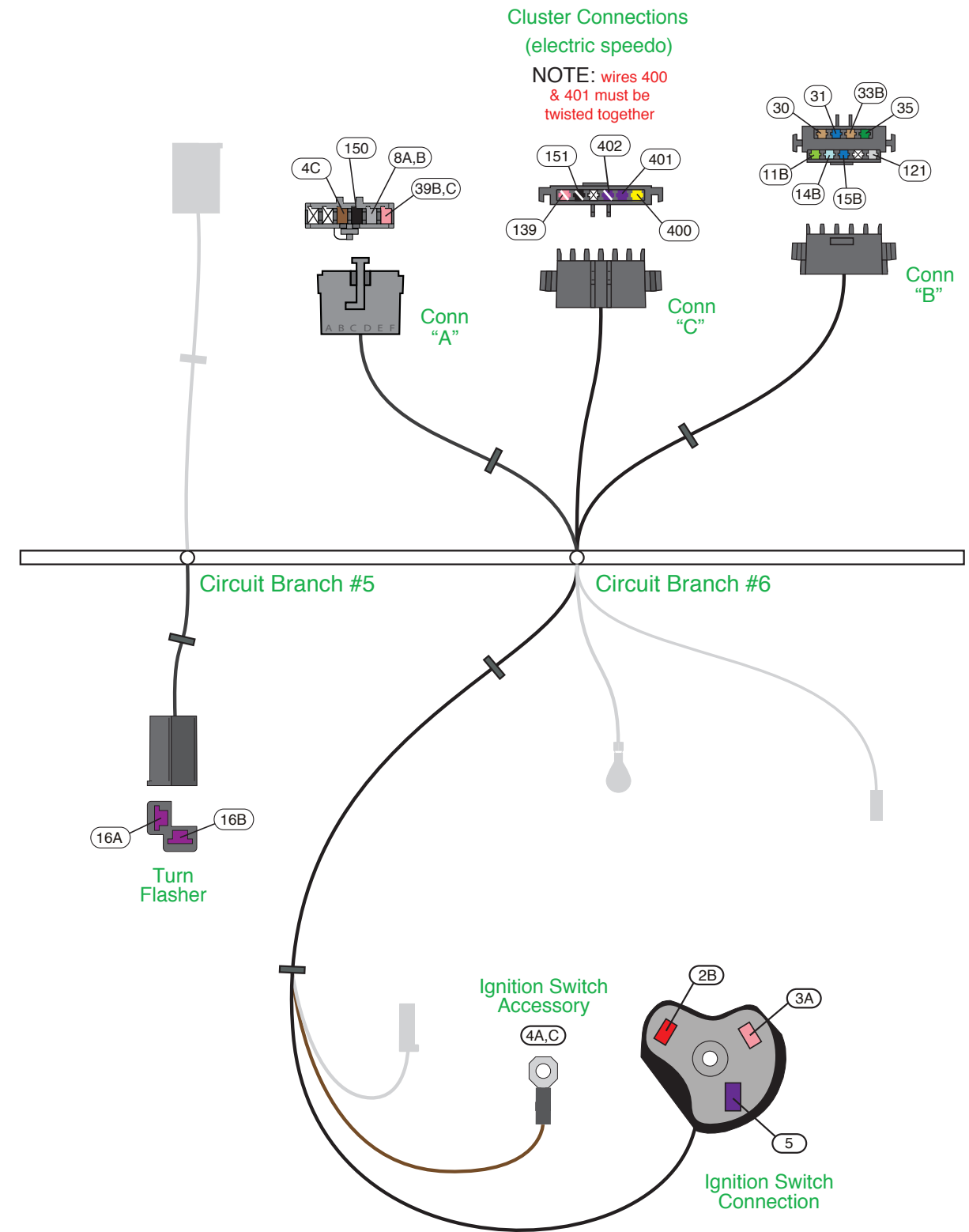
Wire #	Wire Color	Printing	Description
139	Pink/White	SPEEDO POWER	Fused 12V feed for the Electric Speedometer.
151	Black/White	SPEEDO GROUND	Electric Speedometer ground.
400	Yellow	VSS GROUND	Vehicle Speed Sensor ground.
401	Purple	VSS SIGNAL	Vehicle Speed Sensor signal.
402	Purple/White	VSS POWER	Vehicle Speed Sensor power.

Ignition Switch Connector Plug this connector to the Ignition Switch 510128. Use extra care when routing the wires away from the Ignition Switch. The Steering Column Support Bracket may be in close proximity to the wires and should be avoided.

Wire #	Wire Color	Printing	Description
2B	Red	12V BATTERY	12V Un-Fused Battery Feed from the Fuse Block.
3A	Pink	IGNITION FEED	Ignition Feed to the Fuse Block.
5	Purple	NEUTRAL SAFETY SWITCH	Start Feed to the Neutral Safety Switch or to Wire 6.

Ignition Switch Accessory Ring Terminal Attach this ring terminal to the Ignition Switch after the Ignition Switch Connector is plugged in. Use the nut to securely fasten the ring terminal to the Ignition Switch threaded stud. **NOTE: Do not over tighten.**

Wire #	Wire Color	Printing	Description
4A	Brown	IGNITION SW ACCY	12V Accessory Feed to the Fuse Block.
4C	Brown	no printing	12V Accessory feed to the Cluster.



**American
Autowire**

www.americanautowire.com 856-933-0801

PART # **510553**

DESCRIPTION:
1962-65 Ford Fairlane
1962-63 Mercury Meteor
Classic Update Series Kit

92970710 Rev. 3.0 6/13/2017

Ignition Switch Brake Warning Lamp Prove-out Connector For vehicles with an upgraded Brake System, connect this to the Ignition Switch after the Ignition Switch Accessory Ring Terminal is attached. This connector plugs onto the blade terminal which is located on the side of the Ignition Switch. This wire provides the bulb check ground for the Brake Warning Lamp circuit when the Ignition Switch is in the "Start" position.

Wire #	Wire Color	Printing	Description
33, 33B	Tan	BRAKE LIGHT/SWITCH	Brake Warning Lamp Bulb Check during Crank.

Aftermarket Electric Speedometer Ground Attach this wire to a good body ground. **NOTE: Do not attach this ring terminal with any other ground wires; it should be attached to ground all by itself.**

Wire #	Wire Color	Printing	Description
151	Black/White	Speedo Ground	Ground for an Aftermarket Electric Speedometer.

Wiper Connector This is the power feed to the Wiper System. Connect to the male bullet connector on the **Windshield Wiper Jumper Harness** (see page 2, located in Bag G) which is only used with a **1962-1963 1-speed Wiper System**, or the male bullet connector on the original factory Wiper wires (all others) that you added earlier and have already installed (see page 14, for an example).

Wire #	Wire Color	Printing	Description
93	White	WIPER FEED	12V fused feed for the Wiper System.

Windshield Wiper Jumper Harness This jumper is used for a **1962-1963** vehicle with a 1-speed Wiper System only. This is the power feed connection between the Dash Harness and the original factory Wiper wiring.

Wire #	Wire Color	Printing	Description
93A	White	WIPER FEED	Windshield Wiper feed.
93B	White	WIPER FEED	Windshield Wiper feed.

Circuit Branch 7 – Under Dash Connection

Dash Light Candelabra Attach the Ash Tray Light, Radio Illumination Light, Clock Light, Tachometer Light, or Auto Transmission Floor Shifter Dial Indicator Light to this candelabra connector. Note: If needed, male bullet terminal **A** and sleeve **D** have been provided to replace your original terminals. They can be found in the **510558** Parts Kit.

Wire #	Wire Color	Printing	Description
8B	Gray	DASH LIGHTS	Various Dash Light Feeds.

Clock Connect to the Clock (optional).

Wire #	Wire Color	Printing	Description
99	Yellow	CLOCK BAT	12V Fused Battery feed to the Clock.

Map and Glove Compartment Connectors These connectors are provided for your optional Glove Box Light or Map Light.

Wire #	Wire Color	Printing	Description
40F, H	Orange	12V BATTERY-FUSED	Battery Feed for the Glove Box, or the Map Light. (Mates to the dark green/yellow stripe wire).
53B, E	Light Blue	12V CTSY SW	Feed for the Map Lights. (Mates to the black/light blue stripe wire).

Radio These circuits are provided for your Radio.

Wire #	Wire Color	Printing	Description
43	Tan	RADIO	12V Fused Accessory Feed for the Radio "On/Off" power.
99A	Yellow	RADIO BAT	12V Fused Battery Feed for the Radio Memory.

Brake Switch #2 Connector (1965 Vehicles) Plug this connector to the Brake Light Switch #2 which is mounted to the Brake Pedal Assembly.

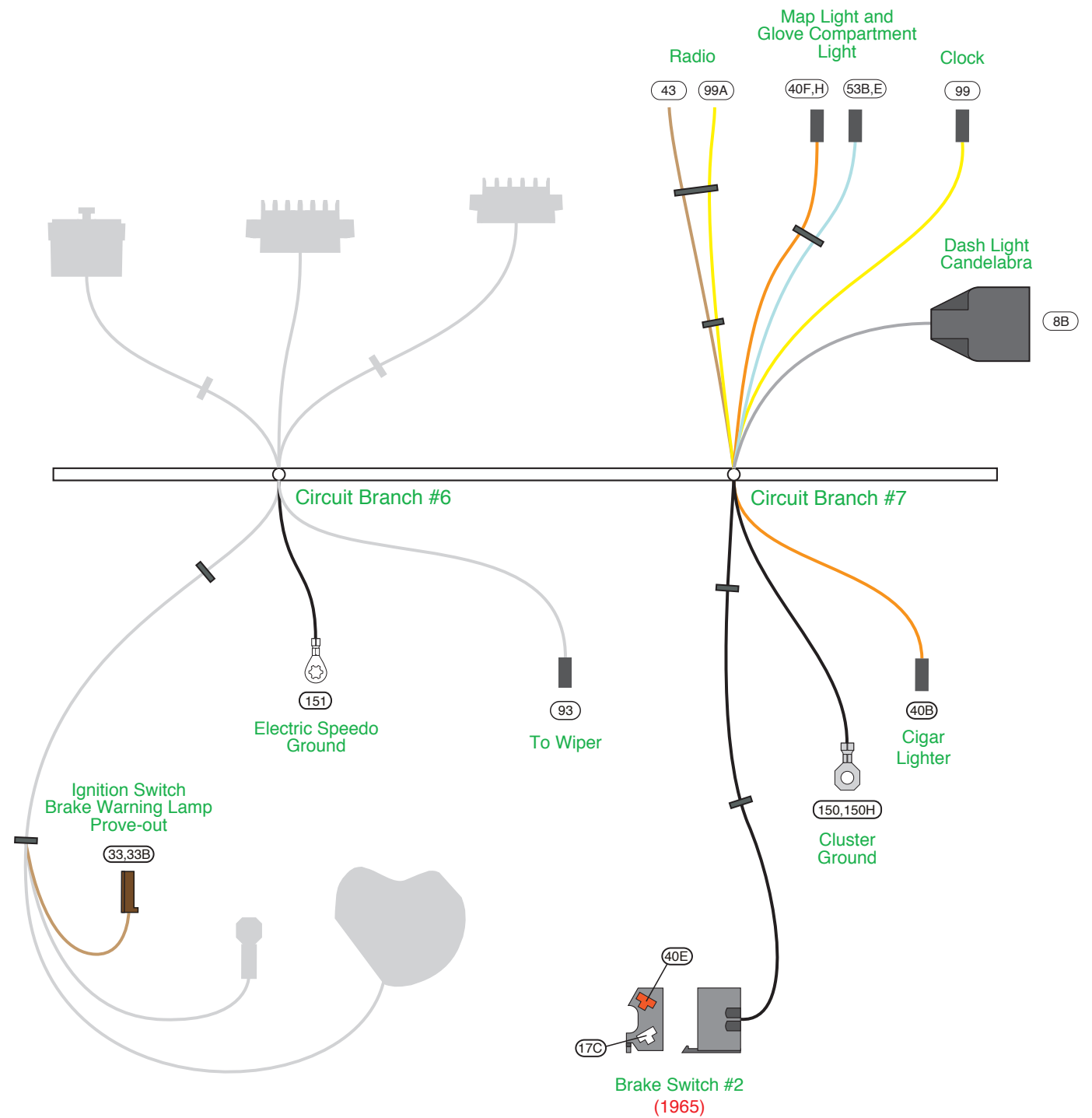
Wire #	Wire Color	Printing	Description
17C	White	BRAKE SW	Feed from the Brake Switch to the Turn Signal Switch for Rear Brake Lights.
40E	Orange	BRAKE SW	Fused 12V Battery Feed from the Fuse Block.

Ground Lead Attach this wire to a good body ground. **NOTE: Do not attach this ring terminal with the 151 ground wire in Circuit Branch #6.**

Wire #	Wire Color	Printing	Description
150	Black	GROUND	Cluster ground.
150H	Black	GROUND	Blower Switch Ground.

Cigar Lighter Connector Plug this connector to the Cigar Lighter.

Wire #	Wire Color	Printing	Description
40B	Orange	no printing	Fused 12V Battery Feed to the Cigar Lighter.



www.americanautowire.com 856-933-0801

PART #	510553
DESCRIPTION:	1962-65 Ford Fairlane 1962-63 Mercury Meteor Classic Update Series Kit
92970710	Rev. 3.0 6/13/2017

Circuit Branch 8 – Under Dash Connections

Heater Blower Switch Connector Connect this 4-way connector to the Heater Blower Switch.

Wire #	Wire Color	Printing	Description
51	Red	no printing	Heater Blower Switch Low Speed.
52	Orange	no printing	Heater Blower Switch High Speed.
72	Light Blue	no printing	Heater Blower Switch Medium Speed.
150H	Black	GROUND	Heater Blower Switch Ground.

Heater Switch Illumination Light Connect to the Heater Switch Illumination Light (if equipped).

Wire #	Wire Color	Printing	Description
8C	Gray	DASH LIGHTS	Heater Switch Light feed.

Circuit Branch 9 – Under Dash Connections

Blower Motor Resistor Connector Plug this connector onto the Blower Motor Resistor

Wire #	Wire Color	Printing	Description
51	Red	no printing	Blower Motor Low Speed.
52	Orange	no printing	Blower Motor High Speed.
72	Light Blue	no printing	Blower Motor Medium Speed.

Blower Motor Connector Connect to the Blower Motor Pigtail Wire which has the male bullet (or main power feed "IN" on an aftermarket system). There is another Pigtail Wire from the Blower Motor which will connect to the Blower Motor Resistor. That wire has a female Blade Terminal on it

Wire #	Wire Color	Printing	Description
50	Brown	HEATER/AC FEED	Fused 12V Blower Motor Feed.

Circuit Branch 10 – Under Dash Connections

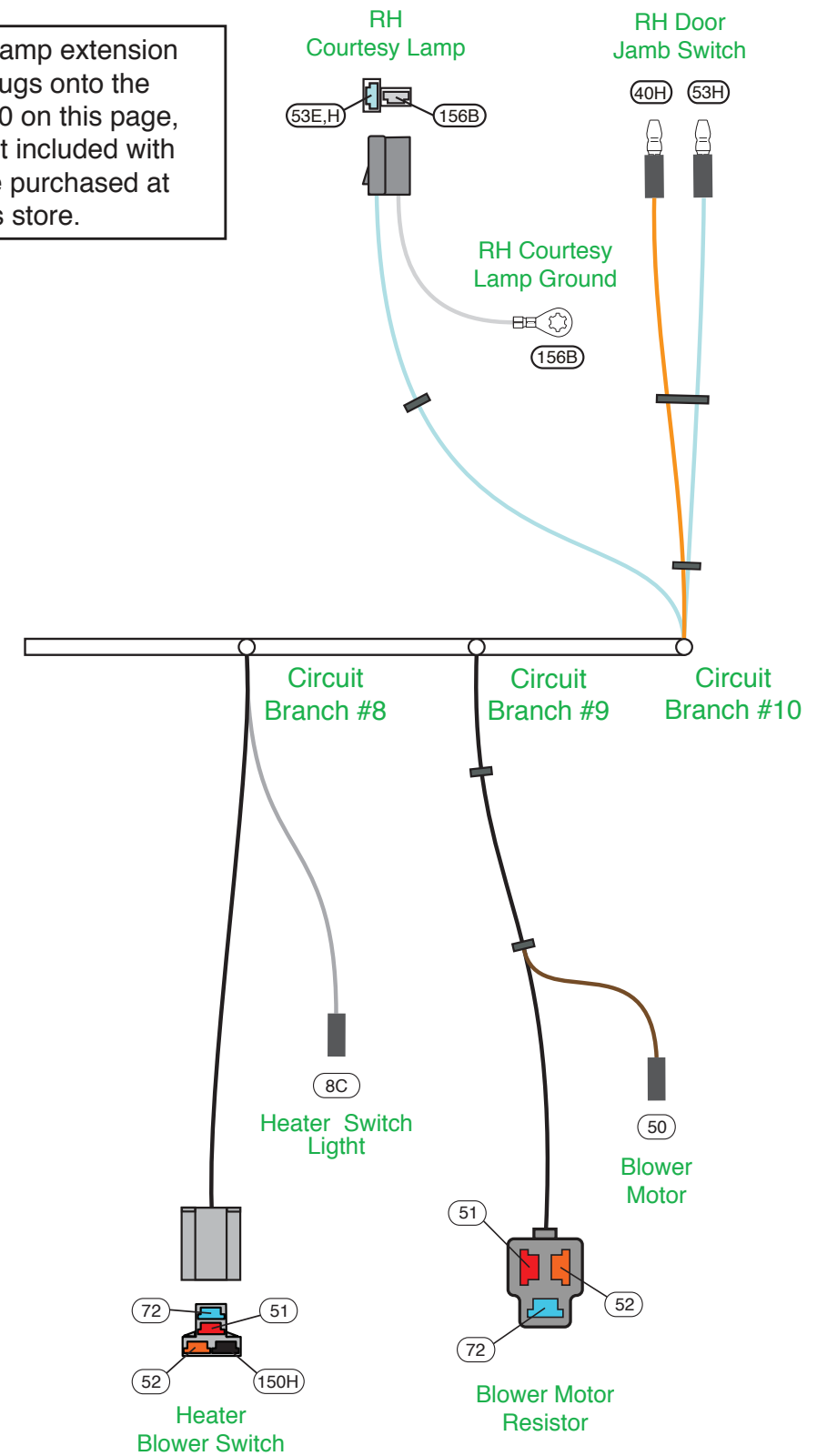
Right Hand Courtesy Lamp Connector Plug into one Under Dash Courtesy Lamp Wiring Harness, from bag G (as shown on page 2), to complete this circuit, and attach to the Lower Instrument Panel.

Wire #	Wire Color	Printing	Description
53E, 53H	Light Blue	12V CTSY SW	12V Switched Feed to the Right Hand Courtesy Lamp.
156B	White	CTSY GROUND	RH Courtesy Lamp ground. Attach this ring terminal to a good ground.

Right Hand Door Jamb Switch Connection Route the two bullet terminals through the RH Door Jamb Switch hole from behind, and connect to the Door Jamb Switch which is included in kit 510553. Polarity does not matter. Attach the Door Jamb Switch in the original location.

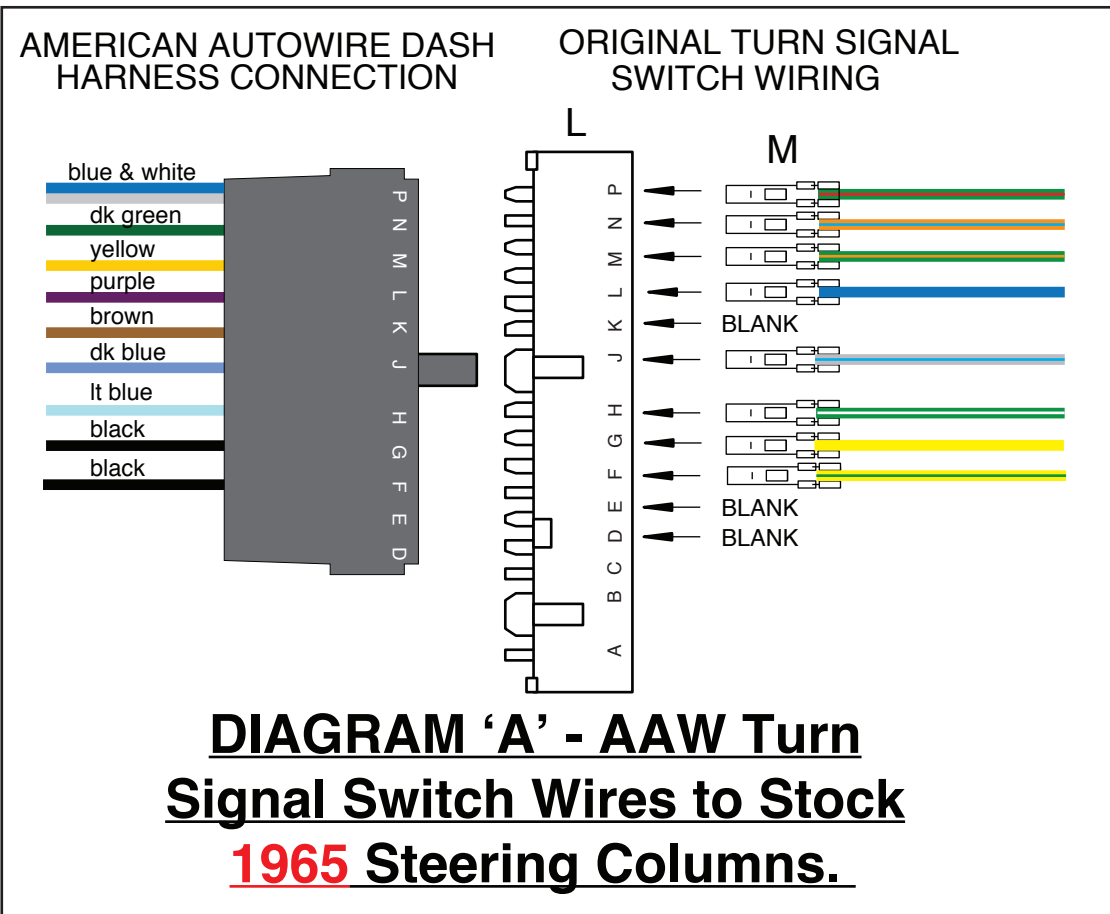
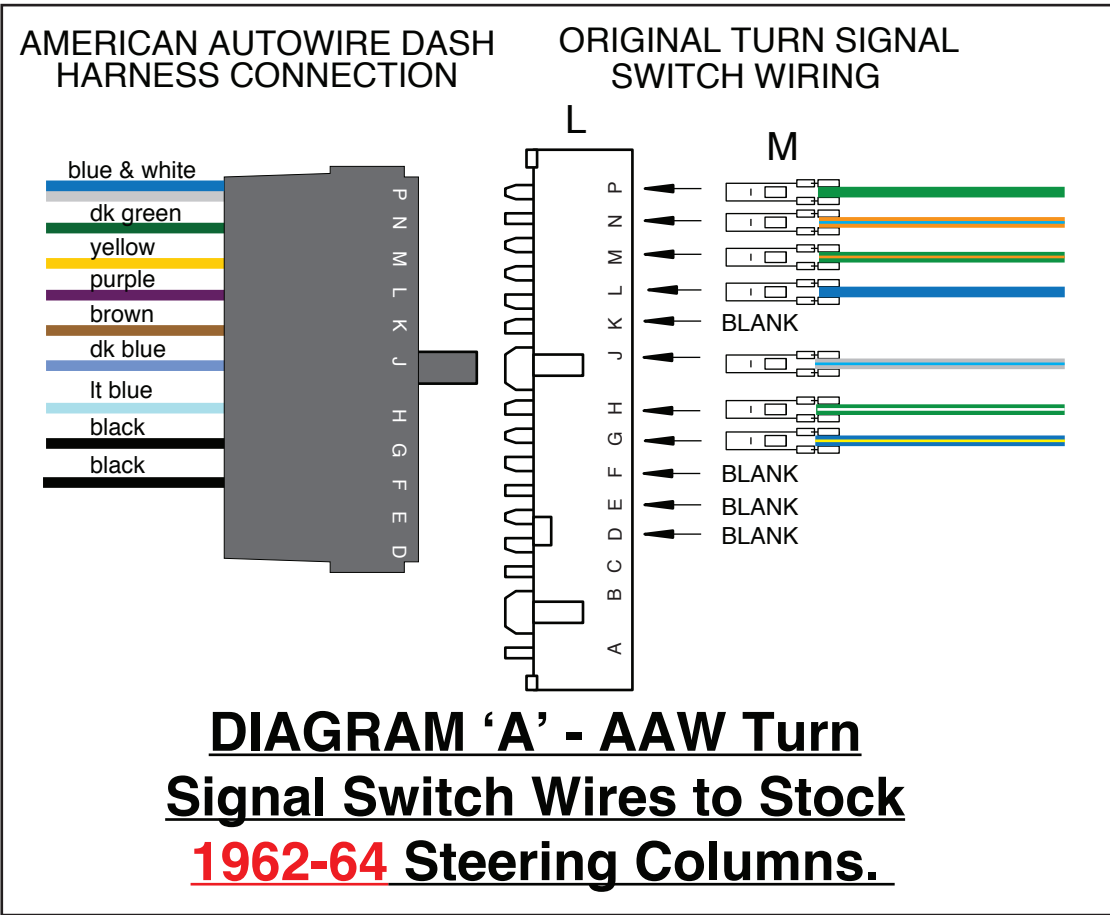
Wire #	Wire Color	Printing	Description
40H	Orange	12V BATTERY-FUSED	12V Fused Battery feed.
53H	Light Blue	12V CTSY SW	Feed to the RH Courtesy Light.v

NOTE: The courtesy lamp extension from page 2, that plugs onto the connector at branch 10 on this page, uses a # 631 bulb (not included with this kit). They may be purchased at any auto parts store.



www.americanautowire.com 856-933-0801

PART # **510553**
 DESCRIPTION:
 1962-65 Ford Fairlane
 1962-63 Mercury Meteor
 Classic Update Series Kit
 92970710 Rev. 3.0 6/13/2017



“Table A”

AAW Turn Signal Switch wires to stock 1962-1965 Ford Turn Signal Switch

AAW Wire #	AAW Wire Color	AAW Wire Printing	Connector Cavity	Ford Wire Color
17A,B	Blue & White	Brake SW	P	Green (1962-64) or Green with Red Stripe (1965)
19	Dark Green	Right Rear Turn	N	Orange with Blue Stripe
18	Yellow	Left Rear Turn	M	Green with Orange Stripe
16B	Purple	Turn Switch Feed	L	Blue
27B	Brown	Turn SW - Hazard	K	Not available
15A,B	Dark Blue	Right Front Turn	J	White with Blue Stripe
14A,B	Light Blue	Left Front Turn	H	Green with White Stripe
28	Black	Horn Relay Ground	G	Blue with Yellow Stripe (1962-64) or Yellow (1965)
28A	Black	Horn Relay Ground	F	Not available (1962-64) or Yellow with Green Stripe (1965)
None	None	None	E	None
None	None	None	D	None

NOTE: For the 1962-1964 vehicles, the Steering Column Horn Button switches ground for a Horn Relay, which then switches power to the Horns, similar to the AAW design. Wire 27B is being provided if an Emergency Warning Flasher System is to be added. Wire 28A is provided for the 1965 vehicles (see below) and is not used for the 1960-1964 vehicles.

NOTE: For the 1965 vehicles, the Steering Column Horn Button switched 12V power to the Horns. The AAW design, switches ground through the Steering Column Horn Button, which grounds a Horn Relay that will then switch power to the Horns. Therefore, you will have to align the AAW 28A Black wire (connector cavity F) to the Ford Yellow with a Green Stripe wire. Be sure to connect the ring terminal end of 28A, to a good ground. Wire 27B is being provided, if an Emergency Warning Flasher System is to be added.



www.americanautowire.com 856-933-0801

PART # **510553**

DESCRIPTION:
 1962-65 Ford Fairlane
 1962-63 Mercury Meteor
 Classic Update Series Kit

92970710 Rev. 3.0 6/13/2017

510394 Headlight Extension Harness

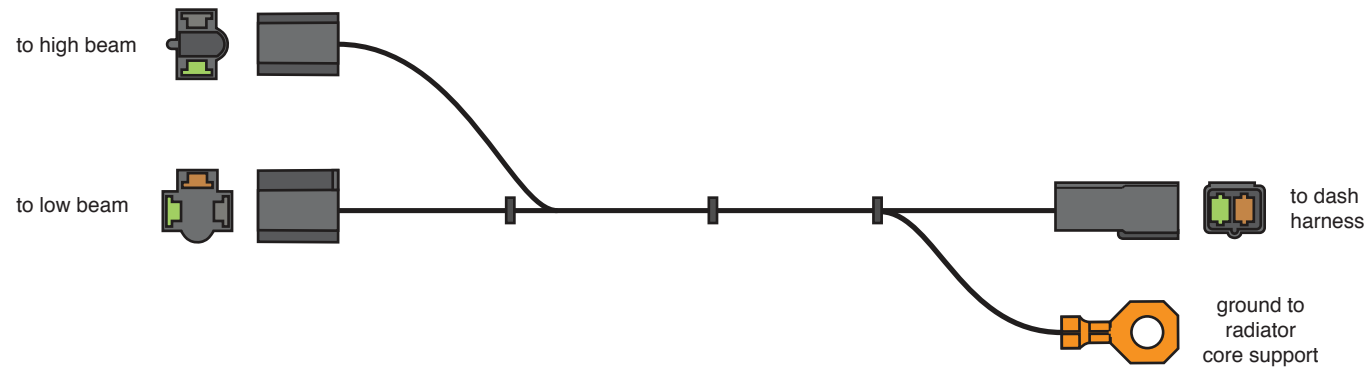
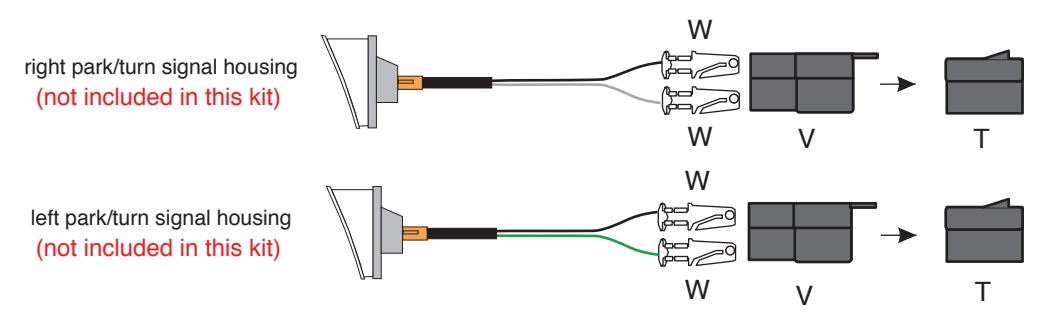
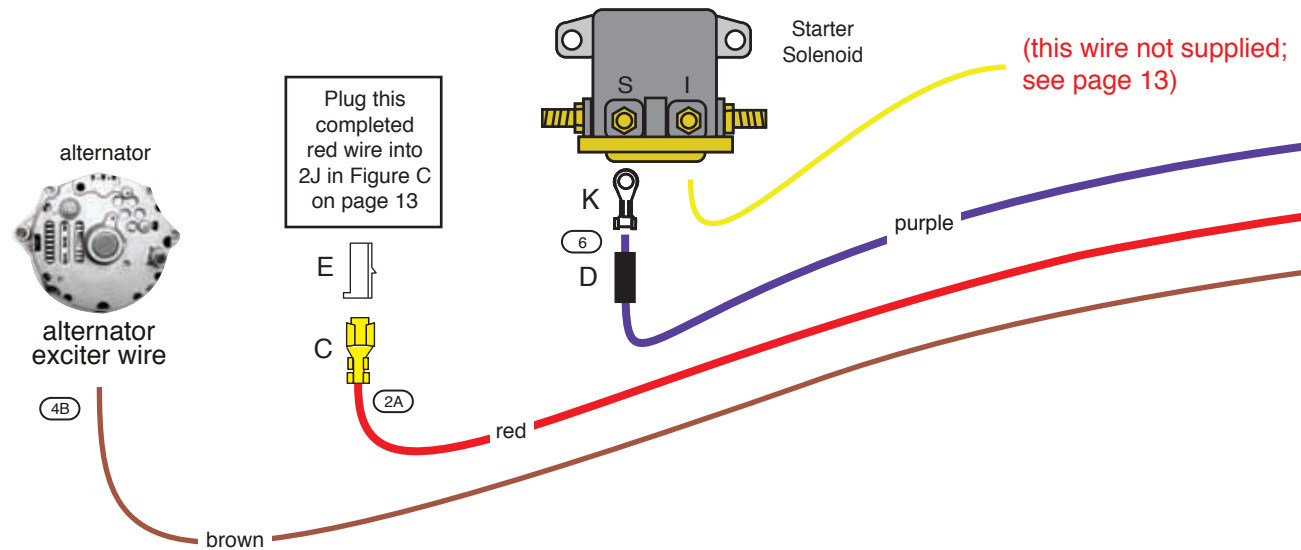
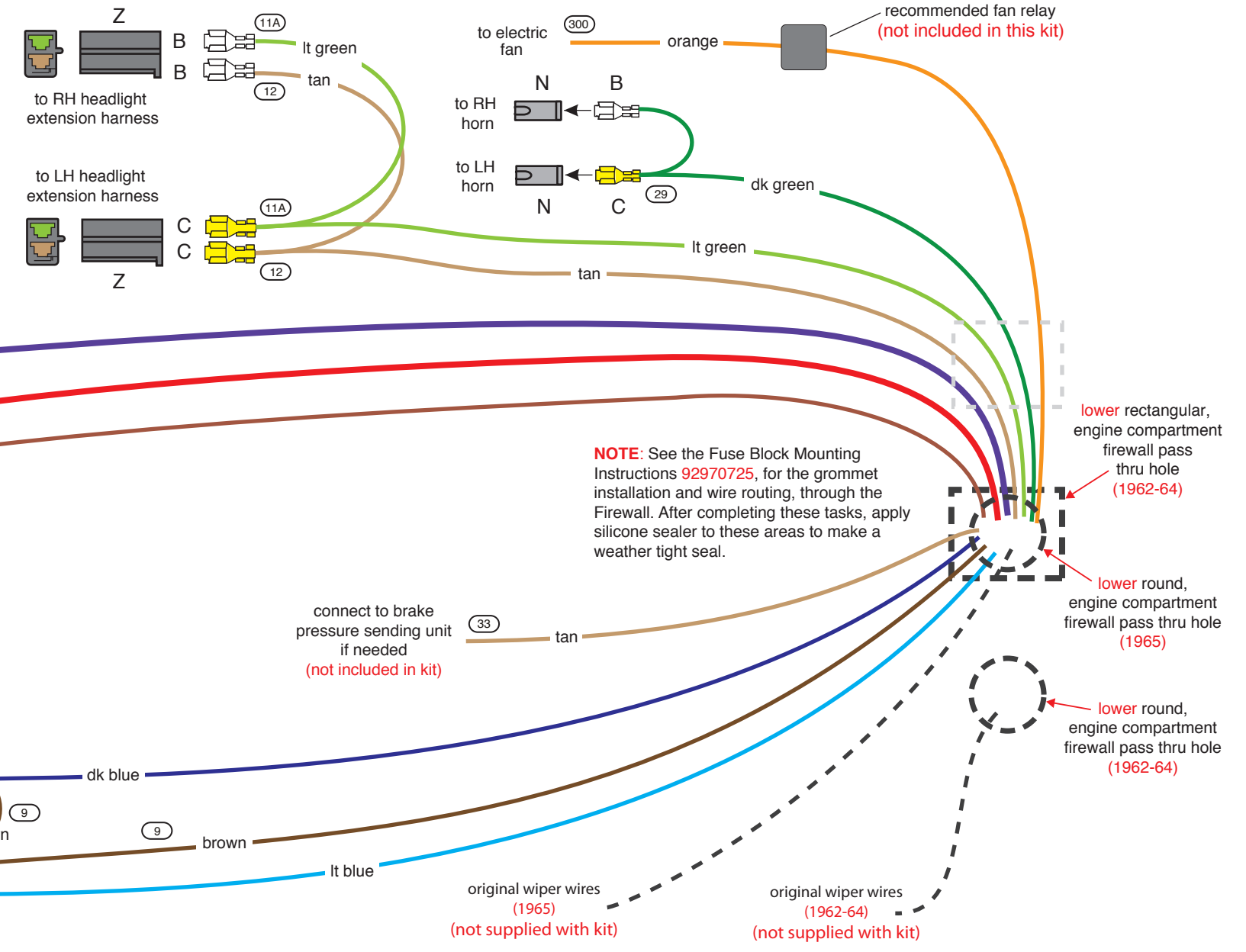


Figure "A"
 Driver Side, lower **rectangular** hole, Engine Compartment Wiring (1962-64)
 Driver Side, lower **round** hole, Engine Compartment Wiring (1965)

Head lamp, parking lamp, horn, brake warning, fan relay, main power, starter solenoid and alternator exciter. These wires are all found at branch 1, pages 3, 4 and 5.



NOTE: The terminals and connectors listed on this page and denoted with UPPER CASE LETTERS, to help you complete the various connections to your lamps, horns, switches, etc., can be found in your loose piece clamp, grommet, and parts kit, P/N 510558.

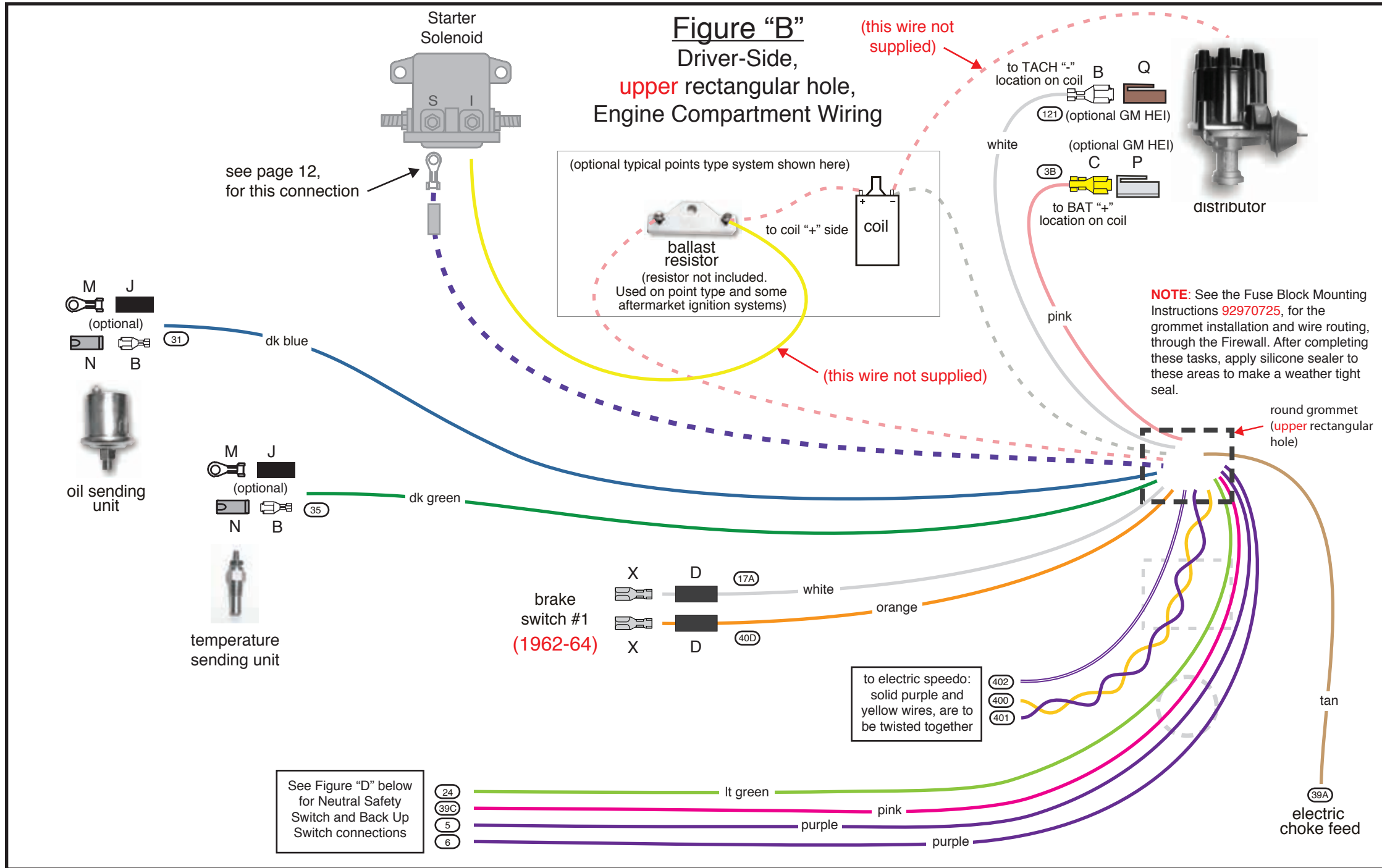
The identifications, colors, and functions for all of the wires listed in "Figure A" on this page, can be found on pages 3, 4 and 5, branch 1 of this instruction set and in the headlight harness kit.



PART # **510553**

DESCRIPTION:
 1962-65 Ford Fairlane
 1962-63 Mercury Meteor
 Classic Update Series Kit

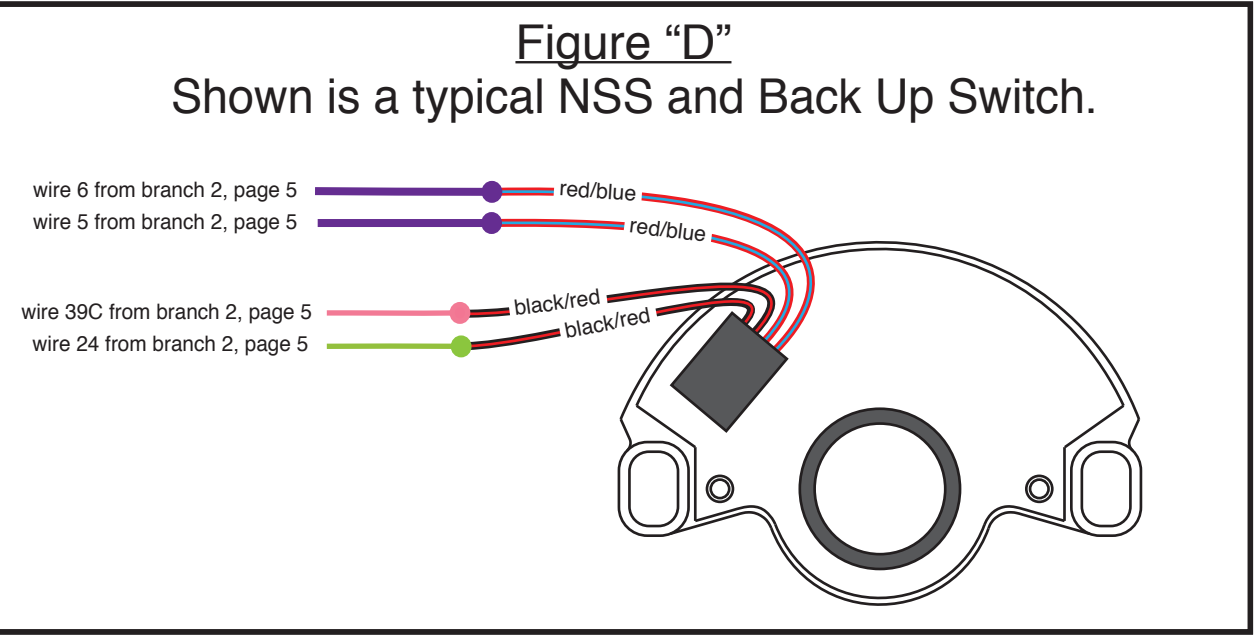
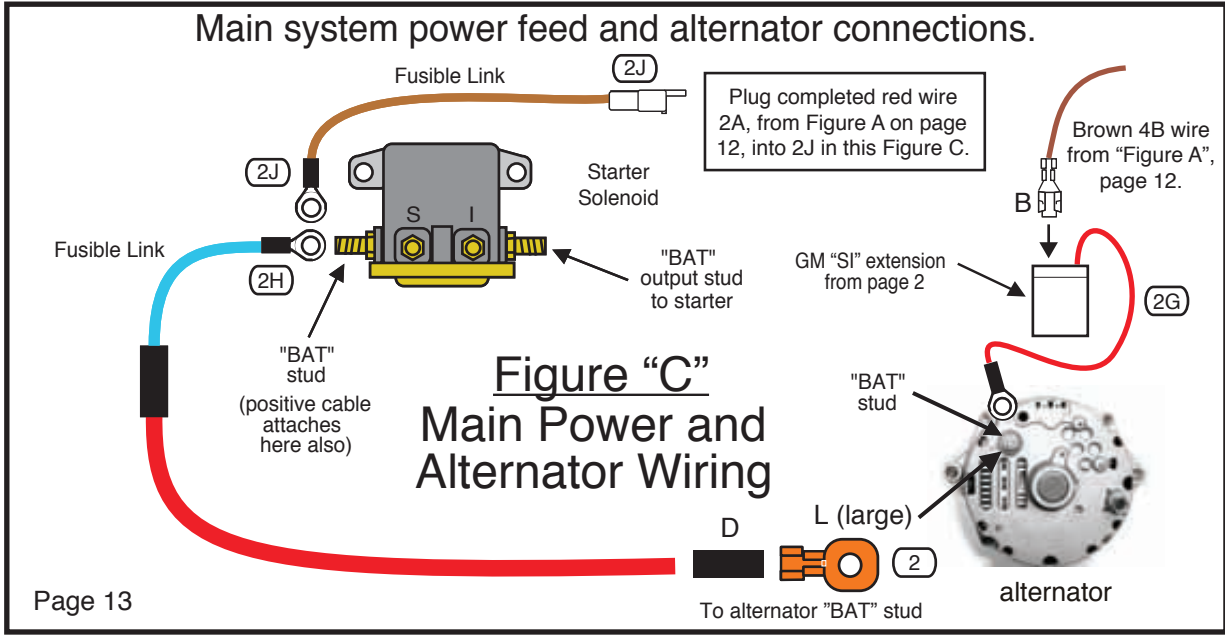
92970710 Rev. 3.0 6/13/2017



NOTE: The terminals and connectors listed on this page and denoted with **UPPER CASE LETTERS**, are to help you complete the various connections to your back-up and NSS switch, ignition feed, engine sensors, electric choke, tachometer and alternator output. They can all be found in your loose piece clamp, parts kit, P/N 510558.

AAW suggests and recommends using pages 5 & 6, to complete the installation of the Driver-Side, upper round hole, Engine Compartment Wiring.

AAW kits are all engineered to be used in conjunction with a high output, later model internally regulated, or one wire alternators. We do not suggest or support the use of a stock low amperage alternator as they do not supply sufficient current to recharge the battery in a highly modified car such as this kit was designed for. AAW suggests a Ford Gen III (3G), a GM "SI", or a 1 wire type alternator as good choices to use. An adapter to complete the connection to the Ford Gen III (3G) style alternator (AAW p/n 500802) may be purchased separately. Contact AAW for your needs.



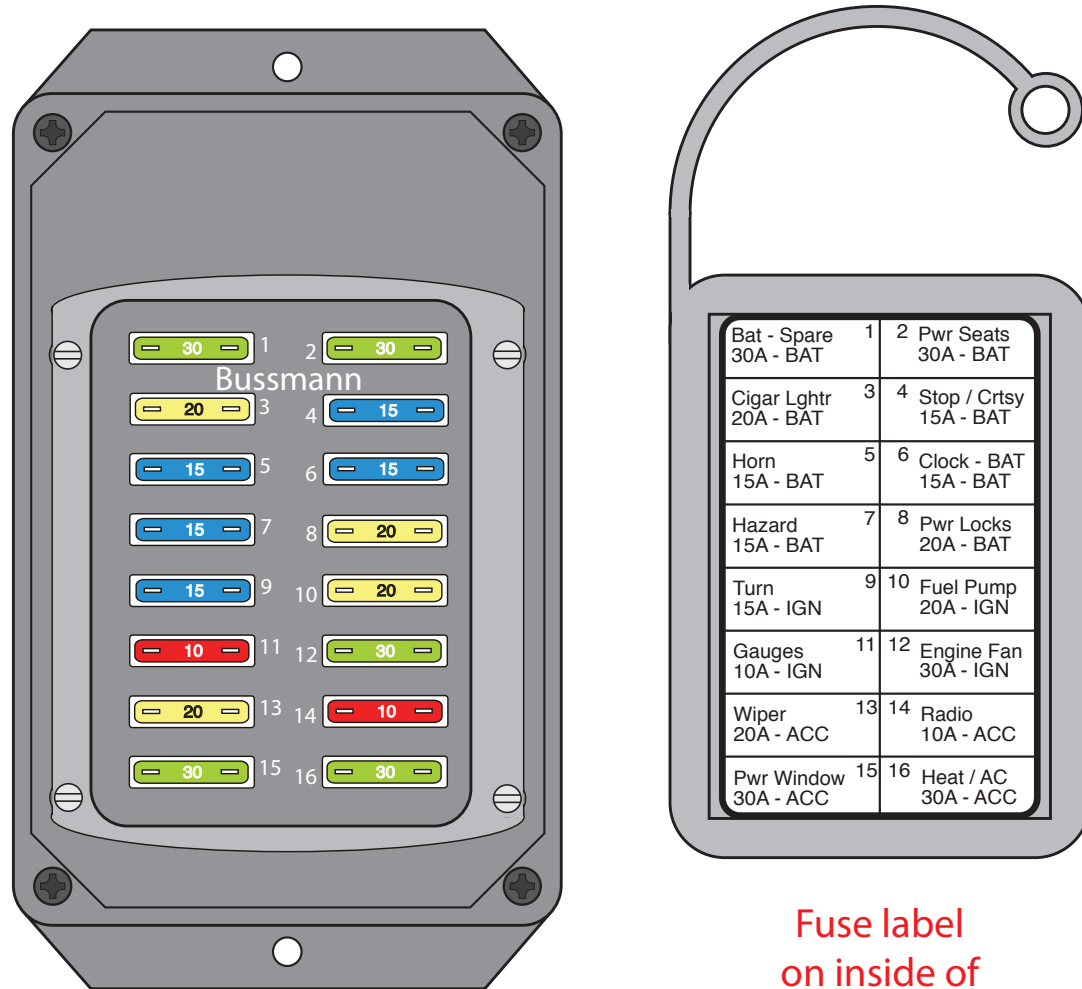
www.americanautowire.com 856-933-0801

PART # **510553**

DESCRIPTION:
1962-65 Ford Fairlane
1962-63 Mercury Meteor
Classic Update Series Kit

92970710 Rev. 3.0 6/13/2017

FUSE LOCATIONS

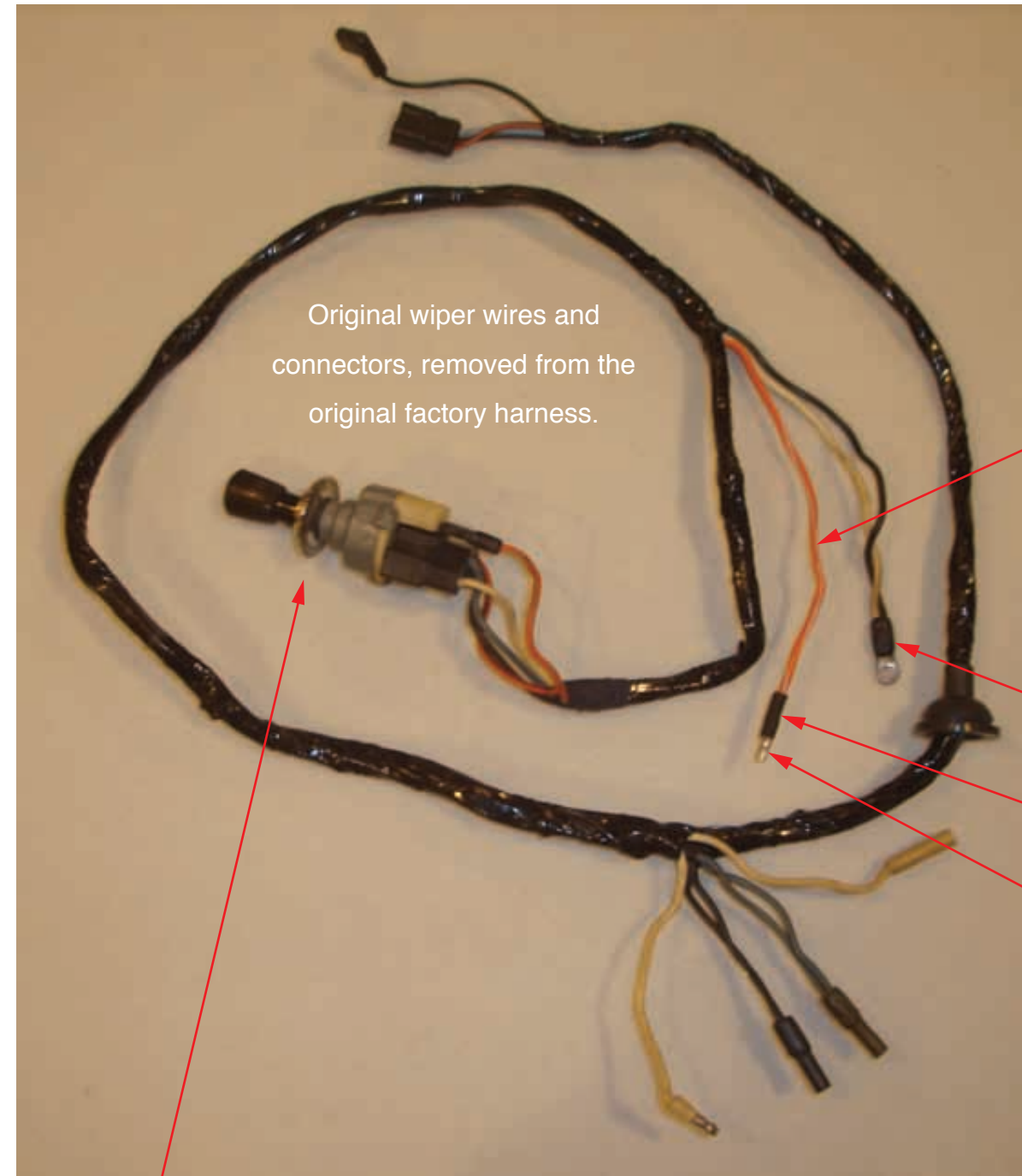


Fuse label
on inside of
Fuse Box lid

NOTE: Above, is an image of the completed Fuse Box assembly, depicting the proper location for the installation of each fuse.

Figure "E"

Shown is 1964-65 Fairlane, single-speed wiper system factory wiring, for reference



Wiper Switch

Cut the orange with a white stripe wire, slide on sleeve J and crimp on terminal H, to this wire. This new male bullet connector, will eventually plug into the mating Wiper female bullet connector (wire 93 on Pg 9), on the Dash Harness.

Attach Ground wires, to Steering Column Support Bracket.

Sleeve J

Terminal H



www.americanautowire.com 856-933-0801

PART # **510553**

DESCRIPTION:
1962-65 Ford Fairlane
1962-63 Mercury Meteor
Classic Update Series Kit

92970710 Rev. 3.0 6/13/2017