

You will use this main instruction sheet, **92971255**, to complete the installation process of bag **G**. See page five of this instruction set and Fuse Block Mounting instruction sheet **92971477** to begin.

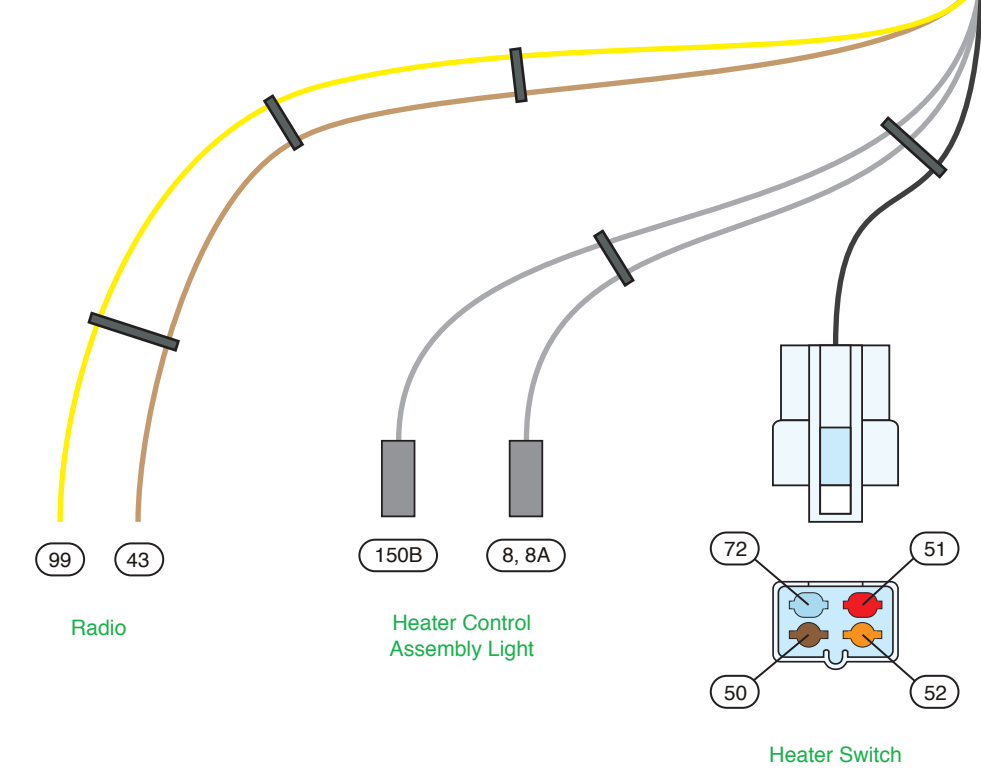
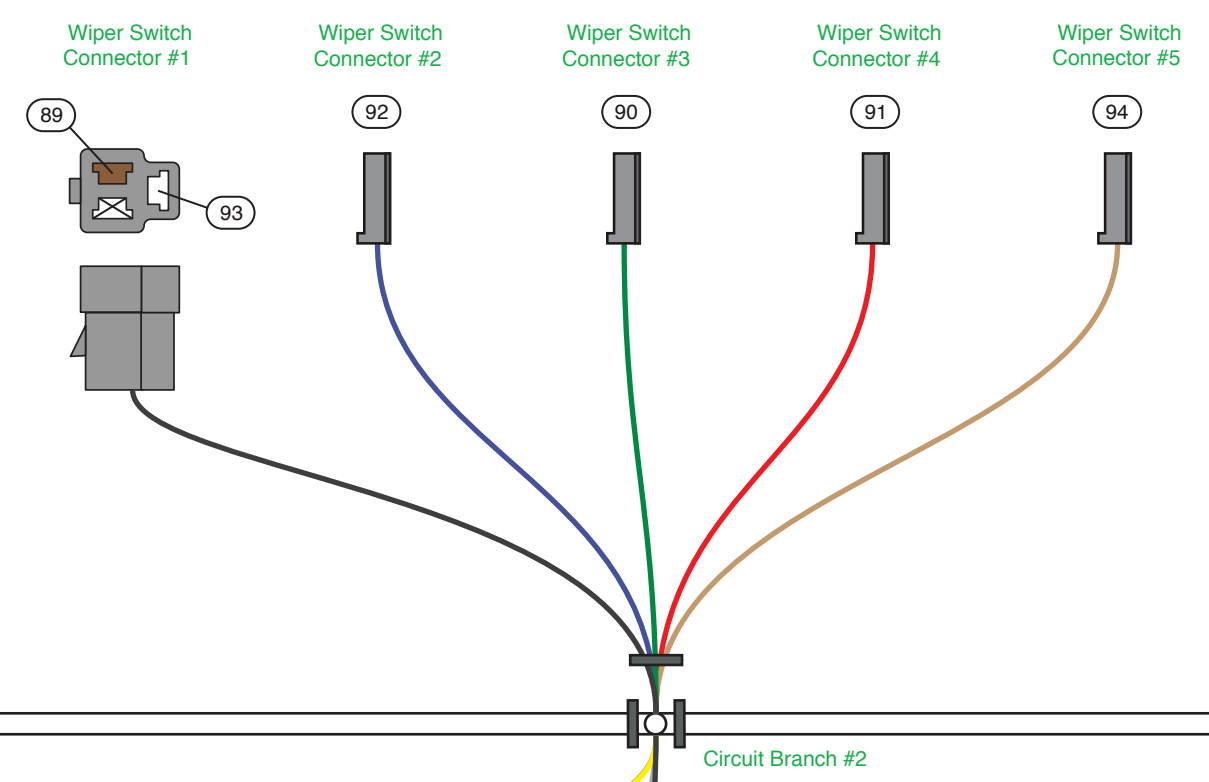
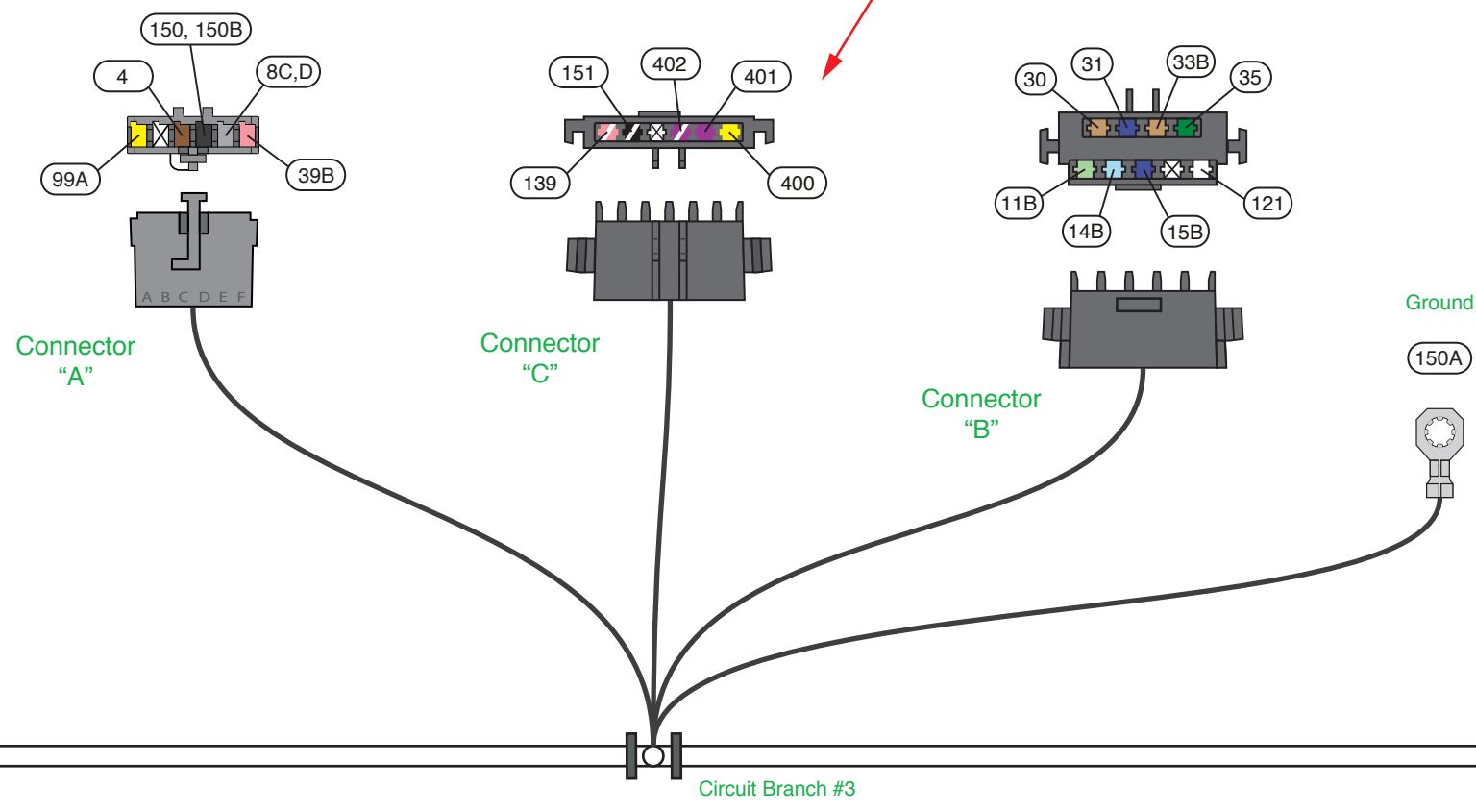
PART # **510604** bag **G**

DESCRIPTION:
1967-75 Mopar A-body Classic Update Series Kit

92971255 Rev. 1.0 1/22/2016

NOTE: wires 400 & 401, must be twisted together.

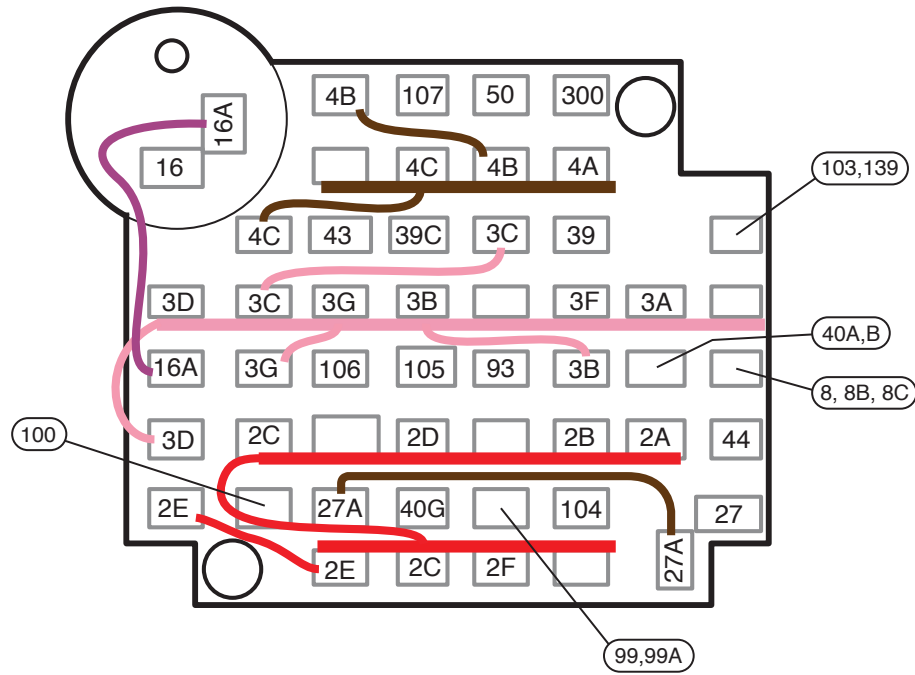
Cluster Connections (electric speed)



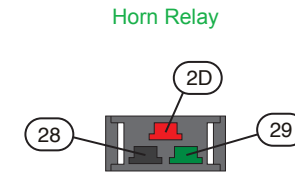
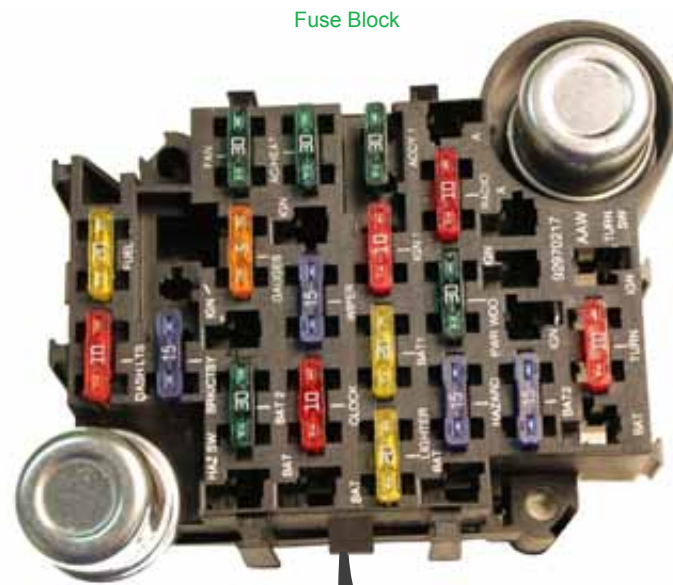
PART # **510604**

DESCRIPTION:
**1967-75 Mopar A-body
 Classic Update Series Kit**

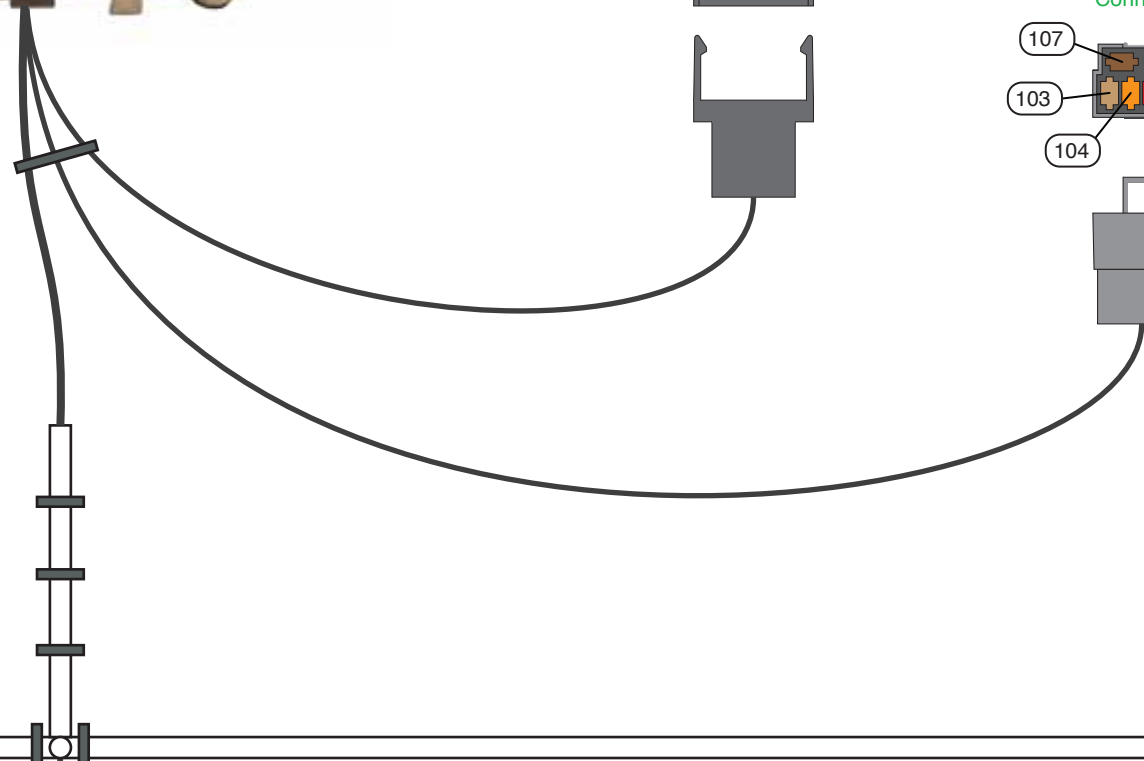
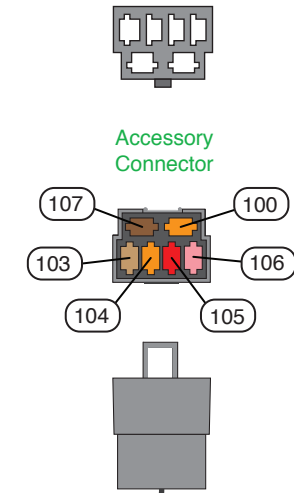
92971255 Rev. 1.0 1/22/2016



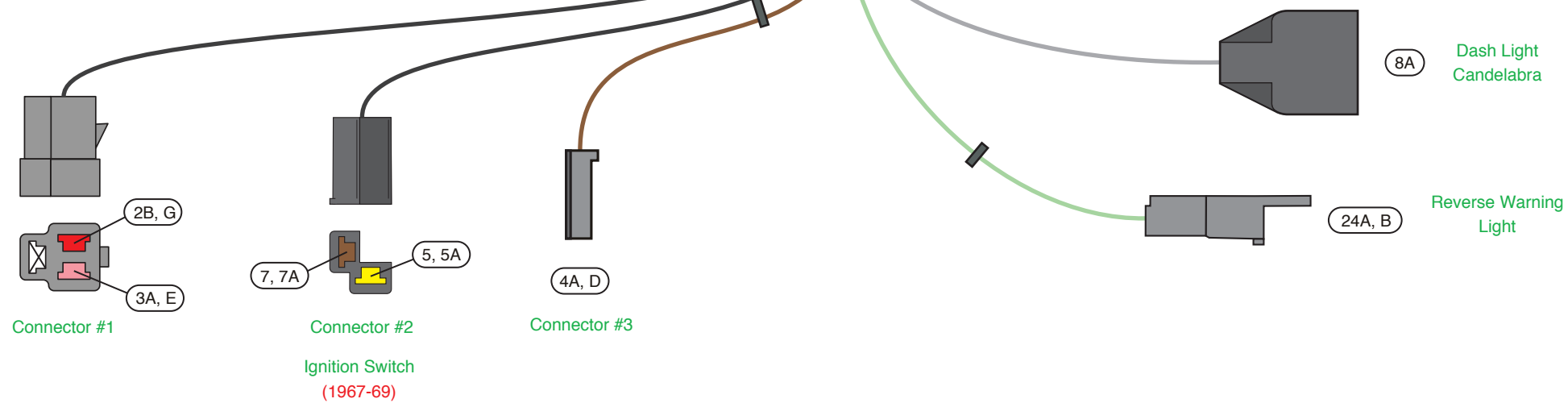
Wiring-side of Fuse Block is shown, for reference.



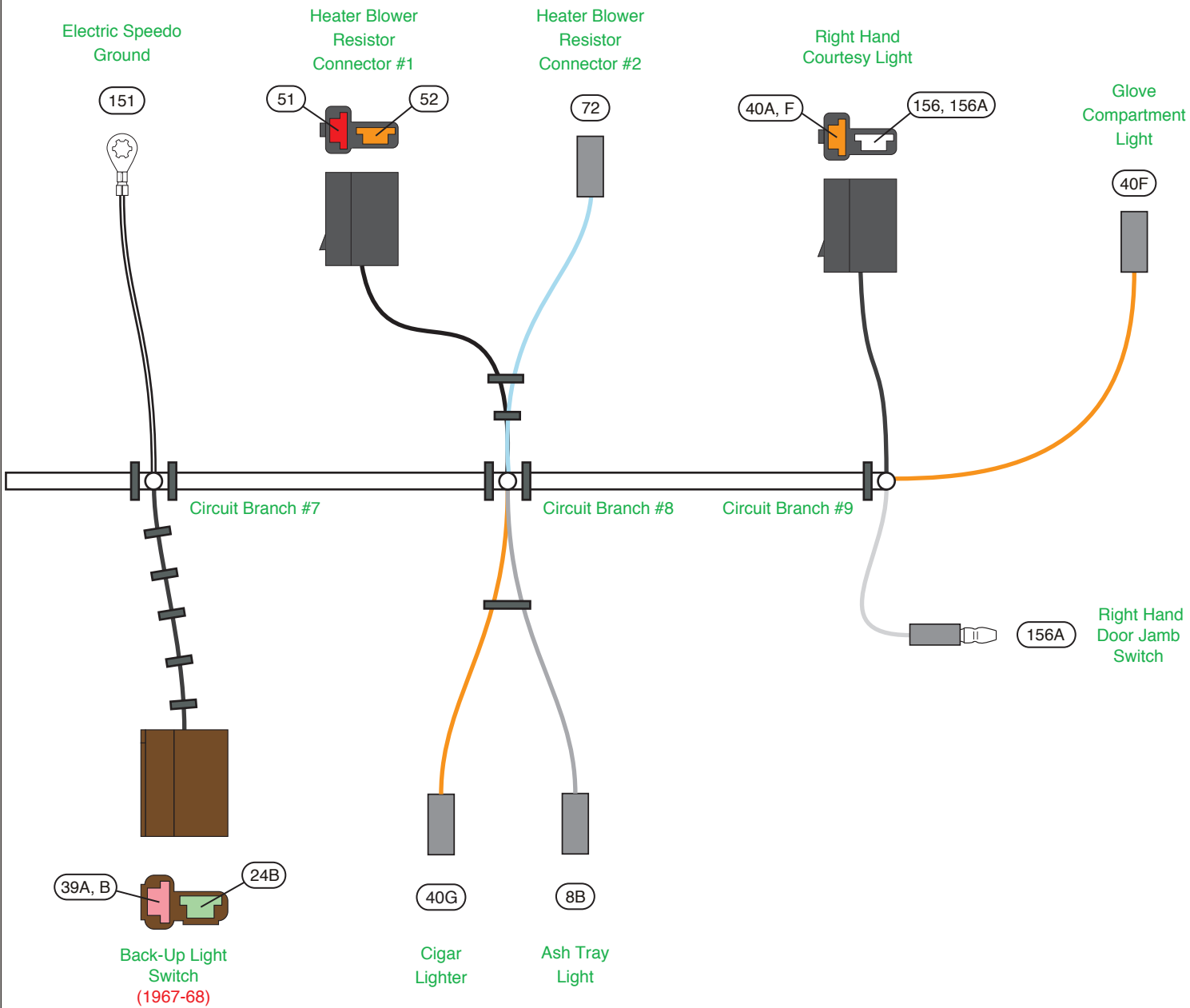
Mating connector is plugged into Accessory Connector





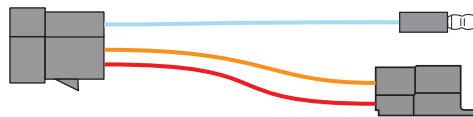

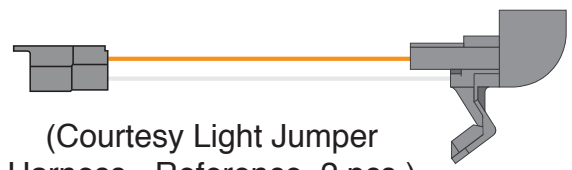
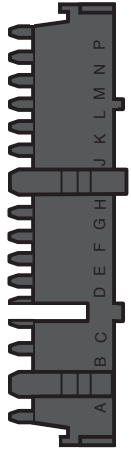

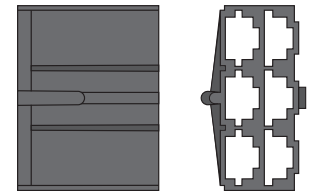
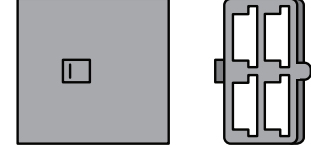
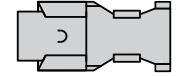
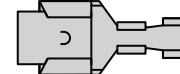
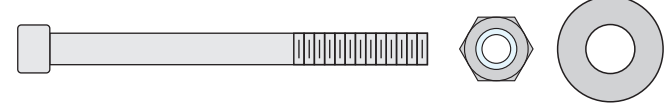
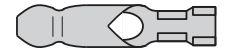

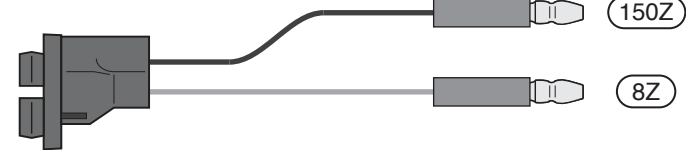

Circuit Branch #1



PART # **510604**
 DESCRIPTION:
**1967-75 Mopar A-body
 Classic Update Series Kit**
 92971255 Rev. 1.0 1/22/2016



Legend:

- A  (1967-74 2-Speed Heater Switch Jumper Harness - Reference, 1 pc.)
- B  (1975 3-Speed Heater Switch Jumper Harness - Reference, 1 pc.)
- C  (1975 3-Speed Blower Resistor Jumper Harness - Reference, 1 pc.)
- D  (Steering Column Ground Jumper Harness - Reference, 1 pc.)
- E  (Courtesy Light Jumper Harness - Reference, 2 pcs.)
- F  (Pack-Con 14-way male connector, 1 pc.)
- G  (Pack-Con male terminal, 12 pcs.)
- H  (6-way female connector, 1 pc.)
- J  (4-way female connector, 1 pc.)
- K  (56 series double female terminal, 15 pcs.)
- L  (56 series single female terminal, 21 pcs.)
- M  (1/4" bolt, nut and washer; 2 of each)
- N  (large male bullet terminal, 4 pcs.)
- P  (rubber sleeve, 4 pcs.)
- Q  (Heater Control Assembly Light Jumper Harness (1973-75) - Reference, 1pc.)
- R  (single female connector, 4 pcs.)

PART # **510604**

DESCRIPTION:
1967-75 Mopar A-body Classic Update Series Kit

92971255 Rev. 1.0 1/22/2016

Note: Prior to installing the Dash Harness, obtain the Fuse, Flasher, and Relay Kit #510353 (located in Bag G) and plug all of the Fuses and Flashers in the Fuse Block (See page 14 for the location of the fuses and flashers). Install the Horn Relay to the Dash Harness (see circuit branch #1).

Fuse Block Attachment

Locate the original factory Bulkhead rectangular hole in the center of the Firewall. The new Fuse Block/Bulkhead Assembly will mount in this Firewall hole. See the Fuse Block Mounting Template drawing 92971477, for mounting the Fuse Block/Bulkhead Assembly.

Steering Column Ground

Obtain the **Steering Column Ground Jumper Harness "D"** from the **Dash Harness Kit Bag G**. See the Legend on page 5 for an illustration of the Jumpers and the wiring components. This 1-wire jumper will replace the existing original ground jumper and will use the same fasteners. Attach item "D" to the Steering Column and to the lower Dash.

Dash Harness Routing

The Dash Harness routing will be the same as the original factory Instrument Panel Wiring Harness routing. Be sure to duplicate this routing. In order to accommodate all A-Body vehicles, extra wire length has been included in the main trunk of the Dash Harness. For the 1967-69 Barracudas, you will have to double back the main trunk of the wiring on itself between Circuit Branch #2 and #3 to effectively reduce the overall length of the wiring. Now proceed to the individual Circuit Branch Instructions below.

Circuit Branch #1

Accessory Connector Use the provided 6-way empty connector, which is attached to the 6-way Accessory connector on the Dash Harness, and terminals "K" and "L" (included in Parts Kit 92971256 in Bag G) to add power wires (not provided) for the following optional systems:

Wire #	Wire Color	Printing	Fuse Block	Fuse Rating	Description
100	Orange	no printing	BAT 3	15A	Battery feed for Audio Systems or any other option that requires a B+ feed.
103	Tan	FUEL PUMP	FUEL	20A	Ignition feed for an Electric Fuel Pump.
104	Orange	POWER SEATS	BAT 2	30A	Battery feed for Power Seats.
105	Red	POWER LOCKS	BAT 1	20A	Battery feed for Power Locks or any option that requires B+.
106	Pink	POWER WINDOWS	PWR WDO	30A	Ignition feed for Power Windows or any option that requires an Ignition feed.
107	Brown	IGNITION SW ACCY	ACCY 1	30A	Accessory feed for Cruise Control or any option that requires an Ignition Accessory feed.

Horn Relay Connector If you haven't already; plug the **Horn Relay** (included in kit #510353 in Bag G) into this connector.

Wire #	Wire Color	Printing	Description
2D	Red	12V BATTERY	12V Battery feed to the Horn Relay.
28	Black	HORN RELAY GROUND	Relay ground circuit to the Steering Column Horn Switch.
29	Dark Green	HORN	Feed to the Horns.

Ignition Switch (1967-69)

For the 1967-69 vehicles, the Ignition Switch is mounted to the Dash. You will connect three different connectors to this switch before you install the switch in the Dash (see adjacent photos).

Ignition Switch Connector #1 This is the 3-way connector with four wires. Plug this connector to the Ignition Switch first, before you plug Connector #2 or Connector #3 to the Ignition Switch. Connect the red wires to the "BAT" terminal, and the pink wires to the "IGN 1" terminal on the Ignition Switch.

Wire #	Wire Color	Printing	Description
2B, G	Red	12V BATTERY	Battery feed from the Fuse Block.
3A, E	Pink	IGNITION FEED	Ignition feed to the Fuse Block.

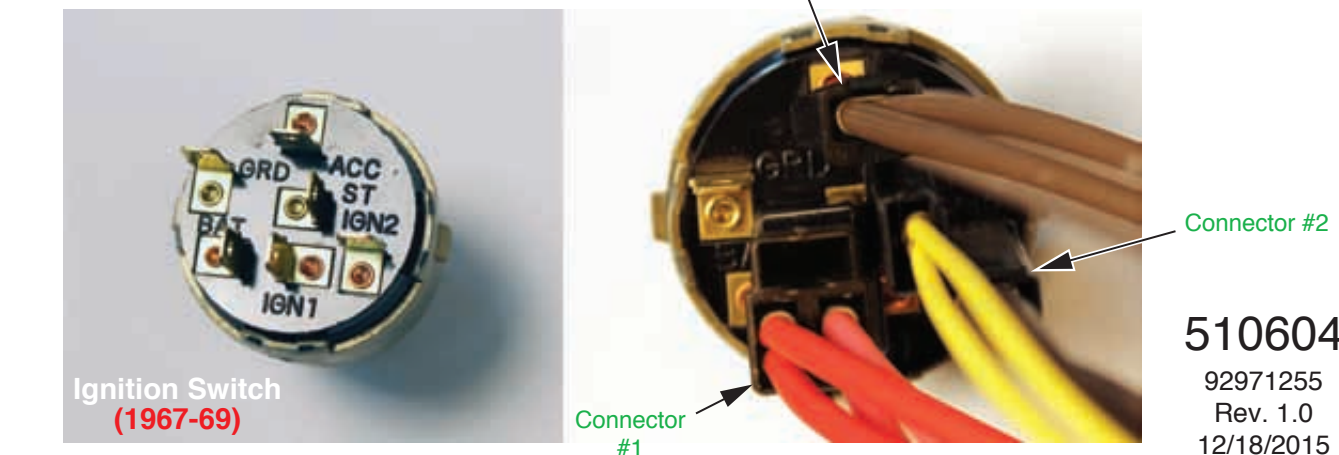
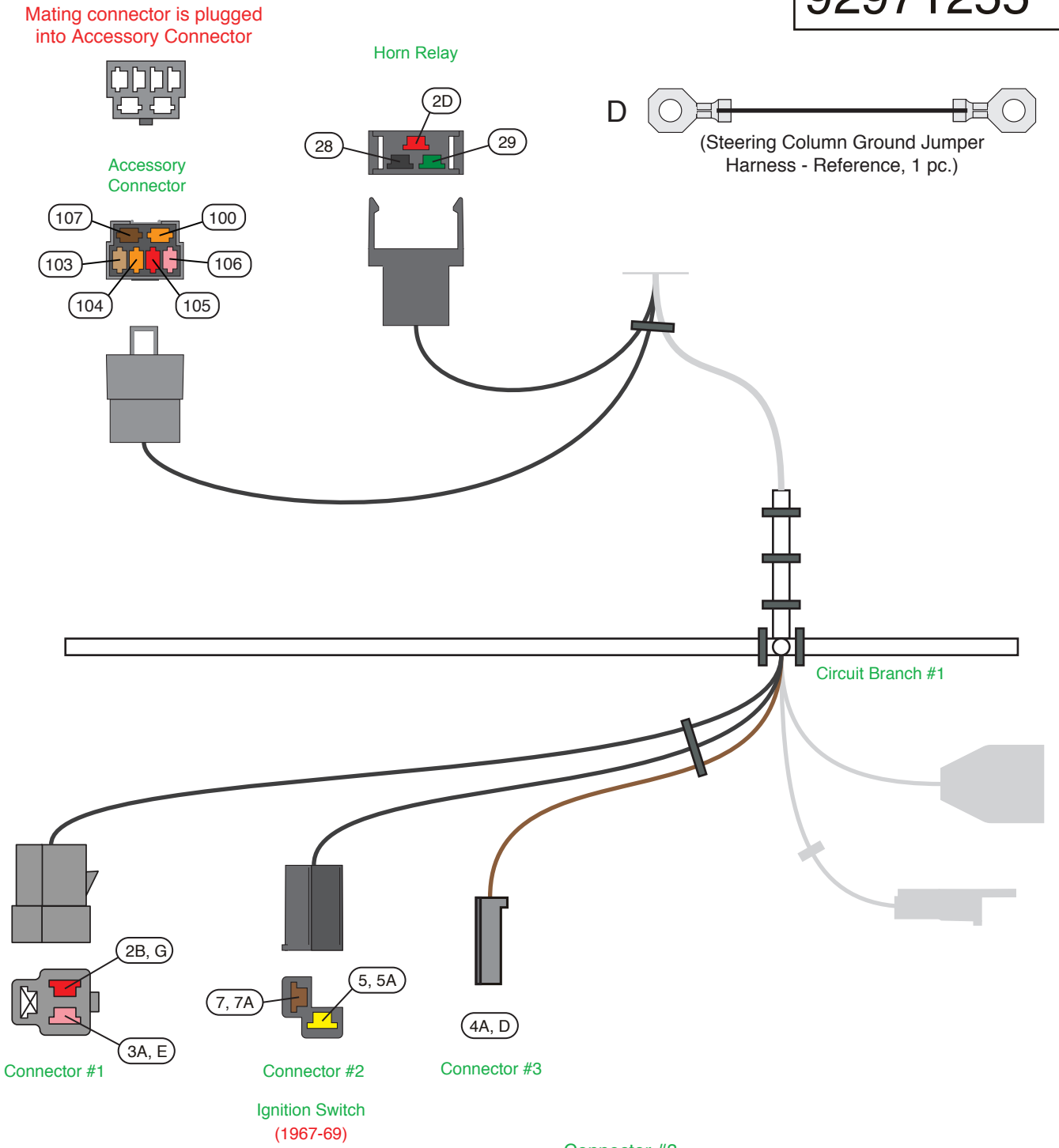
Ignition Switch Connector #2 This is the 2-way connector with four wires. Plug this connector to the Ignition Switch second, before you plug Connector #3 to the Ignition Switch. Plug the yellow wires to the "ST" terminal, and the thin brown wires to the "IGN 2" terminal of the Ignition Switch.

Wire #	Wire Color	Printing	Description
5, 5A	Yellow	no printing	Start feed to the Neutral Safety Switch.
7, 7A	Brown	no printing	Ignition feed during crank to the Ignition Coil.

Ignition Switch Connector #3 This is the 1-way connector with two wires. Plug this connector to the Ignition Switch last. Plug the thick brown wires to the "ACC" terminal of the Ignition Switch.

Wire #	Wire Color	Printing	Description
4A, D	Brown	IGNITION SW ACCY	Ignition Accessory feed to the Fuse Block.

CAUTION: No Ignition Switch wires should be connected to the ground terminal "GRD" of the Ignition Switch.



Dash Light Candelabra This connector provides a connection point for any Illumination Light feed that may be required, such as to the Radio, Tachometer, Ignition Switch Illumination, Floor Console PRNDL Illumination, etc. This is the same circuit as the Instrument Cluster Illumination Lights and will dim when the Headlight Switch knob is rotated. Extra wire length of the gray "DASH LIGHTS" wire (circuit 8) is available in the **Cluster Kit 510605** in **Bag H**. Also, male bullet terminals "N" and sleeves "P" (to plug into the Candelabra Connector) and connectors "R" and terminals "L" to connect to the components, are available in the **Dash Harness Parts Kit 92971256** in **Bag G** for this application.

Wire #	Wire Color	Printing	Description
8A	Gray	DASH LIGHTS	Dash Lights feed wire.

Reverse Warning Light Connector (Manual Transmission Vehicles only) This connector provides a feed to the Reverse Gear Warning Light that is mounted on the lower Dash for Manual Transmission vehicles. Plug the pigtail of your original Reverse Light into this connector.

Wire #	Wire Color	Printing	Description
24A, B	Light Green	BACK UP LT SW © LIGHTS	Feed from the Back-up Light Switch.

Circuit Branch #2

Wiper Switch Markings **Note: See page 14 for photo details of Wiper Switch connections.**

A*	Armature – AAW brown, no printing wire, (circuit 89).
B	12V Accessory Feed – AAW white, "WIPER FEED" wire, (circuit 93).
B or B/U	Two Wiper Switch blade terminals are connected (bussed) together on the switch. This extra terminal on the switch provides a place to plug in a 12V feed wire from the Wiper Switch to the Back-up Light Switch in your original Wire Harness. In your new Dash Harness, no AAW wire is needed, since the Back-up Light Switch feed wire has already been provided.
F1* or H*	Field #1 – AAW red, no printing wire, (circuit 91).
F2* or P2*	Field #2 – AAW dark green, no printing wire, (circuit 90).
P* or P1*	Park – AAW dark blue, no printing wire, (circuit 92).
W	This is the feed to the Washer Pump, AAW tan, no printing wire, (circuit 94). This is an option and the tan wire may not need to be connected.

Note: * these four wires always connect from the Wiper Switch to the Wiper Motor.

Wiper Switch Connector #1 This is the 3-way connector with two wires. Plug this connector to the Wiper Switch first, before you plug Connector #2, #3, #4, or #5 to the Wiper Switch. Connect the white "WIPER FEED" wire to the "B" terminal, and the brown (with no printing) wire to the "A" terminal on the Wiper Switch.

Wire #	Wire Color	Printing	Description
89	Brown	no printing	Armature feed from Wiper Switch to Wiper Motor.
93	White	WIPER FEED	12V feed from Fuse Block to Wiper Switch.

Wiper Switch Connector #2 This is the 1-way connector with the dark blue wire. Plug this connector to the Wiper Switch second. Connect the dark blue (with no printing) wire to the "P or P1" terminal on the Wiper Switch.

Wire #	Wire Color	Printing	Description
92	Dark Blue	no printing	Park feed from the Wiper Switch to the Wiper Motor.

Wiper Switch Connector #3 This is the 1-way connector with the dark green wire. Plug this connector to the Wiper Switch third. Connect the dark green (with no printing) wire to the "F2 or P2" terminal on the Wiper Switch.

Wire #	Wire Color	Printing	Description
90	Dark Green	no printing	Motor Field #1 feed from the Wiper Switch to the Wiper Motor.

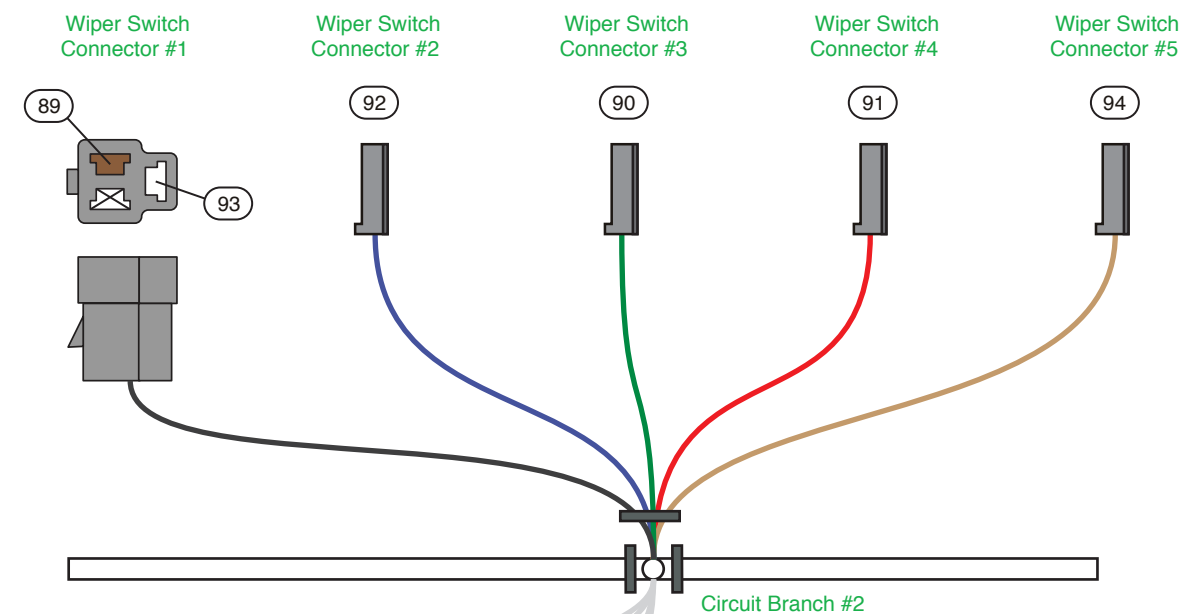
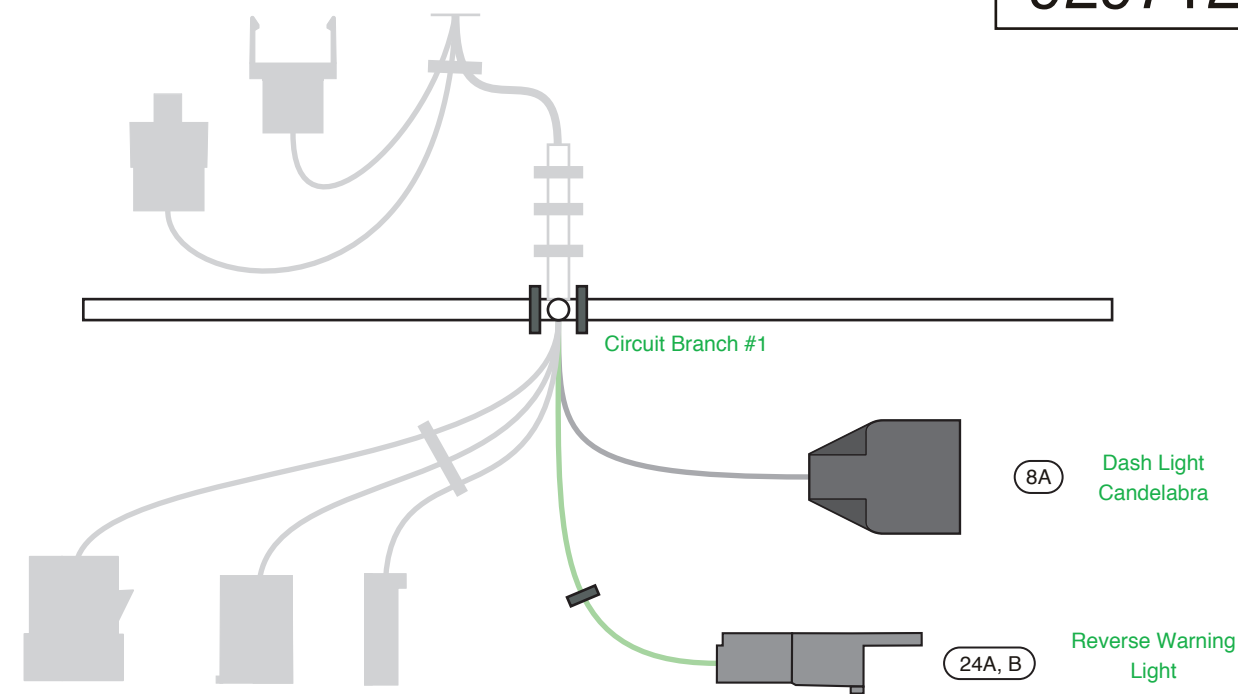
Wiper Switch Connector #4 This is the 1-way connector with the red wire. Plug this connector to the Wiper Switch fourth. Connect the red (with no printing) wire to the "F1 or H" terminal on the Wiper Switch.

Wire #	Wire Color	Printing	Description
91	Red	no printing	Motor Field #2 feed from the Wiper Switch to the Wiper Motor.

Wiper Switch Connector #5 (Optional) **NOTE: If you have an Electric Washer Pump, then you will plug this connector to the Wiper Switch, otherwise it should NOT be connected and should be taped back.**

This is the 1-way connector with the tan wire. Plug this connector to the Wiper Switch last. Connect the tan (with no printing) wire to the "W" terminal on the Wiper Switch.

Wire #	Wire Color	Printing	Description
94	Tan	no printing	Wiper Switch to the electric Washer Pump Motor.



PART # **510604**

DESCRIPTION:
**1967-75 Mopar A-body
 Classic Update Series Kit**

92971255 Rev. 1.0 1/22/2016

Radio Wires These wires are provided for your Radio.

Wire #	Wire Color	Printing	Description
43	Tan	RADIO	12V Fused Accessory Feed to the Radio for "On/Off" power.
99	Yellow	RADIO BAT	12V Fused Battery Feed for the Radio Memory.

Heater Control Assembly Light Jumper Harness "Q" For the 1973-75 vehicles, you will need to obtain the Heater Control Assembly Light Jumper Harness "Q", located in Bag G, and install a #1892 Light Bulb and Filter (neither one included in this kit), and plug the socket into the Heater Control Assembly.

Wire #	Wire Color	Printing	Description
8Z	Gray	DASH LIGHTS	Illumination feed for the Heater Control Assembly Light Bulb.
150Z	Black	GROUND	Ground wire for the Heater Control Assembly Light Bulb.

Heater Control Assembly Light Connectors These connectors are part of your Dash Harness and are provided for your Heater Control Assembly Illumination Light. For the 1973-75 vehicles, you will connect to the Heater Control Assembly Light Jumper harness "Q". For all others, you will plug the connector with the gray wires to the pigtail from the Heater Control Assembly Light.

Wire #	Wire Color	Printing	Description
8, 8A	Gray	DASH LIGHTS	Illumination Light feed wire for the Heater Control Assembly Light.
150B	Black	GROUND	Ground for the Heater Control Assembly Light.

Heater System **Note: There are two different Heater Systems available. For the 1967-74 vehicles, there is a 2-speed system and for the 1975 vehicles, there is a 3-speed system.**

For the 1967-74 vehicles, there is a 2-speed Heater System which consists of a three position Heater Switch (Off, Low, and High), a Blower Motor Resistor, and a Blower Motor. For this system you will need to use the Heater Switch Jumper Harness "A" located in Bag G. Plug this Jumper to the 4-way Heater Switch Connector which is part of the Dash Harness. Plug the other end of the Jumper to the Heater Switch.

NOTE: If you have a 1967 vehicle that has a Heater Switch with a pigtail, that is not removable from the switch, we have provided a 4-way connector "J" and terminals "L" (see Parts Kit 92971256 in Bag G) that should replace your original 3-way connector on this pigtail. Cut the 3-way connector off and crimp on terminal "L" to each of the three wires. Insert the wires into connector "J". Be sure to align the A-Body wire with the corresponding American Autowire (AAW) wire (see wire colors and description below). After attaching this new 4-way connector to your Heater Switch Pigtail, plug this connector to the 4-way Heater Switch Connector on the Dash Harness.

AAW		A-Body
Wire Color	Description	Wire Color
Brown	12V Feed	Black
Red	Low Speed	Light Green
Orange	High Speed	Dark Green
Light Blue	Medium Speed	not used

For the 1975 vehicles, there is a 3-speed Heater System which consists of a four position Heater Switch (Off, Low, Medium, and High), a Blower Motor Resistor, and a Blower Motor. For this system you will need to use the Heater Switch Jumper Harness "B" located in Bag G. Plug this Jumper to the 4-way Heater Switch Connector which is part of the Dash Harness. Plug the other end of the Jumper to the Heater Switch.

Heater Switch Connector This 4-way connector is part of the Dash Harness.

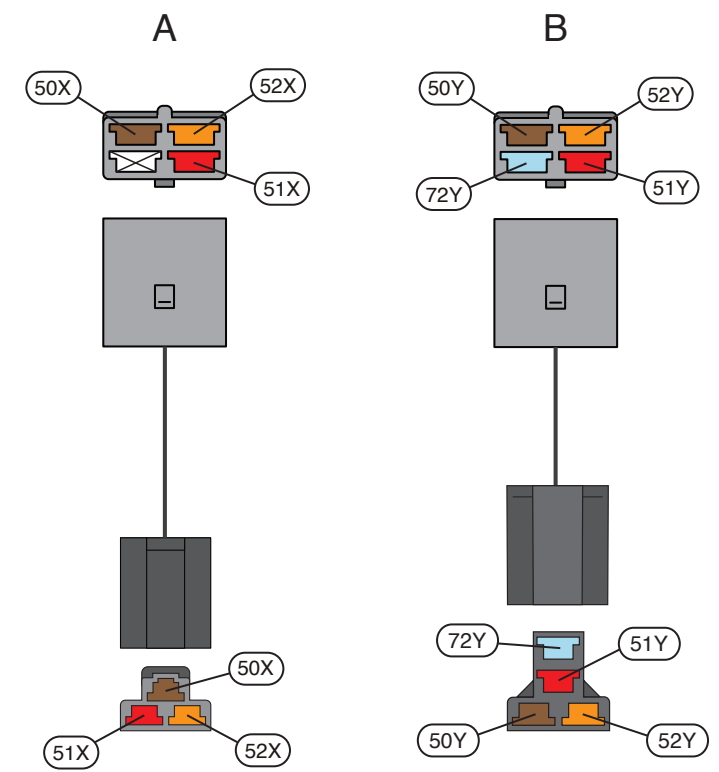
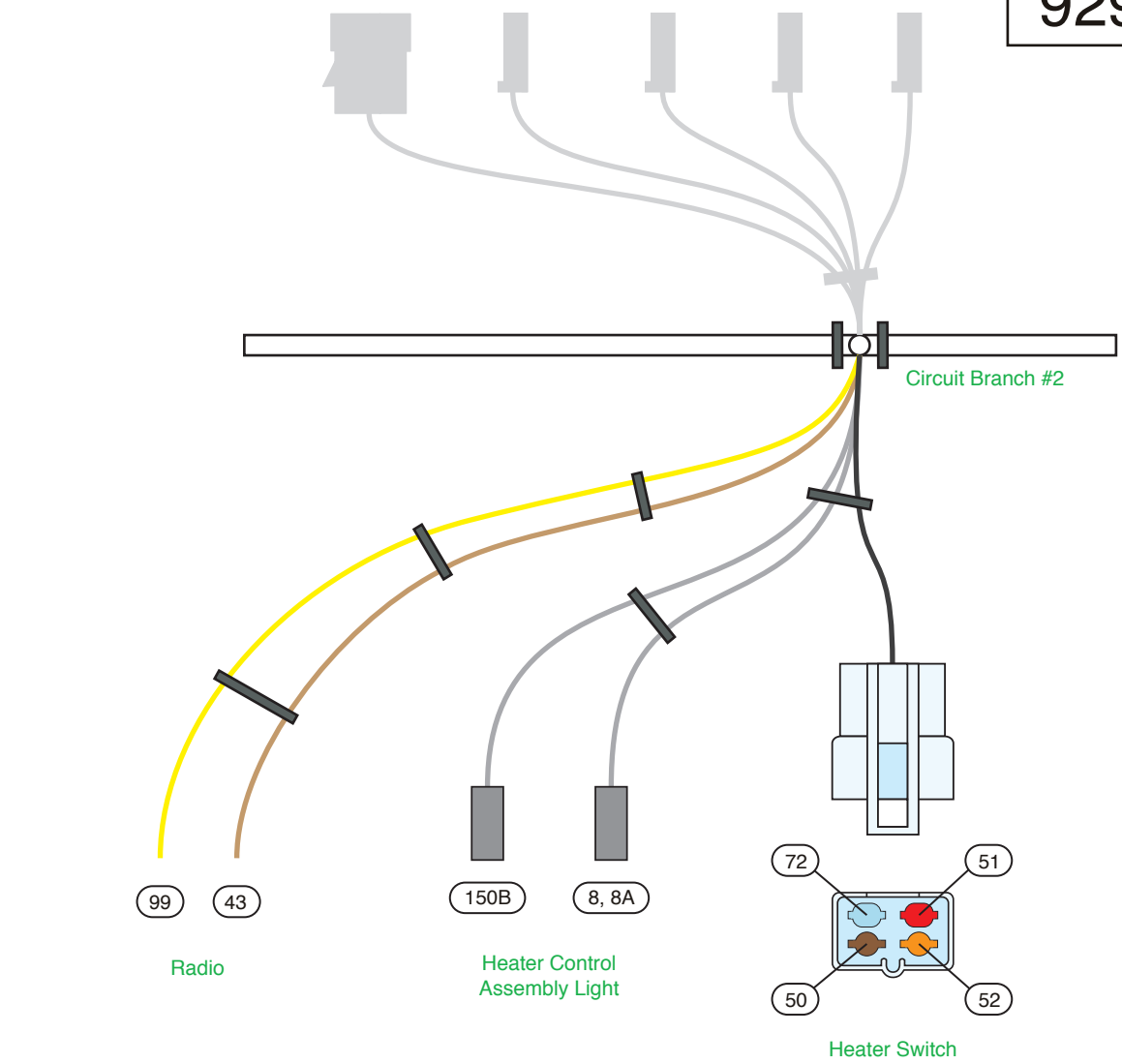
Wire #	Wire Color	Printing	Description
50	Brown	HEATER/AC FEED	12V feed from the Fuse Block.
51	Red	no printing	Low Speed.
52	Orange	no printing	High Speed.
72	Light Blue	no printing	Medium Speed.

Heater Switch Jumper Harness "A"

Wire #	Wire Color	Printing	Description
50X	Brown	HEATER/AC FEED	12V Feed.
51X	Red	no printing	Low Speed.
52X	Orange	no printing	High Speed.

Heater Switch Jumper Harness "B"

Wire #	Wire Color	Printing	Description
50Y	Brown	HEATER/AC FEED	12V Feed.
51Y	Red	no printing	Low Speed.
52Y	Orange	no printing	High Speed.
72Y	Light Blue	no printing	Medium Speed.



PART # **510604**

DESCRIPTION:
1967-75 Mopar A-body Classic Update Series Kit

92971255 Rev. 1.0 1/22/2016

Circuit Branch #3

Instrument Cluster Connections These connectors will plug into the connectors of the **Gauge Cluster Kit 510605**.

Cluster Connector "A"

Wire #	Wire Color	Printing	Description
4	Brown	no printing	Cluster 12V Ignition Accessory feed.
8C, D	Gray	DASH LIGHTS	Fused 12V from the Fuse Block for the Cluster Illumination Lights.
39B	Pink	12V IGNITION	Fused 12V Ignition feed.
99A	Yellow	CLOCK BAT	Battery feed to the Clock.
150, 150B	Black	GROUND	Cluster ground.

Cluster Connector "B"

Wire #	Wire Color	Printing	Description
11B	Light Green	HI BEAM INDICATOR LIGHT	Feed to the High Beam Indicator Light.
14B	Light Blue	LEFT DASH IND	Feed for the Left Turn Signal Indicator Light.
15B	Dark Blue	RIGHT DASH IND	Feed for the Right Turn Signal Indicator Light.
30	Tan	GAS GAUGE	Fuel Gauge Signal from the Fuel Tank Sending Unit.
31	Dark Blue	OIL PRESSURE SENDER	Oil Pressure Sender Signal from the Engine.
33B	Tan	BRAKE LIGHT/SWITCH	Brake Warning Light Signal to ground.
35	Dark Green	WATER TEMP SENDER	Water Temperature Sender Signal from the Engine.
121	White	COIL --> TACH	Tachometer feed to the Ignition Coil.

Cluster Connector "C" This connector contains the wires for an Aftermarket Electric Speedometer. **NOTE: Wires "400" and "401" must remain twisted together.**

Wire #	Wire Color	Printing	Description
139	Pink/White	SPEEDO POWER	Fused 12V feed for the Electric Speedometer.
151	Black/White	SPEEDO GROUND	Electric Speedometer Ground.
400	Yellow	VSS GROUND	Vehicle Speed Sensor Ground.
401	Purple	VSS SIGNAL	Vehicle Speed Sensor Signal.
402	Purple/White	VSS POWER	Vehicle Speed Sensor Power.

Ground **NOTE: Be sure to attach this ground ring terminal to a good vehicle ground. If not attached to ground, your Dome, Courtesy and Cluster Lights may not be functional.**

Wire #	Wire Color	Printing	Description
150A	Black	GROUND	Ground wire.

Circuit Branch #4

Headlight Switch Connector Plug this connector onto the **Headlight Switch 510428** located in **Bag G**, and connect. Now attach the Headlight Switch to the Dash.

Wire #	Wire Color	Printing	Description
2F	Red	12V BATTERY	Battery feed to the Headlight Switch for the Headlights.
9A	Brown	PARK LIGHTS	Feed to the Front Park Lights
10	Yellow	DIMMER SW FEED	Feed to the Dimmer Switch.
40B, C	Orange	12V BATTERY-FUSED	Fused Battery feed to the Headlight Switch for the Park Lights and the Courtesy Lights.
44	Dark Green	no printing	Headlight Switch feed to the Fuse Block for the Dash Lights.
156, 156B	White	CTSY GROUND	Courtesy Light/Dome Light ground through the Headlight Switch.

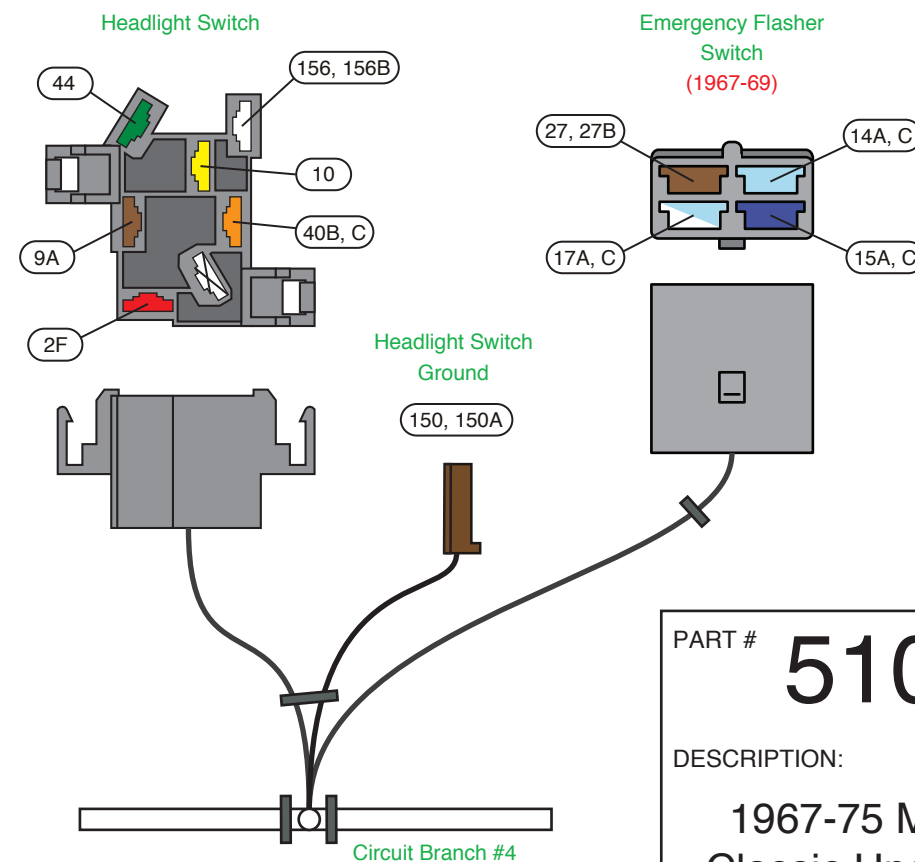
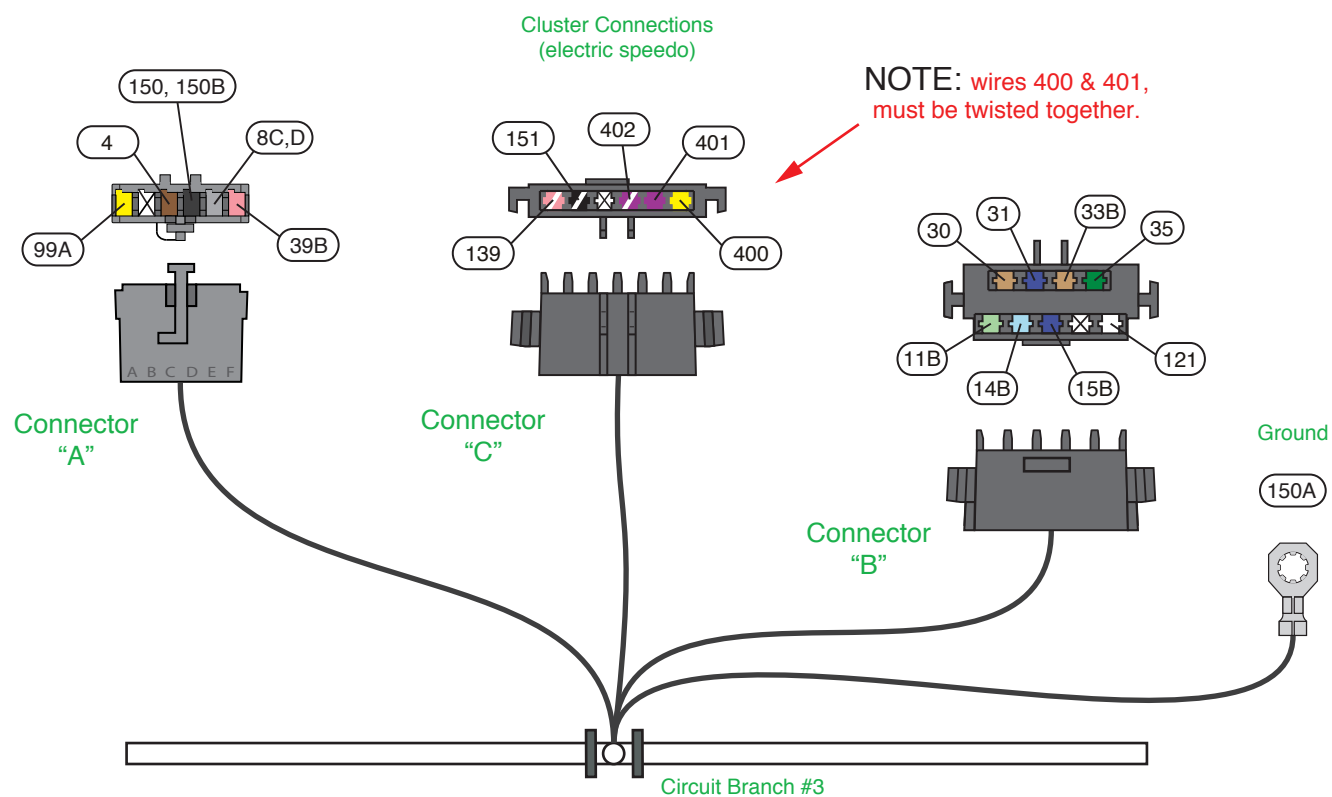
Headlight Switch Ground Connector Connect to the Ground Tab of the Headlight Switch **510428**.

Wire #	Wire Color	Printing	Description
150, 150A	Black	GROUND	Ground for the Headlight Switch.

Emergency Flasher Switch (1967-69) **NOTE: This standalone Emergency Flasher Switch is only available on the 1967-69 vehicles. For 1970 and beyond, this switch is integral with the Steering Column and will not be used and the wiring connector can be taped back.**

Emergency Flasher Switch Connector (1967-69) Plug the Emergency Flasher Switch Connector to your Emergency Flasher Switch.

Wire #	Wire Color	Printing	Description
14A, C	Light Blue	LEFT FRONT TURN	Feed to the LH Turn Signal Light and to the Turn Signal Switch.
15A, C	Dark Blue	RIGHT FRONT TURN	Feed to the RH Turn Signal Light and to the Turn Signal Switch
17A	White	BRAKE SW	Feed from the Stop Light Switch.
17C	Light Blue	THIRD BRAKE LIGHT	Feed to the Third Brake Light.
27, 27B	Brown	TURN SW – HAZARD	Feed from the Hazard Flasher.



PART # **510604**

DESCRIPTION:
1967-75 Mopar A-body Classic Update Series Kit

92971255 Rev. 1.0 1/22/2016

Circuit Branch #5

Left Hand Door Jamb Switch Connector Route the Left Hand Door Jamb Switch Connector into the Side Cowl and through the Door Jamb Switch Hole and connect to the Door Jamb Switch (**not included in this kit**). **Door Jamb Switch #500100** is available from AAW. This self-tapping Door Jamb Switch will fit into a 3/8"-24 hole.

Wire #	Wire Color	Printing	Description
156D	White	CTSY GROUND	LH Switched Ground for the Courtesy/ Dome Lights.

Left Hand Courtesy Light Plug the 2-way Left Hand Courtesy Light Connector, which is part of the Dash Harness, into one of the **Courtesy Light Jumper Harnesses "E"** (located in **Bag G**). Attach the **Courtesy Light Jumper Harness "E"** to the LH lower Outer Dash. **NOTE: This Courtesy Light utilizes a #631 Bulb (which is not included in this kit).**

Wire #	Wire Color	Printing	Description
40C, D	Orange	12V BATTERY – FUSED	12V Battery feed to the LH Courtesy Light.
156C, D	White	CTSY GROUND	Ground for the LH Courtesy Light.

Dimmer Switch Connector Route this wiring branch to the **Dimmer Switch 500042** (located in **Bag G**) and connect. Now attach the Dimmer Switch to the floor pan in the original location.

Wire #	Wire Color	Printing	Description
10	Yellow	DIMMER SW FEED	Feed from the Headlight Switch.
11A	Light Green	HEADLIGHT-HI BEAM	Feed to the High Beam Headlights.
11B	Light Green	HI BEAM INDICATOR	Feed to the High Beam Indicator Light in the Instrument Cluster.
12	Tan	HEADLIGHT-LOW BEAM	Feed to the Low Beam Headlights.

Rear Body Connector This 9-way connector will plug into the 9-way connector of the **Rear Body Harness Kit 510608**.

Wire #	Wire Color	Printing	Description
9B	Brown	REAR RUNNING LIGHTS	Feed for the Tail Lights, License Light, and the Rear Side Marker Lights.
17C	Light Blue	THIRD BRAKE LIGHT	Feed for an aftermarket Third Brake Light.
18	Yellow	LEFT REAR TURN	Feed to the Left Rear Stop and Turn Light.
19	Dark Green	RIGHT REAR TURN	Feed to the Right Rear Stop and Turn Light.
24	Light Green	BACK UP LT SW ® LIGHTS	Feed from the Back-up Light Switch to the Back-up Lights.
30	Tan	GAS GAUGE	Fuel Tank Sender.
40D	Orange	12V BATTERY-FUSED	Feed to the Dome Light or C-Pillar Lights.
40E	Orange	BRAKE SW	12V Battery Feed to the Stop Light Switch
156B, C	White	CTSY GROUND	Dome Light ground to the Headlight/ LH Courtesy Light Switches.

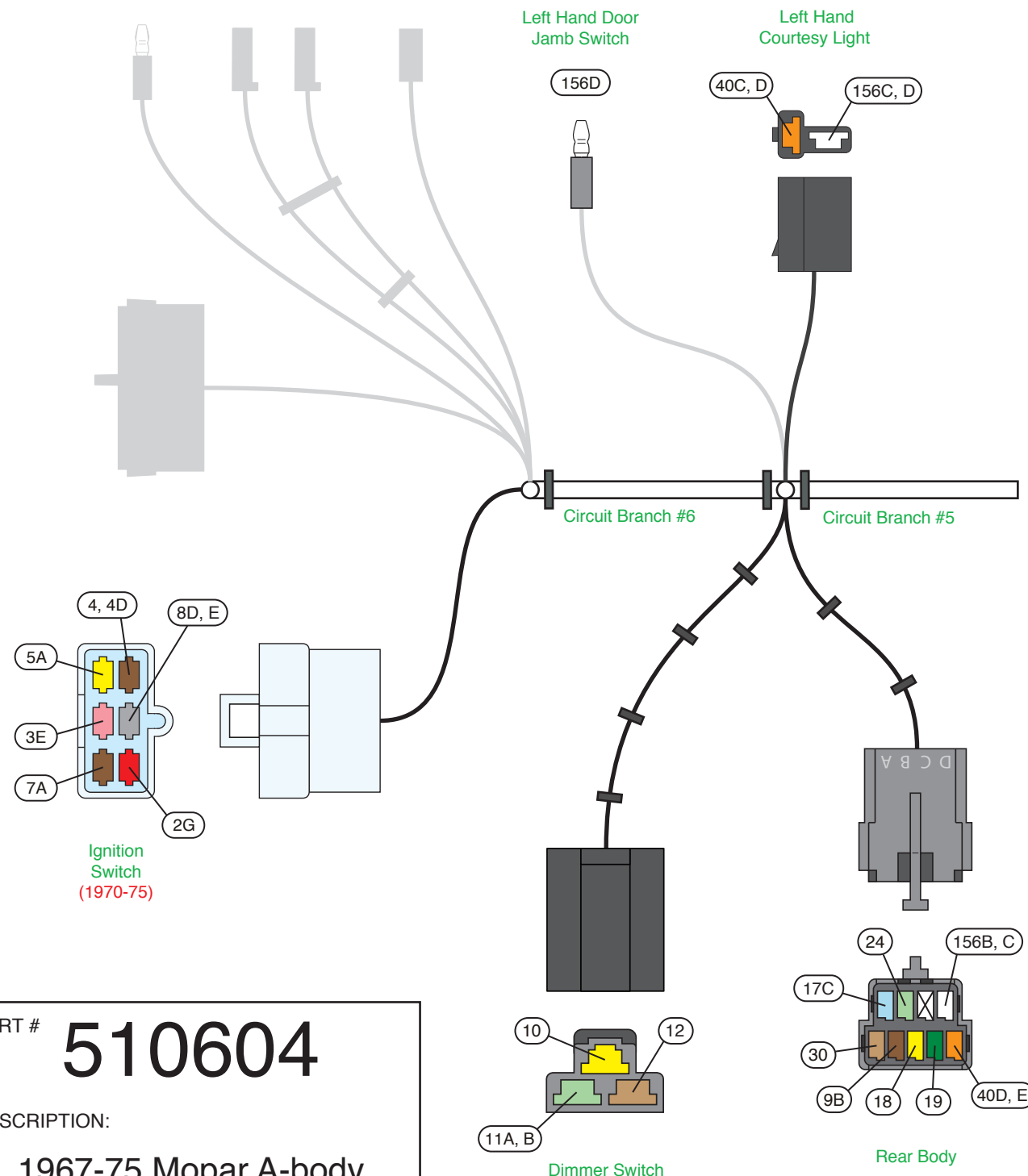
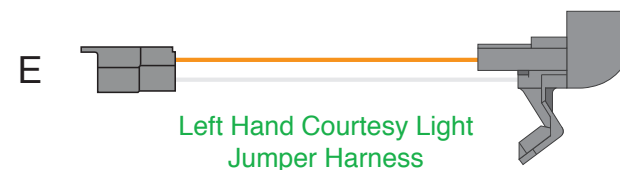
Circuit Branch #6

Ignition Switch (1970-75) **NOTE: For the 1970-75 vehicles, the Ignition Switch is mounted to the Steering Column. You will continue to use this original Ignition Switch, but will have to remove the original connector(s) from the pigtail and replace the connector(s) with the black 6-way connector "H" and terminals "K" and "L" (from Parts Kit 92971256 in Bag G). See "Table A" on page 13 for details. Note: the additional two thin red wires in the Ignition Switch pigtail are for the Key-in Ignition Warning Buzzer and will not be used.**

Ignition Switch Connector (1970-75 Vehicles) Once you have modified the original Ignition Switch Pigtail by adding the black 6-way connector "H", obtain the white 6-way Ignition Switch connector, which is part of the Dash Harness, and plug it into the black 6-way connector "H" of the Ignition Switch.

Wire #	Wire Color	Printing	Description
2G	Red	12V BATTERY	12V Battery Feed.
3E	Pink	IGNITION FEED	12V Ignition Feed.
4	Brown	no printing	12V Accessory Feed.
4D	Brown	IGNITION SW ACCY	12V Accessory Feed.
5A	Yellow	no printing	Start circuit.
7A	Brown	no printing	Resistor Bypass.
8D, E	Gray	DASH LIGHTS	Illumination Light feed wire to the PRNDL Light on the Steering Column (if so equipped).

NOTE: The Courtesy Light Jumper Harness, from Page 5, that plugs onto the connector at branch 5 on this page, uses a # 631 bulb (**not included with this kit**). They may be purchased at any auto parts store.



PART # **510604**

DESCRIPTION:
1967-75 Mopar A-body Classic Update Series Kit

92971255 Rev. 1.0 1/22/2016

Turn Signal Switch **NOTE: For all of the vehicles, the Turn Signal Switch is mounted to the Steering Column. You will continue to use this original Turn Signal Switch, but will have to remove the original connector from the pigtail and replace this connector with the black 14-way connector "F" and terminals "G" (located in Parts Kit 92971256 in Bag G). See "Diagram A", "Diagram B" and "Table B" on page 13 for details.**

Turn Signal Switch Connector Once you have modified the original Turn Signal Switch Pigtail by adding the black 14-way male connector "F", obtain the 11-way Turn Signal Switch connector, which is part of the Dash Harness and plug it into the 14-way connector "F" of the Ignition Switch.

Wire #	Wire Color	Printing	Description
8E	Gray	DASH LIGHTS	Steering Column PRNDL Light Illumination feed for the 1967-69 vehicles.
14C	Light Blue	LEFT FRONT TURN	Left Front Turn Signal feed.
15C	Dark Blue	RIGHT FRONT TURN	Right Front Turn Signal feed.
16	Purple	TURN SWITCH FEED	Turn Signal Switch feed from the Turn Signal Flasher.
17B	White	BRAKE SW	Brake Switch feed to the Turn Signal Switch.
18	Yellow	LEFT REAR TURN	Feed to the Left Rear Turn Signal Light.
19	Dark Green	RIGHT REAR TURN	Feed to the Right Rear Turn Signal Light.
27B	Brown	TURN SW – HAZARD	Feed from the Hazard Flasher.
28	Black	HORN RELAY	Ground from the Horn Relay to the Horn Switch.

Park Brake Switch Connector Wire from the Brake Warning Light to the Park Brake Switch.

Wire #	Wire Color	Printing	Description
33A	Tan	BRAKE LIGHT/SWITCH	Wire from the Brake Warning Light to the Park

Stop Light Switch Connectors Connect these two 1-way connectors to the Brake Pedal Switch; polarity doesn't matter.

Wire #	Wire Color	Printing	Description
17A, B	White	BRAKE SW	Brake Switch feed to the Turn Signal Switch.
40E	Orange	BRAKE SW	12V Battery Fused feed from the Fuse Block.

Clutch Switch (1970-75 with Manual Transmission) **NOTE: For the 1970-75 vehicles equipped with a Manual Transmission, when the Clutch Pedal is depressed, the Clutch Switch will provide a ground path for the ground "G" terminal of the Starter Relay through wire 155. This will allow the Engine to crank when the Ignition Switch is rotated to the Start position. For the 1967-69 vehicles, this Clutch Switch Connector can be taped back.**

Clutch Switch Connector (1970-75) Connect the Clutch Switch connector to the Clutch Switch.

Wire #	Wire Color	Printing	Description
155	Black	no printing	Ground wire to the Clutch switch.

Circuit Branch #7

Aftermarket Electric Speedometer Ground **Note: Do not attach this ring terminal with any other ground ring terminal; it must be grounded all by itself to a good vehicle ground.**

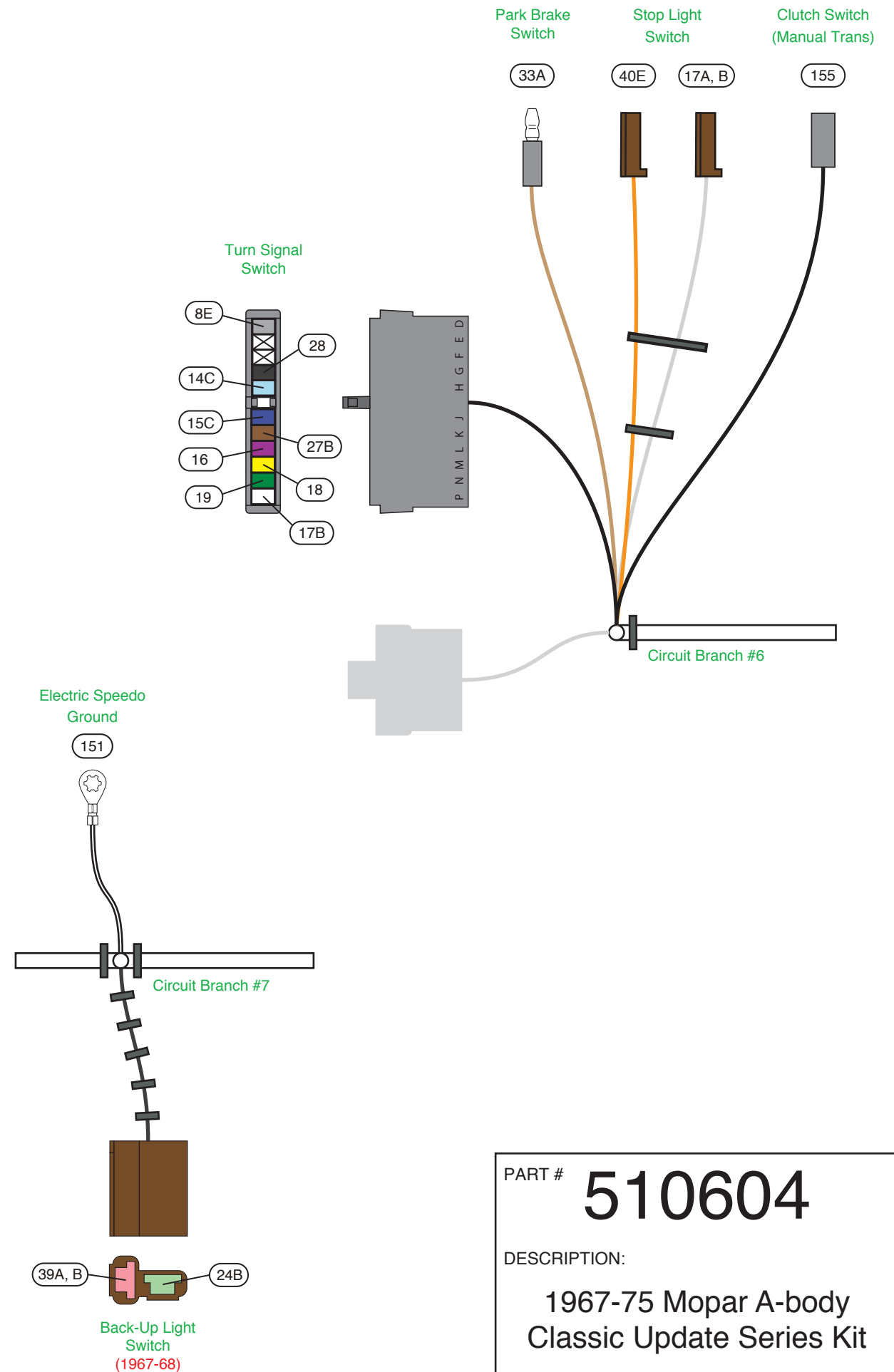
Electric Speedo Ground Attach this wire to a good vehicle ground.

Wire #	Wire Color	Printing	Description
151	Black/White	SPEEDO GROUND	Ground for an Aftermarket Electric Speedometer.

Back-up Light Switch with A/T (1967-69) **NOTE: For the 1967-68 vehicles (and some early 1969 vehicles) with an Automatic Transmission, the Back-up Light Switch is located on the Shifter (either Column or Floor). For all other vehicles, this Back-up Light Switch Connector is not used and can be taped back.**

Back-up Light Switch Connector (1967-69) Extra wire length has been provided so that you can route this 2-way connector to either the Steering Column Shifter or the Floor Mounted Shifter, route and connect. If you require two 1-way connectors instead of the 2-way connector that is presently on the Dash Harness for the Back-up Light Switch, individual 1-way connectors "R" and terminals "L" have been provided in the **Parts Kit 92971256 in Bag G**.

Wire #	Wire Color	Printing	Description
24B	Light Green	BACK UP LT SW -> LIGHTS	Feed wire to the Back-up Lights.
39A, B	Pink	12V IGNITION	12V Ignition feed from the Fuse Block.



PART # **510604**

DESCRIPTION:

**1967-75 Mopar A-body
Classic Update Series Kit**

92971255 Rev. 1.0 1/22/2016

Circuit Branch #8

Heater System Blower Resistor

Note: There are two different Heater Systems available. For the 1967-74 vehicles, there is a 2-speed system and for the 1975 vehicles, there is a 3-speed system.

For the 1967-74 vehicles, there is a 2-speed Heater System which consists of a three position Heater Switch (Off, Low, and High), a two terminal Blower Motor Resistor, and a Blower Motor. For this system you will just connect the 2-way Heater Blower Resistor Connector #1, which is part of your Dash Harness, directly to the Blower Resistor. **NOTE: You will not use the Heater Blower Resistor Connector #2 and can tape it back.**

For the 1975 vehicles, there is a 3-speed Heater System which consists of a four position Heater Switch (Off, Low, Medium, and High), a three terminal Blower Motor Resistor, and a Blower Motor. For this system, you will need to use the 3-Speed Blower Resistor Jumper Harness "C" from Bag G. Plug this Jumper Harness to the Heater Blower Resistor Connectors #1 and #2 which are part of the Dash Harness. Plug the other end of the 3-Speed Blower Resistor Jumper Harness "C" to the Blower Motor Resistor.

NOTE: For all vehicles, the Blower Motor has a single wire pigtail that connects directly to the Blower Resistor. You will continue to use this wire and plug it to the Blower Resistor. This wire is not supplied with this kit.

Heater Blower Resistor Connector #1

Wire #	Wire Color	Printing	Description
51	Red	no printing	Blower Motor Low Speed.
52	Orange	no printing	Blower Motor High Speed.

Heater Blower Resistor Connector #2

Wire #	Wire Color	Printing	Description
72	Light Blue	no printing	Blower Motor Medium Speed.

Cigar Lighter Connector Connect the Cigar Lighter connector to the Cigar Lighter.

Wire #	Wire Color	Printing	Description
40G	Orange	12V BATTERY-FUSED	Fused Battery feed to the Cigar Lighter.

Ash Tray Light Connector Connector the Ash Tray Light connector to the Ash Tray Light.

Wire #	Wire Color	Printing	Description
8B	Gray	DASH LIGHTS	Dash Lights feed to the Ash Tray Lights.

Circuit Branch #9

Right Hand Courtesy Light Plug the 2-way Right Hand Courtesy Light Connector, which is part of the Dash Harness, into one of the **Courtesy Light Jumper Harnesses "E"** (from Bag G). Attach the **Courtesy Light Jumper Harness "E"** to the RH Lower Outer Dash. **NOTE: This Courtesy Light utilizes a #631 Bulb (which is not included in this kit).**

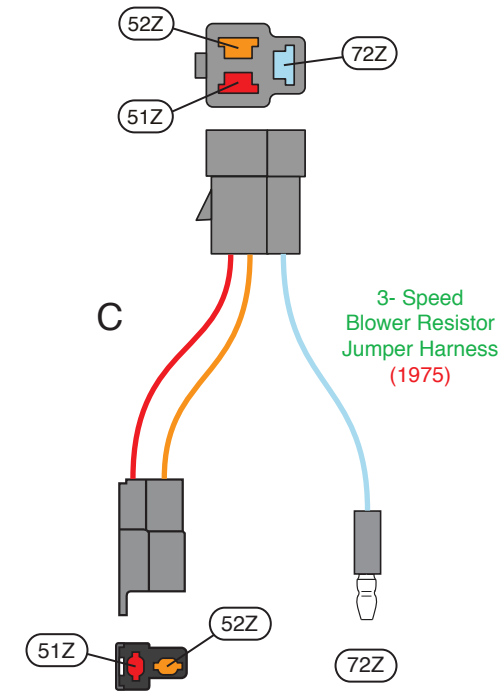
Wire #	Wire Color	Printing	Description
40A, F	Orange	12V BATTERY – FUSED	12V Battery feed to the RH Courtesy Light.
156, 156A	White	CTSY GROUND	Ground for the RH Courtesy Light.

Glove Compartment Light Connector Plug the Glove Compartment Light connector to the Glove Compartment Light pigtail.

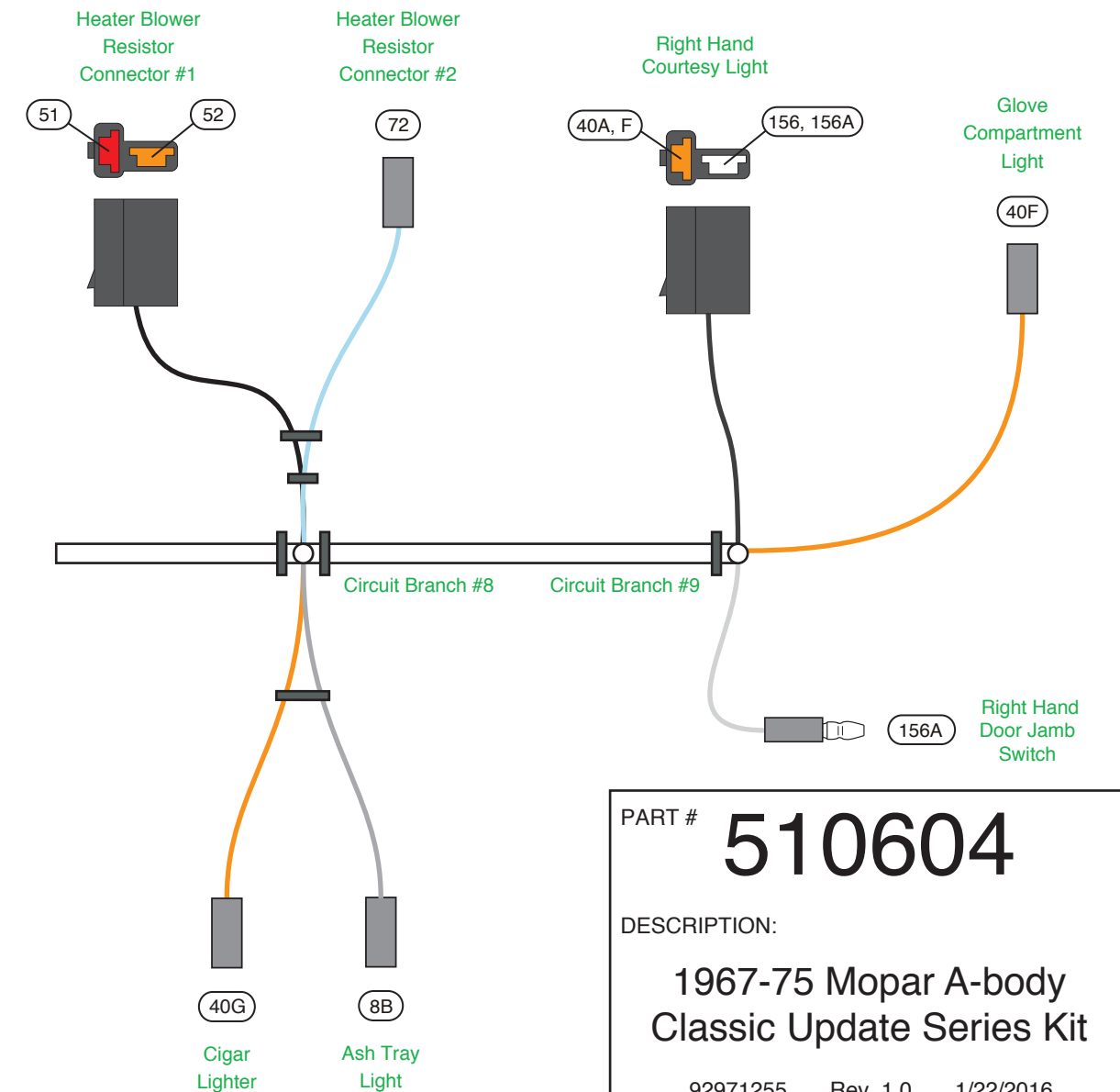
Wire #	Wire Color	Printing	Description
40F	Orange	12V BATTERY – FUSED	12V Battery feed to the Glove Compartment Light.

Right Hand Door Jamb Switch Route the Right Hand Door Jamb Switch Connector into the Side Cowl and through the Door Jamb Switch Hole and connect to the Door Jamb Switch (**not included in this kit**). **Door Jamb Switch #500100** is available from AAW. This self-tapping Door Jamb Switch will fit into a 3/8"-24 hole.

Wire #	Wire Color	Printing	Description
156A	White	CTSY GROUND	RH Switched Ground for the Courtesy/ Dome Lights.



NOTE: The Courtesy Light Jumper Harness, from Page 5, that plugs onto the connector at branch 9 on this page, uses a # 631 bulb (**not included with this kit**). They may be purchased at any auto parts store.



PART # **510604**

DESCRIPTION:
1967-75 Mopar A-body Classic Update Series Kit

92971255 Rev. 1.0 1/22/2016

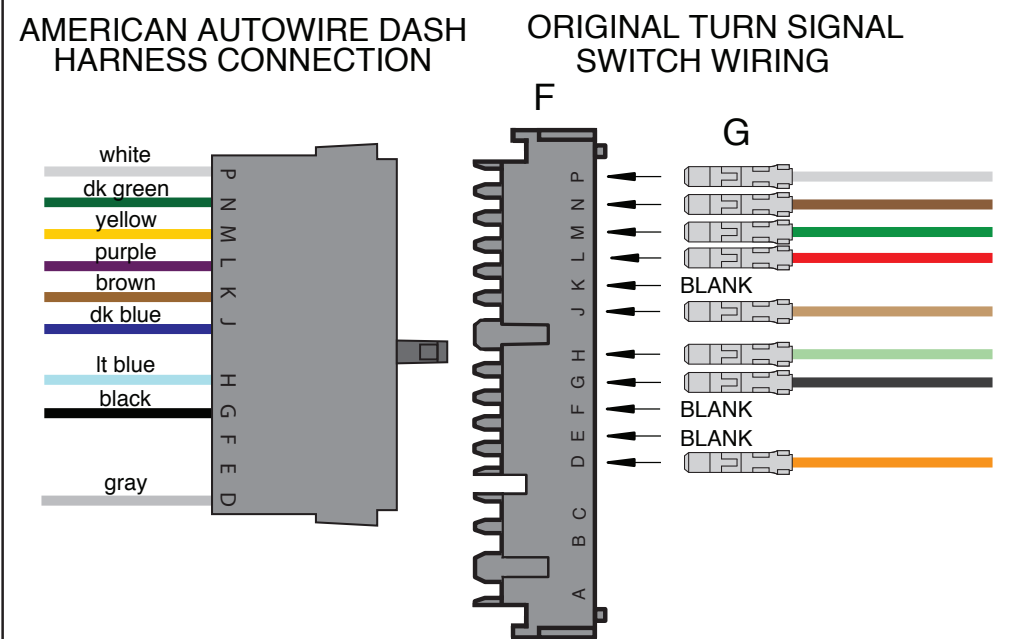


DIAGRAM 'A' - AAW Turn Signal Switch Wires to Stock 1967-69 Steering Columns.

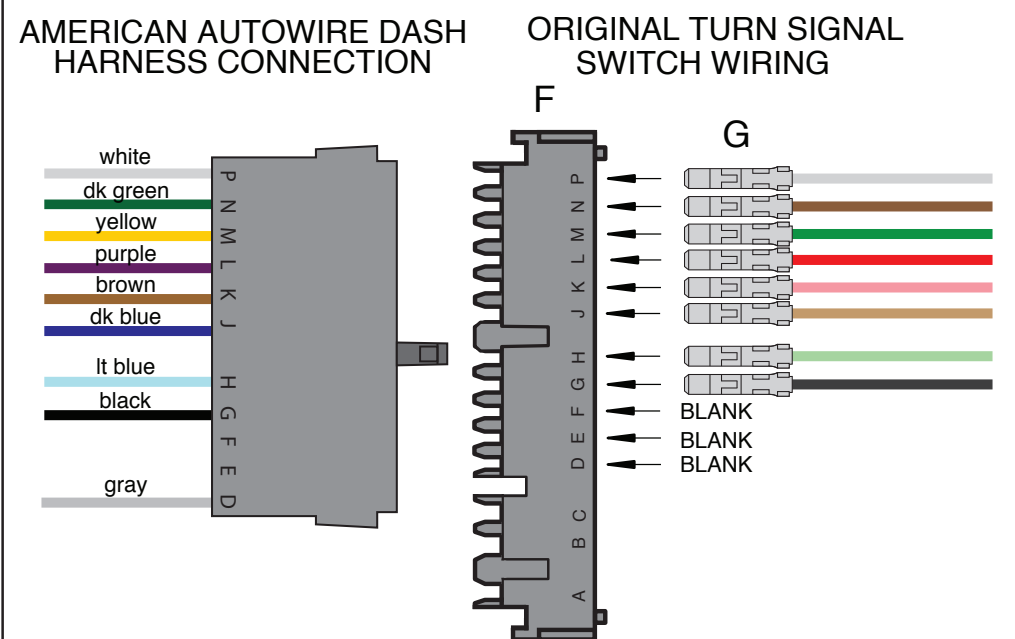


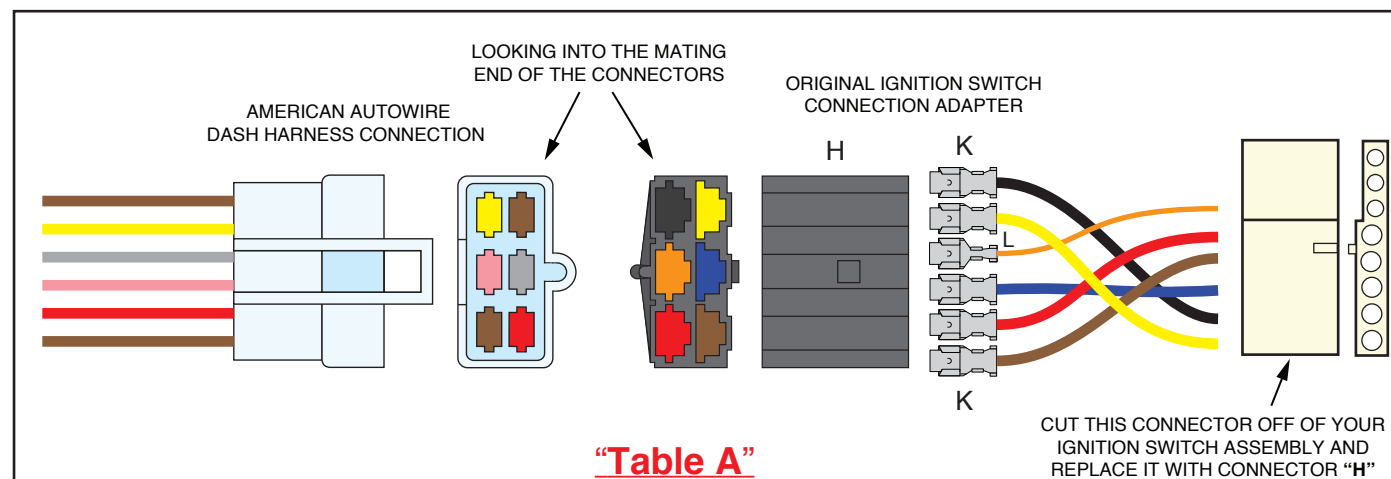
DIAGRAM 'B' - AAW Turn Signal Switch Wires to Stock 1970-75 Steering Columns.

“Table B”

AAW Turn Signal Switch wires to stock 1967-75 Mopar A-body Turn Signal Switch

AAW Wire #	AAW Wire Color	AAW Wire Printing	Connector Cavity AAW	A-Body Wire Color
8E	Gray	DASH LIGHTS	D	Orange (1967-69) or None (1970-75)
None	None	None	E	None
None	None	None	F	None
28	Black	Horn Relay Ground	G	Black
14C	Light Blue	Left Front Turn	H	Light Green
15C	Dark Blue	Right Front Turn	J	Tan
27B	Brown	Turn SW – Hazard	K	None (1967-69) or Pink (1970-75)
16	Purple	Turn Switch Feed	L	Red
18	Yellow	Left Rear Turn	M	Dark Green
19	Dark Green	Right Rear Turn	N	Brown
17B	White	Brake SW	P	White

Note: Remove the original Turn Signal Switch Connector and replace it with the AAW 14-way connector “F”. Crimp on terminal “G” to each of the original Turn Signal Switch wires and plug them into connector “F” (see Parts Kit 92971256). Use “Table B” above to align the wires. Also, for all of the vehicles, the Steering Column Horn Button switches ground for the Horn Relay, which then switches power to the Horns, similar to the AAW design.



“Table A”

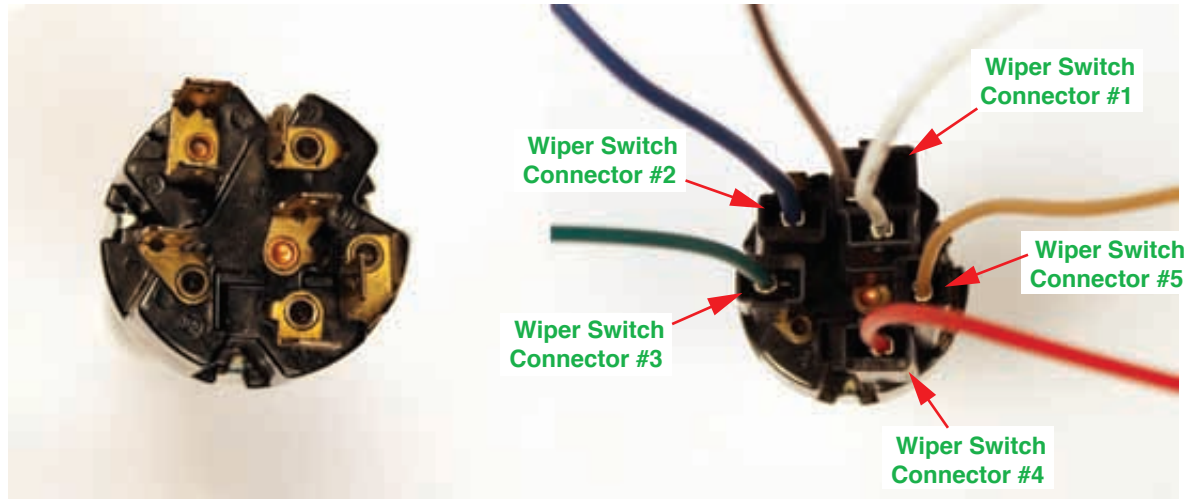
Mopar A-Body 1970-75 Ignition Switch Wires

AAW Wire #	AAW Wire Color	AAW Wire Printing	Wire Description	A-Body Wire Color
5A	Yellow	no printing	Start	Yellow
4, 4D	Brown (double)	IGNITION SW ACCY	12V Accessory Feed	Black
3E	Pink	IGNITION FEED	12V Ignition Feed	Dark Blue
8D, E	Gray (double)	DASH LIGHTS	Illumination Light	Orange
7A	Brown	no printing	Resistor Bypass	Brown
2G	Red	12V BATTERY	12V Battery Feed	Red

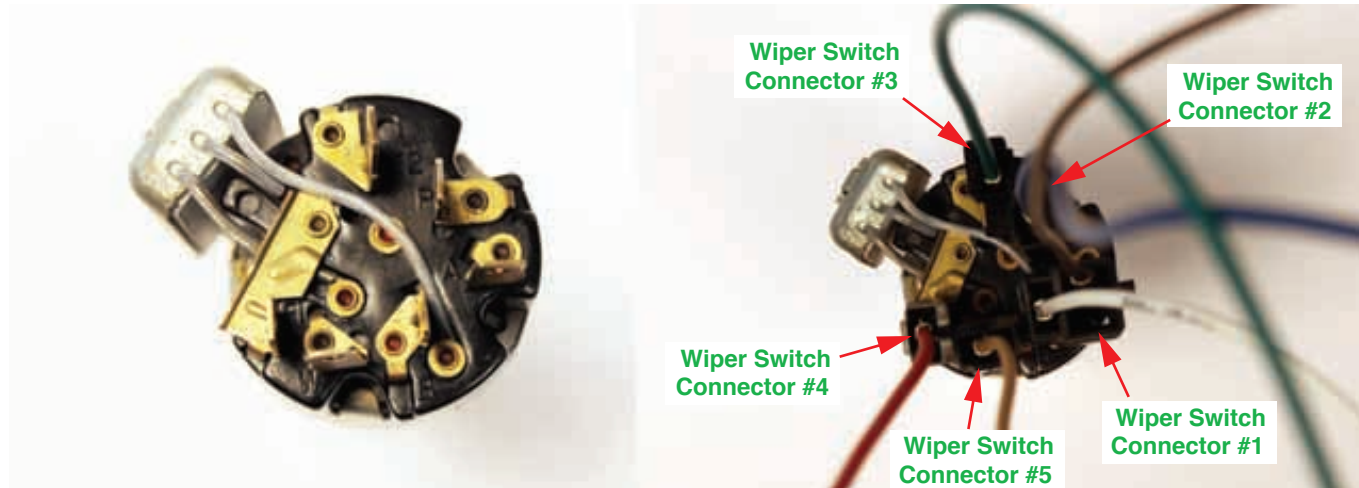
Note: Be sure to align the A-Body wire with the corresponding AAW wire in the 6-way connector “H”. Crimp on terminal “L” for the thinner wires and terminal “K” for the thicker wires (see Parts Kit 92971256). The two additional thin red wires in the original stock Ignition Switch Connector Pigtail are for the Key-in-Ignition Warning Buzzer and will not be used and can be taped back.

PART # **510604**

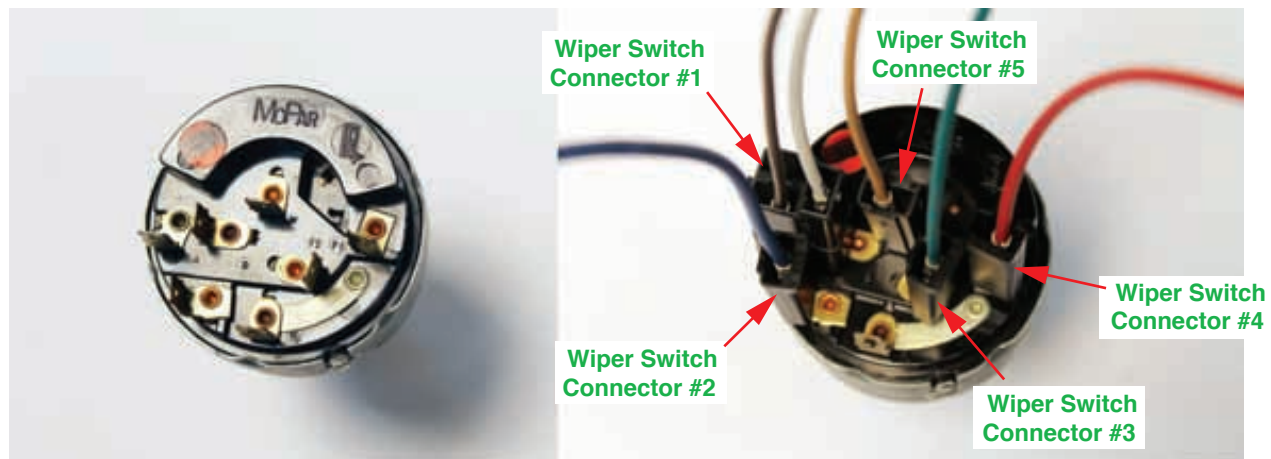
DESCRIPTION:
1967-75 Mopar A-body Classic Update Series Kit



2-Speed, with Washer, Windshield Wiper Switch



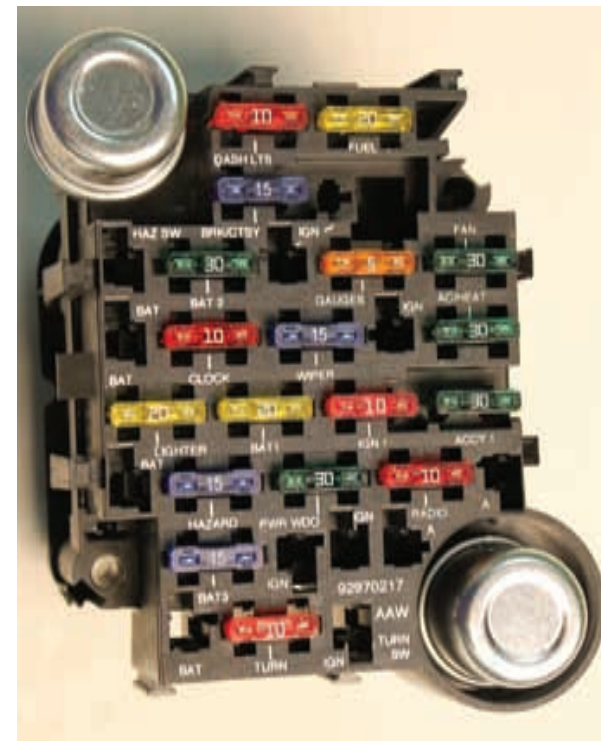
3-Speed Windshield Wiper Switch



Variable-Speed Windshield Wiper Switch



Fuse Block mounted under Dash in 1974 Duster



Populated Fuse Block

PART # **510604**

DESCRIPTION:
**1967-75 Mopar A-body
 Classic Update Series Kit**

92971255 Rev. 1.0 1/22/2016

THIS PAGE HAS INTENTIONALLY BEEN LEFT BLANK

PART # **510604**

DESCRIPTION:

**1967-75 Mopar A-body
Classic Update Series Kit**

92971255 Rev. 1.0 1/22/2016