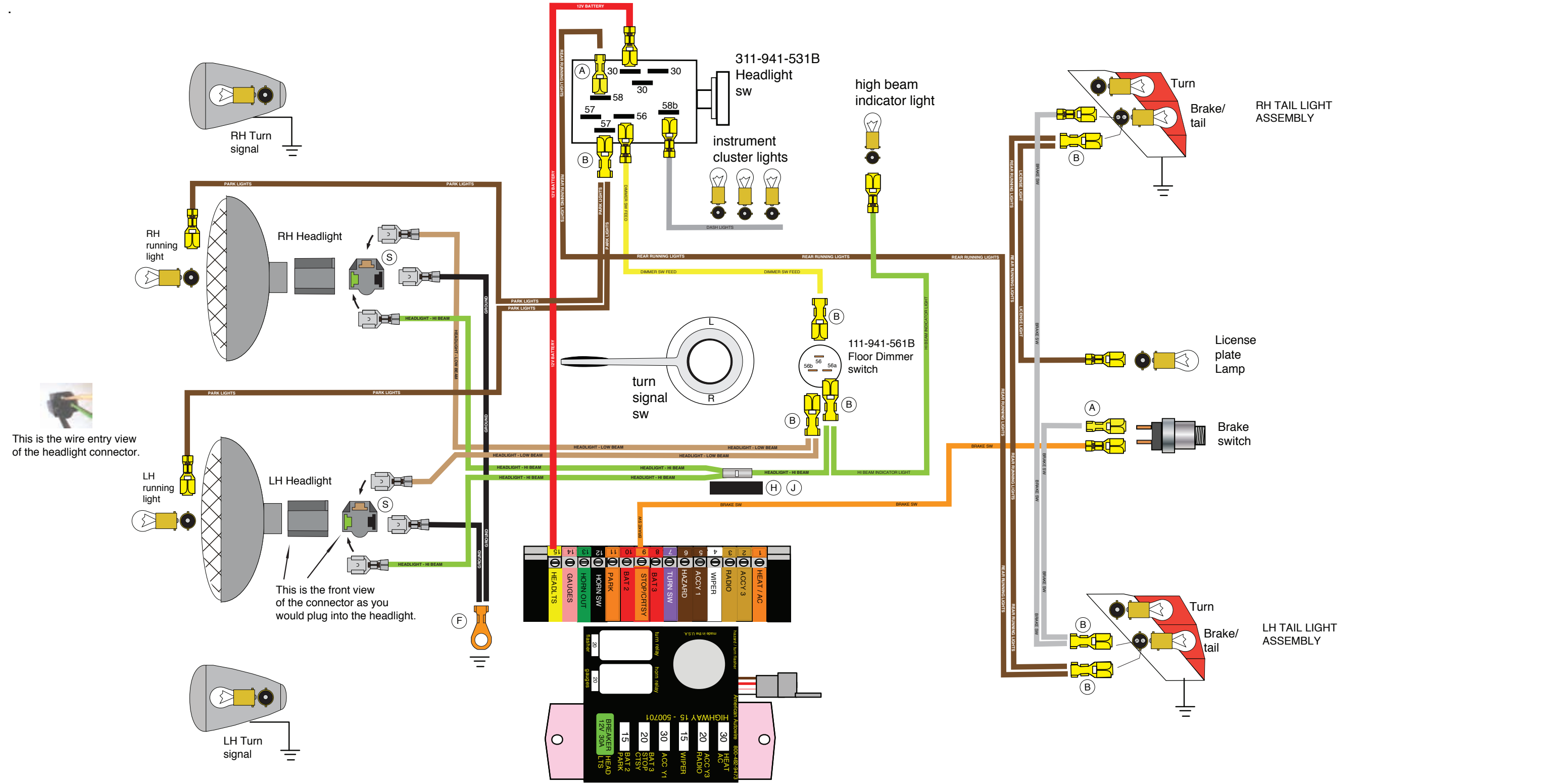


1962-65 Beetle - Headlights, running lights, and brake lights.

Note: All 6 volt light bulbs must be replaced with 12 volt bulbs.



This is the wire entry view of the headlight connector.

This is the front view of the connector as you would plug into the headlight.

Note: All 6 volt light bulbs must be replaced with 12 volt bulbs.



**American
Autowire**

www.americanautowire.com 856-933-0801

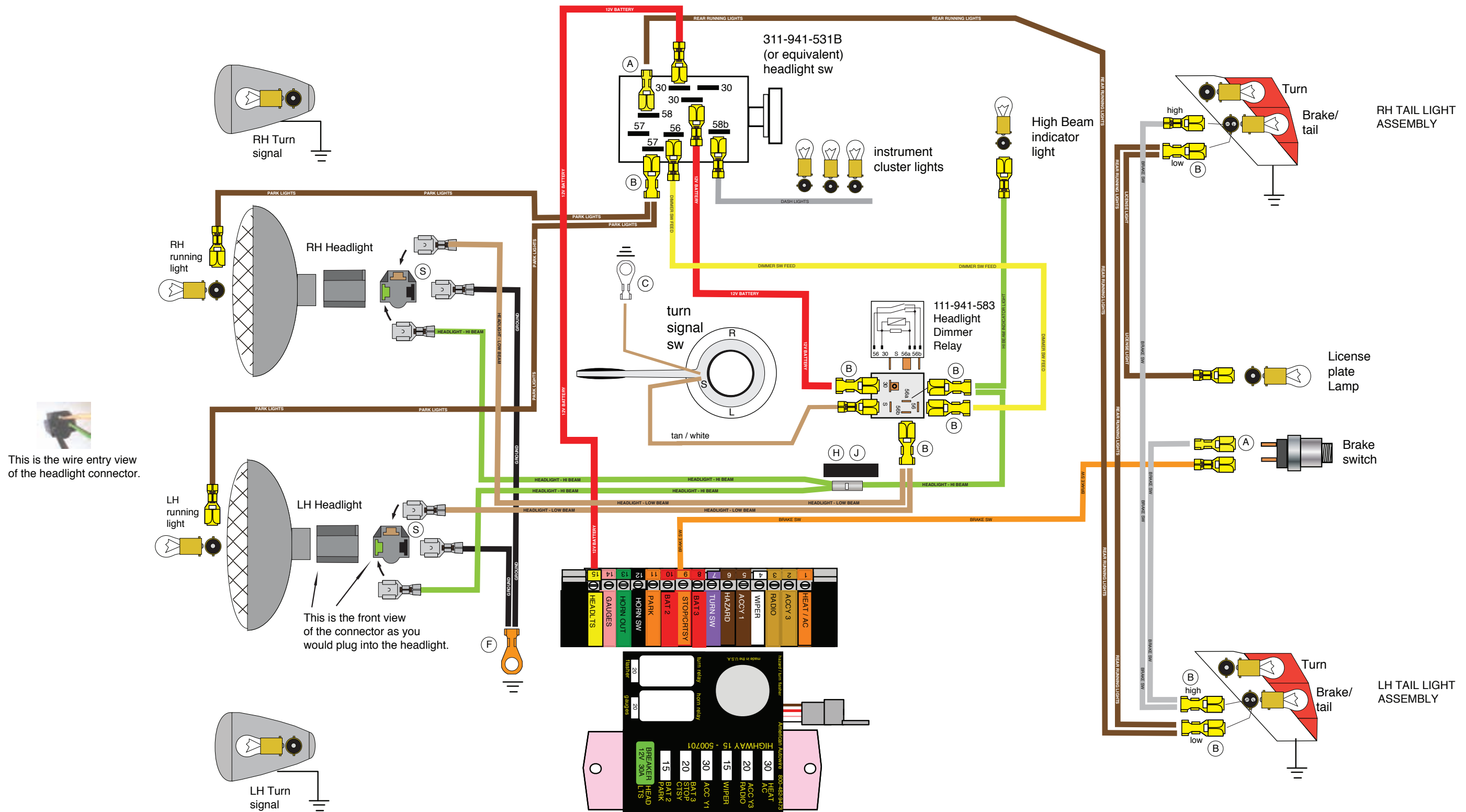
510420

Volkswagen Headlight and
Running Light Wiring Kit

92971330 Rev 1.0 3/21/2016

1966 Beetle - Headlights, running lights, and brake lights.

Note: All 6 volt light bulbs must be replaced with 12 volt bulbs.



This is the wire entry view of the headlight connector.

This is the front view of the connector as you would plug into the headlight.

Note: All 6 volt light bulbs must be replaced with 12 volt bulbs.

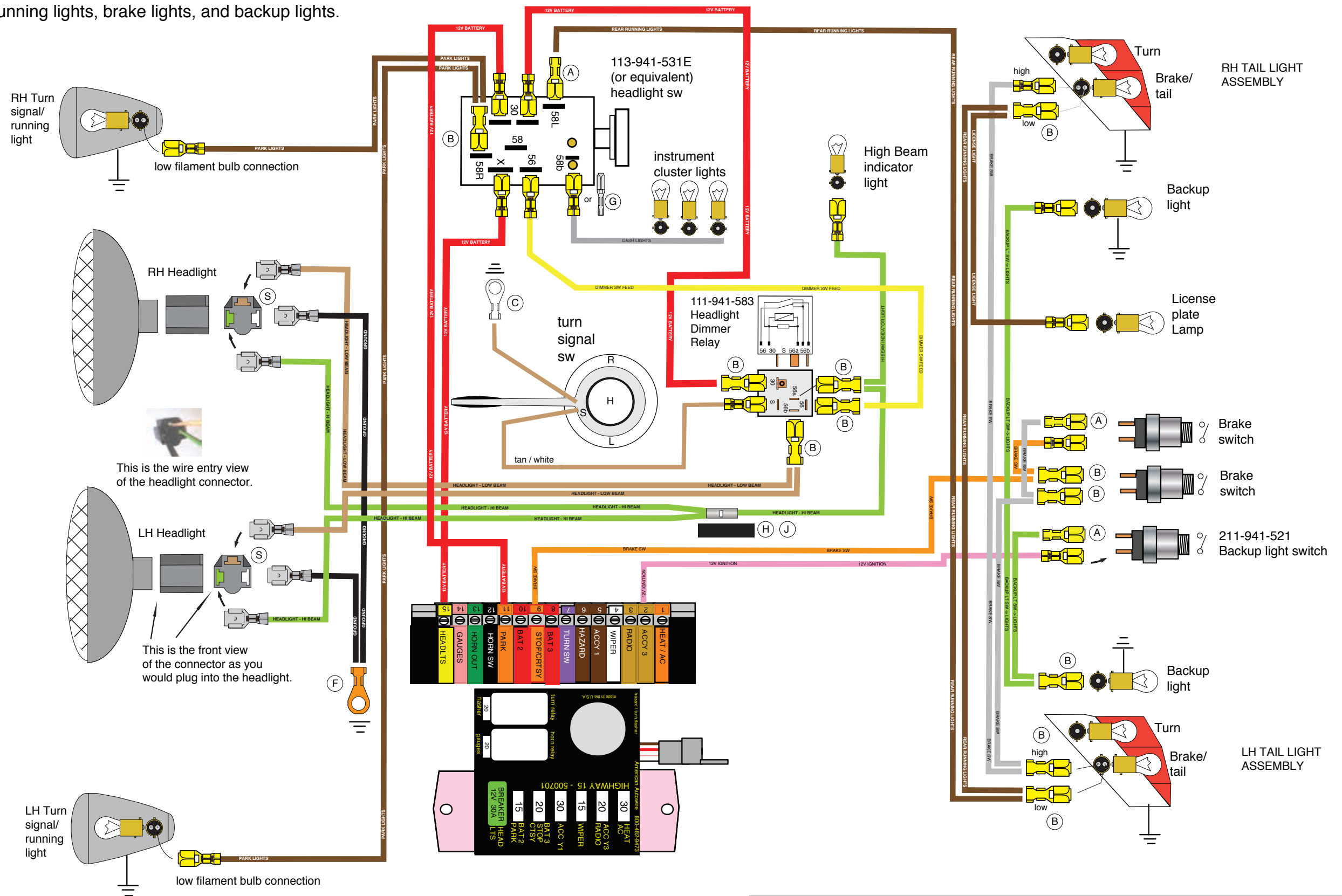


www.americanautowire.com 856-933-0801

510420

Volkswagen Headlight and Running Light Wiring Kit

1967 Beetle - Headlights, running lights, brake lights, and backup lights.



This is the wire entry view of the headlight connector.

This is the front view of the connector as you would plug into the headlight.



**American
Autowire**

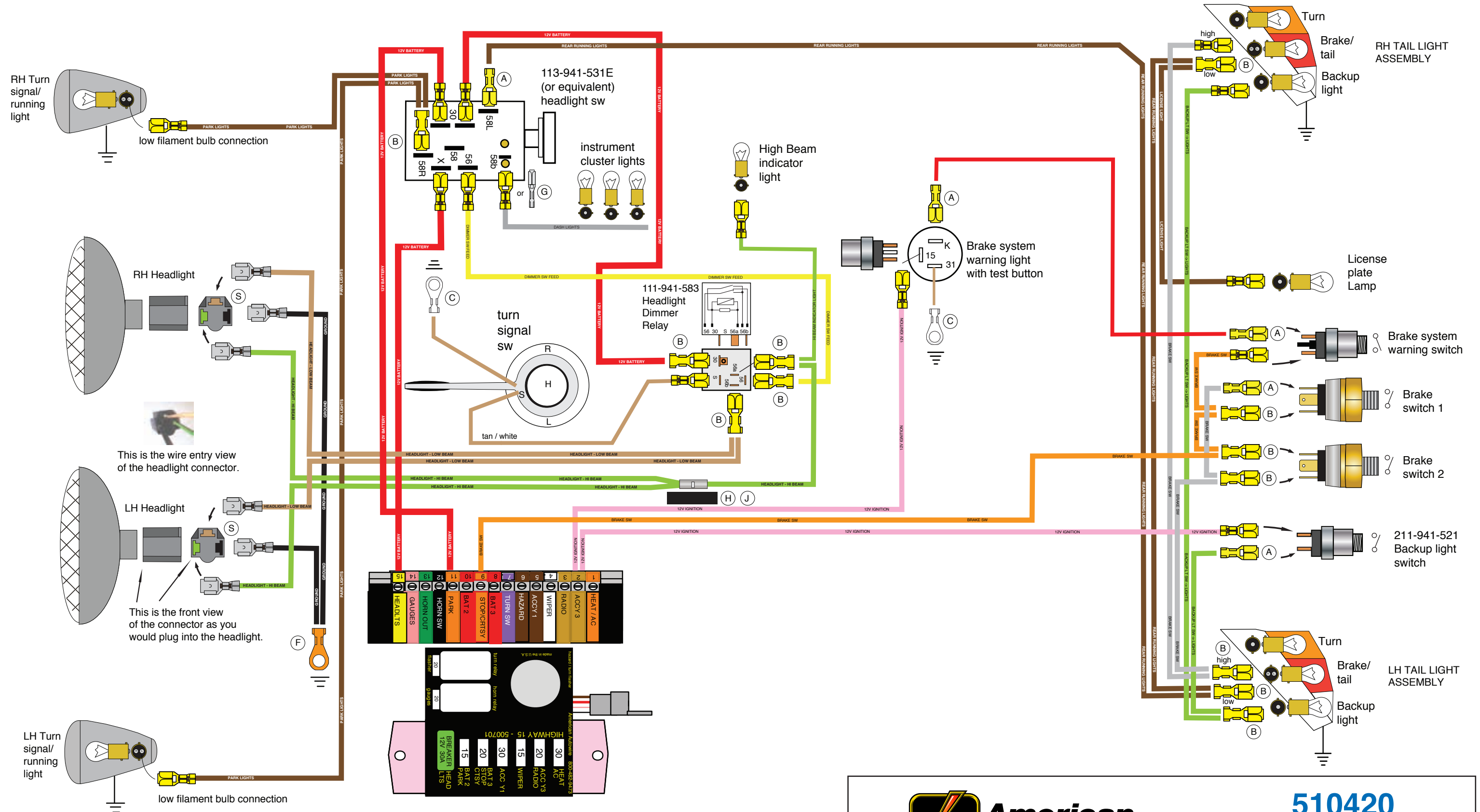
www.americanautowire.com 856-933-0801

510420

Volkswagen Headlight and Running Light Wiring Kit

92971330 Rev 1.0 3/21/2016

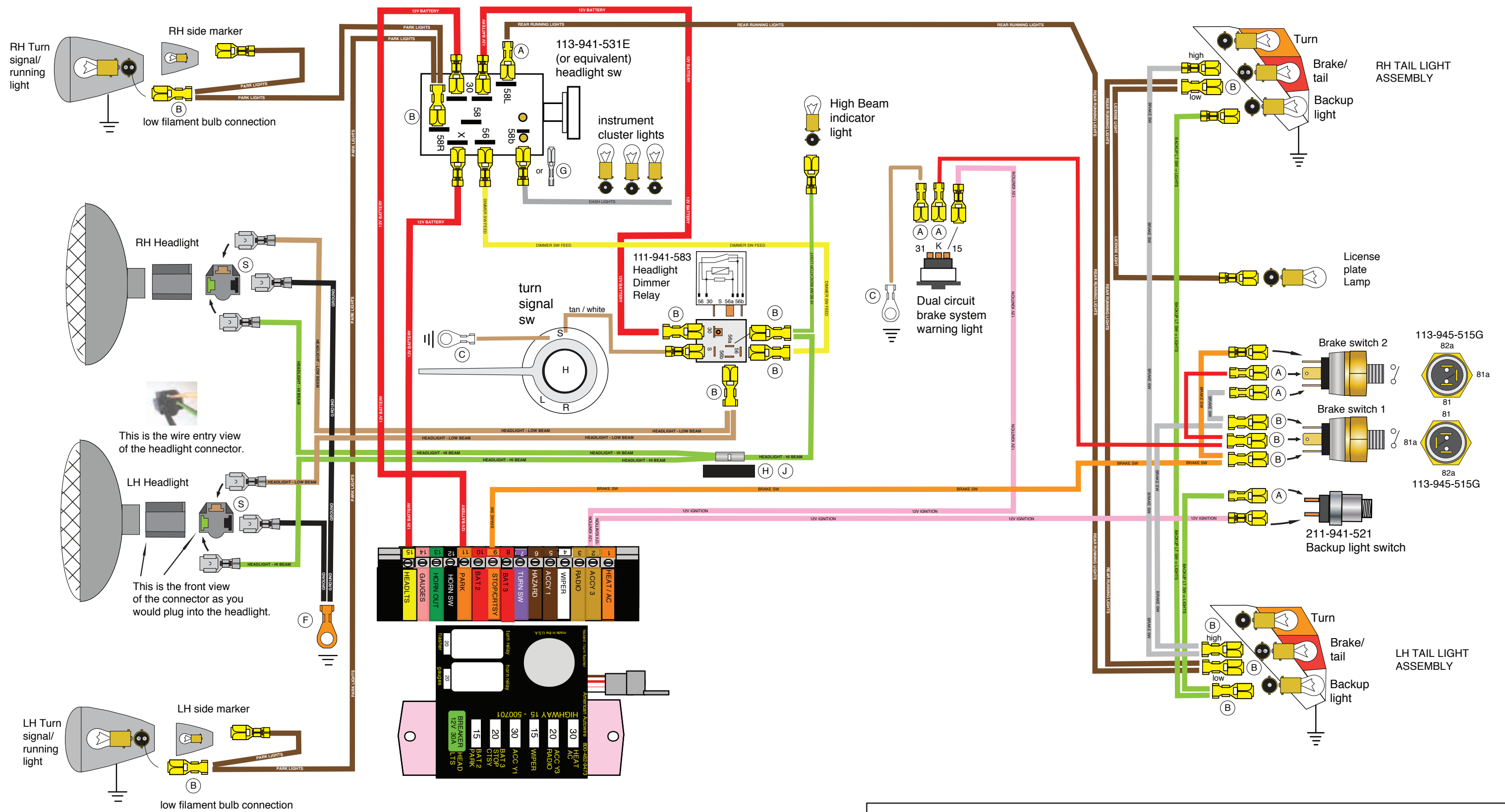
1968-69 Beetle - Headlights, running lights, brake lights, and backup lights.



510420

Volkswagen Headlight and Running Light Wiring Kit

1970-71 Beetle - Headlights, running lights, brake lights, and backup lights.





**American
Autowire**

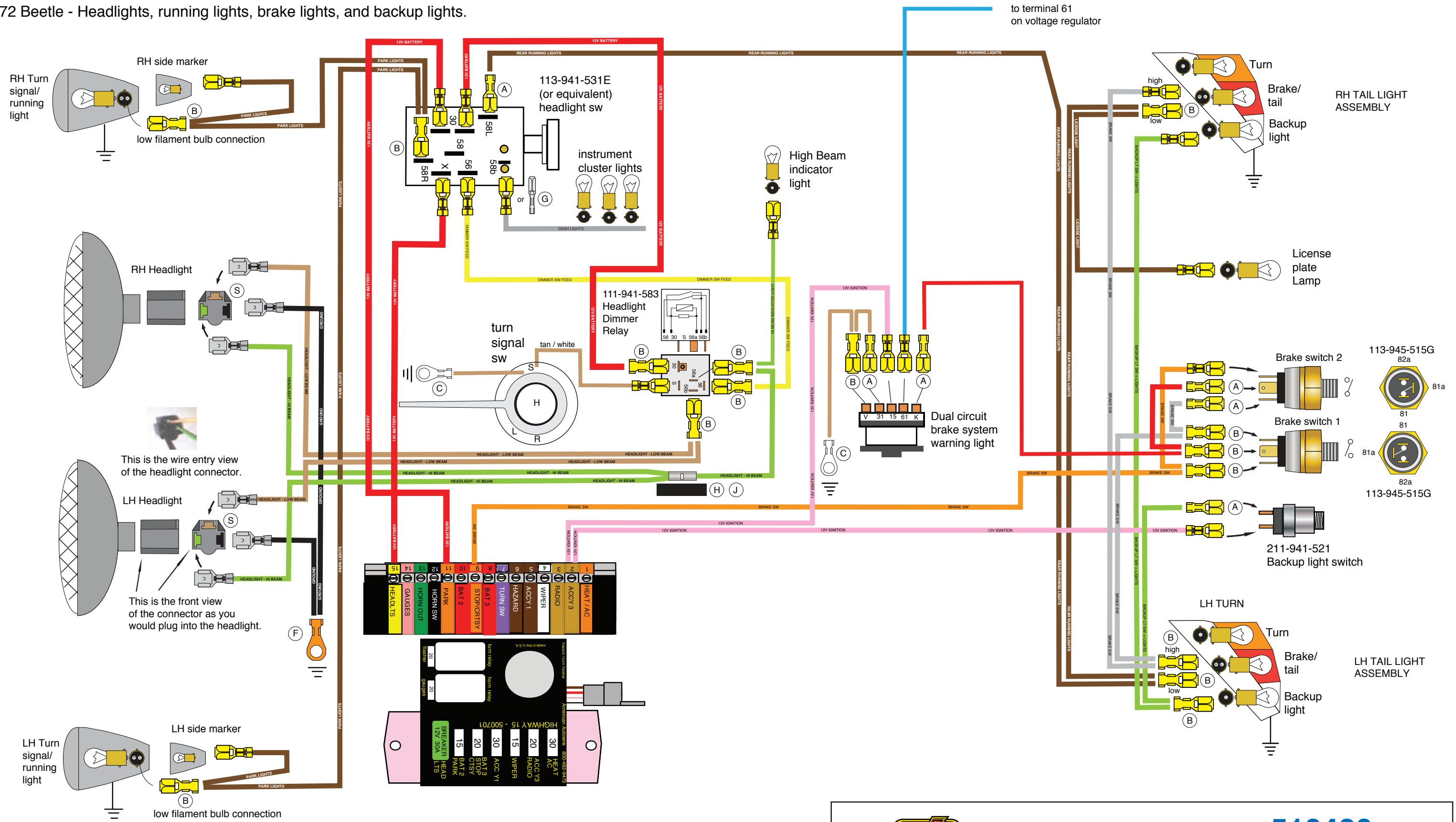
www.americanautowire.com 856-933-0801

510420

Volkswagen Headlight and
Running Light Wiring Kit

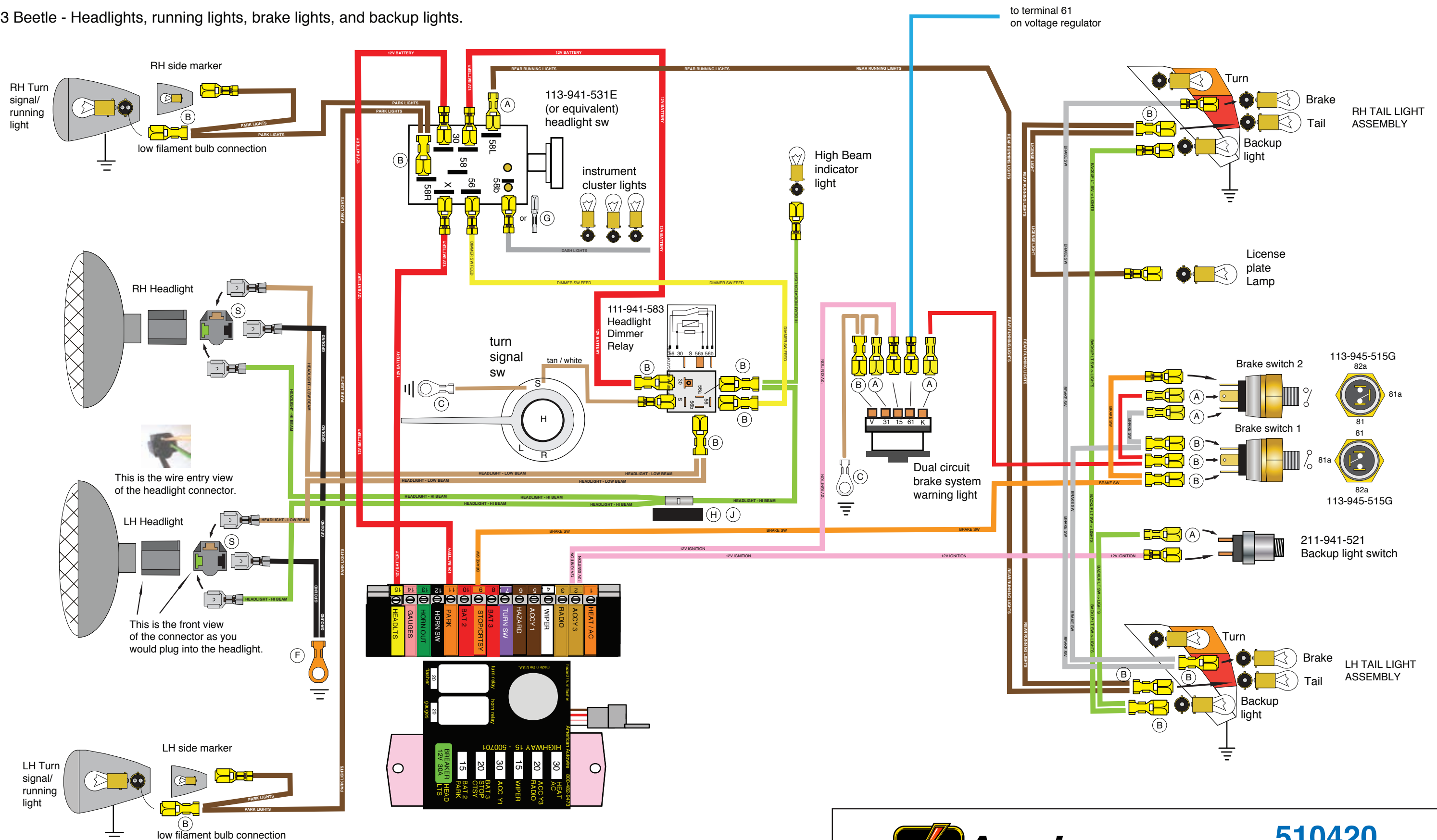
92971330 Rev 1.0 3/21/2016

1972 Beetle - Headlights, running lights, brake lights, and backup lights.



510420
Volkswagen Headlight and Running Light Wiring Kit

1973 Beetle - Headlights, running lights, brake lights, and backup lights.



to terminal 61 on voltage regulator

RH Headlight

LH Headlight

LH side marker



American Autowire

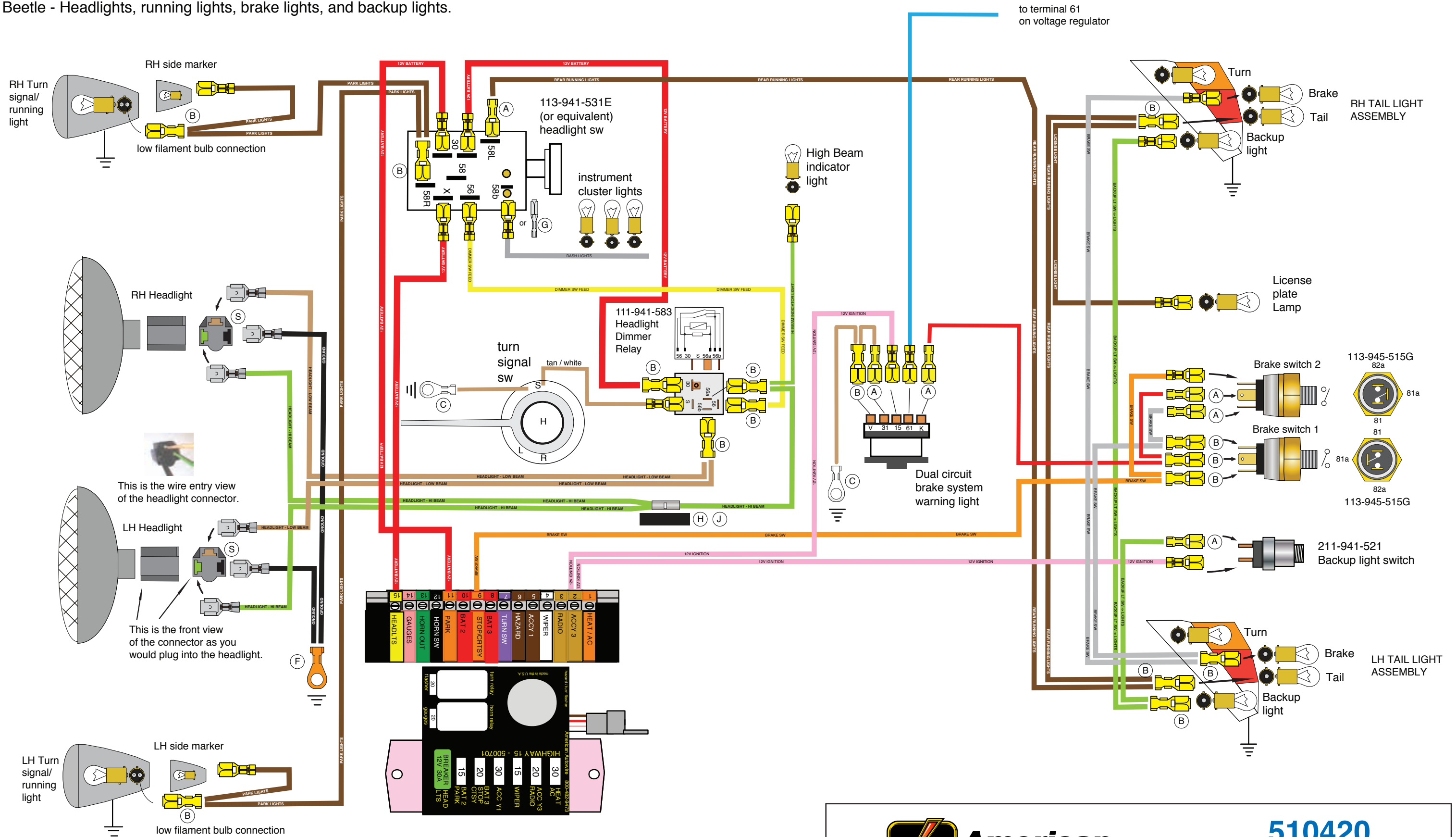
www.americanautowire.com 856-933-0801

510420

Volkswagen Headlight and Running Light Wiring Kit

92971330 Rev 1.0 3/21/2016

1974 Beetle - Headlights, running lights, brake lights, and backup lights.



510420

Volkswagen Headlight and Running Light Wiring Kit

WIRE FUNCTION CHART

VW CIRCUIT	AAW CIRCUIT	WIRE GAUGE	WIRE COLOR	WIRE PRINTING	CIRCUIT FUNCTION
58B	8	18	Gray	DASH LIGHTS	Dash light feed wire from headlight switch
30	2A	12	Red	12V BATTERY	Main power from Panel connection 15 (HEADLTS) to the headlight switch
30	2B	12	Red	12V BATTERY	Main power from Panel connection 11 (PARK) to the headlight switch
30	2C	12	Red	12V BATTERY	Headlight switch power terminal (30) to Dimmer relay power terminal (30)
30	2D	18	Red	no printing	Brake warning light "K" terminal to brake switch
58	9A	16	Brown	REAR RUNNING LIGHTS	Rear running light lead from Headlight switch to rear running lights
58	9B	16	Brown	REAR RUNNING LIGHTS	Right rear to Left rear running light jumper
58	9C	16	Brown	LICENSE LIGHT	License plate light lead wire
57	9D	16	Brown	PARK LIGHTS	Front running light lead from Headlight switch to left front running lights and side markers
57	9E	16	Brown	PARK LIGHTS	Front running light lead from Headlight switch to right front running lights and side markers
56	10	14	Yellow	DIMMER SW FEED	Power output from the headlight switch to the floor dimmer or Dimmer relay
56B	11A	14	Light Green	HEADLIGHT - HIGH BEAM	High beam headlight lead from the Headlight switch to left headlight
56B	11B	14	Light Green	HEADLIGHT - HIGH BEAM	High beam headlight lead from the Headlight switch to right headlight
	11C	18	Light Green	HI BEAM INDICATOR LIGHT	High beam indicator light in instrument cluster
56A	12A	14	Tan	HEADLIGHT - LOW BEAM	Low beam headlight lead from the Headlight switch to left headlight
56A	12B	14	Tan	HEADLIGHT - LOW BEAM	Low beam headlight lead from the Headlight switch to right headlight
	150A	14	Black	GROUND	Headlight ground wire
	150B	14	Black	GROUND	Headlight ground wire
	24	18	Light Green	BACK UP LT SW --> LIGHTS	Backup lights lead wire from backup light switch
15	39A	18	Pink	12V IGNITION	Main power from Panel connection 2 (ACCY 3) to the backup light switch
15	39B	18	Pink	12V IGNITION	Main power from Panel connection 2 (ACCY 3) to the brake warning light power in terminal (15)
31S	7	18	Tan / white stripe	no printing	Turn signal switch "S" terminal to headlight dimmer relay for momentary ground
	140	16	Orange	BRAKE SW	Main power from Panel connection 9 (STOP/CRTSY) to the brake switch
	17	16	White	BRAKE SW	Power lead wire from brake switch to brake lights
61	61	18	Light blue	no printing	Brake warning light terminal "61" to voltage regulator terminal "61"
31	31	18	Tan	no printing	Brake warning light ground wire(s)



THIS PAGE INTENTIONALLY LEFT BLANK



510420

Volkswagen Headlight and
Running Light Wiring Kit