

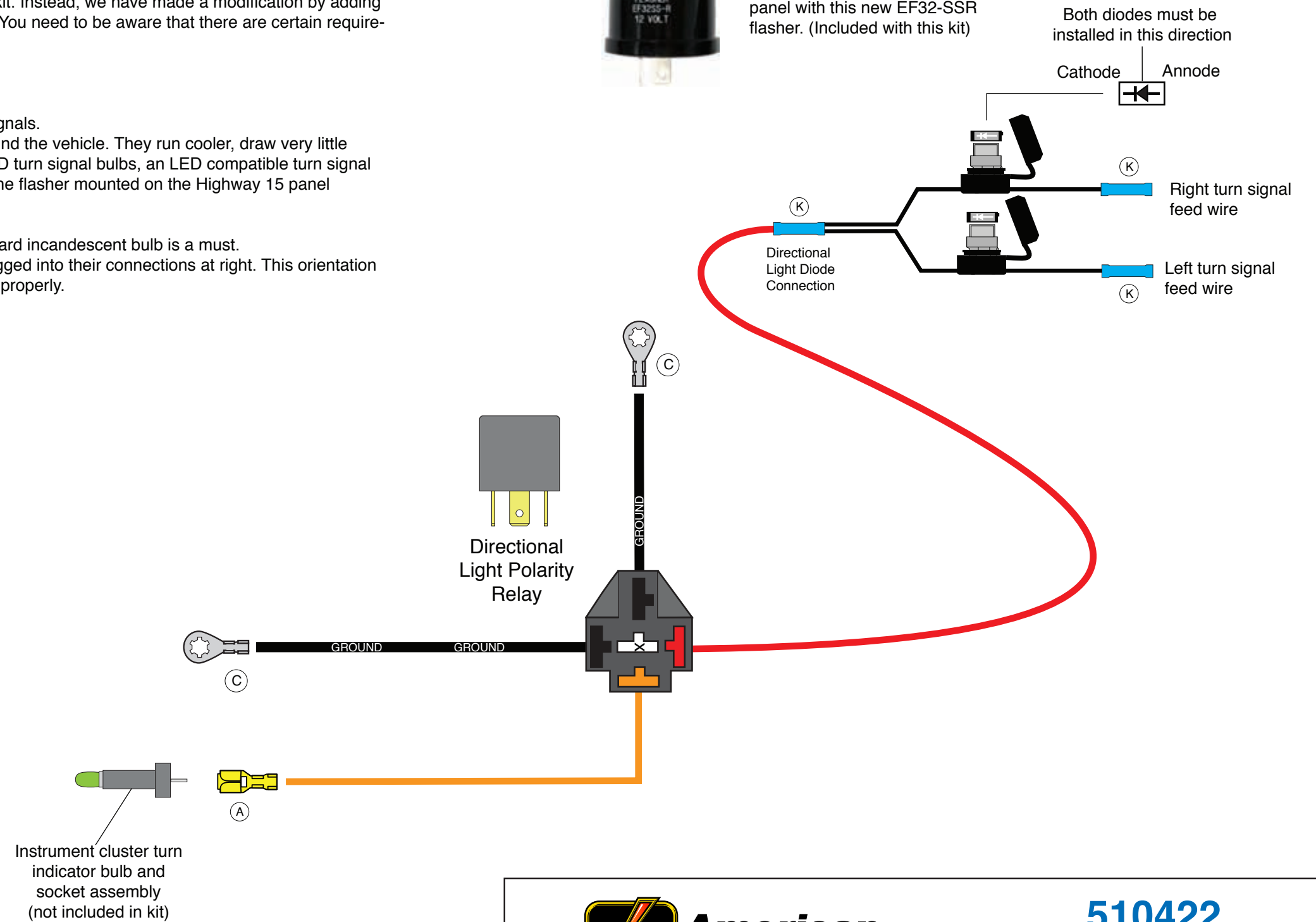
Instrument Cluster turn signal indicator light.

In the original Volkswagen wiring design, there is a single turn signal indicator light in the instrument cluster that flashes in conjunction with either a left or right turn input signal. This indicator light does not distinguish between a left or right signal. It only indicates that either a left or right signal is active. This required a special turn signal flasher with a pilot light ground feed directly to the indicator bulb. The bulb received power via a common power feed terminal on the instrument cluster. This original design turn signal flasher and wiring configuration cannot be used with this kit. Instead, we have made a modification by adding a relay that simulates the operation of the original turn signal indicator bulb. You need to be aware that there are certain requirements in using this new design as follows:

1. The original turn signal flasher is not required and cannot be used.
2. LED turn signal light bulbs can be used for the front and rear turn signals.
It is common practice to use LED bulbs for turn signals around the vehicle. They run cooler, draw very little current, and generally last longer. To facilitate the use of LED turn signal bulbs, an LED compatible turn signal flasher (EF32-SSR) has been included in this kit. Remove the flasher mounted on the Highway 15 panel and replace it with this new EF32-SSR LED flasher.
3. An LED turn signal indicator bulb **CANNOT** be used. Use of a standard incandescent bulb is a must.
Please note the direction in which the 2 diodes must be plugged into their connections at right. This orientation **MUST** be maintained in order for the indicator lamp to work properly.



When using LED bulbs, it will be necessary to replace the flasher mounted on the Highway 15 panel with this new EF32-SSR flasher. (Included with this kit)



**American
Autowire**

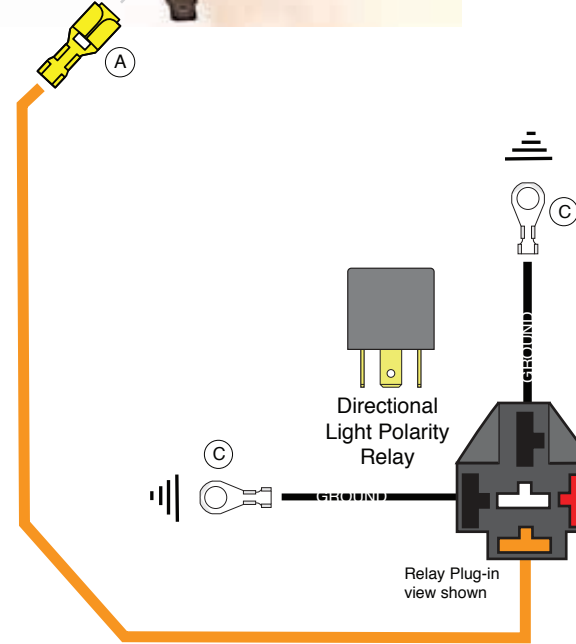
www.americanautowire.com 856-933-0801

510422

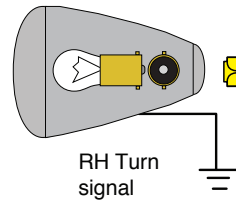
Volkswagen Turn Signal /
Emergency Flasher Wiring Kit

92971332 Rev 2.0 12/27/2017

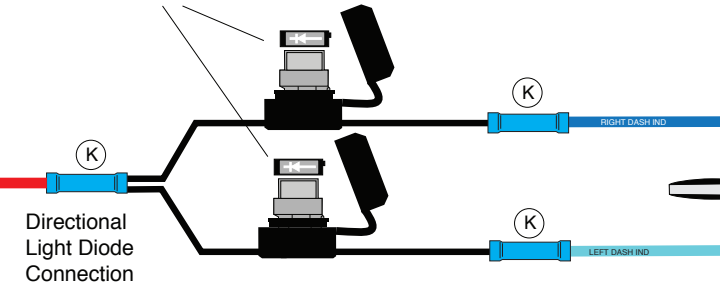
1962-65 Beetle - Turn signal lights



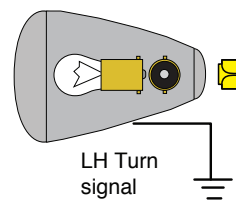
Note: Must replace 6 volt bulbs with 12 volt bulbs



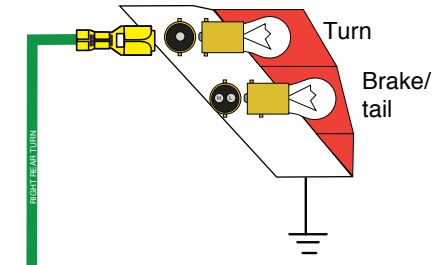
Both diodes must be installed in this direction



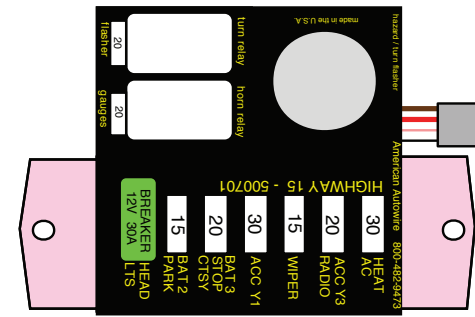
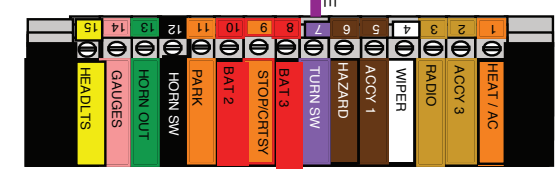
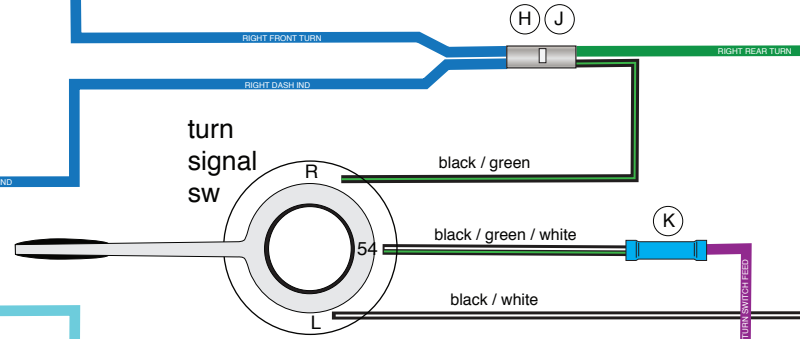
Note: Must replace 6 volt bulbs with 12 volt bulbs



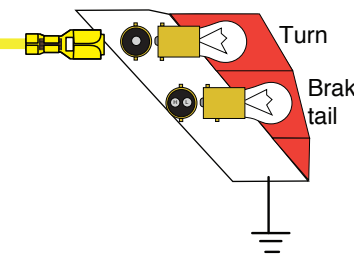
Note: Must replace 6 volt bulbs with 12 volt bulbs



RH TAIL LIGHT ASSEMBLY



Note: Must replace 6 volt bulbs with 12 volt bulbs



LH TAIL LIGHT ASSEMBLY



www.americanautowire.com 856-933-0801

510422

Volkswagen Turn Signal /
Emergency Flasher Wiring Kit

92971332 Rev 2.0 12/27/2017

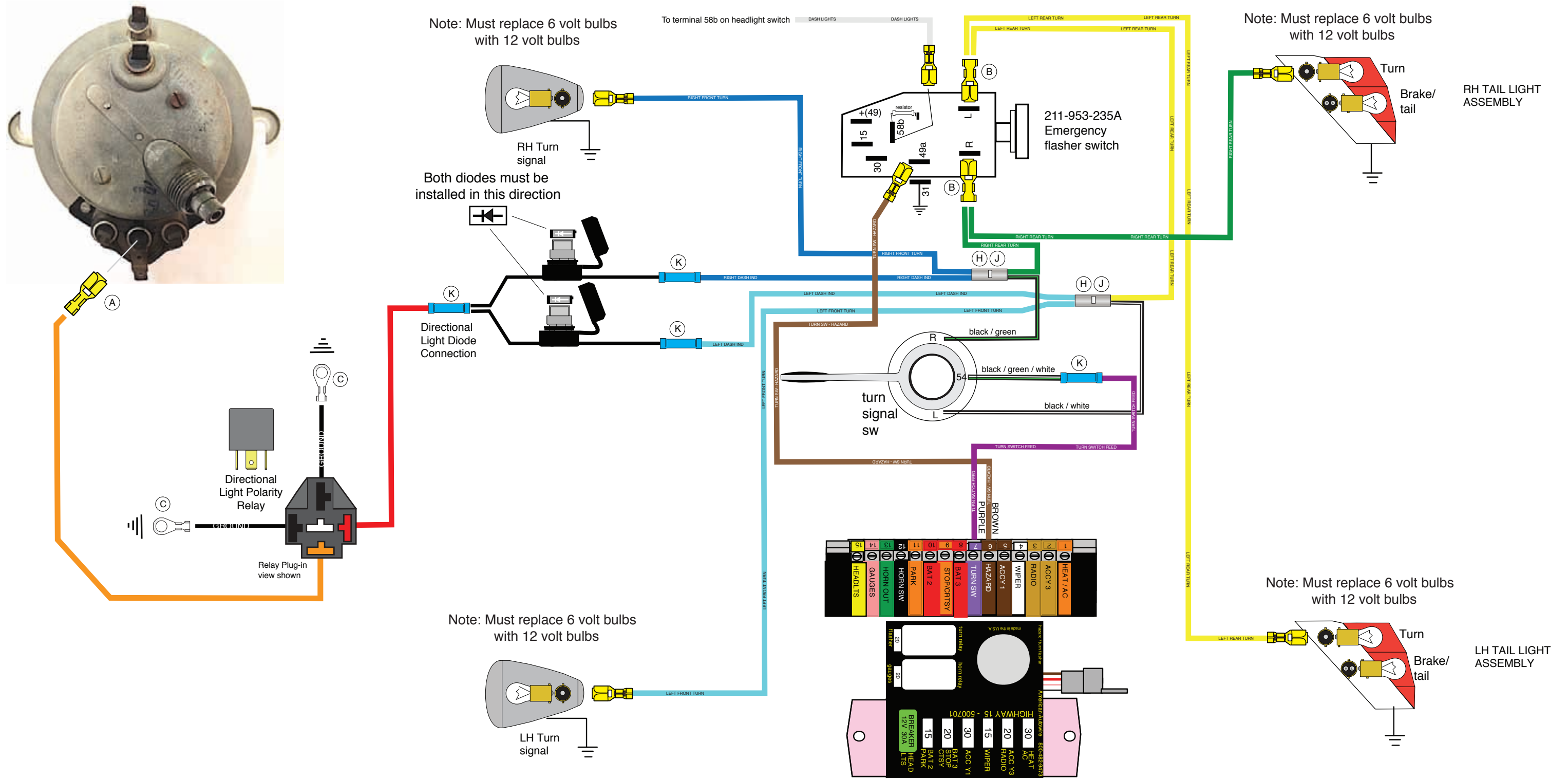
1966 Beetle - Turn signal, hazard, and brake lights



Note: Must replace 6 volt bulbs with 12 volt bulbs

To terminal 58b on headlight switch

Note: Must replace 6 volt bulbs with 12 volt bulbs



Both diodes must be installed in this direction

Directional Light Diode Connection

Directional Light Polarity Relay

Relay Plug-in view shown

211-953-235A
Emergency flasher switch

turn signal sw

RH TAIL LIGHT ASSEMBLY

LH TAIL LIGHT ASSEMBLY

Note: Must replace 6 volt bulbs with 12 volt bulbs

Note: Must replace 6 volt bulbs with 12 volt bulbs



American Autowire

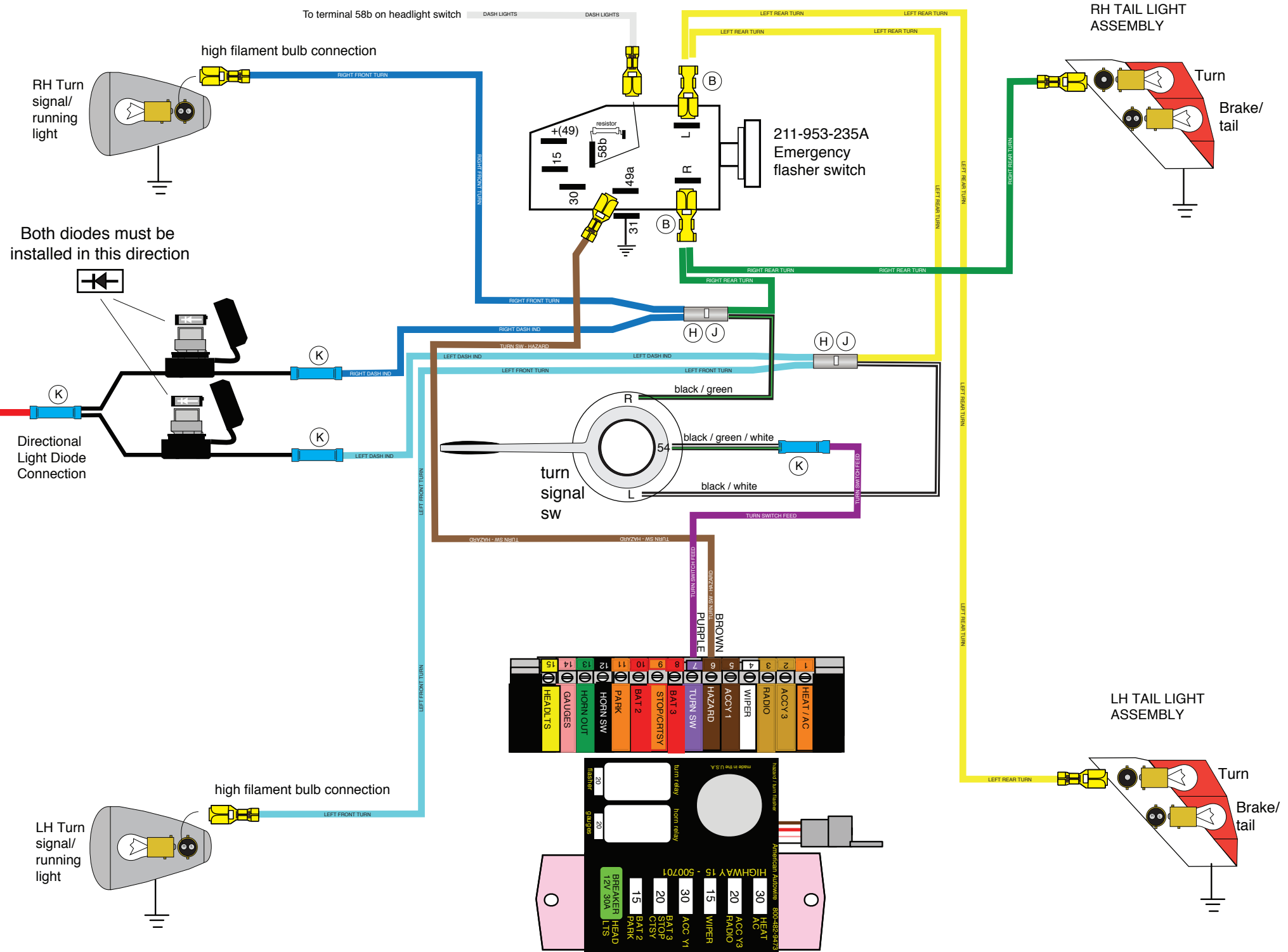
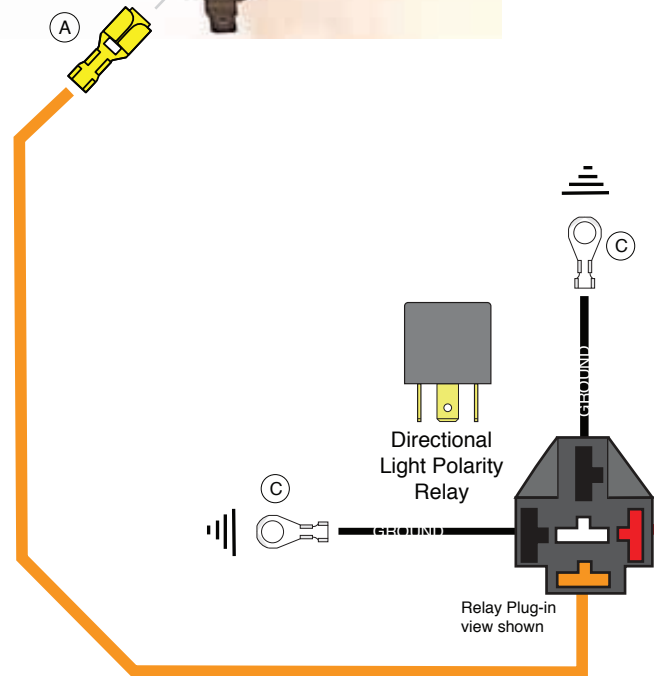
www.americanautowire.com 856-933-0801

510422

Volkswagen Turn Signal /
Emergency Flasher Wiring Kit

92971332 Rev 2.0 12/27/2017

1967 Beetle - Turn signal and hazard lights



**American
Autowire**

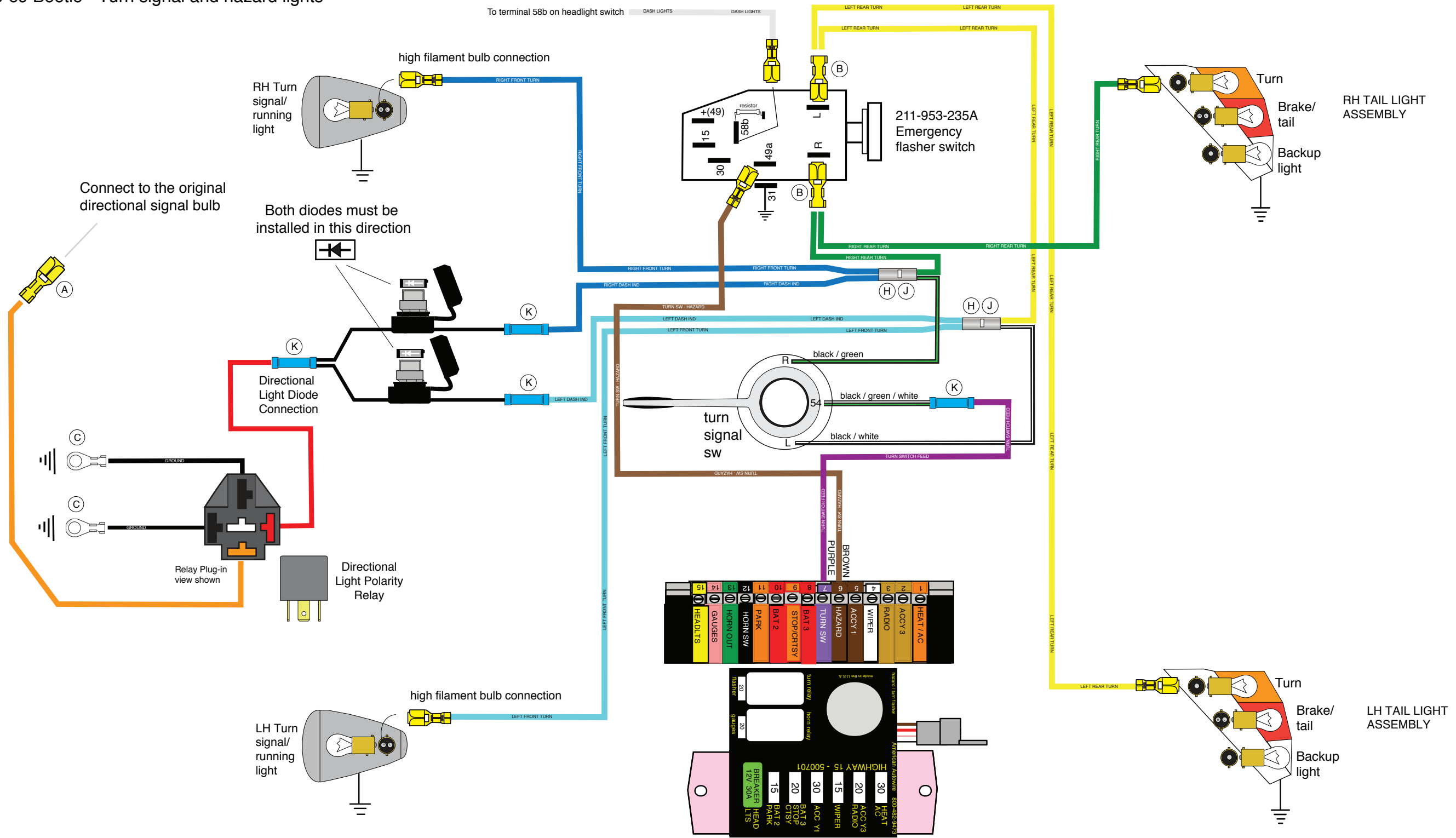
www.americanautowire.com 856-933-0801

510422

Volkswagen Turn Signal /
Emergency Flasher Wiring Kit

92971332 Rev 2.0 12/27/2017

1968-69 Beetle - Turn signal and hazard lights



**American
Autowire**

www.americanautowire.com 856-933-0801

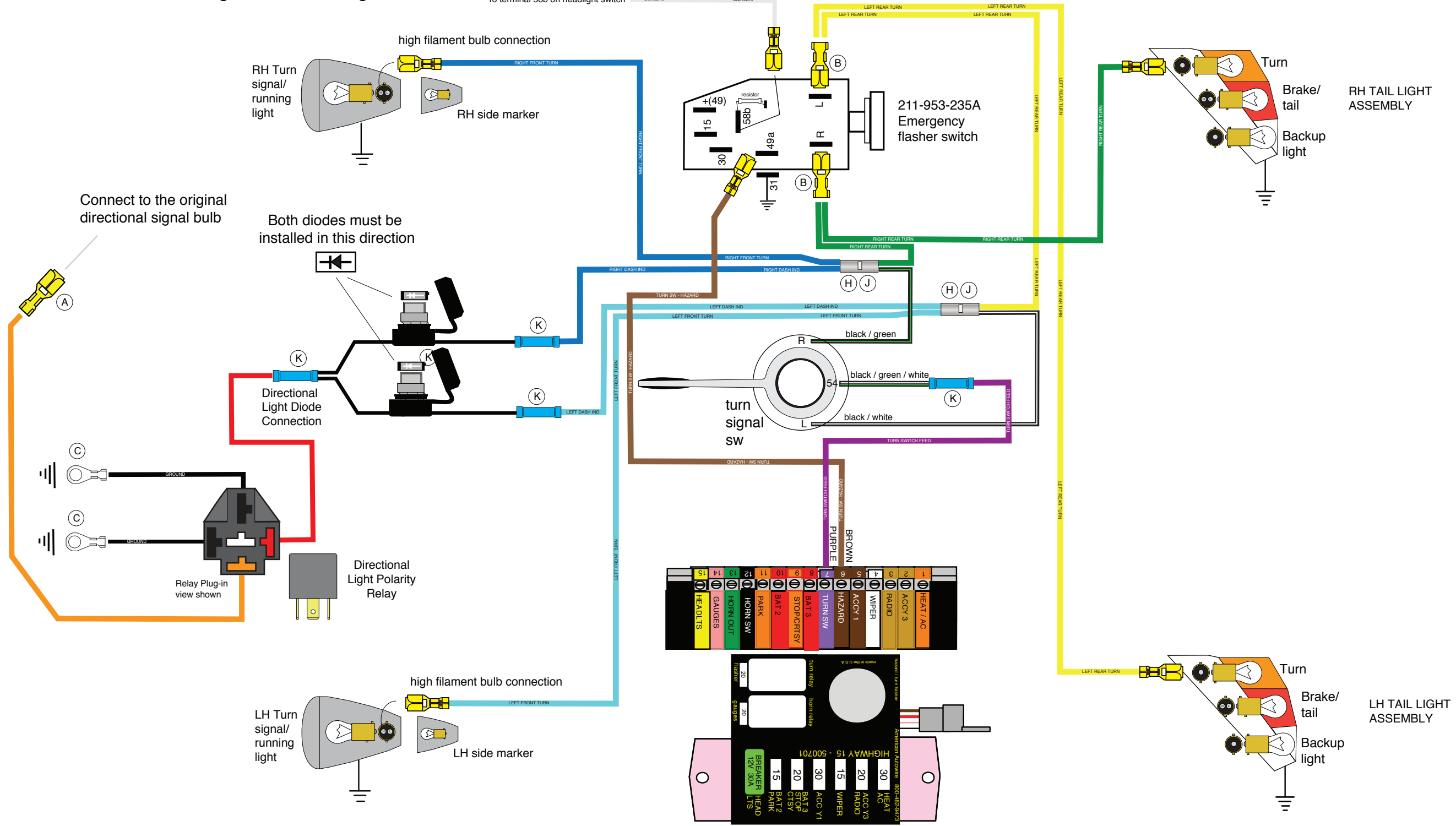
510422

Volkswagen Turn Signal /
Emergency Flasher Wiring Kit

92971332 Rev 2.0 12/27/2017

1970 - 72 Beetle - Turn signal and hazard lights

To terminal 58b on headlight switch



**American
Autowire**

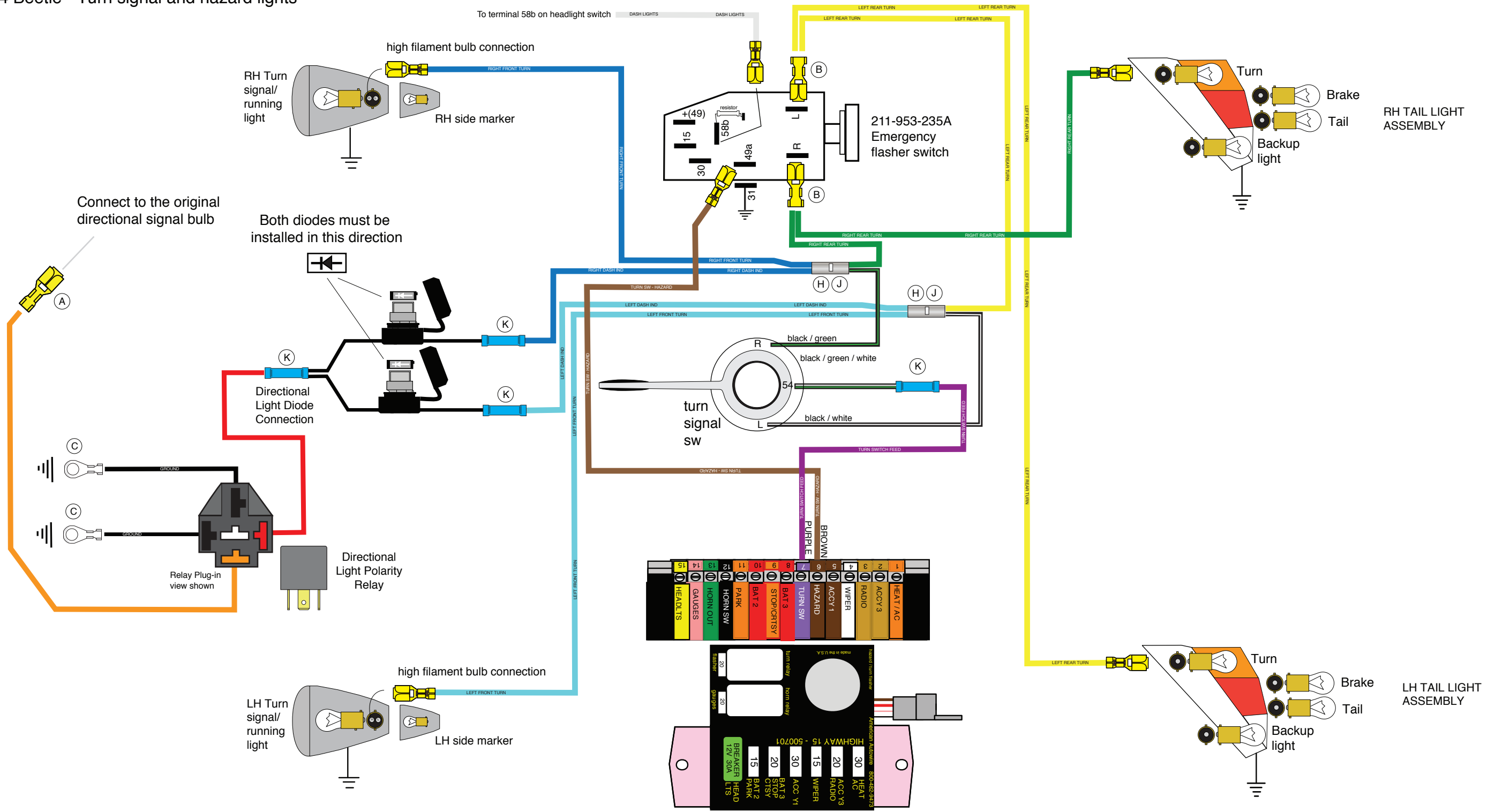
www.americanautowire.com 856-933-0801

510422

Volkswagen Turn Signal /
Emergency Flasher Wiring Kit

92971332 Rev 2.0 12/27/2017

1973-74 Beetle - Turn signal and hazard lights



**American
Autowire**

www.americanautowire.com 856-933-0801

510422

Volkswagen Turn Signal /
Emergency Flasher Wiring Kit

92971332 Rev 2.0 12/27/2017

WIRE FUNCTION CHART

<u>VW CIRCUIT</u>	<u>AAW CIRCUIT</u>	<u>WIRE GAUGE</u>	<u>WIRE COLOR</u>	<u>WIRE PRINTING</u>	<u>CIRCUIT FUNCTION</u>
58B	8	18	Gray	DASH LIGHTS	Emergency flasher terminal 58B to instrument panel light lead from headlight switch
L	14A	18	Light blue	LEFT FRONT TURN	In Line splice to left front directional light
L	14B	18	Light blue	LEFT DASH IND	In Line splice to left dash indicator light
R	15A	18	Dark blue	RIGHT FRONT TURN	In Line splice to right front directional light
R	15B	18	Dark blue	RIGHT DASH IND	In Line splice to right dash indicator light
54	16	16	Purple	TURN SWITCH FEED	Main power from panel connection 7 (TURN SW) to turn signal switch 54 feed wire
49A	27	14	Brown	TURN SWITCH FEED	Main power from panel connection 6 (HAZARD) to emergency flasher switch 49A terminal
L	18A	16	Yellow	LEFT REAR TURN	Turn signal switch to left rear directional
L	18B	16	Yellow	LEFT REAR TURN	In Line splice to emergency flasher terminal "L" for left rear turn
R	19A	16	Dark Green	RIGHT REAR TURN	Turn signal switch to right rear directional
R	19B	16	Dark Green	RIGHT REAR TURN	In Line splice to emergency flasher terminal "R" for right rear turn
	150A	18	Black	GROUND	Ground lead for new directional light polarity relay
	150B	18	Black	GROUND	Ground lead for new directional light polarity relay
	51	18	Red	(none)	12V feed from directional light diode connection to directional light polarity relay
	50	18	Orange	(none)	Output from directional light polarity relay to dash indicator lamp



510422

Volkswagen Turn Signal /
Emergency Flasher Wiring Kit