

Read these notes before beginning installation.

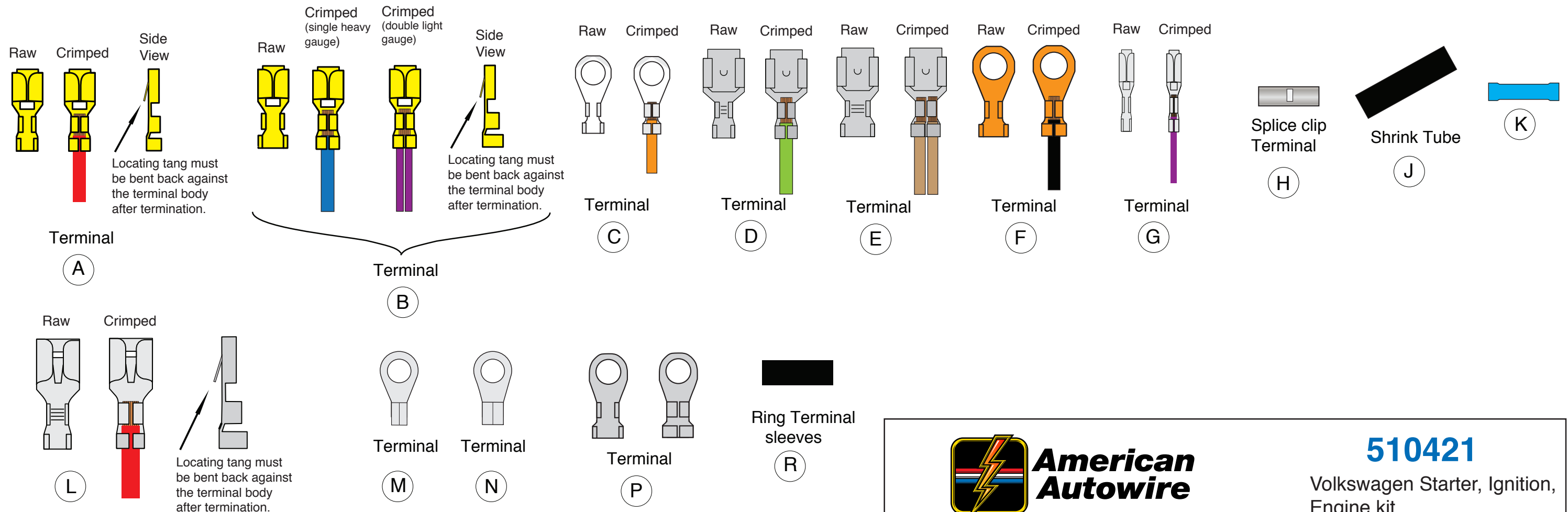
This kit covers the Beetle wiring systems from 1962-1974. During those years there were many changes to the electrical systems that affected switches and subsequent wiring. While this kit is a 12 volt conversion, it is still necessary to consider the systems in those individual years to be sure the kit will accommodate the vehicle design of the year in question. We have researched the system designs and will provide detailed instructions that will enable you to wire this subkit to your vehicle. The design of this kit does not always follow the original wiring design in relation to original schematics and wire color coding. We have chosen a design process that takes into consideration the fact that many original switches are no longer available and that if new old stock parts are available, they are quite expensive. Our philosophy was to design around commercially available components with serviceability being a major consideration. With this in mind, we can discuss the major components that affect the design of this kit.

1. The entire electrical system was originally a 6 volt system through the 1966 model year. The 1967 model was the first year of the 12 volt system.
2. All Beetles used a dash mounted ignition switch through the 1967 model year. Connections are made directly to the switch.
3. From 1968 on, the ignition switch was mounted in the steering column. Connections were made to jumper wires that were hard wired to the switch.
4. Battery cables are not included in this kit.

Again, there are no battery cables, speedometer clusters, carburetor components or switches supplied with this kit. These components must be supplied by the installer.

Terminals used in this installation.

This kit contains a supply of terminals to complete the connections to the required switches and light assemblies. We have supplied additional terminals in the event that extra terminals are necessary. Each connection on the following diagrams identifies a specific terminal by a letter code that will correspond to the letter code on the terminals identified below. The terminals below are shown in actual size to help you identify the terminal required for each connection. Many of the terminals on the following drawings are already installed on the wires. These terminals will be shown in the crimped configuration and will not have a letter code next to the terminal.



**American
Autowire**

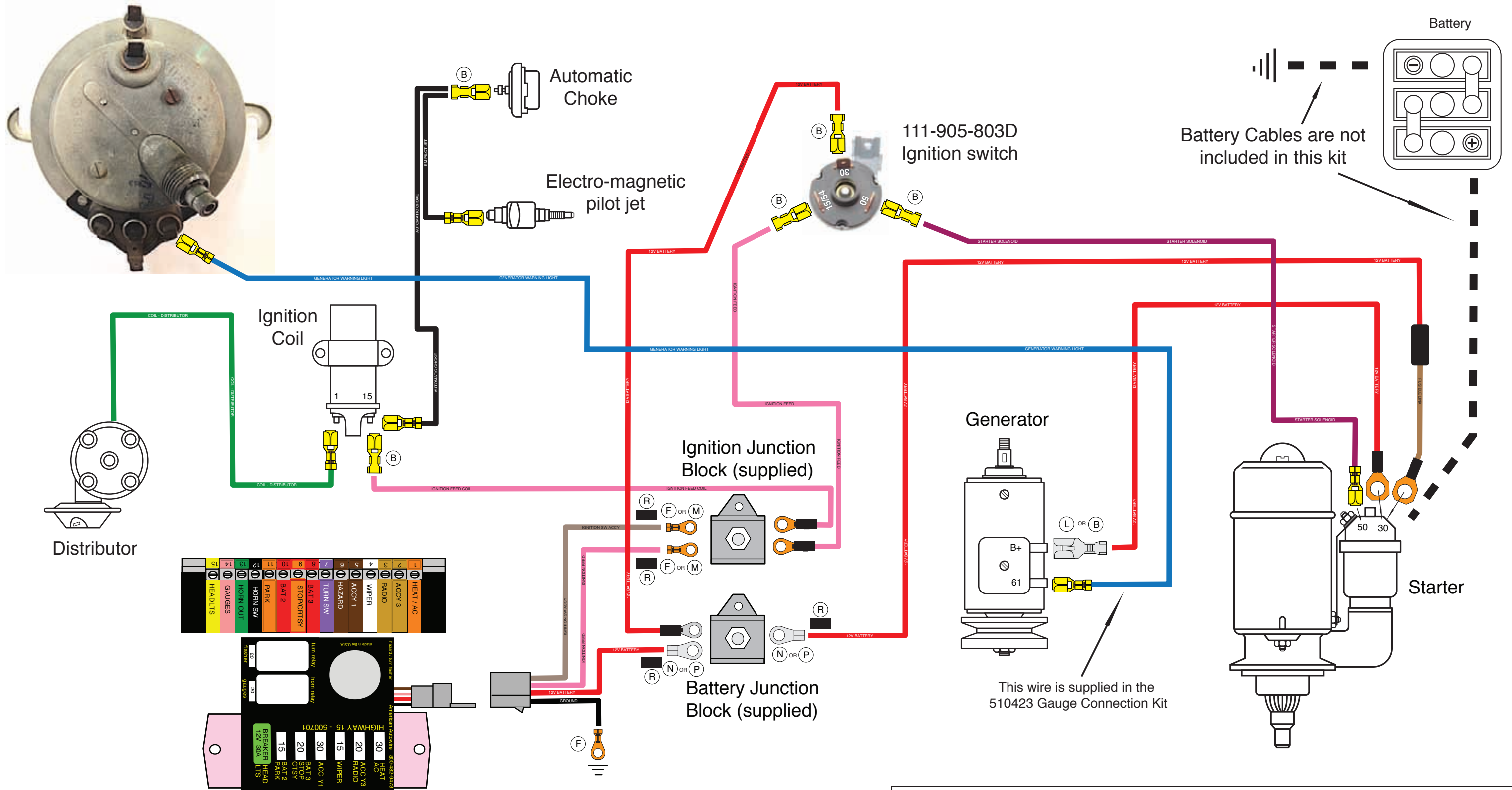
www.americanautowire.com 856-933-0801

510421

Volkswagen Starter, Ignition,
Engine kit

92971336 Rev 0.0 10/1/2015

1962-66 Beetle - Ignition and Starter.



**American
Autowire**

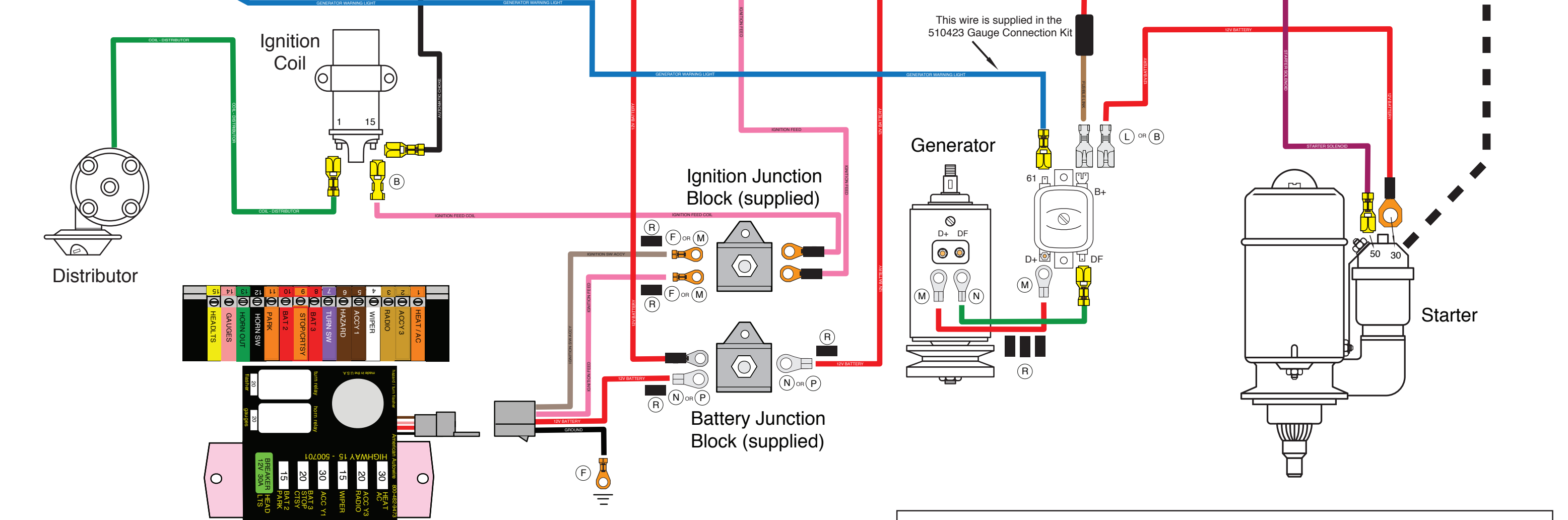
www.americanautowire.com 856-933-0801

510421

Volkswagen Starter, Ignition,
Engine kit

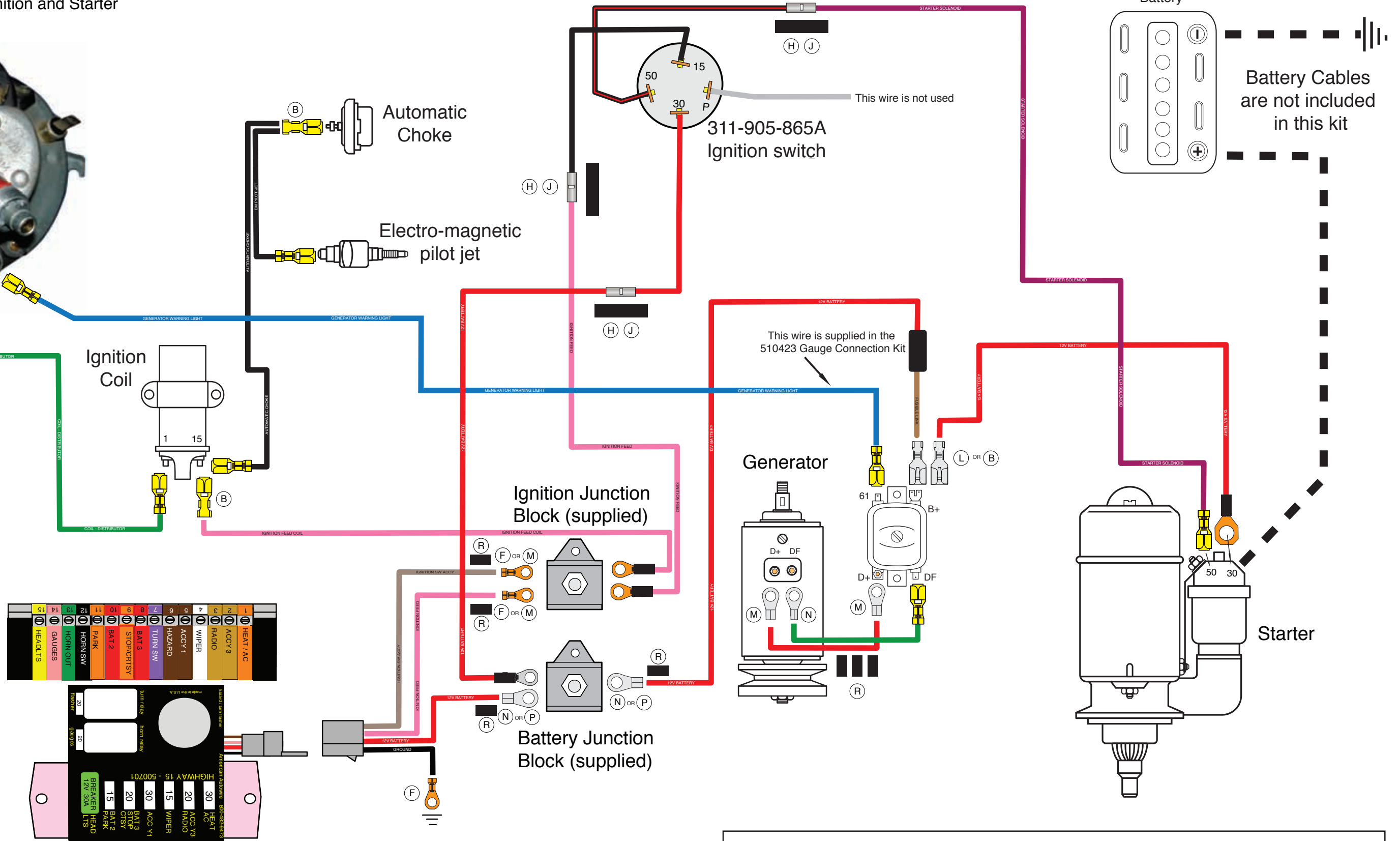
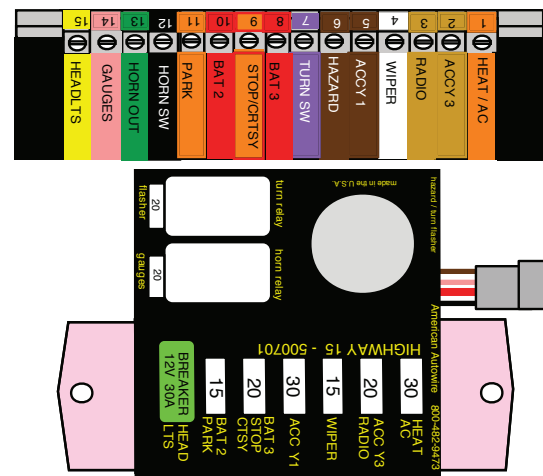
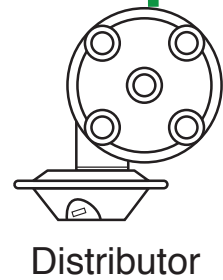
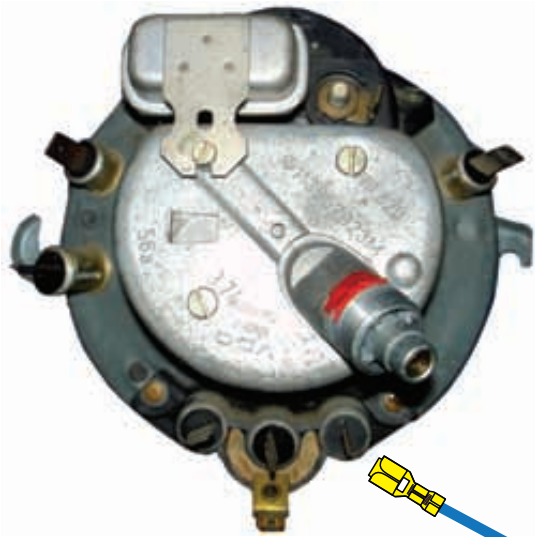
92971336 Rev 0.0 10/1/2015

1967 Beetle - Ignition and Starter



510421
 Volkswagen Starter, Ignition,
 Engine kit

1968-1970 Beetle - Ignition and Starter



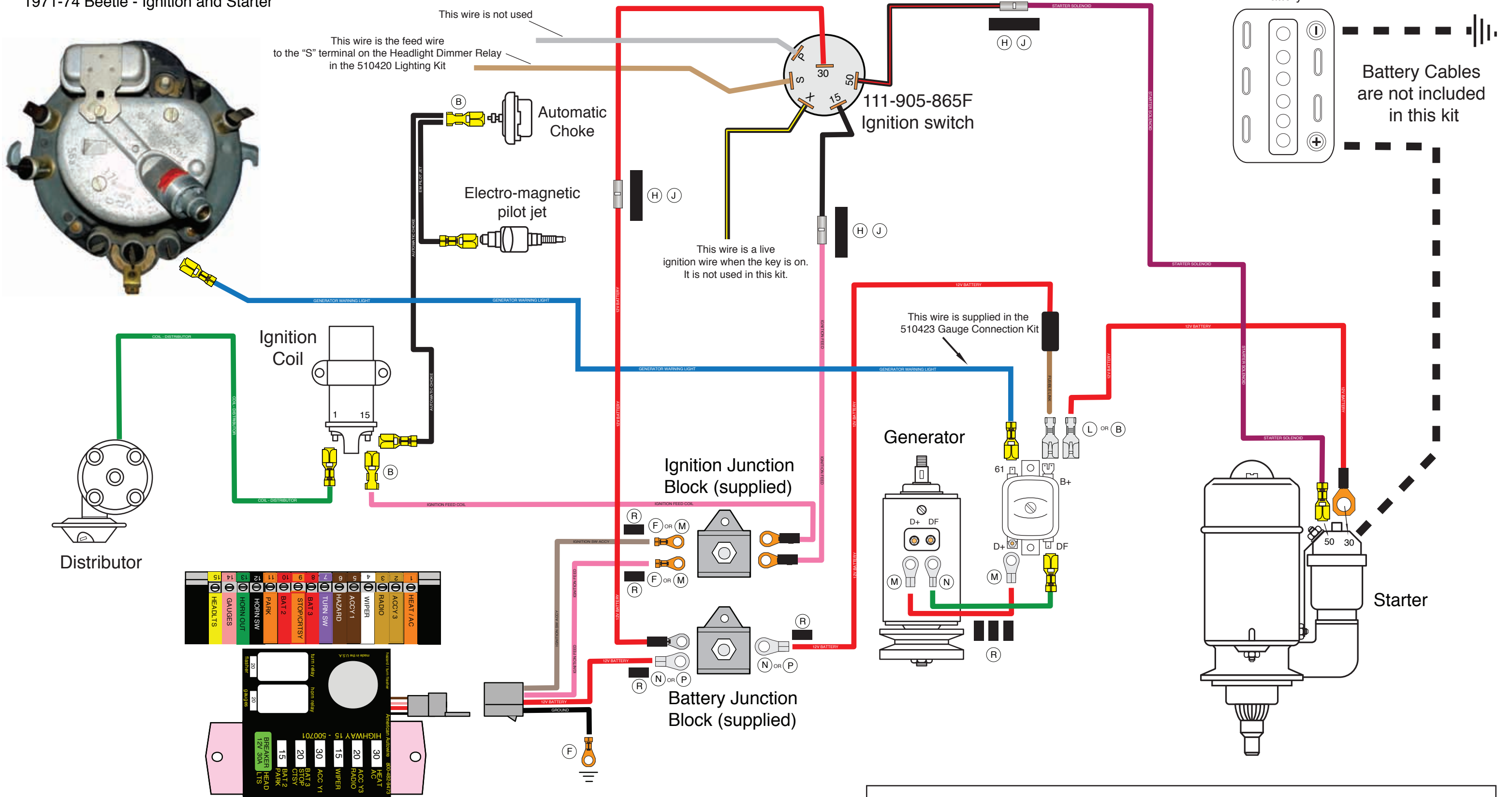
www.americanautowire.com 856-933-0801

510421

Volkswagen Starter, Ignition, Engine kit

92971336 Rev 0.0 10/1/2015

1971-74 Beetle - Ignition and Starter



**American
Autowire**

www.americanautowire.com 856-933-0801

510421

Volkswagen Starter, Ignition,
Engine kit

92971336 Rev 0.0 10/1/2015

WIRE FUNCTION CHART

<u>VW CIRCUIT</u>	<u>AAW CIRCUIT</u>	<u>WIRE GAUGE</u>	<u>WIRE COLOR</u>	<u>WIRE PRINTING</u>	<u>CIRCUIT FUNCTION</u>
30	2A	10	Red	12V BATTERY	Panel connector to battery junction block
15	3A	12	Pink	IGNITION FEED	Panel connector to Ignition junction block
	4	12	Brown	IGNITION SW ACCY	Panel connector to Ignition junction block
	150	14	Black	GROUND	Panel connector to chassis ground
15	3B	12	Pink	IGNITION FEED	Ignition junction block to ignition switch (1962-67) Ignition junction block to ignition switch in line splice (1968 up)
15	3C	12	Pink	IGNITION FEED - COIL	Ignition junction block to coil
	122	14	Dark Green	COIL - DISTRIBUTOR	Lead wire from coil to distributor
30	2B	12	Red	12V BATTERY	Battery junction block to fusible link in line splice connection
30	2D	12	Red	12V BATTERY	Battery junction block to ignition switch (1962-67) Battery junction block to ignition switch in line splice (1968 up)
30	2C	14	Brown	fusible link	Fusible link in line splice connection to starter battery terminal
30	2E	12	Red	12V BATTERY	Lead wire from regulator to starter battery terminal
30	2F	10	Red	12V BATTERY	Lead wire from generator "D+" terminal to regulator "D+" terminal
	152	16	Dark Green	GENERATOR - REGULATOR	Lead wire from generator "DF" terminal to regulator "DF" terminal
31	151	14	Black	GROUND	Ground wire from regulator to generator "31" terminal
50	6	12	Purple	STARTER SOLENOID - S	Ignition switch to starter solenoid (1962-67) Ignition switch in line splice to starter solenoid (1968 up)
	51	16	Black	AUTOMATIC CHOKE	Lead wire from coil to automatic choke
	52	16	Black	EM PILOT JET	Lead wire from automatic choke to electro-magnetic pilot jet



**American
Autowire**

www.americanautowire.com 856-933-0801

510421

Volkswagen Starter, Ignition,
Engine kit

92971336 Rev 0.0 10/1/2015