

PART # **510623** bag **G**

DESCRIPTION:
**1969 Pontiac Firebird
 Classic Update Series Kit**

92971446 Rev. 0.0 1/4/2016

Note: Prior to installing the Dash Harness, obtain the Fuse, Flasher, and Relay Kit #500707 and plug all of the Fuses and Flashers in the Fuse Block (See page 7 for the location of the fuses and flashers). Install the Horn Relay to the Dash Harness (see circuit branch #7).

Fuse Block Attachment

Locate the original factory Bulkhead rectangular hole in the center of the Firewall. The new Fuse Block/Bulkhead Assembly will mount in this Firewall hole, using screws "A" (see Page 7 – the Parts Legend).

Dash Harness Installation Instructions

The Dash Harness routing will be the same as the original factory Instrument Panel Wiring Harness routing. Be sure to duplicate this routing. Now proceed to the individual Circuit Branch Instructions below.

Circuit Branch #1

Headlight Dimmer Switch Connector Route this wiring branch to the Dimmer Switch (500042), which is included in this Dash Kit, and connect. Now attach the Dimmer Switch to the floor pan.

Wire #	Wire Color	Printing	Description
10	Yellow	DIMMER SW FEED	Feed from the Headlight Switch.
11A	Light Green	HEADLIGHT-HI BEAM	Feed for the High Beam Headlights.
12	Tan	HEADLIGHT-LOW BEAM	Feed for the Low Beam Headlights.

Tach Light

Wire #	Wire Color	Printing	Description
4D	Brown	no printing	Feed for factory Tach; requires use of original Tach harness. If you do not have the original Tach harness, see the Instrument Cluster instruction drawing, 92971449, for available AAW Tach harnesses.

Accessory Connector Use the provided 6-way empty connector, which is attached to the 6-way Accessory connector on the Dash Harness, and terminals "D" and "E" (see Page 7 – the Parts Legend) to add power wires (not provided) for the following optional systems:

Wire #	Wire Color	Printing	Name on Fuse Block	Fuse Rating	Description
100	Tan	no printing	ACCY1	30A	Fused 12 volt ACCESSORY feed (may also be used to feed power to an accessory circuit).
103	Dark Blue	no printing	FUEL	15A	Fused 12 volt IGNITION feed for fuel pump (may also be used to feed power to another ignition circuit).
104	Orange	no printing	BAT1	20A	Fused 12 volt BATTERY feed for power seats (may also be used to feed power to another battery circuit).
107	Pink	no printing	IGN1	20A	Fused 12 volt IGNITION feed for cruise control (may also be used to feed power to another ignition circuit).
115	Red	no printing	BAT2	30A	Fused 12 volt BATTERY feed for power door locks (may also be used to feed power to another accessory circuit).
116	Yellow	no printing	PWRWDO	30A	Fused 12 volt IGNITION feed for power windows (may also be used to feed power to another ignition circuit).

Emergency Brake Connect to the emergency brake switch.

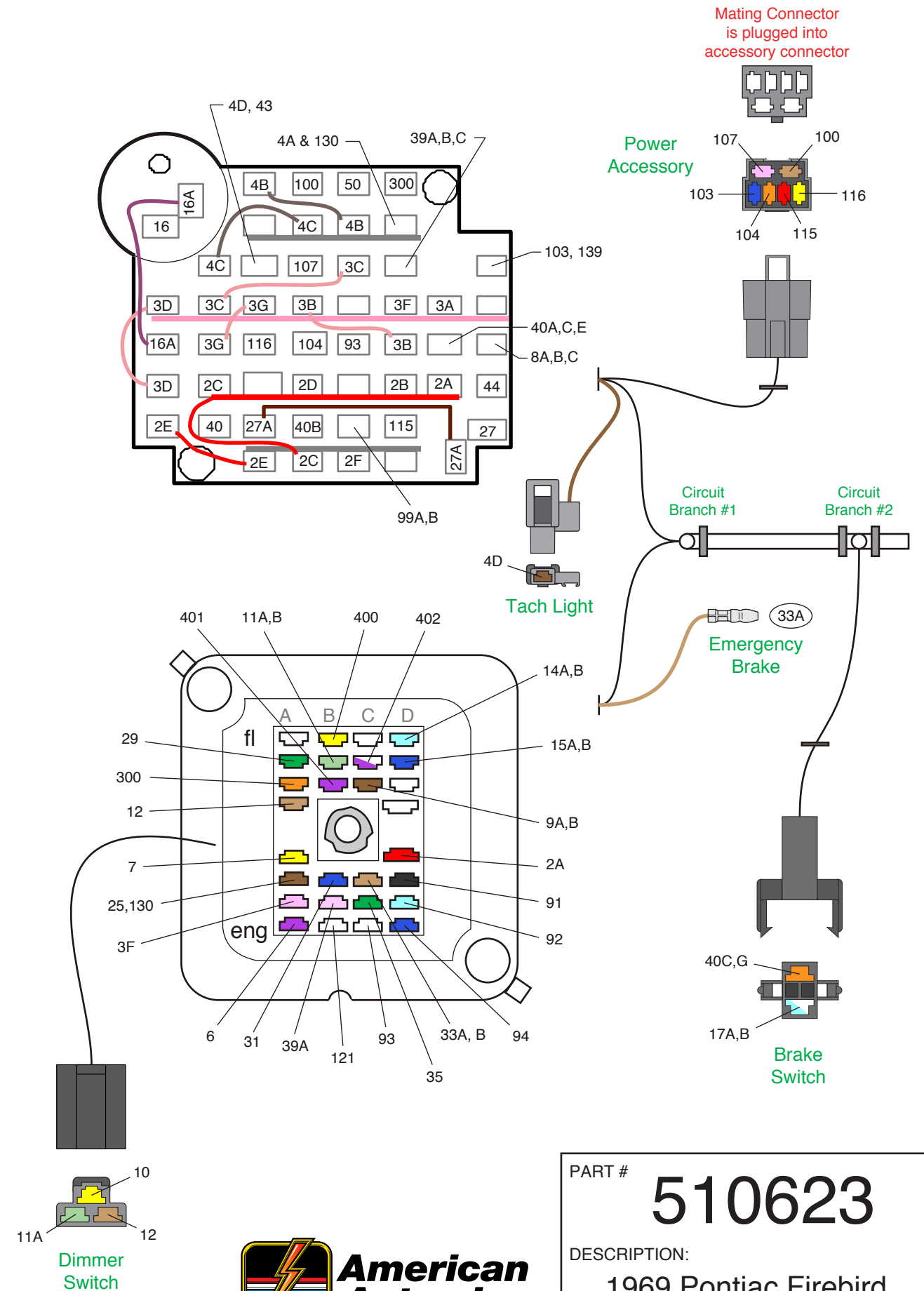
Wire #	Wire Color	Printing	Description
33A	Tan	no printing	This is the ground circuit for the parking brake switch light.

Circuit Branch #2

Brake Switch

Stop Light Switch Connector Plug this connector into the factory brake switch.

Wire #	Wire Color	Printing	Description
17A	Light Blue	THIRD BRAKE LIGHT	For optional third brake light, in the Rear Body harness.
17B	White	BRAKE SW	Brake Switch output feed for the Turn Signal Switch.
40C, G	Orange	12V BATTERY-FUSED	12V Battery Fused feed from the Fuse Block.



www.americanautowire.com 856-933-0801

PART # **510623**

DESCRIPTION:
**1969 Pontiac Firebird
 Classic Update Series Kit**

92971446 Rev. 0.0 1/4/2016

Circuit Branch #3

LH Courtesy Light Connector Plug this connector into the supplied **500708** Courtesy Light Kit, on the driver side.

Wire#	Wire Color	Printing	Description
40E, F	Orange	12V CTSY SW	12V Battery feed for the Courtesy Light.
156B, C	White	CTSY GROUND	Courtesy Light ground. Attach this ring terminal to a good ground.

Rear Body Connector This 9-way connector will plug into the 9-way connector of the Rear Body Harness (reference: Rear Body Harness Kit **500673**).

Wire #	Wire Color	Printing	Description
9A	Brown	PARK LIGHTS	Feed for the Tail Lights, License Light, and the Rear Side Marker Lights.
17A	Light Blue	THIRD BRAKE LIGHT	Feed for an optional aftermarket Third Brake Light.
18	Yellow	LEFT REAR TURN	Feed for the Left Rear Stop and Turn Light.
19	Dark Green	RIGHT REAR TURN	Feed for the Right Rear Stop and Turn Light.
24	Light Green	BACK UP LT SW ® LIGHTS	Feed from the Back-up Light Switch for the Back-up Lights.
30	Tan	GAS GAUGE	For the Fuel Tank Sender.
40A	Orange	12V BATTERY-FUSED	Feed for the Dome/Courtesy Light.
156A	White	CTSY GROUND	Dome Light ground for the Headlight/ LH Courtesy Light Switches.

Circuit Branch #4

Wiper Switch Connector Plug this connector to the Wiper Switch.

Wire #	Wire Color	Printing	Description
91	Black	no printing	Ground circuit for low speed.
92	Light Blue	no printing	Ground circuit for hi speed.
94	Dark Blue	no printing	Ground circuit for washer.

Headlight Switch Connector Plug this connector onto the Headlight Switch (**500332**), which is included in this Dash Kit, and connect. Now attach the Headlight Switch to the Dash.

Wire #	Wire Color	Printing	Description
2B	Red	12V BATTERY	Battery feed for the Headlight Switch for the Headlights.
9B	Brown	PARK LIGHTS	Feed for the Front Park Lights.
9C	Brown	PARK LIGHTS	Feed for the Front Park Lights.
10	Yellow	DIMMER SW FEED	Feed for the Dimmer Switch.
40	Orange	12V BATTERY-FUSED	12V Battery feed for the Headlight Switch, for the Park Lights and the Courtesy Lights.
44	Dark Green	no printing	Headlight Switch feed to the Fuse Block, for the Dash Lights.
156A, B	White	CTSY GROUND	Courtesy Light/Dome Light ground through the Headlight Switch.

Circuit Branch #5

Ground

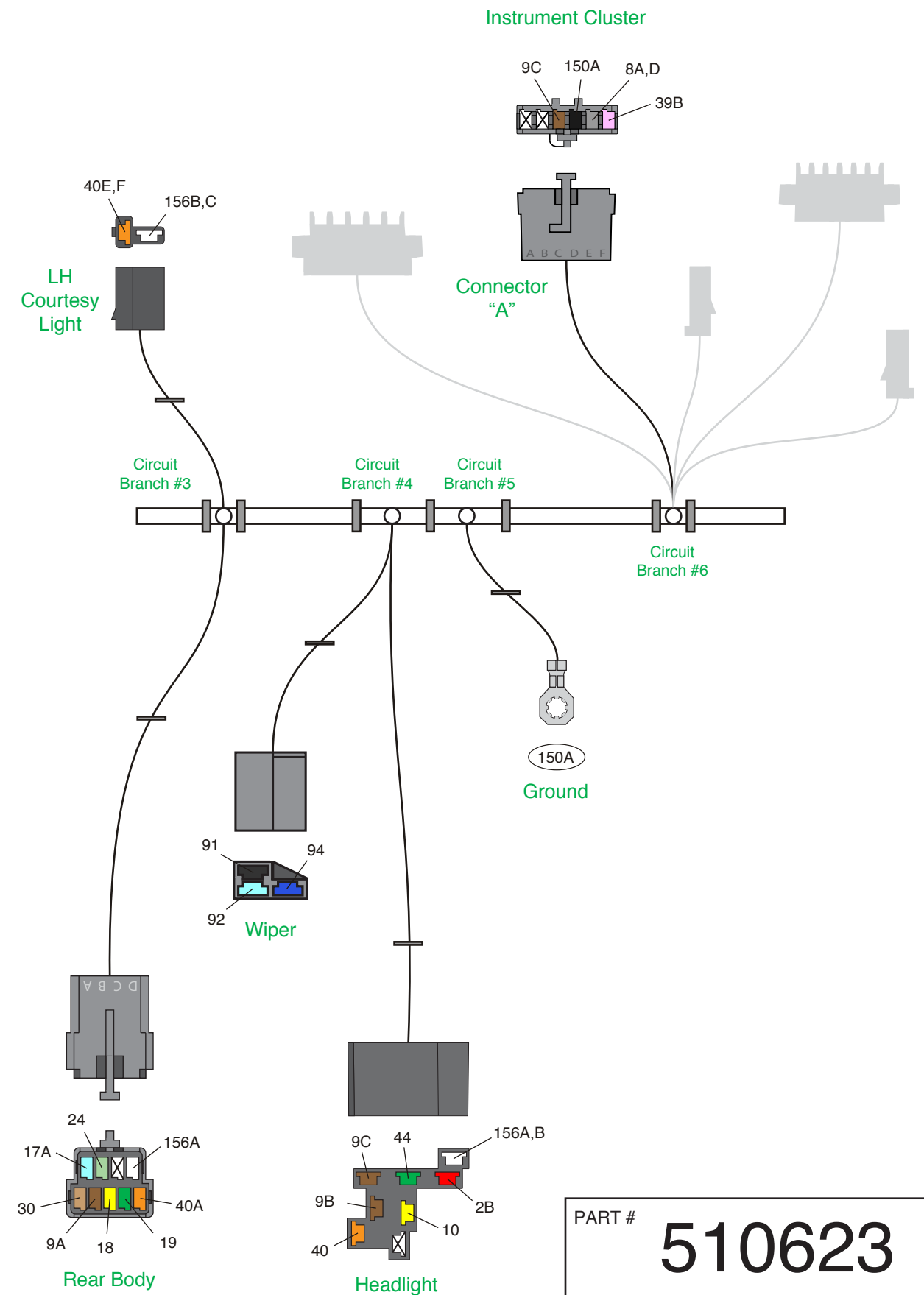
Wire #	Wire Color	Printing	Description
150A	Black	GROUND	Ground wire for aftermarket gauges; attach to a good chassis ground.

Circuit Branch #6

Instrument Cluster Connections These connections will plug into the Cluster Connector Kit **510624**. Instructions are included in that kit.

Cluster Connector "A"

Wire #	Wire Color	Printing	Description
8A, D	Gray	DASH LIGHTS	Fused 12V from the Fuse Block for the Cluster Illumination Lights.
9C	Brown	PARK LIGHTS	Supplies signal to aftermarket gauges with nighttime dimming function.
39B	Pink	12V IGNITION	Fused 12V Ignition feed.
150A	Black	GROUND	Cluster ground.



PART # **510623**
 DESCRIPTION:
**1969 Pontiac Firebird
 Classic Update Series Kit**
 92971446 Rev. 0.0 1/4/2016

Circuit Branch #6 (continued)

Cluster Connector "B"

Wire #	Wire Color	Printing	Description
11B	Light Green	HI BEAM INDICATOR LIGHT	Feed for the High Beam Indicator Light.
14A	Light Blue	LEFT DASH IND	Feed for the Left Turn Signal Indicator Light.
15A	Dark Blue	RIGHT DASH IND	Feed for the Right Turn Signal Indicator Light.
25	Brown	ALTERNATOR IGN	Feed for the Alternator light.
30	Tan	GAS GAUGE	Fuel Gauge Signal from the Fuel Tank Sending Unit.
31	Dark Blue	OIL PRESSURE SENDER	Oil Pressure Sender Signal from the Engine.
33B	Tan	BRAKE LIGHT/SWITCH	Brake and Parking/Low Pressure Warning Light.
35	Dark Green	WATER TEMP SENDER	Water Temperature Sender Signal from the Engine.
121	White	COIL --> TACH	Tachometer feed for the Ignition Coil.

Cluster Connector "C" This connector contains the wires for an Aftermarket Electric Speedometer. **NOTE: Wires "400" and "401" must remain twisted together.**

Wire #	Wire Color	Printing	Description
139	Pink/White	SPEEDO POWER	12V feed for the Electric Speedometer.
151	Black/White	SPEEDO GROUND	Electric Speedometer Ground.
400	Yellow	VSS GROUND	Vehicle Speed Sensor Ground.
401	Purple	VSS SIGNAL	Vehicle Speed Sensor Signal.
402	Purple/White	VSS POWER	Vehicle Speed Sensor Power.

Clock For factory clock.

Wire #	Wire Color	Printing	Description
99A	Yellow	CLOCK BAT	12V Battery feed for the Clock.

Rheostat Light Rheostat illumination.

Wire #	Wire Color	Printing	Description
8B, E	Gray	DASH LIGHTS	Rheostat illumination.

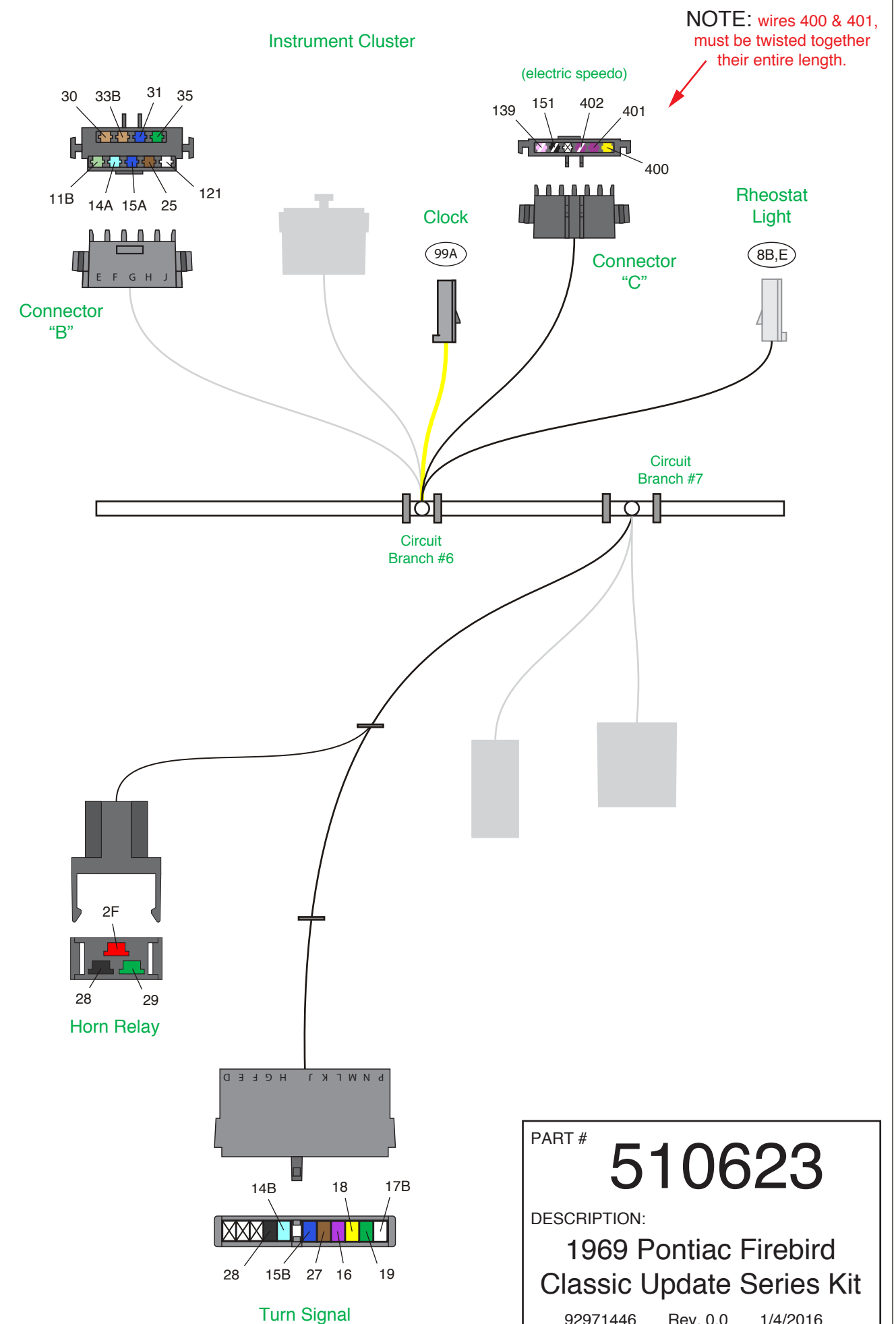
Circuit Branch #7

Horn Relay Connector If you haven't already, plug the Horn Relay (included in kit #500707) into this connector.

Wire #	Wire Color	Printing	Description
2F	Red	12V BATTERY	12V Battery feed for the Horn Relay.
28	Black	HORN RELAY GROUND	Relay ground circuit for the Steering Column Horn Switch.
29	Dark Green	HORN	Feed for the Horns.

Turn Signal Switch Connector This will plug into your original turn signal connector. If you are using a different column you will need to convert the connector on the column, with the parts supplied in the kit, following the instructions on **page 7**.

Wire #	Wire Color	Printing	Description
14B	Light Blue	LEFT FRONT TURN	Left Front Turn Signal feed.
15B	Dark Blue	RIGHT FRONT TURN	Right Front Turn Signal feed.
16	Purple	TURN SWITCH FEED	Turn Signal Switch feed from the Turn Signal Flasher.
17B	White	BRAKE SW	Brake Switch feed for the Turn Signal Switch.
18	Yellow	LEFT REAR TURN	Feed for the Left Rear Turn Signal Light.
19	Dark Green	RIGHT REAR TURN	Feed for the Right Rear Turn Signal Light.
27	Brown	TURN SW – HAZARD	Feed from the Hazard Flasher.
28	Black	HORN RELAY	Ground from the Horn Relay for the Horn Switch.



PART #
510623
 DESCRIPTION:
**1969 Pontiac Firebird
 Classic Update Series Kit**
 92971446 Rev. 0.0 1/4/2016

Circuit Branch #7 (continued)

Back-up Light Switch Connector

Wire #	Wire Color	Printing	Description
24	Light Green	BACK UP LT SW -> LIGHTS	Feed wire for the Back-up Lights.
39C	Pink	12V IGNITION	12V Ignition feed from the Fuse Block.

Neutral Safety Switch Connector Plug into original Neutral Safety Switch. If you are not using a NSS, these wires must be tied together, in order for the car to start.

Wire#	Wire Color	Printing	Description
5	Purple	STARTER SOLENOID-S	Goes from NSS to starter solenoid.
6	Purple	NEUTRAL SAFETY SWITCH	Feed from Ignition Switch to NSS.

Ground **Note: Be sure to attach this ground ring terminal to a good vehicle ground; only necessary if using an aftermarket electric speedo.**

Wire#	Wire Color	Printing	Description
151	Black/white	SPEEDO GROUND	Ground for aftermarket electric speedo; attach to a good chassis ground.

Circuit Branch #8

Ignition Switch Connector "D"

Wire #	Wire Color	Printing	Description
2D	Red	12V BATTERY	12V Battery Feed.

Ignition Switch Connector "E"

Wire #	Wire Color	Printing	Description
3A	Pink	IGNITION FEED	12V Ignition Feed.
4A	Brown	IGNITION SW ACCY	12V Accessory Feed.
5	Purple	STARTER SOLENOID - S	Start circuit.
7	Yellow	no printing	Resistor Bypass.

Circuit Branch #9

Cigar Lighter Connector Plug this connector onto the Cigar Lighter.

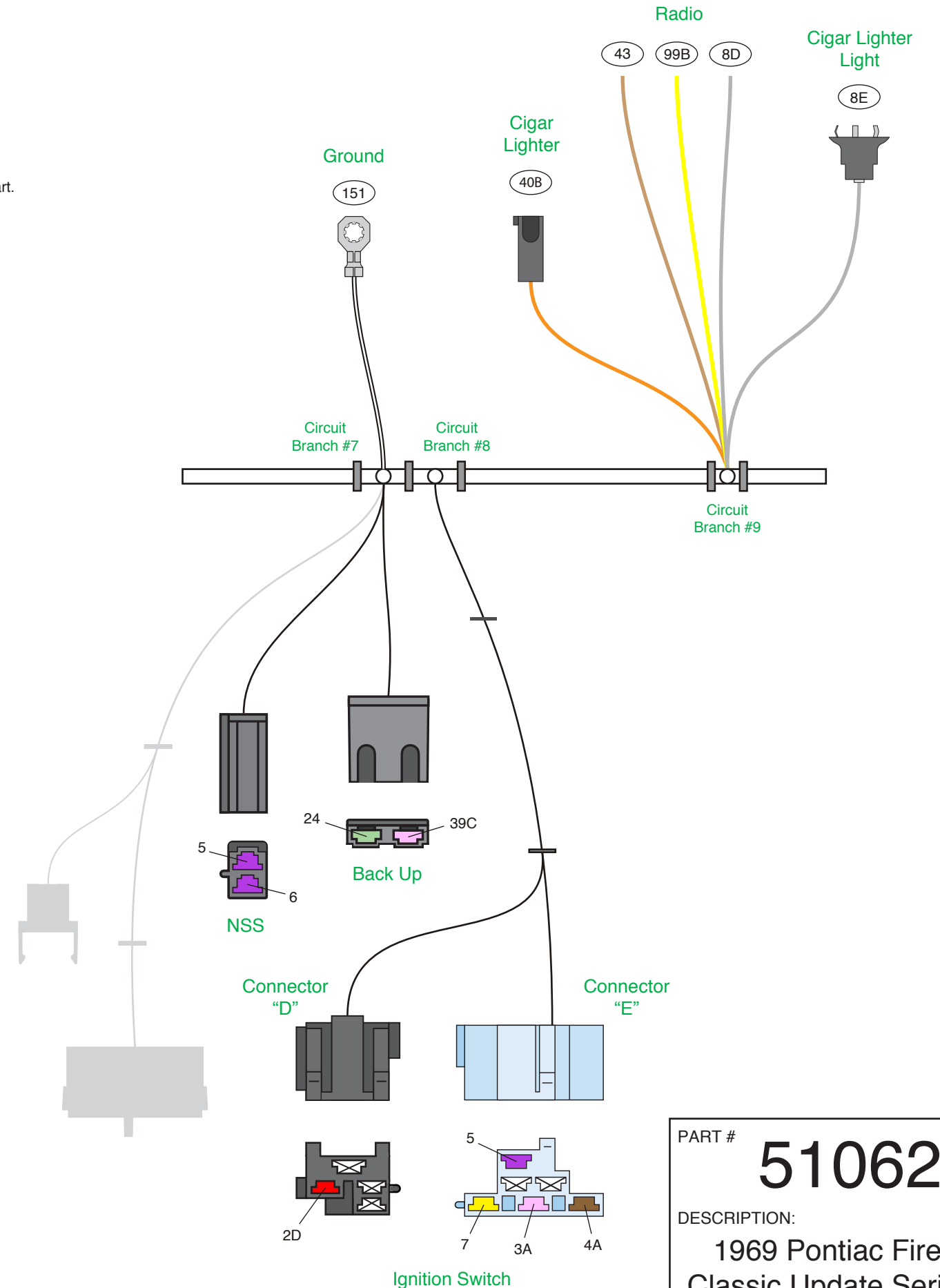
Wire#	Wire Color	Printing	Description
40B	Orange	no printing	Fused 12V Battery feed for the Cigar Lighter.

Radio These circuits are provided for your Radio.

Wire#	Wire Color	Printing	Description
43	Tan	RADIO	12V Fused Keyed Accessory feed for the Radio "On/Off power.
99B	Yellow	RADIO BAT	12V Fused Battery feed for the Radio Memory.
8D	Gray	DASH LIGHTS	Feed for Radio illumination.

Cigar Lighter Light

Wire#	Wire Color	Printing	Description
8E	Gray	DASH LIGHTS	Feed for Cigar Lighter illumination.



PART #
510623
 DESCRIPTION:
**1969 Pontiac Firebird
 Classic Update Series Kit**
 92971446 Rev. 0.0 1/4/2016

Circuit Branch #10

Glove Compartment Light Connector

Plug this connector to your Glove Compartment Light.

Wire#	Wire Color	Printing	Description
40G	Orange	12V BATTERY – FUSED	Feed for the Glove Compartment Light.
40H	Orange	12V BATTERY – FUSED	Extension for original Glove Compartment Light.

Heater Light

Wire#	Wire Color	Printing	Description
8C	Gray	DASH LIGHTS	Feed for the Heater Light.

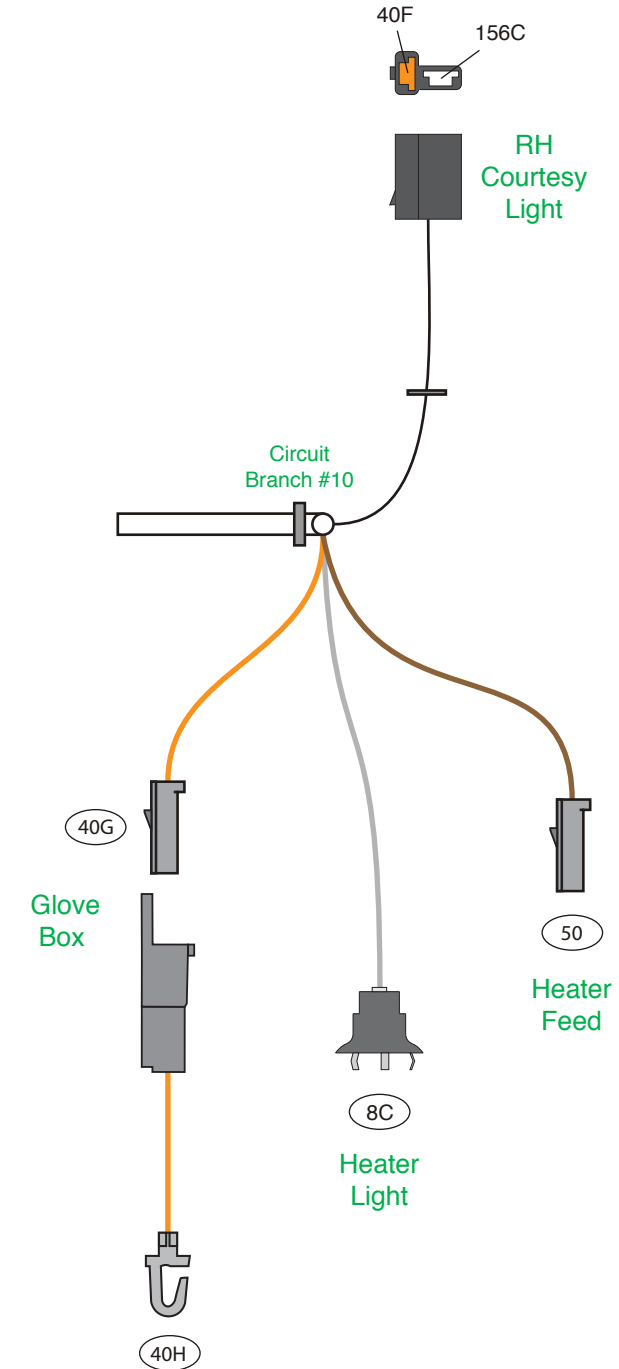
HEATER FEED Plug this connector onto the back of the heater.

Wire#	Wire Color	Printing	Description
50	Brown	HEATER/AC FEED	Feed for the Heater and A/C.

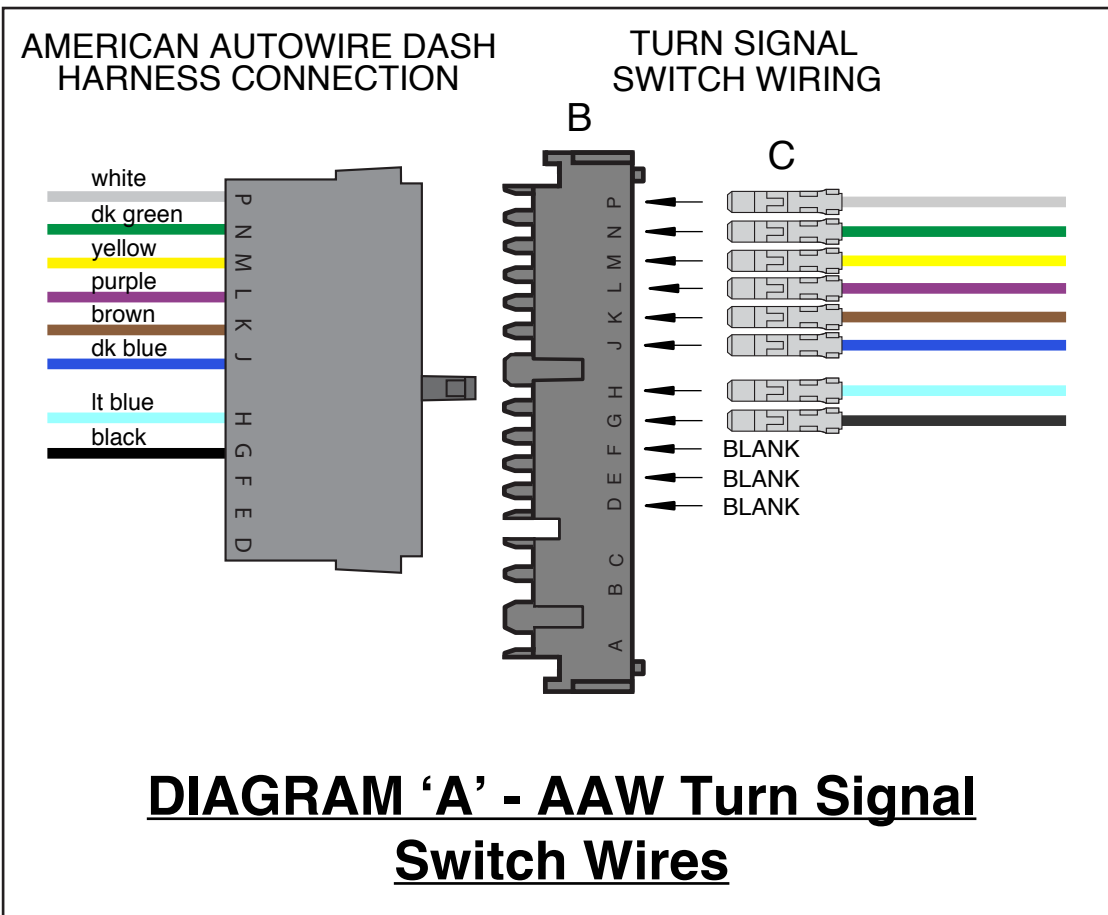
RH Courtesy Light Connector

Plug this connector into the supplied 500708 Courtesy Light Kit, on the passenger side.

Wire#	Wire Color	Printing	Description
40F	Orange	12V CTSY SW	12V Switched feed for the Courtesy Light.
156C	White	CTSY GROUND	Courtesy Light ground.



PART #	510623
DESCRIPTION:	1969 Pontiac Firebird Classic Update Series Kit
92971446	Rev. 0.0 1/4/2016

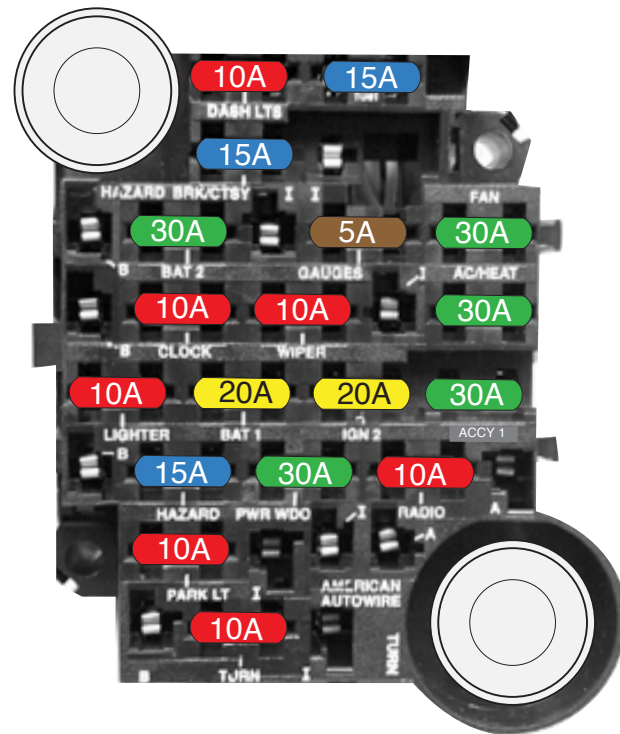


"Table A"

AAW Turn Signal Switch wires to stock 1969 Firebird Turn Signal Switch

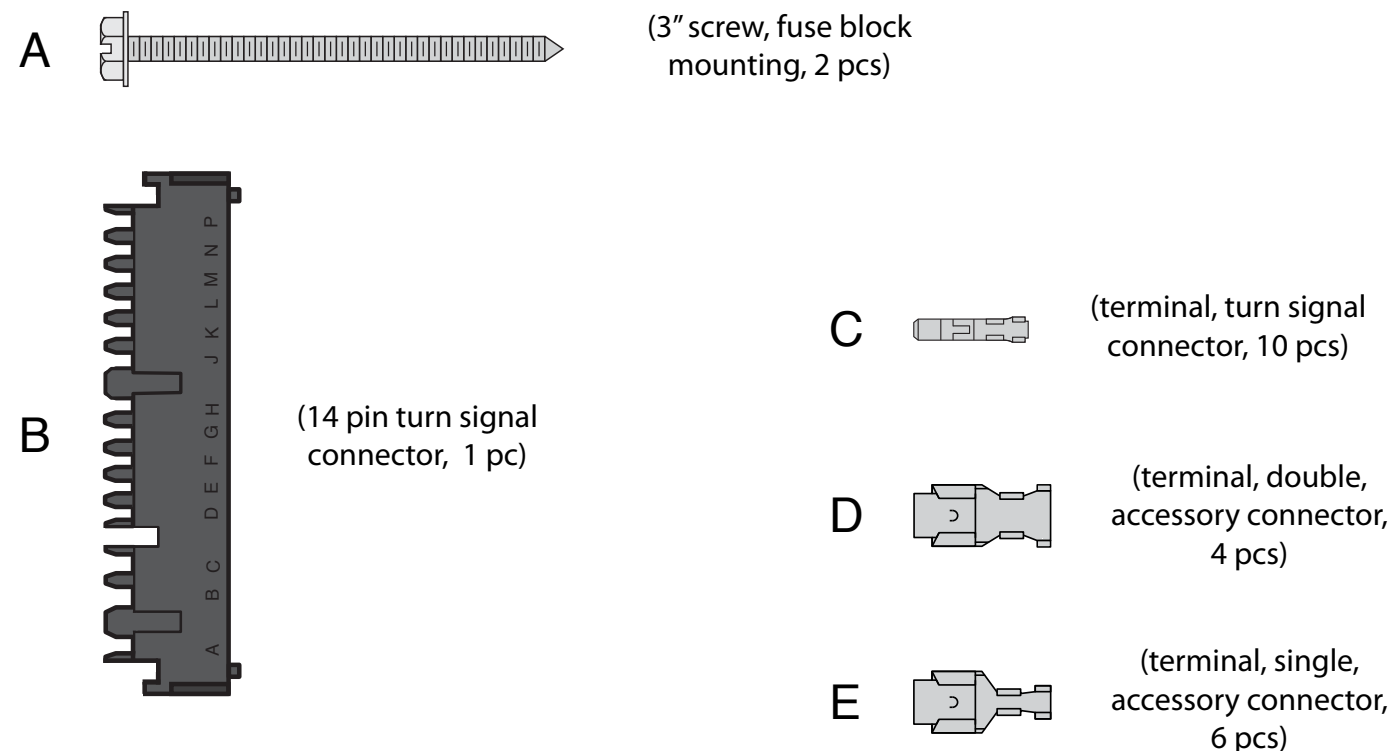
AAW Wire #	AAW Wire Color	AAW Wire Printing	Connector Cavity	Function
17B	White	Brake SW	P	White
19	Dark Green	Right Rear Turn	N	Dark Green
18	Yellow	Left Rear Turn	M	Yellow
16	Purple	Turn Switch Feed	L	Purple
27	Brown	Turn SW - Hazard	K	Brown
15B	Dark Blue	Right Front Turn	J	Dark Blue
14B	Light Blue	Left Front Turn	H	Light Blue
28	Black	Horn Relay Ground	G	Black
None	None	None	F	None
None	None	None	E	None
None	None	None	D	None

NOTE: The Steering Column Horn Button switches ground for a Horn Relay, which then switches power to the Horns, similar to the AAW design.



Populated Fuse Block

Parts Legend



PART # **510623**

DESCRIPTION:
1969 Pontiac Firebird
Classic Update Series Kit

92971446 Rev. 0.0 1/4/2016

**THIS PAGE INTENTIONALLY
LEFT BLANK**

PART #

510623

DESCRIPTION:

**1969 Pontiac Firebird
Classic Update Series Kit**

92971446 Rev. 0.0 1/4/2016