

Optional Wires to be plugged into the 9-way Rear Body Wiring Connector.

Obtain the Rear Body Wiring Harness **510639 in Bag M**. If you have any of the following, plug these wires into the Rear Body Harness 9-way connector first (see pages 4-9):

Third Brake Light, plug in the loose light blue “THIRD BRAKE LIGHT” wire (circuit 17).

Trunk Light, plug in the loose orange “12V BATTERY-FUSED” wire (circuit 40).

Rear Door Jamb Switches for a 4-door vehicle with Courtesy Lights, plug in the loose white “CTSY GROUND” wire (circuit 156).

Routing and Connecting the Rear Body Kit.

Connect the Rear Body Harness 9-way connector to the 9-way Rear Body connector of the Main Dash Harness **510635**, route the Rear Body Harness from the left Side Cowl area to the rear of the vehicle following the original wire routing. Use the original factory retainers (tabs and clips) to attach the wiring to the vehicle.

Note: See the Legend on page 3 for the different connectors, terminals, grommets and pigtails that are available in the Parts Kit 92971544.

Dome Light (pages 4 to 9) The Dome Light in these vehicles requires a 12 volt B+ feed wire and a Courtesy Switch ground wire to the Light. The orange “12V BATTERY-FUSED” wire (circuit 40A) provides the B+ feed, and the white “CTSY GROUND” wire (circuit 156A) provides the switched ground wire. Obtain the **Dome Light Socket & Pigtail “J”** (from the Parts Kit) and install the Socket into the Dome Light Housing. **Note: The Dome Light requires a #Y1004 Light Bulb – not included in this kit.** Route the orange and white wires along the LH Roof Bow and forward to the LH A-Pillar. Route the wires down through the A-Pillar to the 2-way mating connector of the Dash Harness. Cut to length, crimp on terminals “JJ” and plug into the 2-way connector “HH”. Plug the orange wire into cavity A and the white wire into cavity B. You can plug this connector to the Dash Harness.

If you wish to use your **original Dome Light Harness**, cut the 2-way connector off where it mates to the original Instrument Panel Harness, in the LH Side Cowl, crimp on terminals “JJ” and plug into connector “HH”. Your original pink wire will mate with the AAW orange wire (cavity A in the connector) and the original yellow wire will mate with the AAW white wire (cavity B in the connector). You can now plug this connector to the 2-way Dome Light Connector of the Dash Harness.

<u>Wire Color</u>	<u>Printing</u>	<u>Wire Number</u>
Orange	12V BATTERY-FUSED	40A
White	CTSY GROUND	156A

Door Jamb Switches – Rear Doors (pages 4, 6, 7, and 8) The wiring for the Front Door Jamb Switches is included in the Dash Harness, see **Dash Harness Kit 510635** for the Front Door Jamb Switch connections. If you have Rear Door Jamb Switches route the white “CTSY GROUND” wire (circuit 156) in the Rear Body Harness to the LH Rear Door Jamb Switch. Cut to length, slide on sleeve “FF” and crimp on male bullet terminal “CC”. Make a Jumper Harness (as shown on pages 4, 6, 7, or 8) and connect this Jumper Harness to the male bullet terminal “CC” that you just added. You can now route a branch to the LH and RH Rear Door Jamb Switches.

<u>Wire Color</u>	<u>Printing</u>	<u>Wire Number</u>
White	CTSY GROUND	156

Third Brake Light (pages 4 to 9) Obtain the light blue “THIRD BRAKE LIGHT” wire (circuit 17) in the Rear Body Harness and route this wire to the C-Pillar area. Route the wire up the C-Pillar and connect to the Third Brake Light.

<u>Wire Color</u>	<u>Printing</u>	<u>Wire Number</u>
Light Blue	THIRD BRAKE LIGHT	17

Fuel Sender Wire (pages 4 to 9) Obtain the tan “GAS GAUGE” wire (circuit 30) in the Rear Body Harness and route it in the vicinity of the Fuel Tank Sender grommet in the Trunk Floor. Crimp on terminal “R” and plug it into connector “Q”.

Fuel Sender (pages 4 to 9) Obtain the Fuel Tank Connector Pigtail “K” and feed the tan wire of the pigtail through Grommet “AA”. Route the rubber molded connector through the floor and connect to the Fuel Sender on the Gas Tank. Seat the grommet “AA” securely into the floor. Route the tan Fuel Tank Sender wire to the Rear Body Harness connector “Q”, cut to length, crimp on terminal “V” and plug into connector “U”. You can connect the two connectors.

<u>Wire Color</u>	<u>Printing</u>	<u>Wire Number</u>
Tan	GAS GAUGE	30

Trunk Light Assembly (pages 4 to 9) Route the orange “12V BATTERY-FUSED” wire (circuit 40) to your original Trunk Light Wiring Assembly. Cut to length, slide on sleeve “FF” and crimp on male terminal “CC”. Remove the original connector from the Trunk Light Assembly, slide on sleeve “EE” and crimp on female bullet terminal “DD”. You can now make the connection to the black Trunk Light Wire.

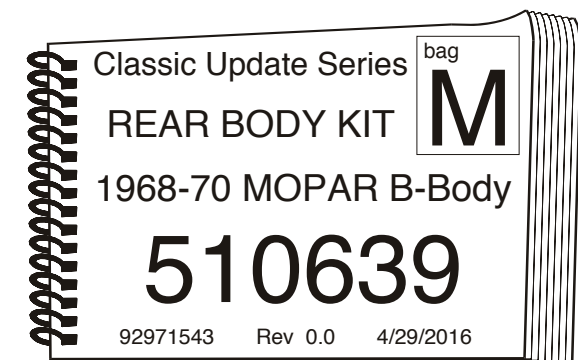
<u>Wire Color</u>	<u>Printing</u>	<u>Wire Number</u>
Orange	12V BATTERY-FUSED	40

Various Pigtail Assemblies

Obtain the appropriate Pigtail and Socket Assemblies (shown on page 3) from the Parts Kit **92971544** for your vehicle (see pages 4-9 for your specific model year and vehicle requirements).

Various Grommets

Included in your kit are three different size grommets (shown on page 3) from Parts Kit **92971544** for your Rear Body Harness Installation. Grommet “AA” fits in a 3/4” hole, “BB” fits in a 1/2” hole and “GG” fits in a 7/8” hole. One of the “AA” Grommets will always be used for the tan Fuel Sender wire. The other three grommets (“AA”, “BB”, and “GG”) are used for the License Light and/or Back-up Light wiring. You will have to confirm your grommet hole size in your vehicle and use the proper grommet for that vehicle application. Grommet “AA” may need to have the pass through hole enlarged if you are incorporating more than one wire. Be sure to route the wires through the Grommets, before you crimp any terminals to the wires.



Left Hand Turn Signal Wire (pages 4 to 9) Obtain the yellow “LEFT REAR TURN” wire (circuit 18) from the Rear Body Harness and route it to the LH Tail Light Pigtail (“A” or “C”), cut to length, install terminal “R” or “S” (if you have two LH Tail Lights) and plug into connector “N”. Continue to route the yellow wire to the second LH Tail Light (if equipped) and cut to length, install terminal “R” and plug into the second connector “N”.

<u>Wire Color</u>	<u>Printing</u>	<u>Wire Number</u>
Yellow	LEFT REAR TURN	18

Right Hand Turn Signal Wire (pages 4 to 9) Obtain the dark green “RIGHT REAR TURN” wire (circuit 19) from the Rear Body Harness and route it to the RH Tail Light Pigtail (“B” or “D”), cut to length, install terminal “R” or “S” (if you have two RH Tail Lights) and plug into connector “N”. Continue to route the dark green wire to the second RH Tail Light (if equipped) and cut to length, install terminal “R” and plug into the second connector “N”.

<u>Wire Color</u>	<u>Printing</u>	<u>Wire Number</u>
Dark Green	RIGHT REAR TURN	19

LH Tail Light and Side Marker Wires (all) Route the brown “REAR RUNNING LIGHTS” wire (circuit 9) from the Rear Body Harness to the LH Side Marker Pigtail “L” (if equipped), cut to length, double this wire with the cut off portion, crimp on terminal “Z” and plug into connector “X”. Route the loose piece of wire to the first LH Tail Light Pigtail (“A” or “C”) cut to length, double this wire with the cutoff portion, crimp on terminal “S” and plug into the first LH connector “N”. Route the loose piece of wire to the second LH Tail Light Pigtail (“A” or “C”) (if equipped), cut to length, double this wire with the cutoff portion, crimp on terminal “S” and plug into the second LH connector “N”.

Rear Running Lights and License Light Wires (1969-70 Charger, page 9) Continue routing the brown “REAR RUNNING LIGHTS” wire (circuit 9) to the LH Running Light Pigtail “H”, cut to length, double this wire with the cut off portion, crimp on terminal “S”, and plug into connector “P”. Route the loose piece of wire to the original License Light Pigtail, cut to length. Double this wire with the cut off portion and slide on grommet “GG” (7/8”) over these two wires. Now slide on sleeve “EE” over these two wires and crimp on female bullet terminal “DD”. Continue routing the brown wire to the RH Running Light Pigtail “H”, cut to length, double this wire with the cut off portion and crimp on terminal “S” and plug into connector “P”.

RH Tail Light and Side Marker Wires (all) Route the loose brown wire to the first RH Tail Light Pigtail (“B” or “D”) cut to length, double this wire with the cut off portion, crimp on terminal “S”, and plug into the first RH connector “N”. Route the loose brown wire to the second RH Tail Light Pigtail (“B” or “D”) (if equipped), cut to length, double this wire with the cut off portion, crimp on terminal “S”, and plug into the second RH connector “N”. Route the loose wire to the RH Side Marker Pigtail “L” (if equipped), cut to length, double this wire with the cutoff portion, crimp on terminal “Z” (or terminal “Y” for the 1969-70 Charger) and plug into the RH Side Marker connector “X”.

License Light (all except page 9) From the RH Side Marker, route the brown wire (circuit 9) to the original 1-wire License Light Pigtail, cut to length, slide on grommet (“AA”, “BB”, or “GG”) to the brown wire. Slide on rubber sleeve “EE” and crimp on terminal “DD”. Route this female bullet terminal “DD” through the hole in the Rear Valence Panel, seat the grommet in the hole, and plug the terminal to the original License Light Pigtail.

<u>Wire Color</u>	<u>Printing</u>	<u>Wire Number</u>
Brown	REAR RUNNING LIGHTS	9

Back-Up Lights (pages 4, 5, and 8 with the Back-up Lights in the Tail Light Housing) Obtain the light green “BACK UP LT SW” wire (circuit 24) from the Rear Body Harness and route this wire to the LH Back-Up Light Pigtail “G”, cut to length, double this wire with the cut off portion, install terminal “S”, and plug into connector “P”. Route the loose end of this light green wire over to the RH Back-Up Light Pigtail “G”, cut to length, crimp on terminal “R” and plug into connector “P”.

Back-Up Lights (pages 6, 7, and 9 with Separate Back-up Lights) For the vehicles with the Back-up Lights separated from the Tail Light Housing and located in or below the Rear Bumper, you will not use one of the new Back-up Light Pigtails but will connect to the Original Back-up Light Pigtail.

For Separate Back-Up Lights with a male bullet pigtail (page 7 and 9) Obtain the light green “BACK UP LT SW” wire (circuit 24) from the Rear Body Harness and route this wire up to the existing Back-up Light Wiring grommet hole. Route the wire through either the “AA” or the “GG” grommet to one of the original Back-Up Light Pigtails, cut to length, double this wire with the cut off portion, slide on sleeve “EE” and crimp on female bullet terminal “DD”. Route the loose end of the wire to the other Original Back-up Light Pigtail, cut to length, slide on sleeve “EE” and crimp on terminal “DD”.

For Separate Back-Up Lights with a female bullet pigtail (page 6) Obtain the light green “BACK UP LT SW” wire (circuit 24) from the Rear Body Harness and route this wire to the existing Back-up Light Wiring grommet hole, cut to length, slide on sleeve “FF” and crimp on male bullet terminal “CC”. Obtain the loose light green wire and route the wire from the male bullet terminal “CC” through either the “AA” or the “GG” grommet and then to the LH Back-up Light. Cut to length and slide on sleeve “FF” and crimp on male bullet terminal “CC”. Route another piece of the light green wire, similar to the previous step, but to the RH Back-up Light. Add a sleeve “FF” and crimp another male bullet terminal “CC” as before. For the two light green wires near the first terminal “CC”, slide on sleeve “EE” and crimp on female bullet terminal “DD”.

<u>Wire Color</u>	<u>Printing</u>	<u>Wire Number</u>
Light Green	BACK UP LT SW	24

Tail Light Ground Jumpers These ground Jumpers “M” are used to ground the Side Markers, the Tail Light Sockets, the Running Lights, and the Back-Up Light Sockets. Find a good ground location for the ring terminal near the Trunk Latch.

Left Hand Ground Wire **Note: vehicles that have the Back-up Lights mounted below or in the Rear Bumper do not require a ground wire to the Back-up Lights.**

Obtain the Ground Jumper “M” and locate a good ground for the ground ring terminal and attach it to ground.

Route the black “GROUND” wire (circuit 150) from the Ground Pigtail “M” to the LH Back up Light Pigtail “G” (if equipped), cut to length, double this wire with the cut off portion, crimp on terminal “S” and plug into connector “P”.

Route the black ground wire to the LH Running Light Pigtail “H” (if equipped), cut to length, double this wire with the cut off portion, crimp on terminal “S” and plug into connector “P”.

Route the black ground wire to the first LH Tail Light Pigtail (“A” or “C”), cut to length, double this wire with the cutoff portion, crimp on terminal “S” and plug into the first connector “N”.

Route the black ground wire to the second LH Tail Light Pigtail (“A” or “C”) (if equipped), cut to length, double this wire with the cutoff portion, crimp on terminal “S” and plug into the second connector “N”.

Route the loose black wire to the LH Side Marker Pigtail “L”, cut to length, crimp on terminal “Y”, and plug into the LH Side Marker connector “X”.

Right Hand Ground Wire (Repeat the process for the RH Ground).

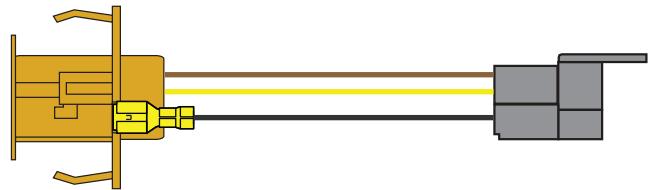
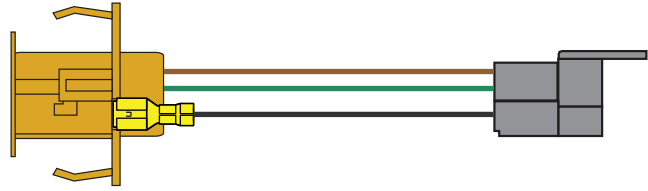
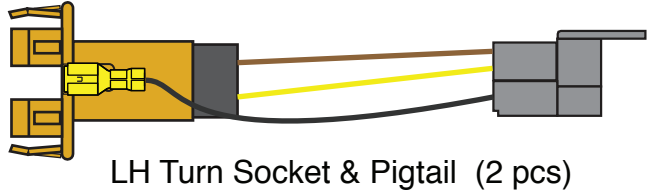
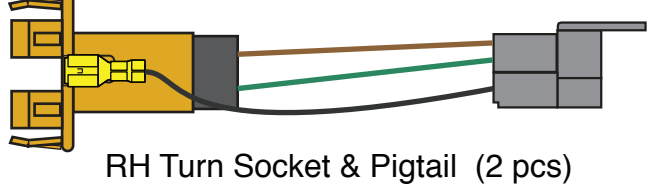
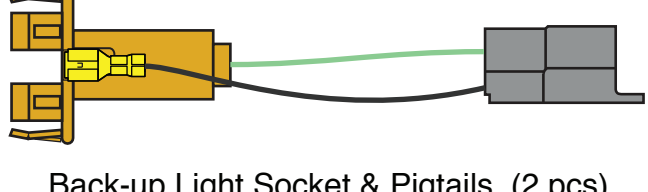
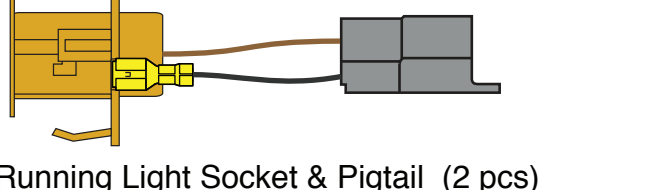
<u>Wire Color</u>	<u>Printing</u>	<u>Wire Number</u>
Black	GROUND	150


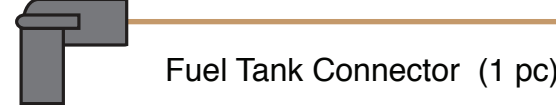

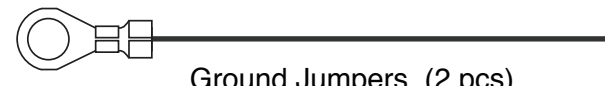
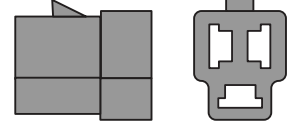


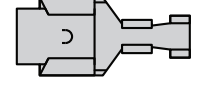
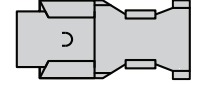

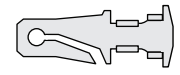
1968-70

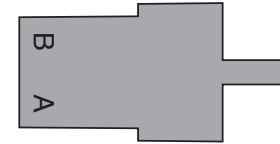
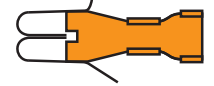
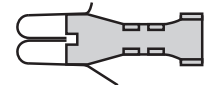
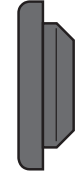
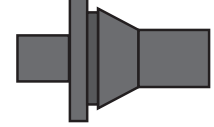




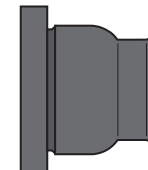
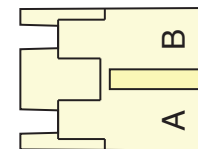

Mopar B-body
REAR BODY KIT

510639

Classic Update Series

- A  LH Turn Socket & Pigtail (2 pcs)
- B  RH Turn Socket & Pigtail (2 pcs)
- C  LH Turn Socket & Pigtail (2 pcs)
- D  RH Turn Socket & Pigtail (2 pcs)
- G  Back-up Light Socket & Pigtails (2 pcs)
- H  Running Light Socket & Pigtail (2 pcs)

- J  Dome Light Socket & Pigtail (1 pc)
- K  Fuel Tank Connector (1 pc)
- L  Side Marker Light Extensions (2 pcs)
- M  Ground Jumpers (2 pcs)
- N  (56 Series 3-way female connector, 4 pcs)
- P  (56 Series 2-way female connector, 2 pcs)
- Q  (56 Series single female connector, 1 pc)
- R  (56 Series single female terminal, 8 pcs)
- S  (56 Series double female terminal, 17 pcs)
- U  (56 Series single male connector, 1 pc)
- V  (56 Series single male terminal, 2 pcs)

- X  (Pack Con 2-way female connector, 2 pcs)
- Y  (Pack Con single female terminal, 5 pcs)
- Z  (Pack Con double female terminal, 5 pcs)
- AA  (grommet, 3/4" hole, 2 pcs)
- BB  (grommet, 1/2" hole, 1 pc)
- CC  (Single male bullet terminal, 9 pcs)
- DD  (Single female bullet terminal, 9 pcs)
- EE  (Large rubber sleeve, 9 pcs)
- FF  (Small rubber sleeve, 9 pcs)
- GG  (grommet, 7/8" hole, 1 pc)
- HH  (Pack Con 2-way male connector, 1 pc)
- JJ  (Pack Con single male terminal, 3 pcs)

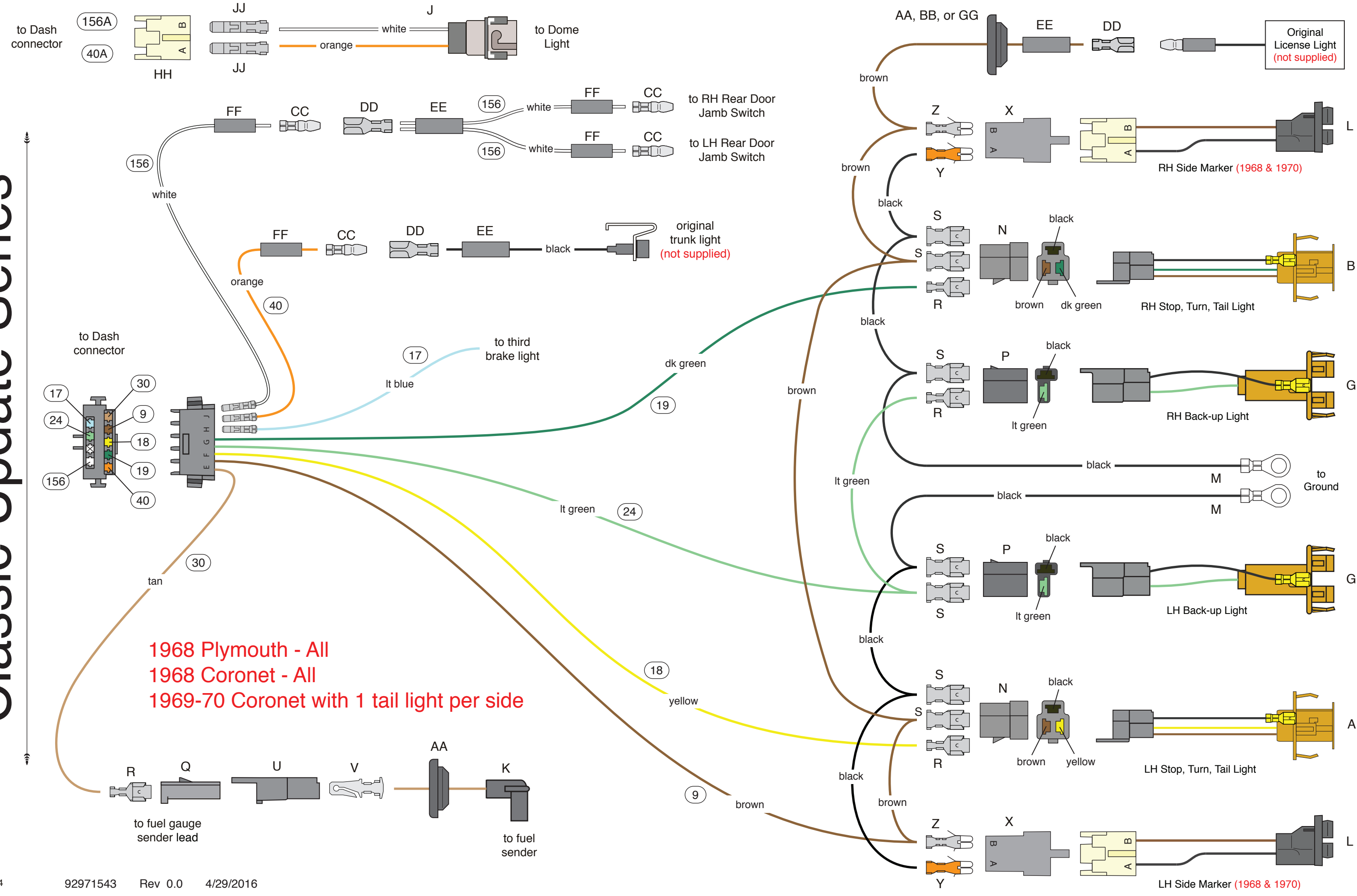
1968-70

Mopar B-body
REAR BODY KIT

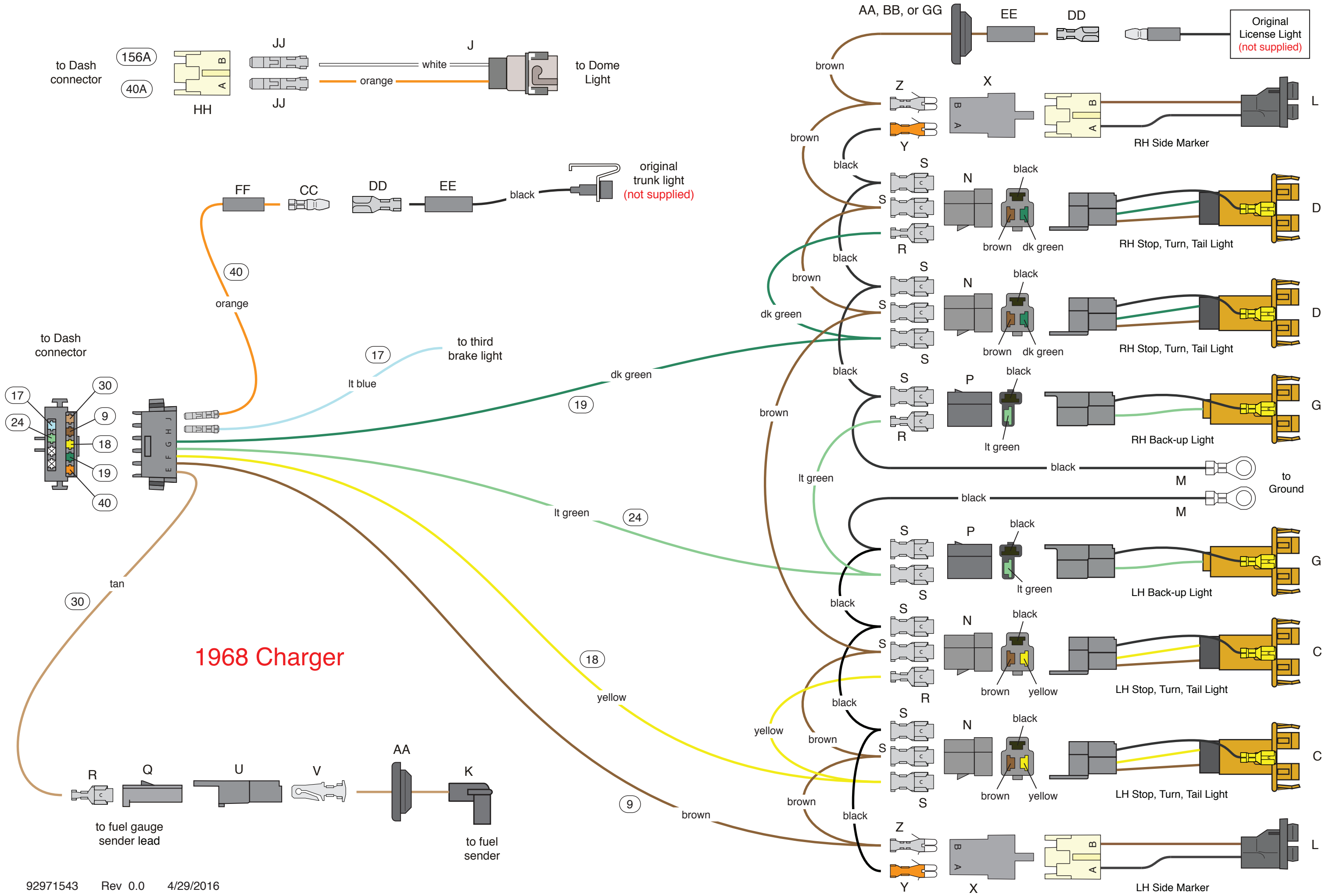
510639

92971543 Rev 0.0 4/29/2016

Classic Update Series

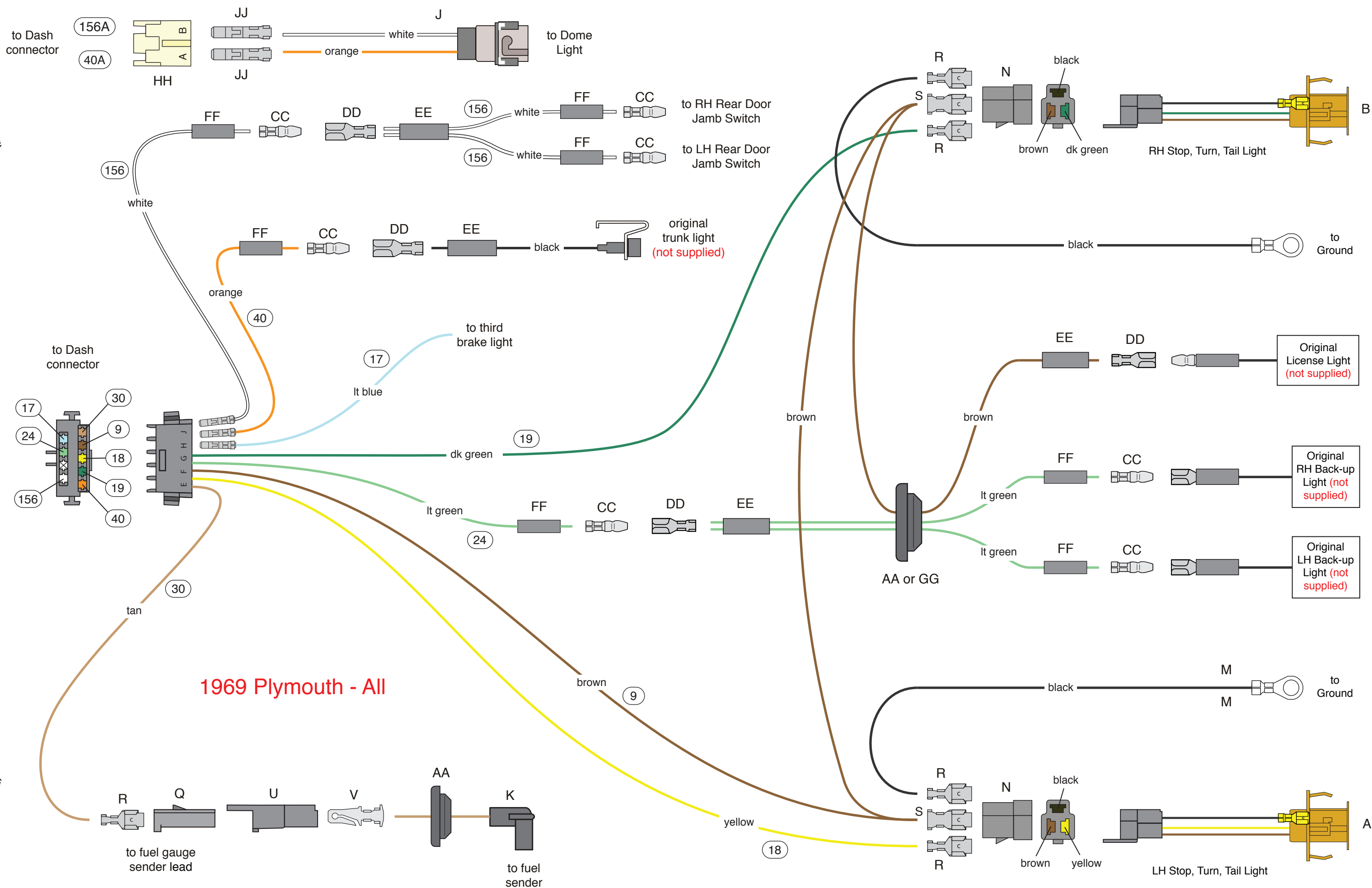


Classic Update Series

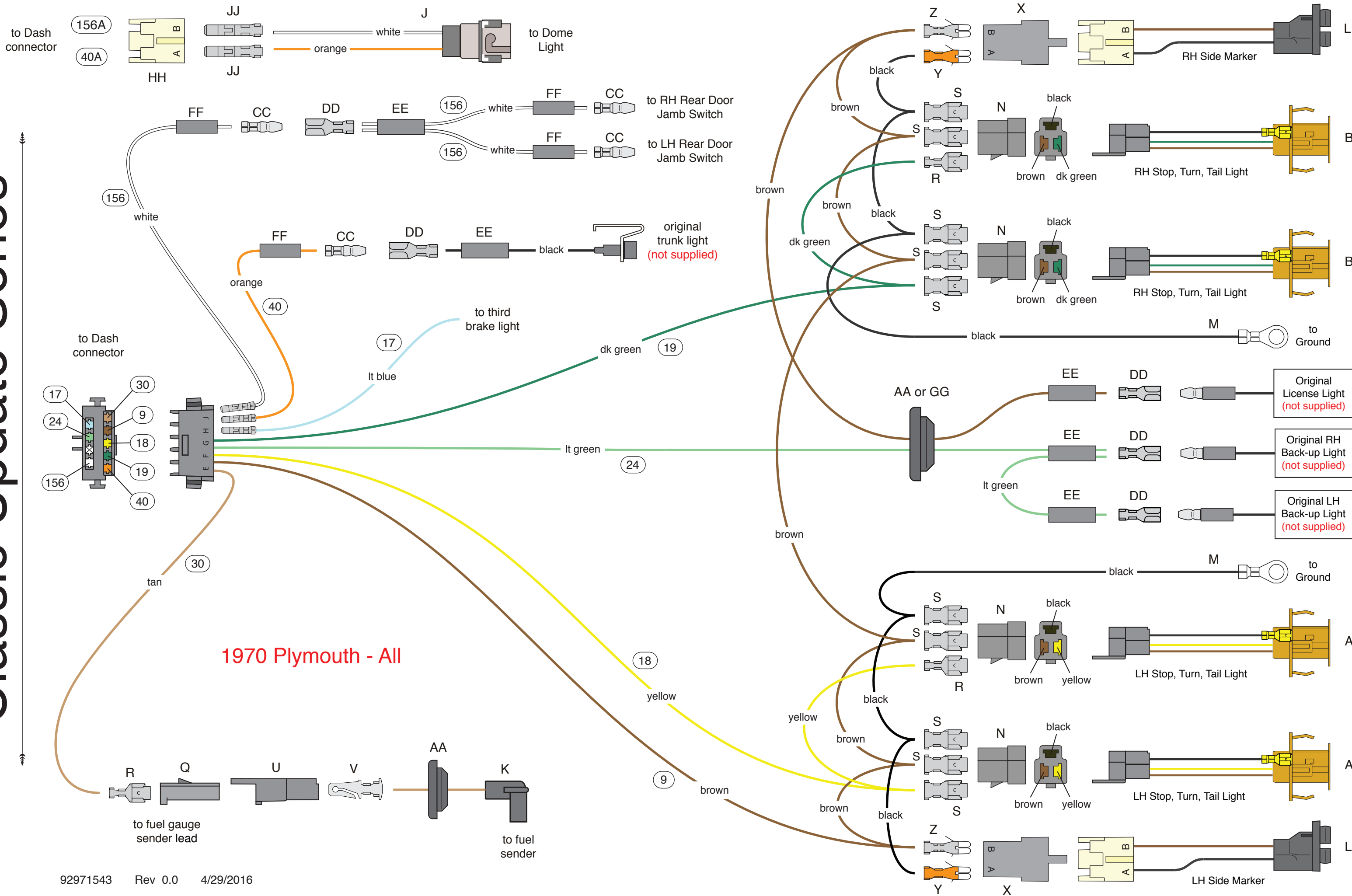


1968 Charger

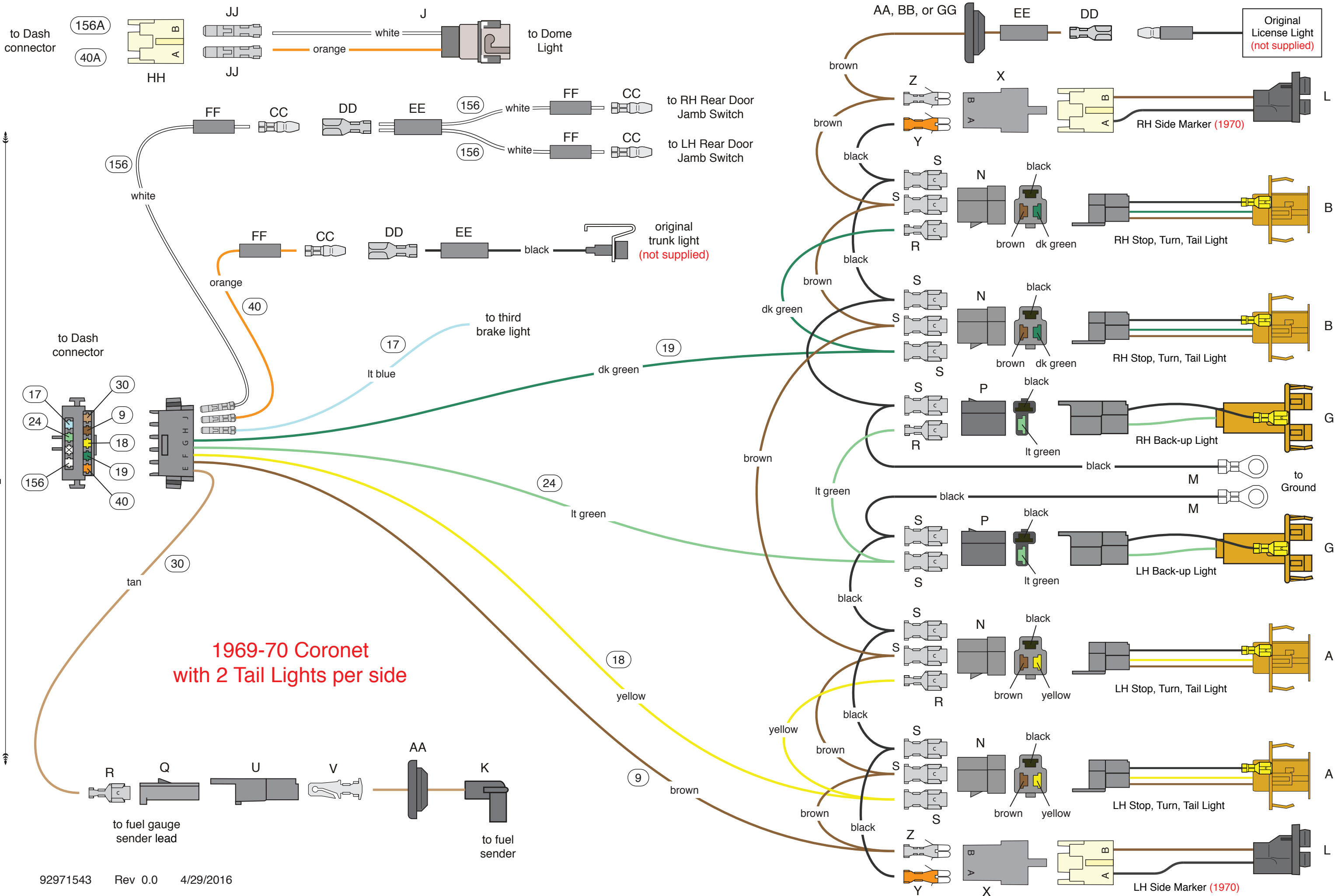
Classic Update Series



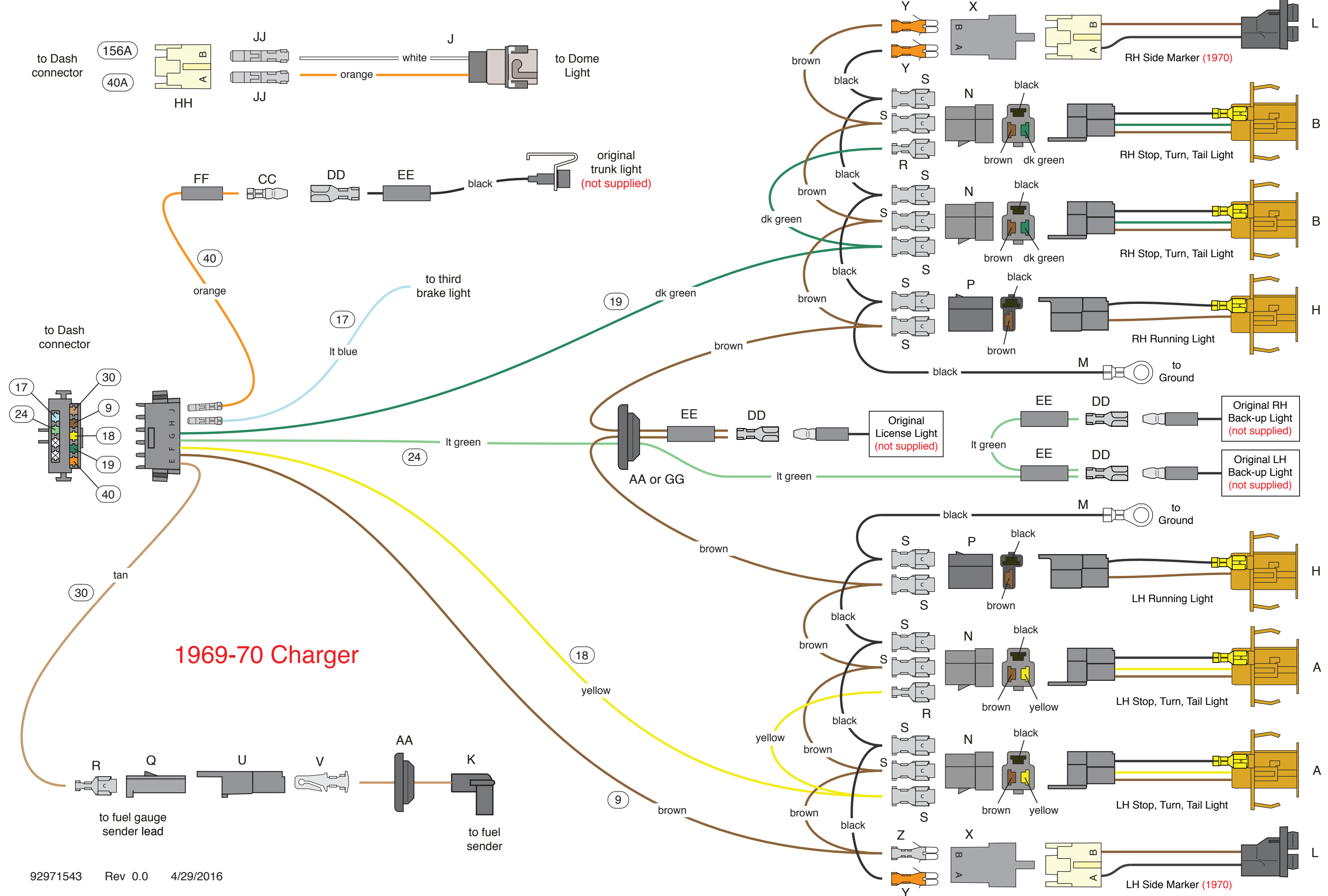
Classic Update Series



Classic Update Series



Classic Update Series



1969-70 Charger

THIS PAGE INTENTIONALLY
LEFT BLANK