

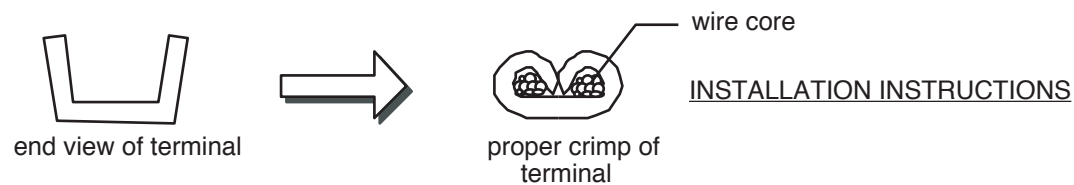
# Classic Update Series

1957-60 Ford Truck

## START HERE !

PLEASE READ THIS BEFORE STARTING INSTALLATION !

This wiring kit is designed for ease of installation. Please read the guidelines below, BEFORE STARTING your installation to guarantee a successful job. Use an appropriate crimping tool which folds the wings of the open barrel terminals down into the wire as shown below. If you use our crimping tools and correctly crimp the included terminals, soldering is not necessary. If you are unsure about a particular crimp, soldering is recommended. Our factory crimped terminations are installed by GM approved five ton presses, and soldering these terminations is not necessary. AAW offers a great terminal crimping video entitled Proper Crimping Video . It can be viewed by visting YouTube. Type the following address into your web browser to go directly to the video: [www.youtube.com/watch?v=JAgEDoVI-co](http://www.youtube.com/watch?v=JAgEDoVI-co).



### PLEASE READ THESE HELPFUL INSTALLATION TIPS BEFORE GOING ANY FURTHER!

Prior to installing the Dash/Main harness in your vehicle, plug all of the fuses (see a detailed picture, on [page 18](#), of the fuse installation locations) and Horn Relay ([see page 9](#)), into this harness.

AS THIS HARNESS IS DESIGNED FOR USE IN A MODIFIED VEHICLE REQUIRING A HIGHER RATE OF CHARGE, IT DOES NOT SUPPORT THE USE OF A STOCK (ORIGINAL) GENERATOR. IT IS DESIGNED FOR USE WITH AN INTERNALLY REGULATED GM SI STYLE OR SINGLE WIRE STYLE ALTERNATOR. ADAPTERS (WHICH ARE NOT INCLUDED WITH THIS KIT) THAT ARE AVAILABLE FROM SEVERAL SOURCES WILL BE NECESSARY TO USE ANY ALTERNATOR OTHER THAN A GM SI STYLE OR SINGLE WIRE STYLE UNIT.

#### STEP 1: DISCONNECT YOUR BATTERY:

Disconnect the battery before installing the wiring kit to prevent any accidental shorting caused by loose bare wire ends.

#### STEP 2: START INSTALLING KIT ([see page 5](#)):

This kit is broken down into individual steps that are identified by a letter printed on the instruction sheets visible through each bag. These letters are the order of operation for installing your kit, start with bag letter G. The order of installation is shown below. You will use this main instruction sheet, **92971606**, to complete the installation process of bag G. See page five of this instruction set and Fuse Block Mounting instruction sheet **92971669** to begin.

G - 510652 Dash Harness Kit  
N - 510657 Headlight Harness Kit  
H - 510653 Gauge Cluster Kit  
M - 510654 Rear Body Kit

#### STEP 3: RECONNECT YOUR BATTERY:

When you have completed the installation and are ready to reconnect the battery, make sure that the following electrical system grounds are in place:

- Battery is grounded to the ENGINE BLOCK.
- Battery is grounded to the frame.
- Engine block is grounded to the frame.
- Body is grounded to the frame.

#### STEP 4: CHECK ALL ELECTRICAL FUNCTIONS:

Any non-functioning items should be checked for proper installation. Any problems with your wiring and electrical circuit functions should be addressed to American Autowire Systems, Inc. as soon as possible to avoid any warranty problems.

If you have any questions concerning this or any of our products, please feel free to call us at 1-856-933-0801.

AMERICAN AUTOWIRE MAKES IT EASY !!

We carry many accessories for your 1957-60 Ford Truck

p/n 510585  
OEM small terminal crimping  
tool (18-14 gauge)



p/n 510586  
OEM large terminal crimping  
tool (12-8 gauge)



p/n 510587  
Includes Both  
terminal crimping tools



p/n 500479  
Universal Relay Kit

p/n 500093  
Universal Waterproof  
Relay Kit



p/n 500918  
Ford Duraspark  
Ignition Harness



p/n 500801  
Ballast Resistor Kit



p/n 500802  
GM SI series to Ford 3G  
int. regulated alternator



[www.americanautowire.com](http://www.americanautowire.com) 856-933-0801

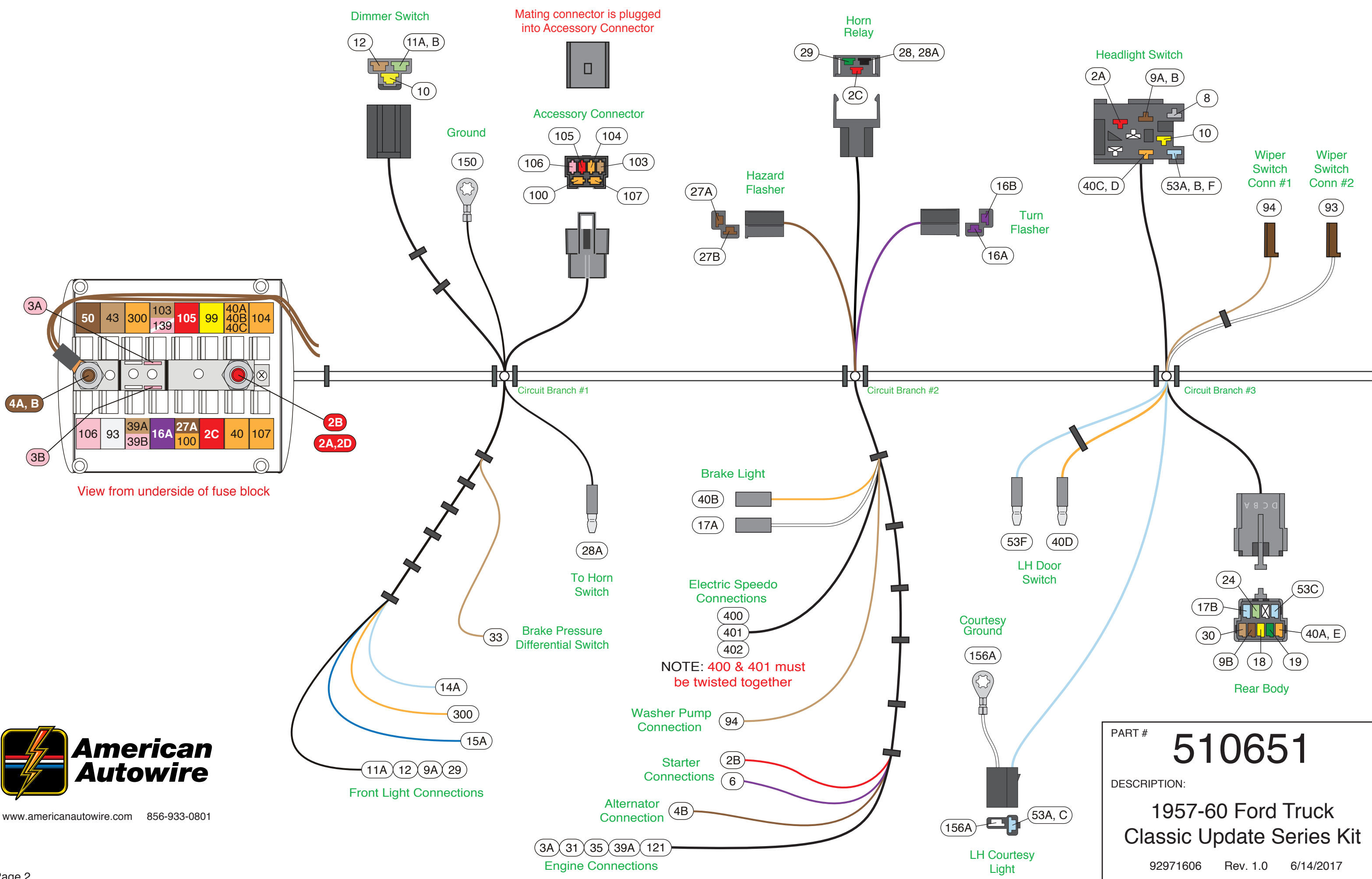
Classic Update Series

1957-60 Ford Truck

# 510651

© COPYRIGHT 2004 American Autowire / Factory-Fit  
Used with express permission of  
American Autowire / Factory-Fit

92971606 Rev. 1.0 6/14/2017

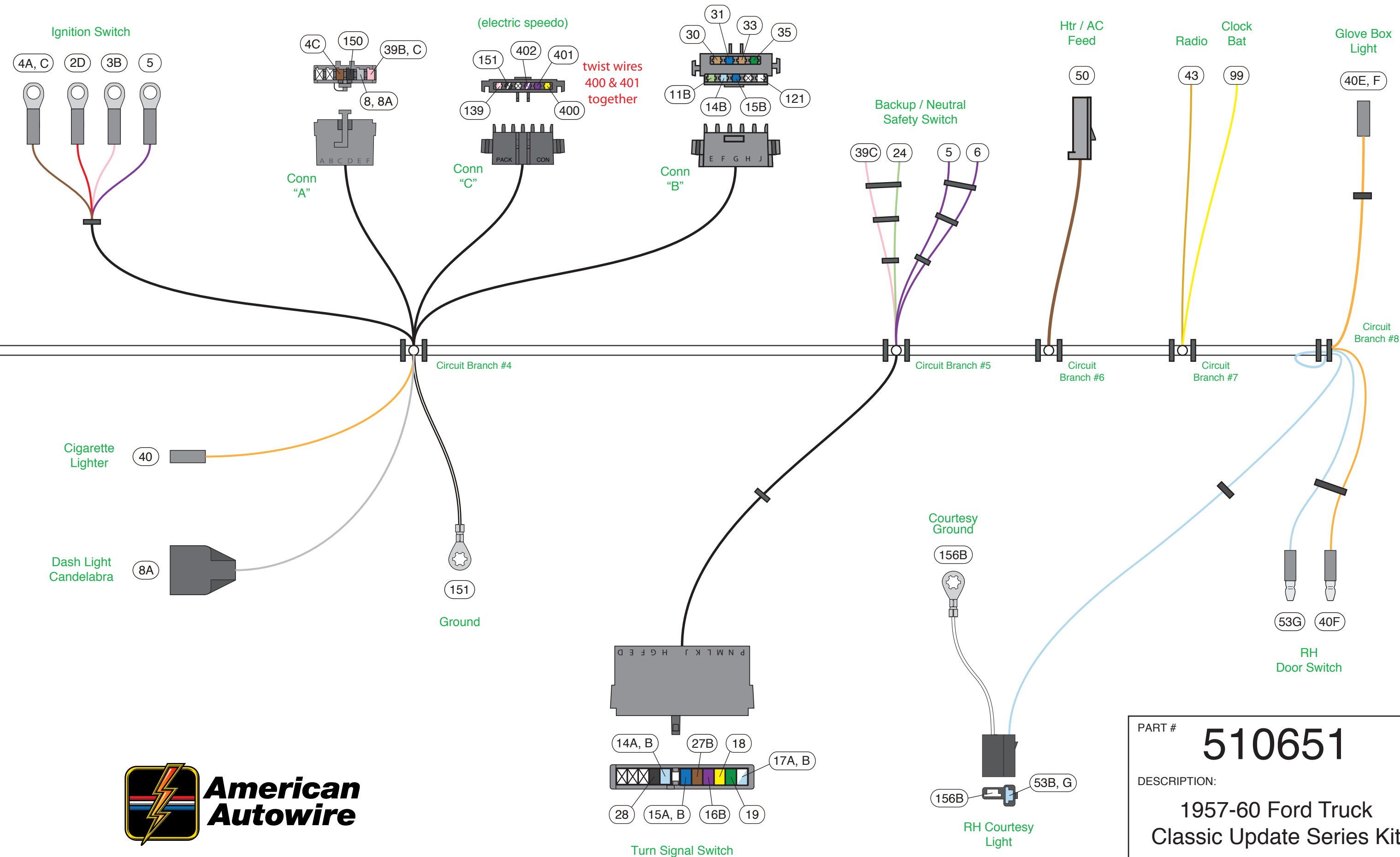


PART # **510651**

DESCRIPTION:  
**1957-60 Ford Truck Classic Update Series Kit**

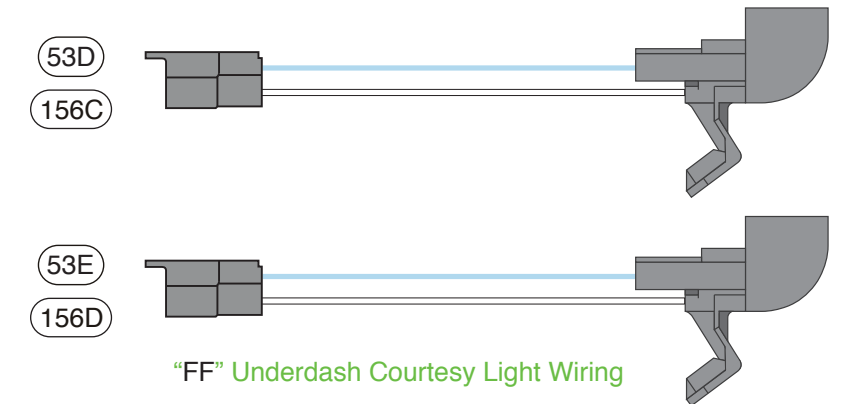
92971606 Rev. 1.0 6/14/2017

Cluster Connections

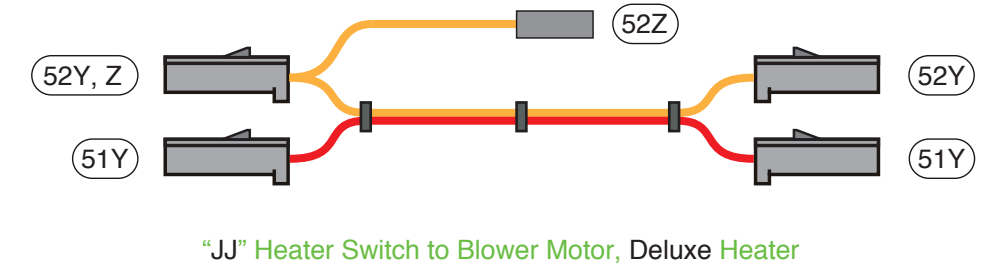
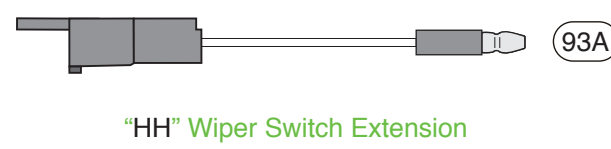
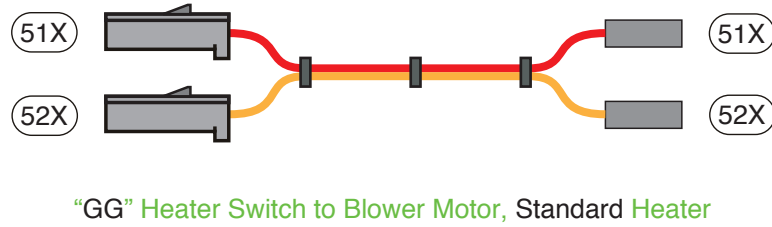


PART #	<b>510651</b>
DESCRIPTION:	<b>1957-60 Ford Truck Classic Update Series Kit</b>
	92971606 Rev. 1.0 6/14/2017

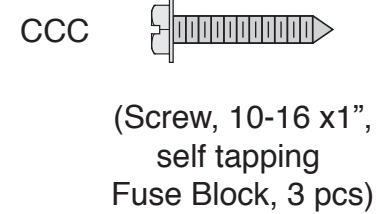
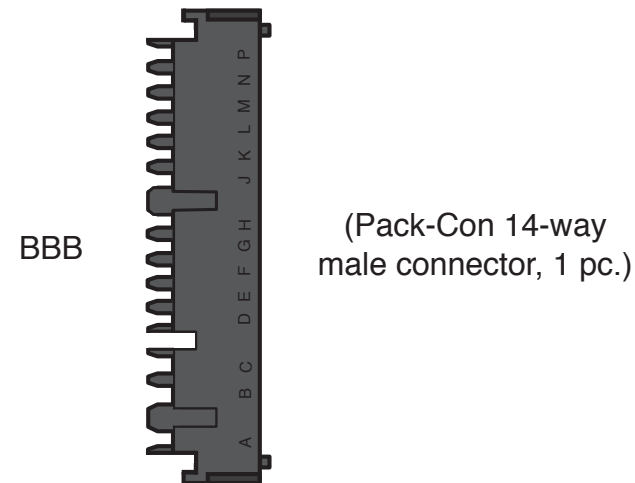
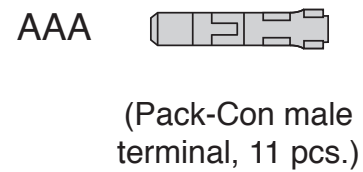
**Dash Harness Jumpers and Extensions:**



**NOTE:** Your new underdash courtesy light extensions, use # 631 bulbs (not included with this kit). They may be purchased at any auto parts store.



**Dash Harness Parts Kit:**



www.americanautowire.com 856-933-0801

PART # **510651**

DESCRIPTION:  
**1957-60 Ford Truck  
 Classic Update Series Kit**

92971606 Rev. 1.0 6/14/2017



**Note:** Prior to installing the Dash Harness, obtain the Fuse, Flasher, and Relay Kit #510557 (located in Bag G) and plug all of the Fuses in the Fuse Block (See Figure “F” on page 18 for the location of the fuses). Install the Horn Relay and the two Flashers to the Dash Harness (see Circuit Branch #2 - Under Dash Connections).

**NOTE:** All Grommets, Terminals, Connectors, Door Jamb Switches, Screws, Washers, Clamps and Sleeves, can be found in Parts Kit 510656 and are denoted with one letter: “X”.

The various Dash Harness Jumper Harnesses can be found in Bag G and are denoted with two letters: “XX”. See page 4 for a depiction of the Jumper Harnesses.

The Fuse Block Attaching Screws and the Turn Signal Switch Connector and Terminals are found in the Dash Harness Parts Kit 92971642 and are denoted with three letters “XXX”.

### Main Fuse Panel Installation

Install the Fuse Block per the **Fuse Block Mounting Instructions Template 92971669**. Use the three screws “CCC” in the Dash Loose Piece Kit 92971642 to attach the Fuse Block.

### Dash Harness Routing

The Main Dash Harness routing of the wires that go in the Instrument Panel will be the same as the original factory Instrument Panel Wiring Harness routing. The Main Dash Harness routing of the wires that go into the Engine Compartment will pass through Grommet “F”.

Obtain Grommet “F” and attach to the Firewall in the original factory location. Use your original metal retainer (or a replacement) to hold the grommet in place; **the metal retainer is not included in this kit (see Figure “H” on page 14)**. You will pass the wires from **Circuit Branch #1** of your Dash Harness, that go into the Engine Compartment, through Grommet “F” first, from **Circuit Branch #2** second, and then the Rear Body Harness wires in **Circuit Branch #3** will be routed through Grommet “F” last.

### J Clamps

There are four rubber coated smaller J-Clamps (item “G”) to be used to secure the main bundle of the Dash Harness as it routes across the Firewall in the Engine Compartment.

There are two rubber coated larger J-Clamps (item “S”) and two 1/4x20x1/2” screws, two 1/4x20 locking nuts, and two 1/4” Washers (item “R”) to secure the main bundle of the Dash Harness as it routes across the Steering Column Support Bracket in the Instrument Panel.

### Circuit Branch #1 – Engine Compartment Connections (see Figure “A” on page 15).

#### 1. Horn Switch in Steering Column Connection

When you press the Horn Switch, it turns on the Horn Relay by grounding one of the wires (circuit 28 or 28A) from the Horn Relay. Wire 28A, which is in the Dash Harness, should plug into the stock Horn Switch Ground wire coming out of the bottom of the original Ford Truck Steering Column.

If you have an Aftermarket Steering Column, Wire 28A will not be used and should be taped back. There is another circuit, Wire 28, which is also in the Dash Harness but is located in the Turn Signal Switch Connector. This Wire 28 will connect to the Aftermarket Steering Column and provide ground for the Horn Relay through the Turn Signal Switch in the Steering Column.

Wire #	Wire Color	Printing	Description
28A	Black	Horn Ground	Horn Relay ground wire to the Horn Switch.

#### Upgraded Brake System

**NOTE:** If you choose to upgrade your single reservoir Brake System to an upgraded dual reservoir Brake System with a “check light”, we have provided the circuits in the Dash Harness for a Brake Warning Light (Dash lamp and switch/switch connection not provided in kit).

#### 2. The Brake Pressure Differential Warning Switch

**NOTE:** if you have a Ford style twin post switch and wish to use it, simply cut the wires about 6 inches back from your old original connector, double them together, and splice them into wire assembly 33 (from page 5 of this instruction sheet) to complete your brake warning circuit. If you have an aftermarket single post switch, splice it into wire assembly 33 (from page 5 of this instruction sheet) to complete your brake warning circuit (also see Figure A on page 15).

#### 3. Brake Pressure Differential Warning Switch Dash Harness Connection

Route wire 33 from the Dash Harness to the master cylinder area, cut to length, and splice it to the Brake Pressure Differential Warning Switch Extension (if needed).

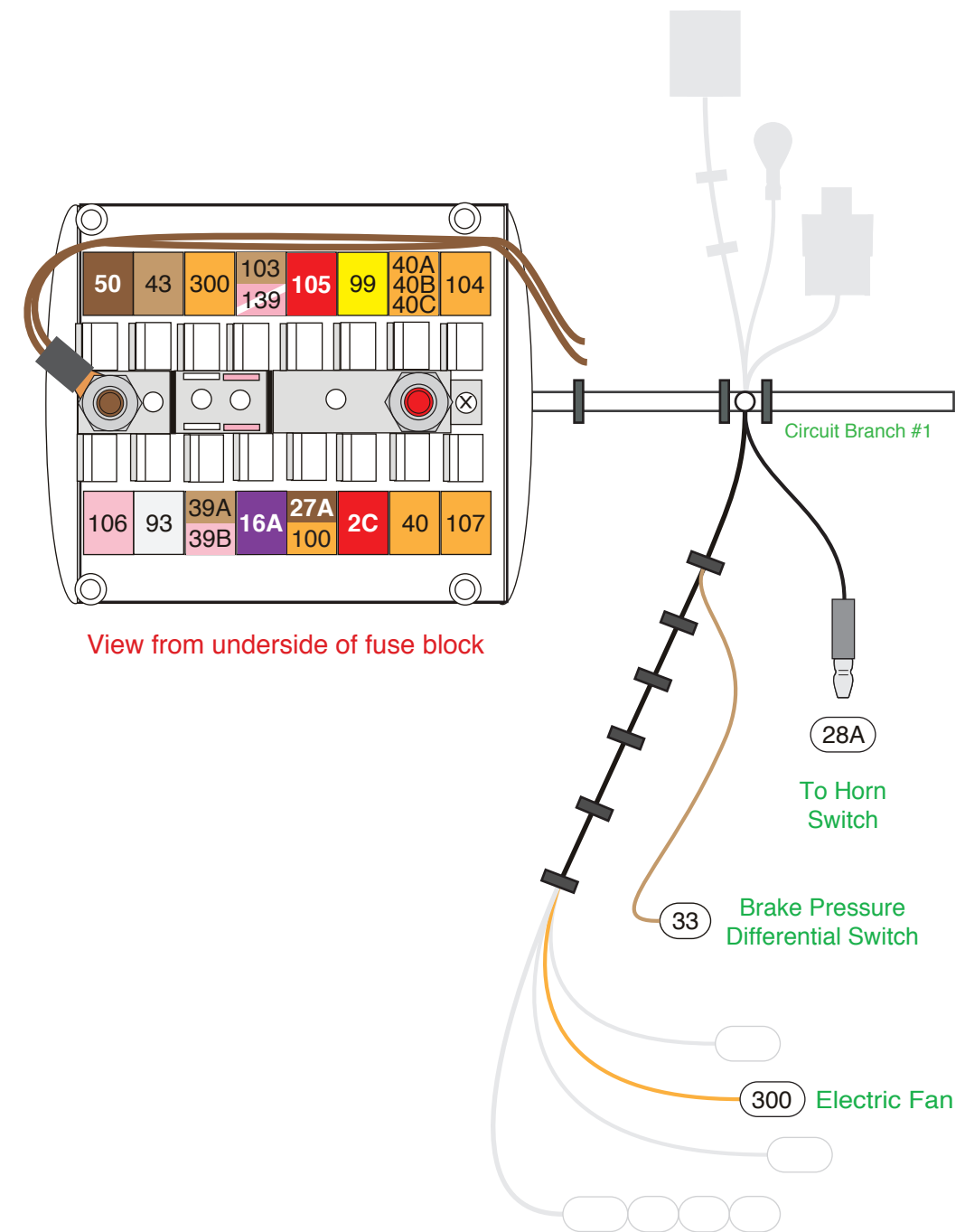
Wire #	Wire Color	Printing	Description
33	Tan	BRAKE LIGHT/SWITCH	Brake Warning Light wire.

#### 4. Aftermarket Electric Fan Wire

This wire is a fused 12V Accessory feed wire which comes directly from the Fuse Block and is intended to be used as the relay trigger wire for an Electric Fan Relay. Route this orange “ELECTRIC FAN” wire (circuit 300) to a relay kit.

**Note:** An Optional Relay Kit (Universal Relay Kit 500479 or Universal Waterproof Relay Kit 500093) can be purchased from AAW. Connect per the instructions in the Relay Kit.

Wire #	Wire Color	Printing	Description
300	Orange	ELECTRIC FAN	Electric Fan Relay Feed.



View from underside of fuse block



www.americanautowire.com 856-933-0801

PART # **510651**

DESCRIPTION:  
**1957-60 Ford Truck  
 Classic Update Series Kit**

92971606 Rev. 1.0 6/14/2017

**Circuit Branch #1 – Engine Compartment Connections (continued)**

**Preparing the Parking Light Assemblies (see Figure “A” on page 15)**

**Note:** For all vehicles, you will use your original Park/Turn Light Socket and Pigtail Assemblies but will have to replace the original 2-way molded pigtail connector, or the original two 1-way molded pigtail connectors with a 2-way connector “V” and terminals “W”. Cut the original molded connector(s) from the Park/Turn Light pigtail and crimp on a terminal “W” to each wire. Route the two wires through the access hole and seat the original pigtail grommet (if equipped) in the hole. Plug these “W” terminals into connector “V”. Note that the wire function/colors are as follows:

**LH Turn Signal – green/white (Ford) to light blue (AAW).**

**RH Turn Signal – white/blue (Ford) to dark blue (AAW).**

**Park Lights – black/yellow (Ford) to brown (AAW).**

**5. Park Light Wire Connections**

For the left hand (LH) Park Light connection, obtain the brown “PARK LIGHTS” wire (circuit 9A) from the Dash Harness and route the loose end of this wire to the LH Park/Turn Signal Light pigtail and cut to length, double this wire with the cutoff portion of the brown wire and crimp on terminal “C”. Plug this wire into the 2-way connector “T”, route the cutoff portion of the brown wire to the RH Park/Turn Signal Light pigtail. Cut to length, crimp on terminal “B” and plug into the other 2-way connector “T”.

Wire #	Wire Color	Printing	Description
9A	Brown	PARK LIGHTS	Park Lights feed.

**6. LH Turn Signal Light Wire Connections**

Obtain the light blue “LEFT FRONT TURN” wire (circuit 14A) from the Dash Harness and route the loose end of the wire to the LH Park/Turn Signal Light pigtail and cut to length, crimp on terminal “B” and insert into connector “T”.

Wire #	Wire Color	Printing	Description
14A	Light Blue	LEFT FRONT TURN	Feed to the LH Front Turn Signal Light.

**7. RH Turn Signal Light Wire Connections**

Obtain the dark blue “RIGHT FRONT TURN” wire (circuit 15A) from the Dash Harness and route the loose end of the wire to the RH Park/Turn Signal Light pigtail and cut to length, crimp on terminal “B” and insert into connector “T”.

Wire #	Wire Color	Printing	Description
15A	Dark Blue	RIGHT FRONT TURN	Feed to the RH Front Turn Signal Light.

**Front Headlamp Connections (see Figure “A” on page 15)**

**Headlight Harness Kit**

Obtain the **Headlight Harness Kit 510657** and connect to the LH and RH Headlights (see the Instructions **92971656** in **Bag N** for the Headlight connections).

**8. Low Beam Headlight Wire Connections**

Obtain the tan “HEADLIGHT-LOW BEAM” wire (circuit 12) from the Dash Harness and route the loose end of the wire to the LH Headlight Bucket Harness, cut to length, double the tan wire with the tan wire that was just cut off, crimp on terminal “X”, and insert into connector “U”. Route the loose end of the tan wire to the RH Headlight Bucket Harness, cut to length, crimp on terminal “W” and plug into the other connector “U”. Be sure that the tan wire aligns with the tan wire in the Headlight Bucket Harness.

Wire #	Wire Color	Printing	Description
12	Tan	HEADLIGHT-LOW BEAM	Feed to the Low Beam Headlights.

**9. High Beam Headlight Wire Connections**

Obtain the light green “HEADLIGHT-HI BEAM” wire (circuit 11A) from the Dash Harness and route the loose end of the wire to the LH Headlight Bucket Harness, cut to length, double the light green wire with the light green wire that was just cut off, crimp on terminal “X”, and insert into connector “U”. Route the loose end of the light green wire to the RH Headlight Bucket Harness, cut to length, crimp on terminal “W” and plug into the other connector “U”. You can connect to the Headlight Bucket Harnesses.

Wire #	Wire Color	Printing	Description
11A	Light Green	HEADLIGHT-HI BEAM	Feed to the High Beam Headlights.

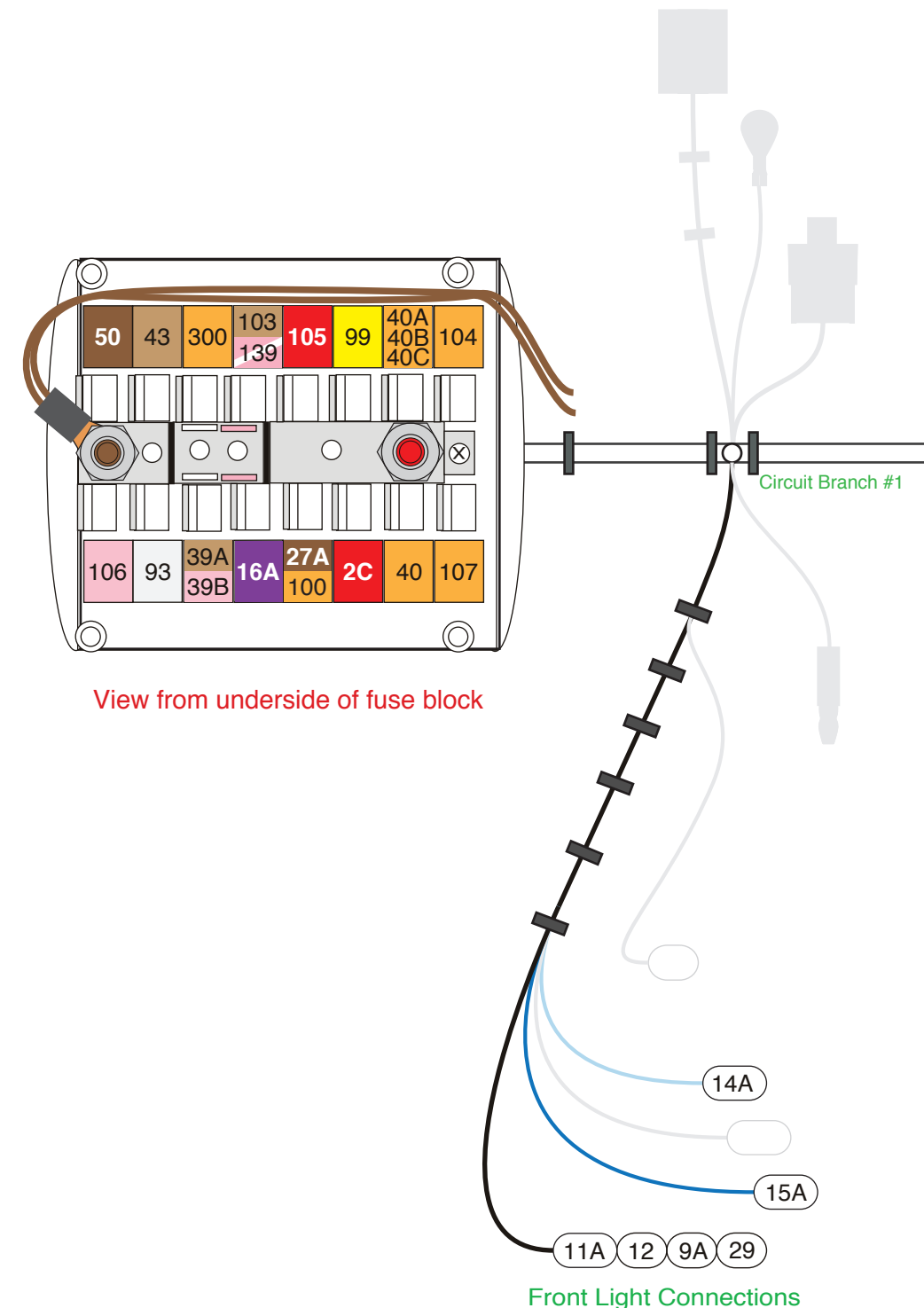
**10. Horn Wire Connection**

Obtain the dark green “HORN” wire (circuit 29) from the Dash Harness and route the loose end of the wire to the Horn and cut to length.

If you have the original Horn, slide sleeve “J” onto the green wire and then crimp on ring terminal “M”. Slide sleeve “J” over ring terminal “M”. Connect to the Horn.

If you have a replacement Horn with a male blade terminal, crimp on terminal “B” to the green wire and plug into connector “N”. Connect to the Horn.

Wire #	Wire Color	Printing	Description
29	Dark Green	HORN	Feed to the Horn.



View from underside of fuse block

Front Light Connections

PART # **510651**

DESCRIPTION:  
**1957-60 Ford Truck  
 Classic Update Series Kit**

92971606 Rev. 1.0 6/14/2017



**Circuit Branch #2 Engine Compartment Connections (see Figures "B" and "C" on page 16).**

**1. Brake Switch Connectors**

Connect these two 1-way female bullet connectors to the Brake Switch (Stop Light Switch) which is located on the Brake Master Cylinder, **polarity doesn't matter.**

Wire #	Wire Color	Printing	Description
17A	White	BRAKE SW	Brake Switch feed to the Turn Signal Switch.
40B	Orange	BRAKE SW	12V Battery Fused feed from the Fuse Block.

**2. Electric Speedometer**

**NOTE: These three wires are only used if you are using an Aftermarket Electric Speedometer.**

Obtain the purple/white "VSS POWER" wire (circuit 402), the purple "VSS SIGNAL" wire (circuit 401) and the yellow "VSS GROUND" wire (circuit 400) and route these three wires to the Vehicle Speed Sensor and connect the purple/white wire to the VSS power lead, the purple wire to the VSS signal lead, and the yellow wire to the VSS ground lead.

Wire #	Wire Color	Printing	Description
400	Yellow	VSS GROUND	Vehicle Speed Sensor Ground.
401	Purple	VSS SIGNAL	Vehicle Speed Sensor Signal.
402	Purple/White	VSS POWER	Vehicle Speed Sensor Power.

**3. Washer Pump (if equipped)**

**NOTE: This wire is only used if you have an Aftermarket Windshield Washer Pump.**

Obtain the tan "no printing" wire (circuit 94) and route this wire to the Washer Pump, cut to length, crimp on terminal "B", and plug into connector "E". Now connect to the Washer Pump.

Wire #	Wire Color	Printing	Description
94	Tan	no printing	Feed to an Aftermarket Washer Pump.

**ENGINE CONNECTIONS (Figure B)**

**4. Electric Choke**

**NOTE: This wire is only used if you have an Aftermarket Electric Choke.**

Obtain the tan "ELECTRIC CHOKE" wire (circuit 39A) and route this wire to the Electric Choke and connect.

Wire #	Wire Color	Printing	Description
39A	Tan	ELECTRIC CHOKE	Feed to the Electric Choke.

**5. Ignition Feed (see Figure "B" on page 16)**

This pink "IGNITION FEED-COIL" wire (circuit 3A) is the 12V switched power source for the Distributor/Ignition Coil. This wire can be connected directly to the "Bat" terminal on a typical HEI Distributor, to a Ballast Resistor for a points type Distributor, or to be used as the ignition power source for an Aftermarket Ignition Module such as an MSD or a "Dura Spark" module. See the installation instructions for the type of Distributor/Ignition Module you are using for specific connection requirements.

If you are using a GM style HEI Distributor, terminal "C" and connector "P" have been provided to make that connection.

If you are using a Ballast Resistor (**Ballast Resistor not included in this kit**), two "C" terminals, and two "E" connectors have been provided to make that connection.

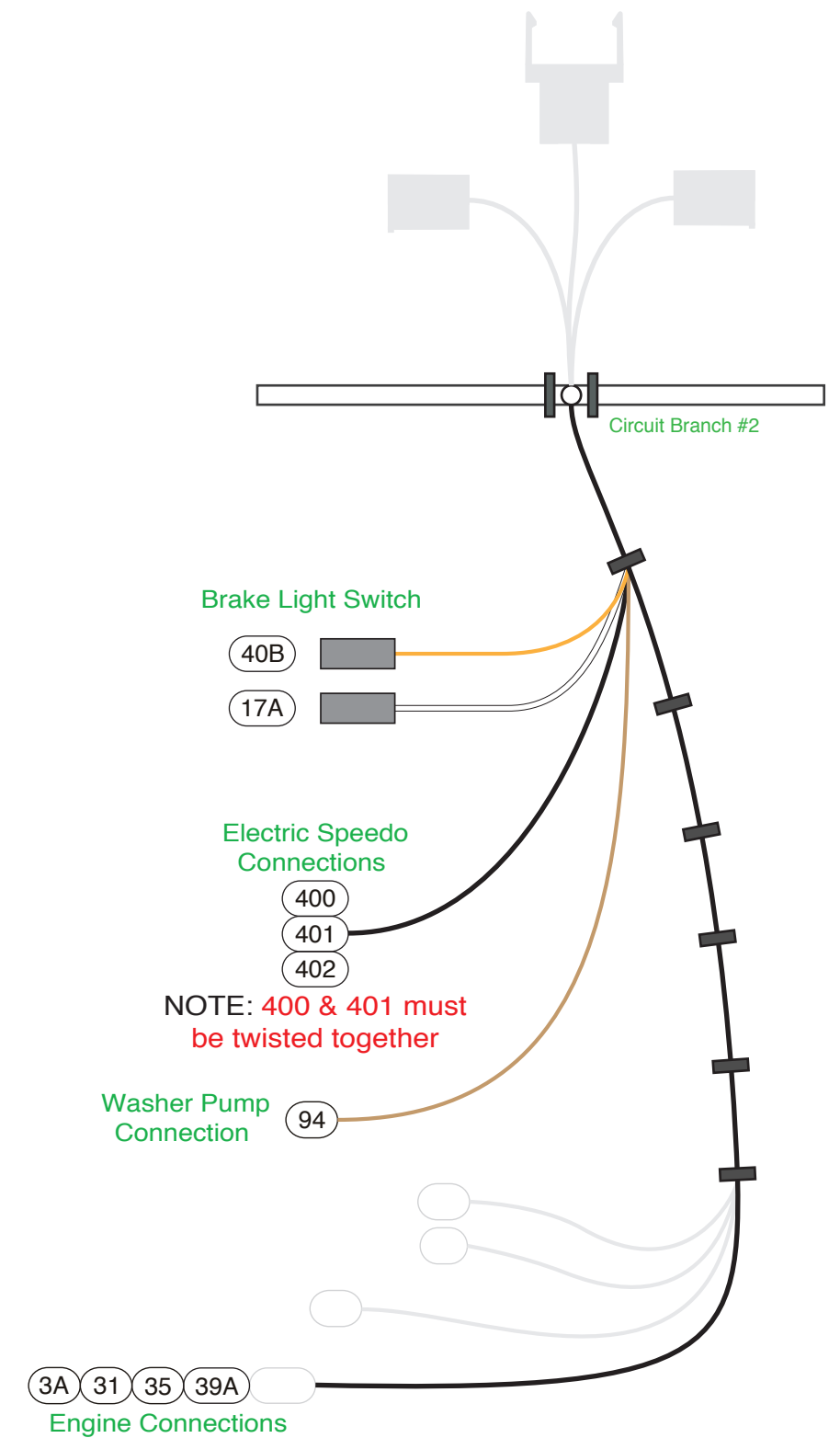
**Note: An optional Ballast Resistor is available from AAW under part number 500801.**

Wire #	Wire Color	Printing	Description
3A	Pink	IGNITION FEED-COIL	Switched 12V Ignition feed for the ignition.

**6. Engine Sensors**

Route the dark blue "OIL PRESSURE SENDER" wire (circuit 31) to the Oil Pressure Sender, and the dark green "WATER TEMP SENDER" wire (circuit 35) to the Water Temperature Sender, cut to length, install terminals "B" or "M" (install sleeve "J" first if using "M"). If you are using terminal "B", plug it into connector "N".

Wire #	Wire Color	Printing	Description
31	Dark Blue	OIL PRESSURE SENDER	Oil Pressure Sender.
35	Dark Green	WATER TEMP SENDER	Water Temperature Sender.



PART # **510651**

DESCRIPTION:  
**1957-60 Ford Truck  
 Classic Update Series Kit**

92971606 Rev. 1.0 6/14/2017



**Circuit Branch #2 Engine Compartment Connections (continued)**

**7. Tachometer**

**NOTE: This wire is only used if you have an Aftermarket Tachometer.**

Obtain the white "COIL->TACH" wire (circuit 121) and route and connect as follows:

If you have an Aftermarket Ignition Module such as an MSD Module, route the white wire to the module and connect to the Tachometer connection of the module.

If you are using a GM style HEI Distributor, terminal "B" and connector "Q" have been provided to make that connection.

If you have a points type Ignition System, route the white wire to the Ignition Coil and connect to the (-) terminal.

Wire #	Wire Color	Printing	Description
121	White	COIL->TACH	Tachometer feed wire.

**STARTER SOLENOID CONNECTIONS (see Figure C on page 16)**

**8. Main Fuse Panel Feed**

Obtain the brown **Main Power Feed Fusible Link Jumper Harness "BB"** and attach the ring terminal to the battery stud (BAT) of the Starter Solenoid.

Obtain the large red "12V BATTERY" wire (circuit 2B) from the Dash Harness and route it to the Starter Solenoid, cut to length, install terminal "C" and plug into connector "E". Connect "E" to the jumper harness "BB".

Wire #	Wire Color	Printing	Description
2B	Red	12V BATTERY	Main Power feed to the Fuse Block.
2J	Brown	Fusible Link	This is the circuit protection for the main power feed to the Fuse Block.



**9. Start Circuit Solenoid Wire**

Route the purple "STARTER SOLENOID - S" wire (circuit 6) to the Starter Solenoid and cut to length, install sleeve "D" and crimp on ring terminal "K". Connect to the Starter Solenoid S (start) stud.

Wire #	Wire Color	Printing	Description
6	Purple	STARTER SOLENOID-S	This is the start circuit.

**10. Start Circuit Resistor Bypass Wire**

**NOTE: For Ignition Systems that have a Ballast Resistor in the Ignition feed to the Ignition Coil, this wire bypasses that resistor during Crank allowing a higher voltage.**

Obtain the yellow **Starter Solenoid Resistor Bypass Wiring Jumper Harness "DD"** and attach the ring terminal to the "I" (ignition bypass) terminal of the Starter Solenoid. Route the other end of the yellow wire to the Ballast Resistor and cut to length. Obtain the cutoff section of the large pink wire (circuit 3A from step 5) and double it with the yellow wire, crimp on terminal "C" and insert into connector "E". You can now connect to the Ballast Resistor. The other end of the large pink wire can be routed and connected to the (+) side of your Ignition Coil

Wire #	Wire Color	Printing	Description
7	Yellow	STARTER SOLENOID-R	Resistor Bypass wire.



**Alternator Connections (Figure C)**

**11. Alternator Output Circuit**

Obtain the **Alternator Feed Wiring Jumper Harness "CC"** and connect the ring terminal of the blue fusible link wire to the Battery Terminal of the Starter Solenoid. Route the large red wire of the Jumper Harness "CC" to the Battery stud on the Alternator, cut to length, slide on sleeve "D" and crimp on terminal "L".

Wire #	Wire Color	Printing	Description
2	Red	no printing	Alternator output wire.
2H	Light Blue	Fusible Link	This is the circuit protection for the Alternator output.



**12. Alternator Exciter Wire**

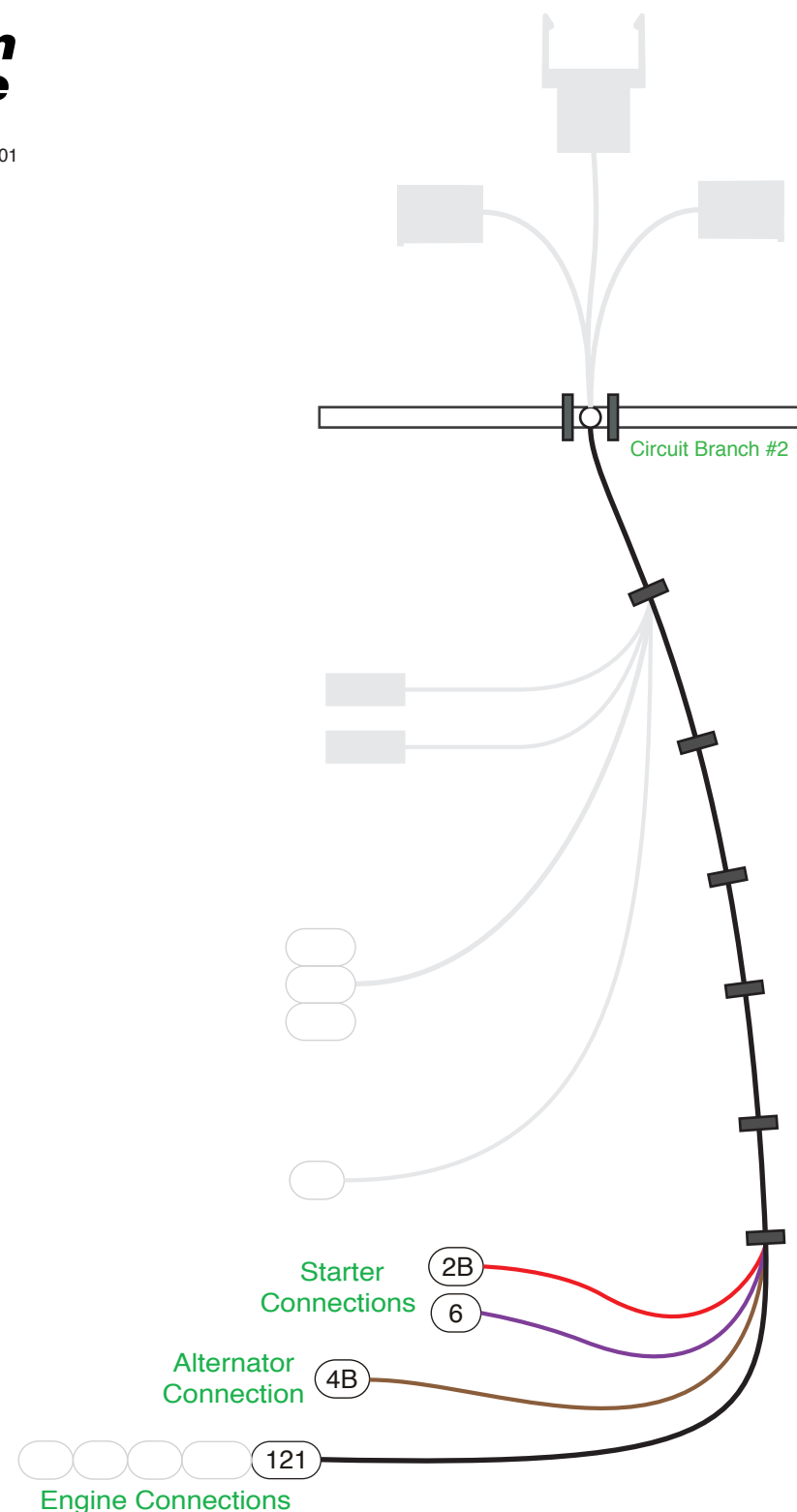
**NOTE: This brown wire is only used if you have an Aftermarket Alternator that requires an internal Voltage Regulator, and is the exciter wire for your Alternator/Voltage Regulator.**

If you are using a 1-wire Alternator (recommended) this brown wire will not be used and should be **capped off** as it is "hot" when the Ignition Switch is in the "ON or ACC" position.

If not using a 1-wire Alternator, this brown "ALTERNATOR IGN" wire (circuit 4B) in your Dash Harness must be connected to the "Switched or 12V Ignition" terminal on your Voltage Regulator or Alternator according to the manufacturers specifications. An **inline diode or resistor may be necessary** to eliminate "run on" after being switched off. AAW recommends a Ford Gen 3 Internally Regulated or a 1-wire Alternator.

If you are using a GM "SI" Alternator obtain the **GM "SI" Alternator Exciter Wiring Jumper Harness "EE"**. Attach the ring terminal end of the "EE" jumper to the Battery stud of the Alternator. Route the brown wire (circuit 4B) from the Dash Harness to the 2-way connector of the jumper harness "EE". Crimp on terminal "B" to the brown wire and plug into the open cavity of the 2-way connector of the Jumper Harness "EE". Now plug the 2-way connector of the "EE" jumper harness into the "SI" Alternator.

Wire #	Wire Color	Printing	Description
2F	Red	no printing	Alternator Battery stud wire in the GM "SI" Alternator Exciter Wiring Jumper Harness.
4B	Brown	ALTERNATOR IGN	Alternator exciter wire.



PART # **510651**

DESCRIPTION:  
**1957-60 Ford Truck Classic Update Series Kit**

92971606 Rev. 1.0 6/14/2017



**Circuit Branch #1 – Under Dash Connections**

**1. Accessory Connector**

Use the provided 6-way empty connector, which is attached to the 6-way Accessory connector on the Dash Harness, and terminals "B" and "C" to add power wires (not provided) for the following optional systems:

Wire #	Wire Color	Printing	Fuse #	Fuse Block Cover	Fuse rating	Description
100	Orange	no printing	7	Hazard	15A	Battery feed for Hazard or Audio Systems.
103	Tan	FUEL PUMP	10	Fuel Pump	20A	Ignition feed for an Electric Fuel Pump.
104	Orange	POWER SEATS	2	Pwr Seats	30A	Battery feed for Power Seats.
105	Red	POWER LOCKS	8	Pwr Locks	20A	Battery feed for Power Locks.
106	Pink	POWER WINDOWS	15	Pwr Window	30A	Accessory feed for Power Windows.
107	Orange	12V BATTERY FUSED	1	Bat-Spare	30A	Battery feed for options.

**2. Ground**

Attach this black "GROUND" wire (circuit 150) to a good body ground.

**Note: Do not attach this ground wire (circuit 150) with the ground wire (circuit 151) in Circuit Branch #4, they should remain separated.**

Wire #	Wire Color	Printing	Description
150	Black	GROUND	Ground wire.

**3. Dimmer Switch Connector**

Route to the Dimmer Switch 500042 (located in **Bag G**). Attach the 3-way Dimmer Switch connector to the Dimmer Switch and attach to the Floor Pan.

Wire #	Wire Color	Printing	Description
10	Yellow	DIMMER SW FEED	Feed from the Headlight Switch.
11A	Light Green	HEADLIGHT-HI BEAM	Feed to the High Beam Headlights.
11B	Light Green	HI BEAM INDICATOR LIGHT	Feed to the High Beam Indicator Light in the Instrument Cluster.
12	Tan	HEADLIGHT-LOW BEAM	Feed to the Low Beam Headlights.

**Circuit Branch #2 – Under Dash Connections**

**1. Turn Flasher Connector**

Plug one of the Flashers into this connector.

Wire #	Wire Color	Printing	Description
16A	Purple	TURN SWITCH FEED	12V Ignition feed from the Fuse Block.
16B	Purple	TURN SWITCH FEED	12V feed from the Turn Flasher to the Turn Signal Switch.

**2. Horn Relay Connector**

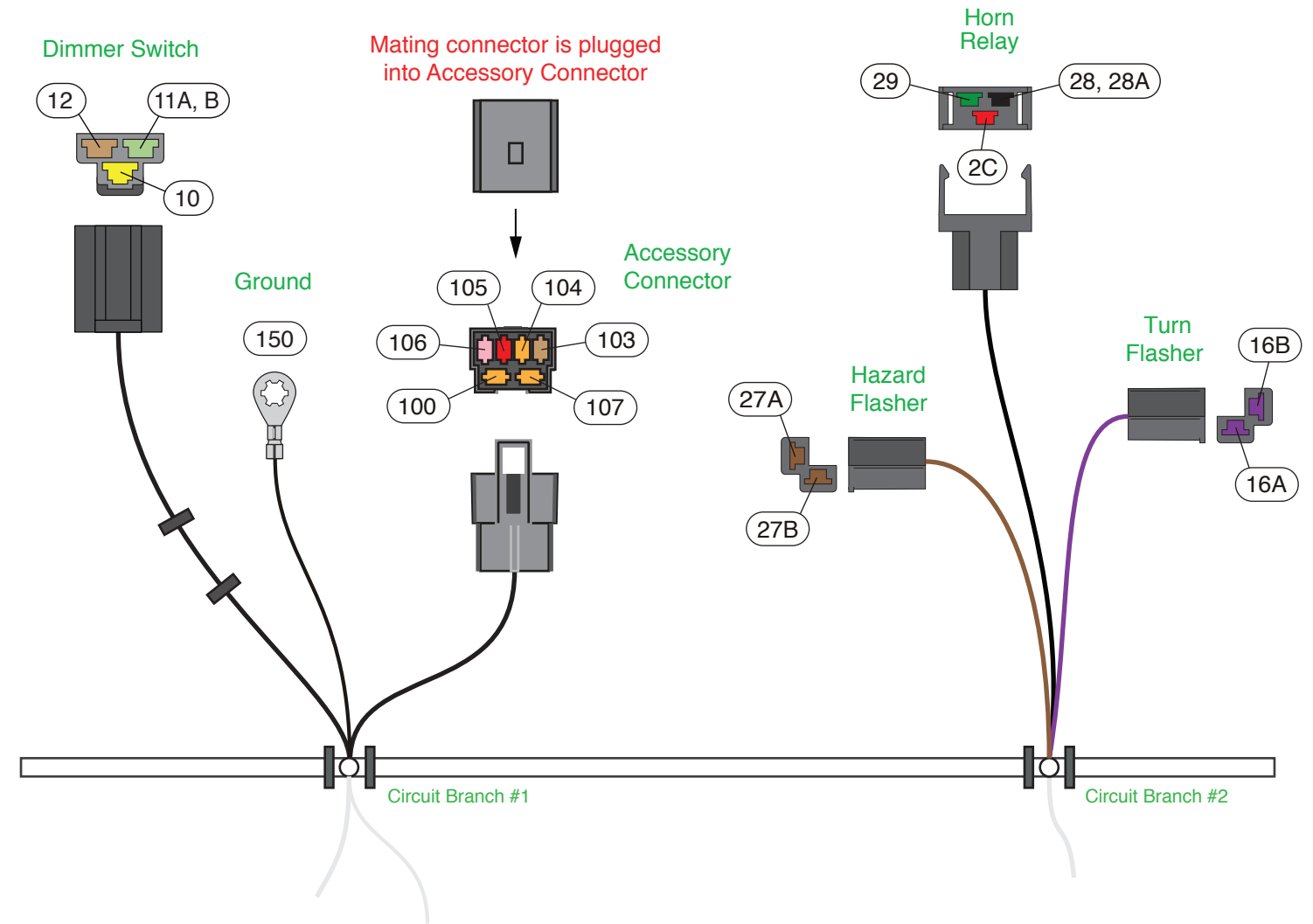
Plug the Horn Relay into this connector.

Wire #	Wire Color	Printing	Description
2C	Red	12V BATTERY	Fused 12V Battery feed to the Horn Relay.
28	Black	HORN RELAY GROUND	Relay ground circuit to the Turn Signal Switch for Aftermarket Steering Columns.
28A	Black	HORN RELAY GROUND	Relay ground circuit to the base of the Steering Column for the Horn Switch.
29	Dark Green	HORN	Feed to the Horns.

**3. Hazard Flasher Connector**

Plug one of the Flashers into this connector (only used with an aftermarket steering column 4-way Hazard Flasher).

Wire #	Wire Color	Printing	Description
27A	Brown	TURN SW-HAZARD	12V Battery feed to the Hazard Flasher.
27B	Brown	TURN SW-HAZARD	12V feed from the Hazard Flasher to the Turn Signal Switch.



PART #	<b>510651</b>
DESCRIPTION:	1957-60 Ford Truck Classic Update Series Kit
92971606	Rev. 1.0 6/14/2017

### Circuit Branch #3 – Under Dash Connections

#### 1. Headlight Switch Connector

Plug this connector to the **Headlight Switch 510254**.

**Note: If you purchase an Aftermarket Retaining Nut to hold your Headlight Switch to the Dash, some Retaining Nuts have a plastic insert inside that may interfere with the installation of your new Headlight Switch Knob and Shaft. If there is interference, it is recommended that you remove this plastic insert from inside your Retaining Nut.**

Wire #	Wire Color	Printing	Description
2A	Red	12V BATTERY	12V Battery feed from the Fuse Block.
8	Gray	DASH LIGHTS	Dash Light feed to the Cluster.
9A	Brown	PARK LIGHTS	Feed to the Front Park Lights.
9B	Brown	REAR RUNNING LIGHTS	Feed to the Rear Tail Lights and the License Light.
10	Yellow	DIMMER SW FEED	Feed to the Headlight Dimmer Switch for the Headlights.
40C	Orange	12V BATTERY-FUSED	Fused 12V Battery feed from the Fuse Block.
40D	Orange	12V BATTERY-FUSED	Fused 12V Battery feed to the LH Door Jamb Switch.
53A	Light Blue	12V CTSY SW	12V Switched feed to the LH Courtesy Light.
53B	Light Blue	12V CTSY SW	12V Switched feed to the RH Courtesy Light.
53F	Light Blue	12V CTSY SW	12V Switched feed from the LH Door Jamb Switch to the Headlight Switch.

#### 2. Wiper Switch Connectors with the original Wiper Switch

Obtain the white **Wiper Switch Jumper Wire "HH"** and connect this jumper wire to the Wiper Switch Conn #2 in the Dash Harness. Connect the bullet terminal of this jumper to the **B** terminal on the Wiper Switch. Connect the three wires from the Wiper Motor to the Wiper Switch. The 4 wires at the Wiper Switch should be connected as follows:

Terminal on Switch	Wire Color
B	White (AAW)
F	Green (from Wiper Motor)
P	Black (from Wiper Motor)
A	Red (from Wiper Motor)

Wire #	Wire Color	Printing	Description
93X	White	WIPER FEED	Fused 12V Accessory feed to the Wiper Switch.

#### 3. Wiper Switch Connectors with an Aftermarket Wiper System

Most Aftermarket Wiper Systems are self contained and only need a 12V feed wire to the Wiper Switch and a separate wire from the Wiper Switch to an Electric Washer Pump. We have provided both wires in the Dash Harness.

##### Wiper Switch Connector #1

This is the 1-way black connector in the Dash Harness that will connect to an Aftermarket Wiper Switch to provide the feed to a Washer Pump.

Wire #	Wire Color	Printing	Description
94	Tan	no printing	12V feed from the Wiper Switch to an Aftermarket Washer Pump.

##### Wiper Switch Connector #2

Plug this 1-way black connector to the aftermarket Wiper Switch. This is the main 12V power feed for the Wiper System.

Wire #	Wire Color	Printing	Description
93	White	WIPER FEED	Fused 12V Accessory feed from the Fuse Block to the Wiper Switch.

#### 4. Left Hand Door Jamb Switch Connectors

Route the two male bullet connectors into the Side Cowl and through the Door Jamb Switch Hole (requires a .80" to .85" dia mounting hole, if not already present) and connect to the Door Jamb Switch "Y". **Polarity does not matter.** You can now install the Door Jamb Switch. **Note: If you decide not to include a Door Jamb Switch, these two bullet terminals should be taped up separately and then taped back to the Dash Harness.**

Wire #	Wire Color	Printing	Description
40D	Orange	12V BATTERY-FUSED	12V fused Battery feed.
53F	Light Blue	12V CTSY SW	Feed to the LH Courtesy Light.

#### 5. Left Hand Courtesy Light

Plug the 2-way Left Hand Courtesy Light Connector, which is part of the Dash Harness, into one of the **Under Dash Courtesy Light Wiring Jumper Harnesses "FF"**.

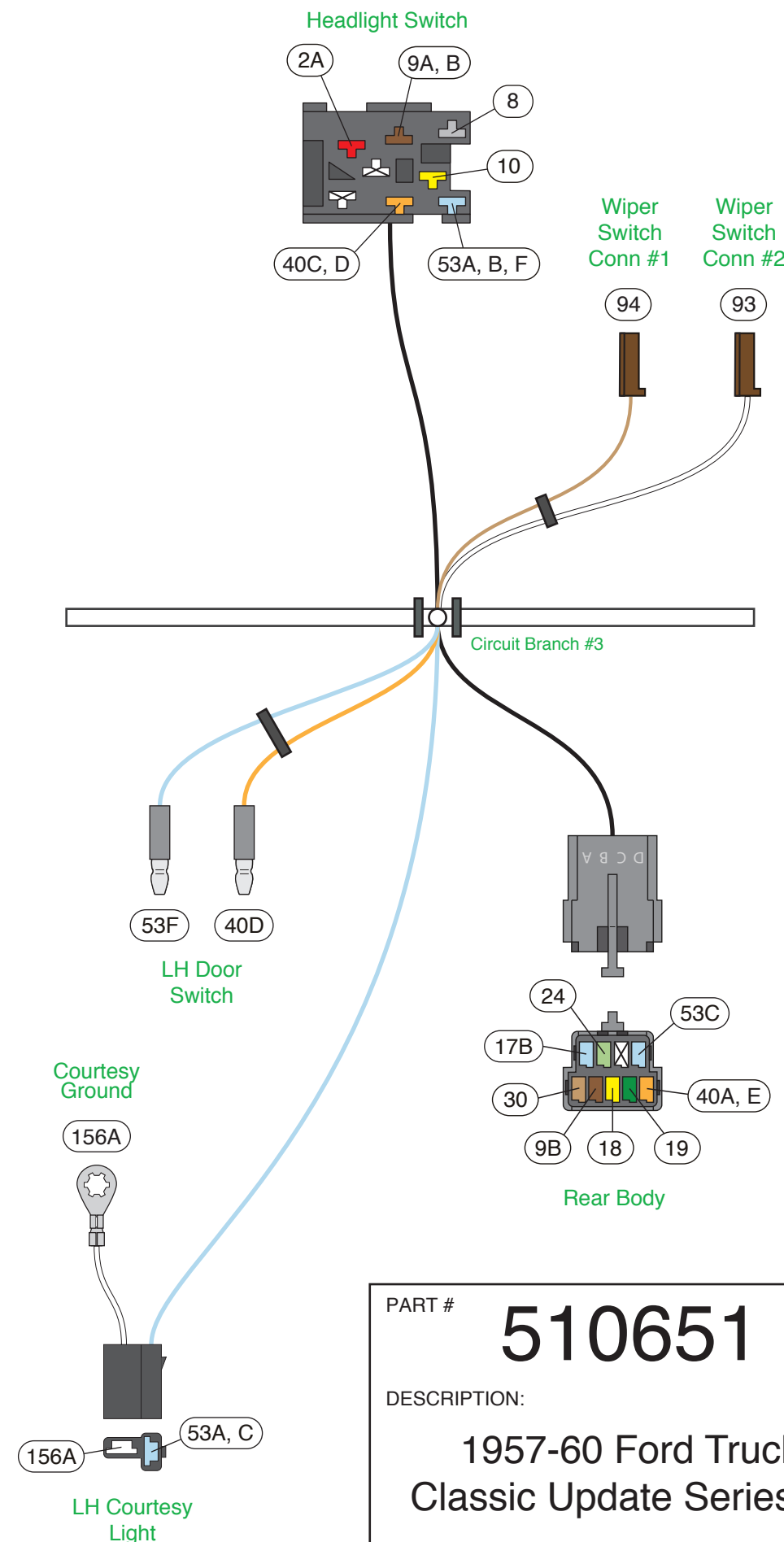
Attach the Jumper Harness "FF" to the LH lower Outboard IP. **NOTE: This Courtesy Light utilizes a #631 Bulb (which is not included in this kit).**

Wire #	Wire Color	Printing	Description
53A, C	Light Blue	12V CTSY SW	12V Switched feed to the LH Courtesy Light.
156A	White	CTSY GROUND	LH Courtesy Light ground. Attach this ring terminal to a good ground.

#### 6. Rear Body Connector

This 9-way connector will plug into the 9-way connector of the Rear Body Harness Kit **510654** (kit located in **Bag M**). Some of the Rear Body Harness Kit wires will route through Grommet "F", and then down the Firewall and to the rear of the vehicle along the LH Frame Rail. See the Rear Body Harness Kit for more details.

Wire #	Wire Color	Printing	Description
9B	Brown	REAR RUNNING LIGHTS	Feed for the License Light and the Rear Running Lights.
17B	Light Blue	THIRD BRAKE LIGHT	Feed for an aftermarket Third Brake Light.
18	Yellow	LEFT REAR TURN	Feed to the Left Rear Stop and Turn Light.
19	Dark Green	RIGHT REAR TURN	Feed to the Right Rear Stop and Turn Light.
24	Light Green	BACK UP LT SW ® LIGHTS	Feed from the Backup Light Switch to the Backup Lights if so equipped.
30	Tan	GAS GAUGE	Fuel Tank Sender.
40A, E	Orange	12V BATTERY-FUSED	12V Fused Battery feed for Aftermarket LED Tail Lights.
53C	Light Blue	12V CTSY SW	12V Switched feed for the Dome Light and any Interior Courtesy Lights.



PART # **510651**

DESCRIPTION:  
**1957-60 Ford Truck  
Classic Update Series Kit**

92971606 Rev. 1.0 6/14/2017

**Circuit Branch #4 – Under Dash Connections**

**Instrument Cluster Connections**

These connectors will plug to the connectors of the Gauge Cluster Kit **510653** (located in **Bag H**).

**1. Cluster Connector “A”**

Wire #	Wire Color	Printing	Description
4C	Brown	ALTERNATOR IGN	12V Ignition Accessory feed.
8, 8A	Gray	DASH LIGHTS	Headlight feed for the Cluster Illumination Lights.
39B, C	Pink	12V IGNITION	12V Fused Ignition feed.
150	Black	GROUND	Cluster ground.

**2. Cluster Connector “B”**

Wire #	Wire Color	Printing	Description
11B	Light Green	HI BEAM INDICATOR LIGHT	Feed to the High Beam Indicator Light.
14B	Light Blue	LEFT DASH IND	Feed for the Left Turn Signal Indicator Light.
15B	Dark Blue	RIGHT DASH IND	Feed for the Right Turn Signal Indicator Light.
30	Tan	GAS GAUGE	Fuel Gauge Signal from the Fuel Tank Sending Unit.
31	Dark Blue	OIL PRESSURE SENDER	Oil Pressure Sender Signal from the Engine.
33	Tan	BRAKE LIGHT/SWITCH	Brake Warning Light Signal to ground.
35	Dark Green	WATER TEMP SENDER	Water Temperature Sender Signal from the Engine.
121	White	COIL-->TACH	Tachometer feed to the Ignition Coil.

**3. Cluster Connector “C”**

This connector contains the wires for an Aftermarket Electric Speedometer. **NOTE: Wires “400” and “401” must remain twisted together.**

Wire #	Wire Color	Printing	Description
139	Pink/White	SPEEDO POWER	Fused 12V Ignition feed for the Electric Speedometer.
151	Black/White	SPEEDO GROUND	Electric Speedometer Ground.
400	Yellow	VSS GROUND	Vehicle Speed Sensor Ground.
401	Purple	VSS SIGNAL	Vehicle Speed Sensor Signal.
402	Purple/White	VSS POWER	Vehicle Speed Sensor Power.

**Ignition Switch Connectors**

**4. Ignition Switch Connections**

Attach each of the ring terminals to the appropriate stud on the **Ignition Switch Assembly 510655** as noted below.

Wire #	Wire Color	Printing	Description
2D	Red	12V BATTERY	12V Battery feed. Attach to the “BAT” stud of the Ignition Switch.
3B	Pink	IGNITION FEED	12V Ignition feed from the Ignition Switch. Attach to the “IGN” stud of the Ignition Switch.
4A	Brown	IGNITION SW ACCY	12V Accessory feed from the Ignition Switch. Attach to the “ACC” stud on the Ignition Switch.
4C	Brown	ALTERNATOR IGN	Same as 4A.
5	Purple	NEUTRAL SAFETY SWITCH	Start feed to the Neutral Safety Switch or to the purple Starter Solenoid wire (circuit 6). Attach to the “ST” stud of the Ignition Switch.

**Note: Your Ignition Switch Assembly does not include a Bezel and you will have to use your original or purchase one from an Aftermarket Supplier.**

**5. Cigarette Lighter Connector**

Connect the Cigar Lighter female bullet connector to the Cigar Lighter.

Wire #	Wire Color	Printing	Description
40	Orange	12V BATTERY-FUSED	Fused 12V Battery feed to the Cigar Lighter.

**6. Dash Light Candelabra**

This 3-way female bullet connector provides a connection point for any Illumination Light feed that may be required, such as to the Radio, the Ash Tray Light, the Clock, the Heater Switch or any Aftermarket Gauges. This is the same circuit as the Instrument Cluster Illumination Lights and will dim when the Headlight Dimmer Switch Knob is rotated clockwise. Extra wire length of the gray “DASH LIGHTS” wire (circuit 8) is available in the Cluster Kit **510653** in **Bag H**. Also, large male bullet terminals “A” and large sleeves “D” (to plug into the Candelabra Connector) are available for this application.

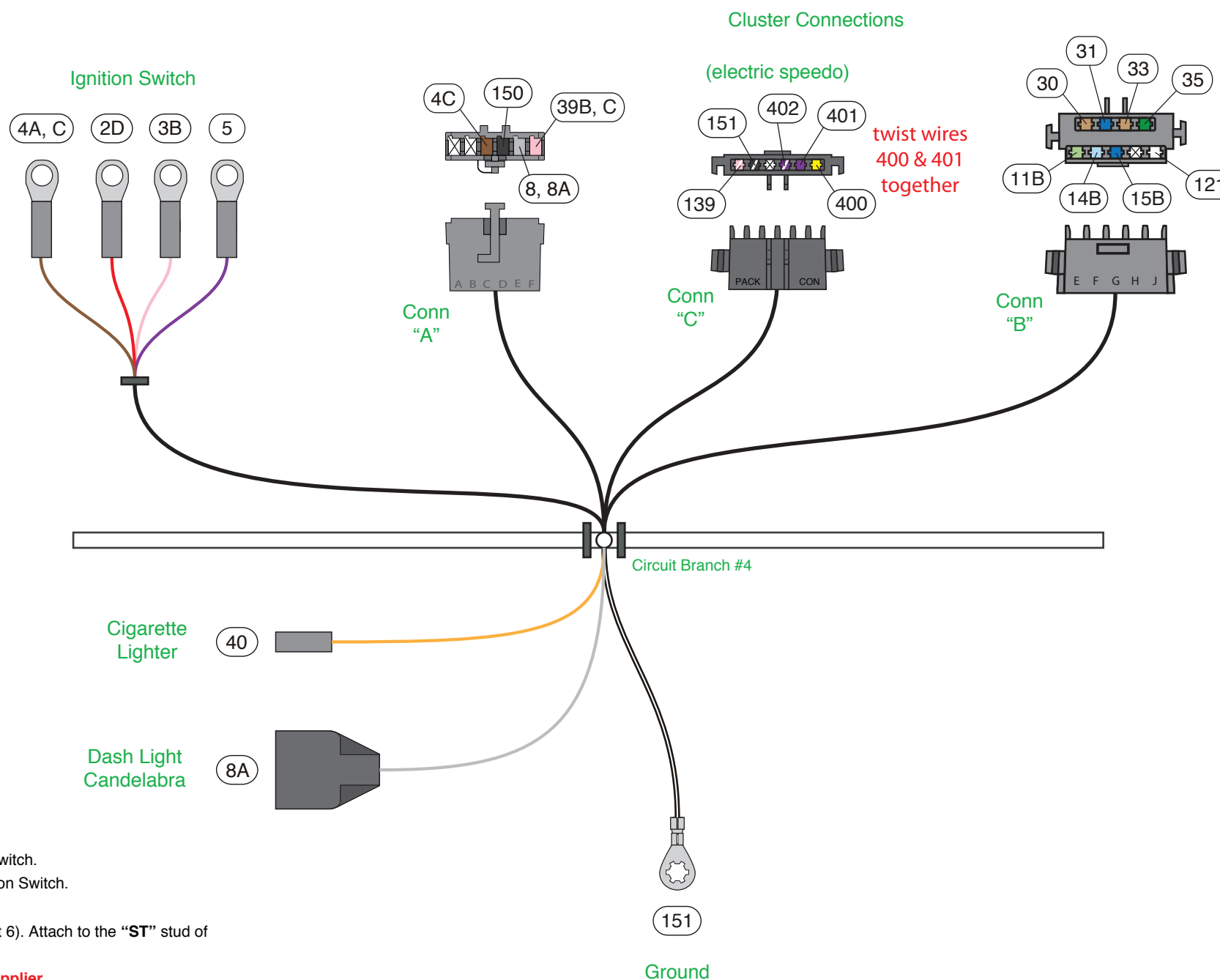
Wire #	Wire Color	Printing	Description
8A	Gray	DASH LIGHTS	Dash Lights feed wire.

**7. Aftermarket Electric Speedo Ground**

Attach this wire to a good body ground.

**Note: Do not attach this ground wire (circuit 151) with the ground wire (circuit 150) in Circuit Branch #1, they should remain separated.**

Wire #	Wire Color	Printing	Description
151	Black/White	SPEEDO GROUND	Ground for an Aftermarket Electric Speedometer.



www.americanautowire.com 856-933-0801

PART # **510651**

DESCRIPTION:  
**1957-60 Ford Truck  
 Classic Update Series Kit**

92971606 Rev. 1.0 6/14/2017

**Circuit Branch #5 – Under Dash Connections**

**The Backup and Neutral Safety Switch Wires**

**NOTE: These wires are coiled up.**

For both a Manual transmission and an Automatic Transmission, route the light green Backup Light/Switch wire (circuit 24) and the pink 12 Volt Ignition wire (circuit 39C) to the Backup Light Switch and connect. Polarity doesn't matter.

If you have a Manual Transmission, you will need to connect the purple Neutral Safety Switch wire (circuit 5) and the purple Starter Solenoid wire (circuit 6) together.

If you have an Automatic Transmission, route the purple Neutral Safety Switch wire (circuit 5) and the purple Starter Solenoid wire (circuit 6) to the Neutral Safety Switch and connect. A typical connection for the Neutral Safety/Backup Switch can be found on **page 17 Figure "D"**.

**NOTE: If circuit 5 and circuit 6 are not connected, your Starter Solenoid will not engage, and your Engine will not crank.**

**1. Backup and Neutral Safety Switch Connections**

Wire #	Wire Color	Printing	Description
5	Purple	NEUTRAL SAFETY SWITCH	Start feed from the Ignition Switch to the Neutral Safety switch or to circuit 6.
6	Purple	STARTER SOLENOID-S	Start circuit from the Neutral Safety Switch or circuit 5 to the Starter Solenoid.
24	Light Green	BACK UP LT SW->LIGHTS	Feed from the Backup Light Switch to the Backup Lights.
39C	Pink	12V IGNITION	12V feed to the Backup Light Switch.

**Turn Signal Switch Preparation**

For all of the vehicles, the Turn Signal Switch is mounted to the Steering Column. You can continue to use this original Turn Signal Switch or you can replace it with an Aftermarket Turn Signal Switch.

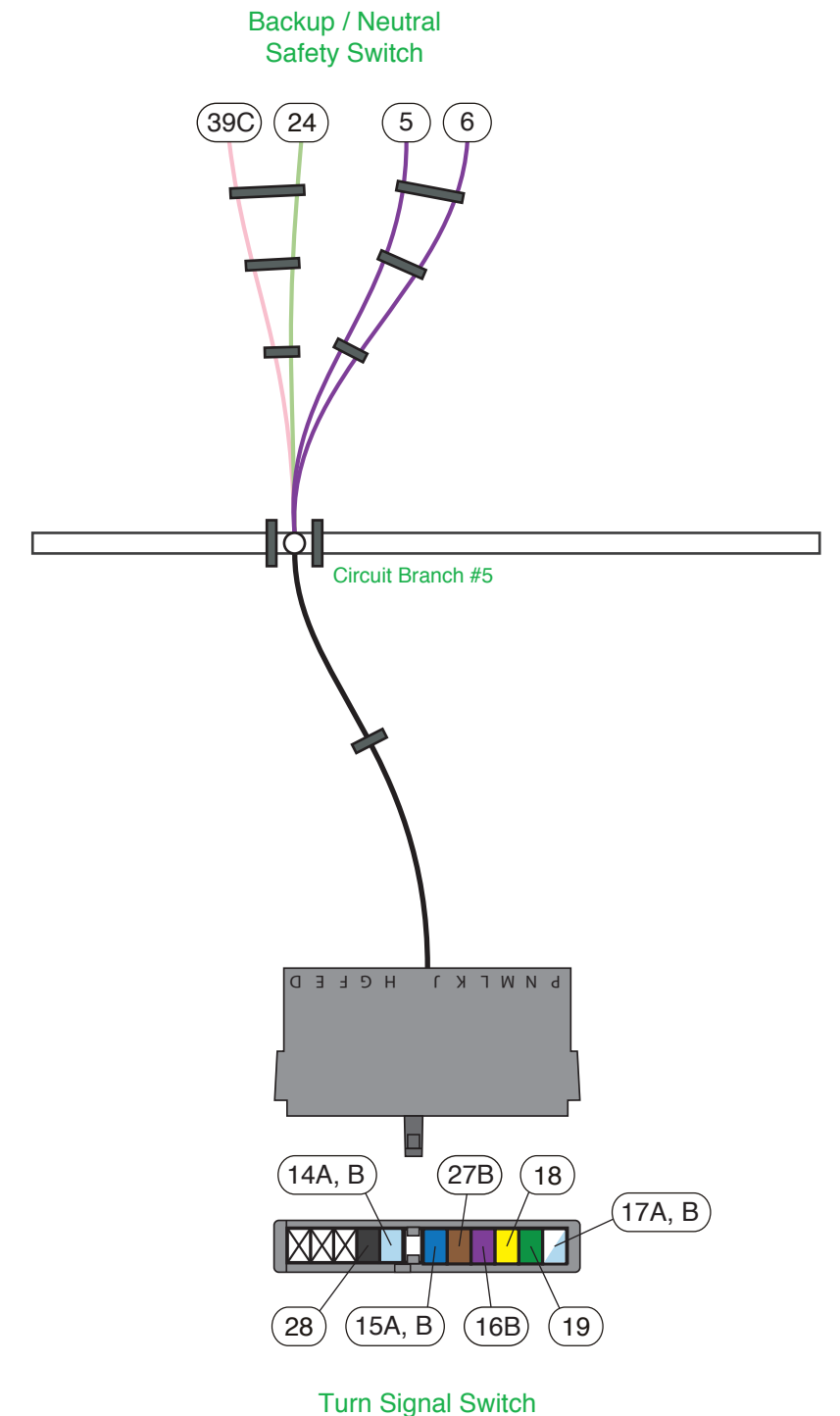
If you are using the original Turn Signal Switch (or an Aftermarket Turn Signal Switch) you will have to remove the original connector (and terminals) and replace them with the 14-way connector "BBB", and terminals "AAA" (see Dash Harness Loose Piece Kit 92971642 for parts). Cut the original connector from the pigtail as close as possible to the original connector allowing maximum wire length, crimp on terminals "AAA" and plug into connector "BBB" (see **Diagram 'A'** and **"Table A"** on **page 14** for wire location and functional description of the circuits).

If you are using an Aftermarket Steering Column it may have the proper 14-way Pack con connector already attached to the Turn Signal Switch Pigtail. If so, you can plug the Dash Harness 11-way connector directly into the Turn Signal Switch. If not, then add terminals "AAA" and connector "BBB" to the Turn Signal Switch.

**2. Turn Signal Switch Connector**

Once you have modified the Turn Signal Switch Pigtail by adding the black 14-way male connector, plug the 11-way Turn Signal Switch Connector, which is part of the Dash Harness, to the 14-way connector of the Turn Signal Switch.

Wire #	Wire Color	Printing	Description
14A,	Light Blue	LEFT FRONT TURN	Left Front Turn Signal feed.
14B	Light Blue	LEFT DASH IND	Feed to the LH Turn Signal Indicator.
15A,	Dark Blue	RIGHT FRONT TURN	Right Front Turn Signal feed.
15B	Dark Blue	RIGHT DASH IND	Feed to the RH Turn Signal Indicator.
16B	Purple	TURN SWITCH FEED	Turn Signal Switch feed from the Turn Signal Flasher.
17A	White	BRAKE SW	Brake Switch feed to the Turn Signal Switch.
17B	Light Blue	THIRD BRAKE LIGHT	Feed to the Third Brake Light.
18	Yellow	LEFT REAR TURN	Feed to the Left Rear Turn Signal Light.
19	Dark Green	RIGHT REAR TURN	Feed to the Right Rear Turn Signal Light.
27B	Brown	TURN SW – HAZARD	Feed from the Hazard Flasher.
28	Black	HORN RELAY GROUND	Ground from the Horn Relay to the Horn Switch.



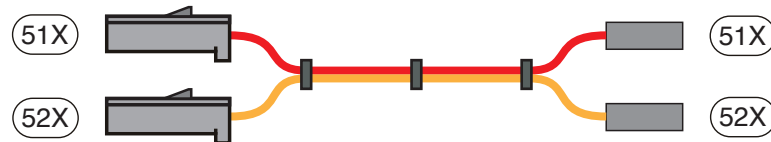
www.americanautowire.com 856-933-0801

PART # **510651**

DESCRIPTION:  
**1957-60 Ford Truck  
 Classic Update Series Kit**

92971606 Rev. 1.0 6/14/2017





“GG” Heater Switch to Blower Motor, Standard Heater

**Circuit Branch #6 – Under Dash Connections**

Heater Systems (see Figures “E” and “F” on page 17)

This kit provides wiring for two different Heater Systems (Standard and Deluxe).

**Heater Switch Feed Wire**

The same Heater Switch is used for both systems. The terminals on the Heater Switch are identified as **B** = 12V feed, **H** = High Speed, and **L** = Low Speed. Connect the brown wire (circuit 50) from the Dash Harness to the **B** terminal of your Heater Switch.

Wire #	Wire Color	Printing	Description
50	Brown	HEATER/AC FEED	12V fused B+ feed from the Fuse Block.

**1. The Standard Heater System (see Figure “E”)**

Connect the **Heater Switch to Blower Motor, Standard Heater “GG”** Jumper Harness, to the Heater Switch and to the Blower Motor as shown in **Figure “E” on page 17.**

Wire #	Wire Color	Printing	Description
51X	Red	no printing	Heater Switch to Blower Motor Low Speed.
52X	Orange	no printing	Heater Switch to Blower Motor High Speed.

**2. The Deluxe Heater System (see Figure “F”)**

Connect the **Heater Switch to Blower Motor, Deluxe Heater “JJ”** Jumper Harness to the Heater Switch, the Blower Motor Resistor, and to the Blower Motor as shown in **Figure “F” on page 17.**

Wire #	Wire Color	Printing	Description
51Y	Red	no printing	Heater Switch Low Speed to Blower Motor Resistor.
52Y	Orange	no printing	Heater Switch High Speed to Blower Motor Resistor.
52Z	Orange	no printing	Voltage feed from Blower Motor Resistor to Blower Motor.

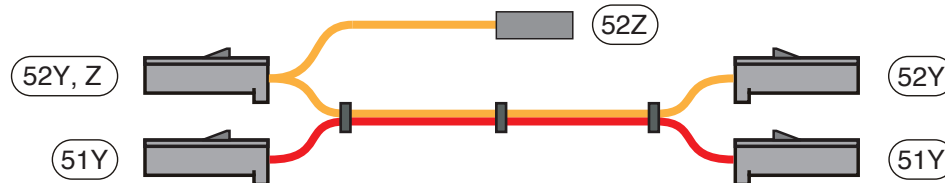
**NOTE:** Terminals H and M, and sleeves J, have been provided if you need to replace the original terminals on the Blower Motor pigtail wires. Make sure the black wire from your Blower Motor is connected to a good vehicle ground.

**Circuit Branch #7 – Under Dash Connections**

**1. Radio/Clock Wires**

These wires are provided for your Radio/Clock.

Wire #	Wire Color	Printing	Description
43	Tan	RADIO	12V Fused Accessory Feed to the Radio for “On/Off” power.
99	Yellow	CLOCK BAT	12V Fused Battery Feed for a Clock or for Radio Memory.



“JJ” Heater Switch to Blower Motor, Deluxe Heater

**Circuit Branch #8 – Under Dash Connections**

**1. Glove Compartment Light Connector**

Plug the orange female bullet Glove Box Light connector to the Glove Box Switch/Light Pigtail.

Wire #	Wire Color	Printing	Description
40E, F	Orange	12V BATTERY – FUSED	12V Battery feed to the Glove Compartment Light.

**2. Right Hand Courtesy Light**

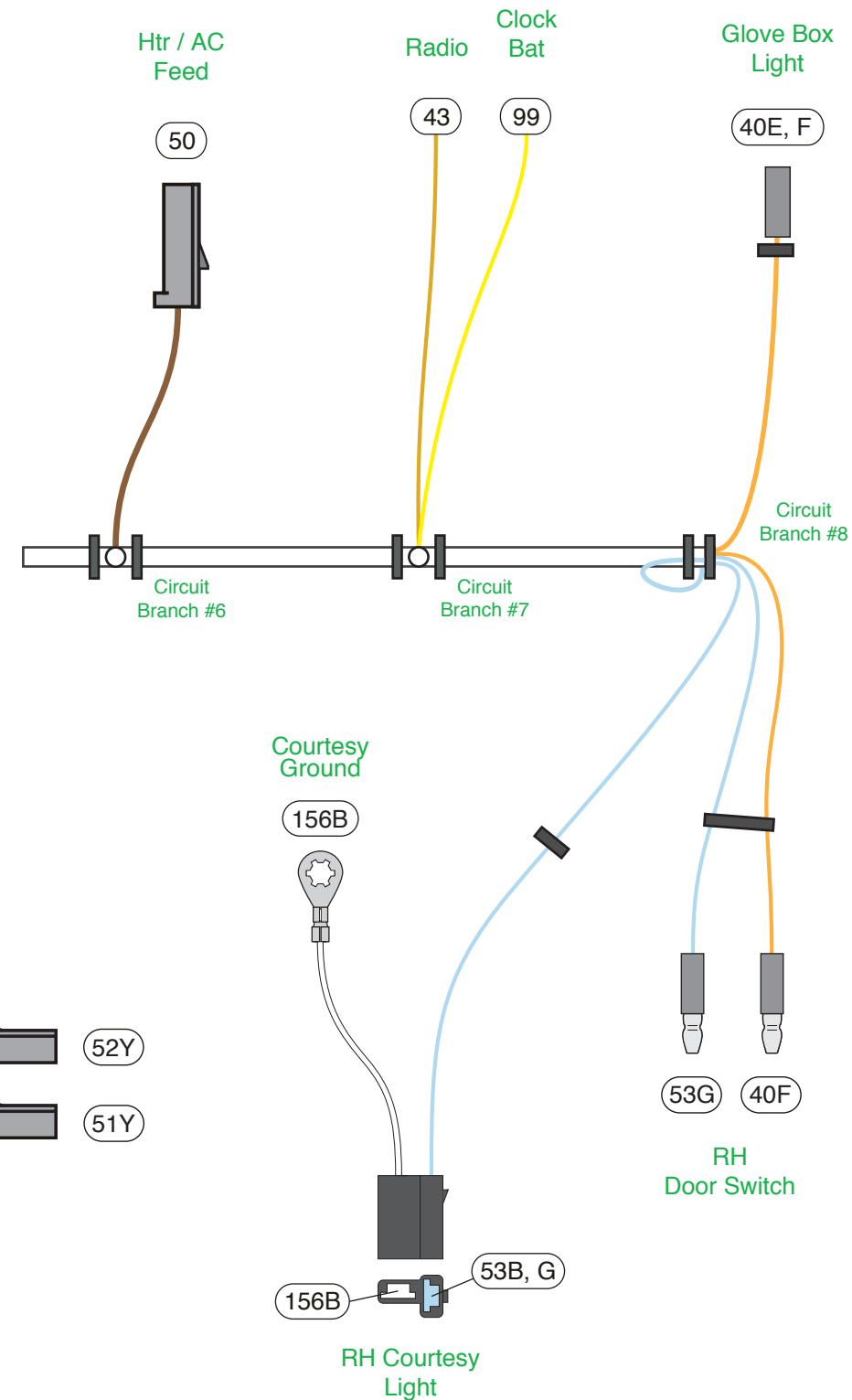
Plug the 2-way Right Hand Courtesy Light Connector, which is part of the Dash Harness, into one of the **Under Dash Courtesy Light Jumper Harnesses “FF”**. Attach the Jumper Harness “FF” to the RH lower Outboard IP. **NOTE: This Courtesy Light utilizes a #631 Bulb (which is not included in this kit).**

Wire #	Wire Color	Printing	Description
53B, G	Light Blue	12V CTSY SW	12V Switched feed to the RH Courtesy Light.
156B	White	CTSY GROUND	RH Courtesy Light ground. Attach this ring terminal to a good ground.

**3. Right Hand Door Jamb Switch Connectors**

Route the two male bullet connectors into the Side Cowl and through the Door Jamb Switch Hole (requires a .80” to .85” dia mounting hole, if not already present) and connect to the Door Jamb Switch “Y”. **Polarity does not matter.** You can now install the Door Jamb Switch. **Note: If you decide not to include a Door Jamb Switch, these two bullet terminals should be taped up separately and then taped back to the Dash Harness.**

Wire #	Wire Color	Printing	Description
40F	Orange	12V BATTERY-FUSED	12V fused Battery feed.
53G	Light Blue	12V CTSY SW	Feed to the RH Courtesy Light.



www.americanautowire.com 856-933-0801

PART # **510651**

DESCRIPTION:  
**1957-60 Ford Truck  
 Classic Update Series Kit**

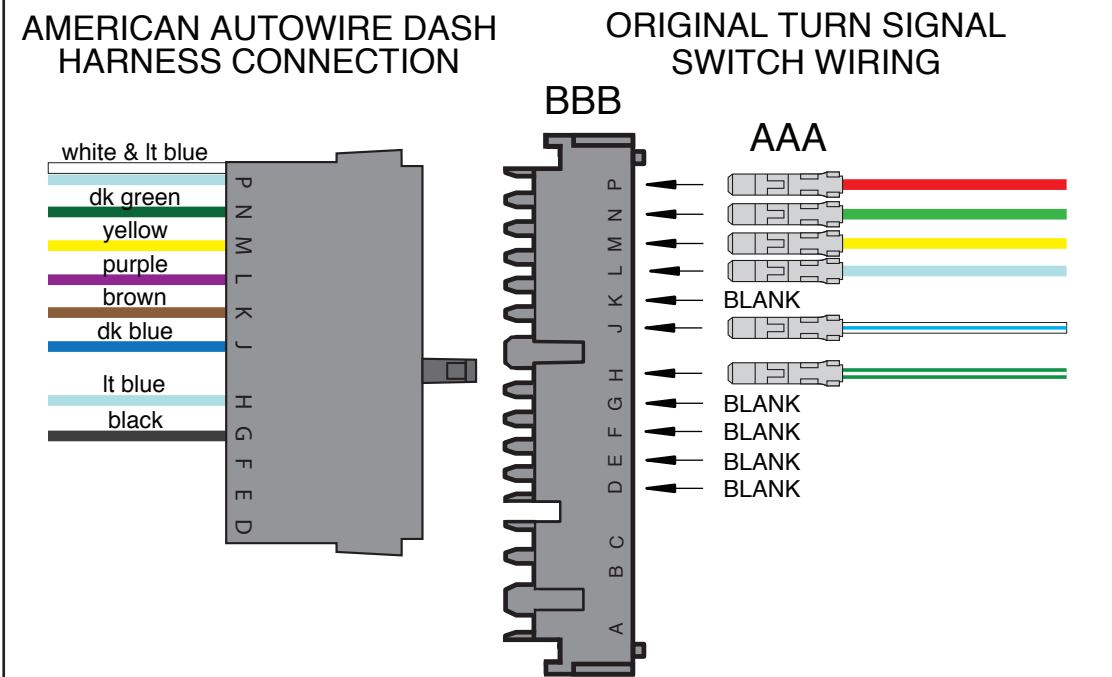
92971606 Rev. 1.0 6/14/2017

## “Table A”

AAW Turn Signal Switch wires to stock **1957-60** Ford Truck

AAW Wire #	AAW Wire Color	AAW Wire Printing	Connector Cavity	Ford Wire Color
17A,B	White & Light Blue	Brake SW & Third Brake Light	P	Red
19	Dark Green	Right Rear Turn	N	Green
18	Yellow	Left Rear Turn	M	Yellow
16B	Purple	Turn Switch Feed	L	Light Blue
27B	Brown	Turn SW - Hazard	K	None
15A,B	Dark Blue	Right Front Turn & Right Dash Indicator	J	White with Blue Stripe
14A,B	Light Blue	Left Front Turn & Left Dash Indicator	H	Green with White Stripe
28	Black	Horn Relay Ground	G	None
None	None	None	F	None
None	None	None	E	None
None	None	None	D	None

**NOTE:** For all of the vehicles, the Steering Column Horn Button switches ground for a Horn Relay, which then switches power to the Horns, similar to the AAW design. Wire 27B is being provided if an Emergency Warning Flasher System is to be added. Wire 28 is being provided if an aftermarket steering column has horn switch ground provisions in the steering column.



**DIAGRAM ‘A’ - AAW Turn Signal Switch Wires to Stock **1957-60** Steering Columns.**



Firewall grommet “F” and metal retainer (metal retainer is not included in this kit)

Photo is of a 1960 F-100 Custom Cab

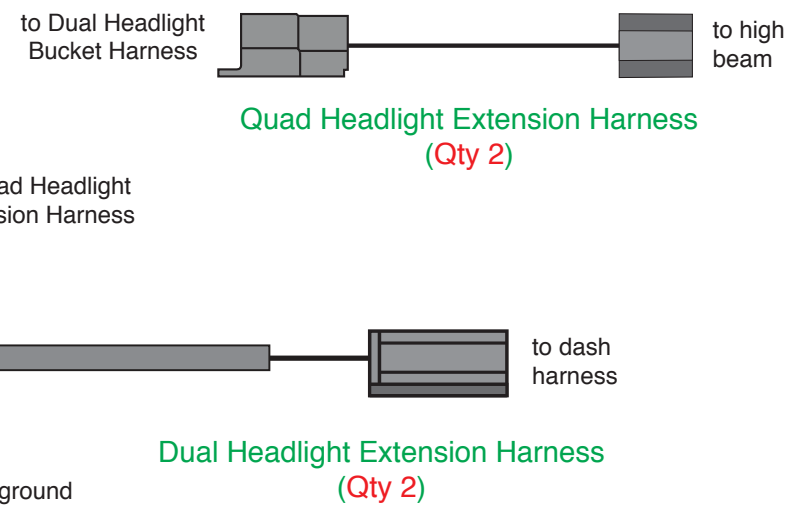
Figure “H”



www.americanautowire.com 856-933-0801

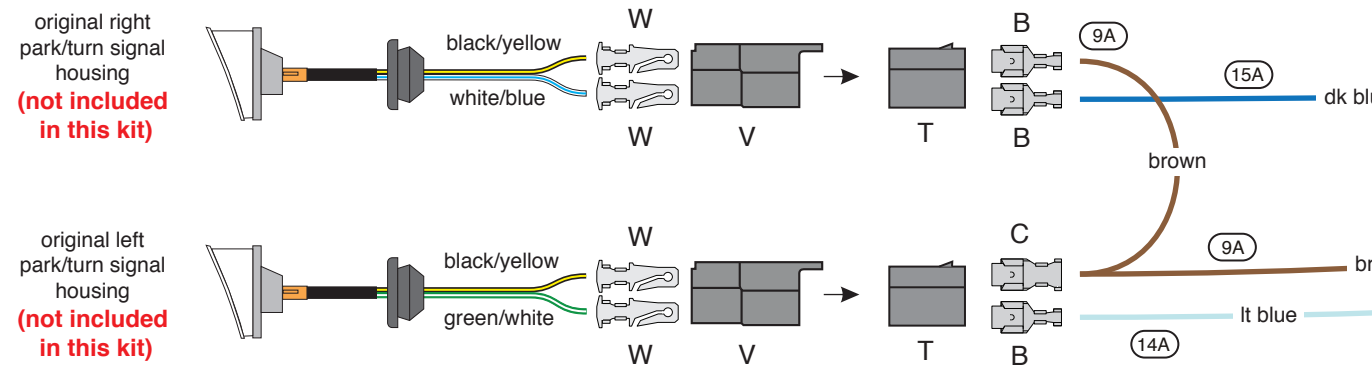
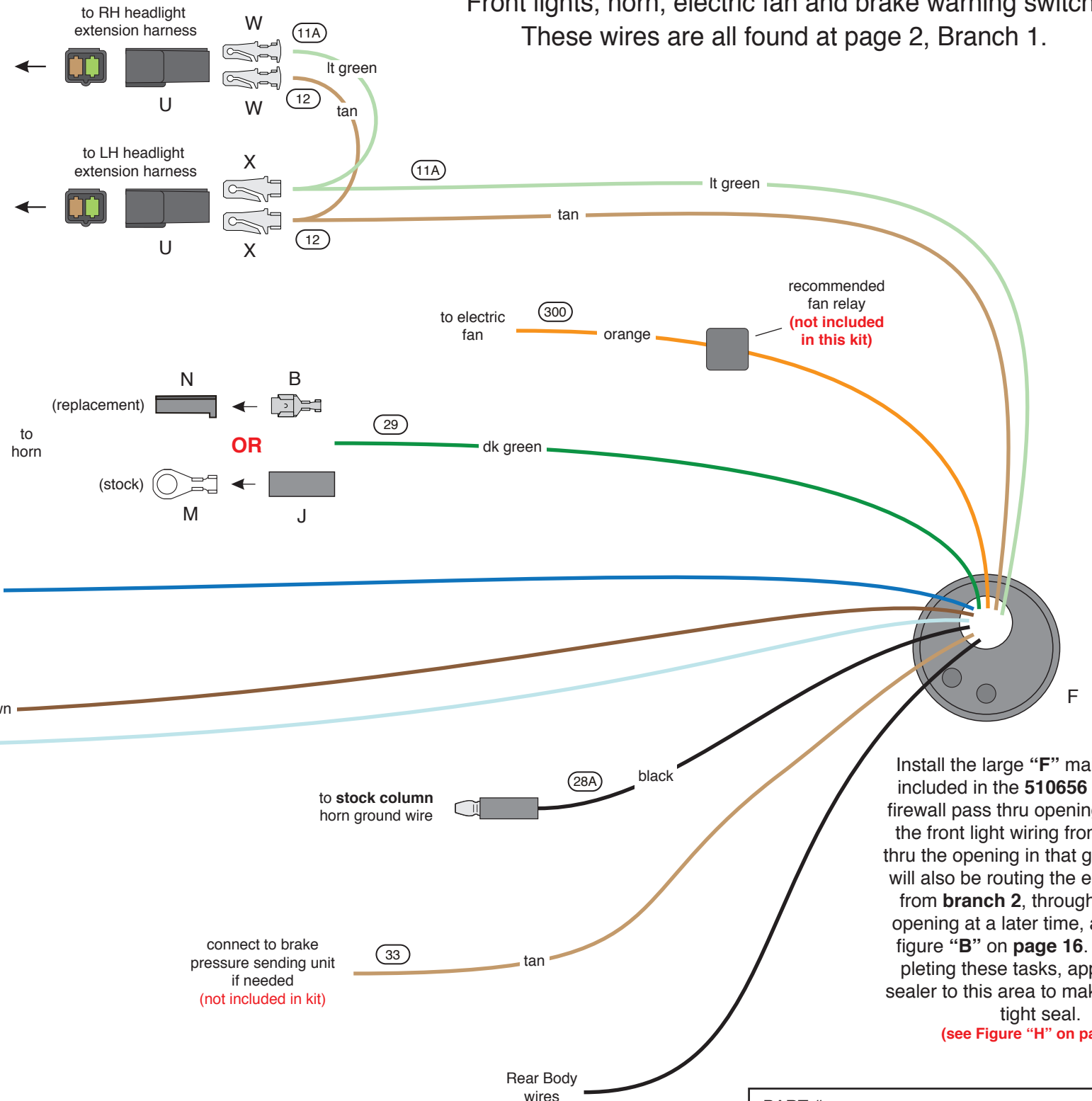
PART #	<b>510651</b>
DESCRIPTION:	1957-60 Ford Truck Classic Update Series Kit
92971606	Rev. 1.0 6/14/2017

# 510657 Headlight Extension Harnesses



**Figure "A"**

Front lights, horn, electric fan and brake warning switch. These wires are all found at page 2, Branch 1.



Install the large "F" main grommet included in the 510656 kit, into the firewall pass thru opening, then pass the front light wiring from **branch 1** thru the opening in that grommet. You will also be routing the engine wiring from **branch 2**, through this same opening at a later time, as shown in figure "B" on page 16. After completing these tasks, apply silicone sealer to this area to make a weather tight seal.  
*(see Figure "H" on page 14)*

**NOTE:** The terminals and connectors listed on this page and denoted with **UPPER CASE LETTERS**, to help you complete the various connections to your lights, horns, brake warning switch, and electric fan, can be found in your loose piece, clamp, grommet and parts kit, P/N 510656.

The identifications, colors, and functions, for all of the wires listed in Figure "A", on this page, can be found on page 2, branch 1, of this main instruction set.



PART # **510651**  
 DESCRIPTION:  
**1957-60 Ford Truck Classic Update Series Kit**  
 92971606 Rev. 1.0 6/14/2017

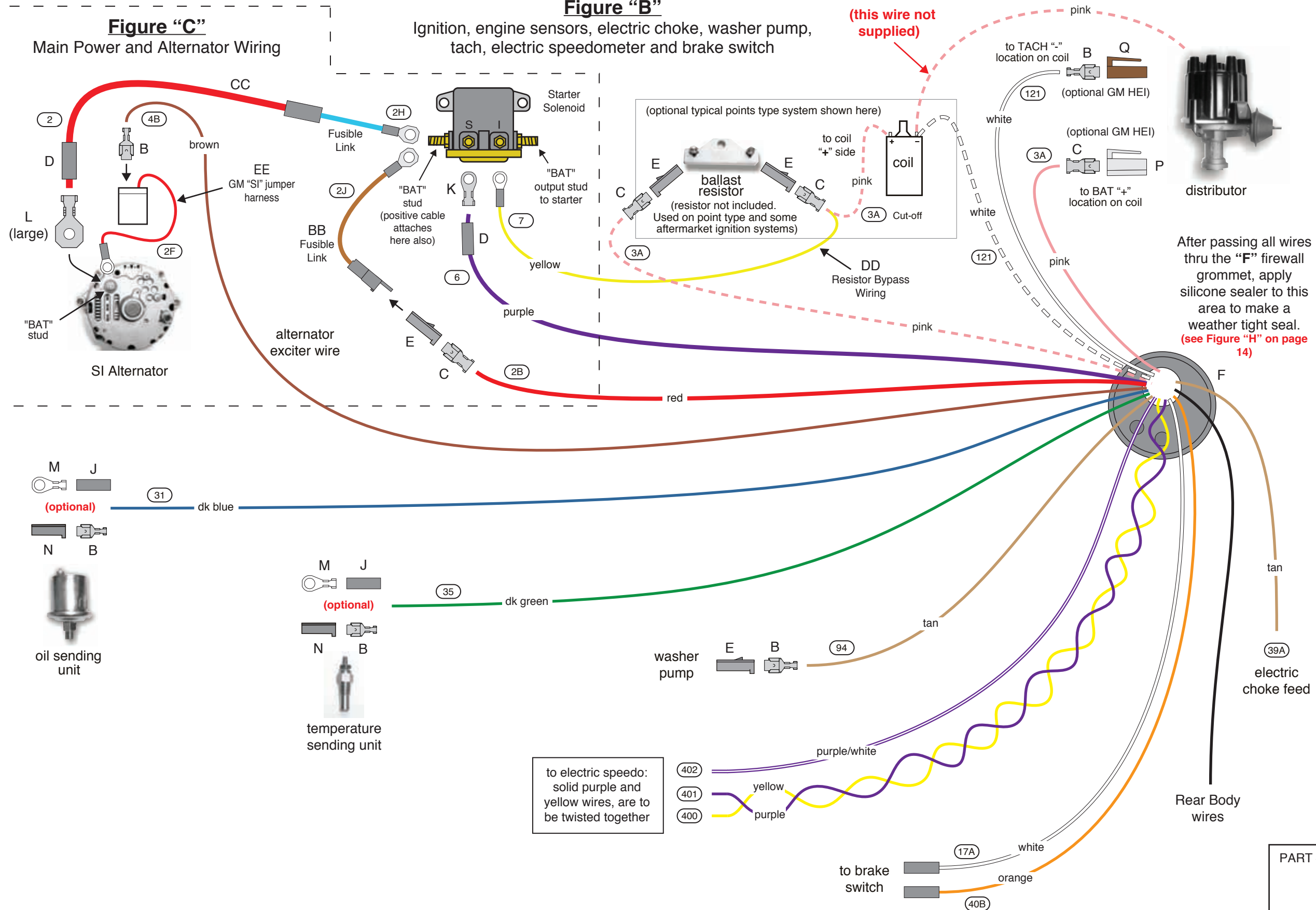


**Figure "B"**

Ignition, engine sensors, electric choke, washer pump, tach, electric speedometer and brake switch

**Figure "C"**

Main Power and Alternator Wiring



**NOTE:** The terminals and connectors listed on this page and denoted with **UPPER CASE LETTERS**, to help you complete the various connections to your ignition feed, engine sensors, electric choke, tachometer, washer pump, brake switch, electric speedometer, and alternator output, can be found in your loose piece, clamp, grommet and parts kit, P/N **510656**.

The identifications, colors, and functions, for all of the wires listed in Figure "B" and Figure "C", on this page, can be found on pages 7 and 8, branch 2, of this instruction set.

AAW kits are all engineered to be used in conjunction with a high output, later model internally regulated, or one wire alternators. We do not suggest or support the use of a stock, low amperage generator or alternator, as they do not supply sufficient current to recharge the battery in a highly modified truck such as this kit was designed for. AAW suggests a Ford Gen III (3G), a GM "SI", or a 1 wire type alternator as good choices to use. An adapter to complete the connection to the Ford Gen III (3G) style alternator (AAW p/n 500802) may be purchased separately. Contact AAW for your needs.

After passing all wires thru the "F" firewall grommet, apply silicone sealer to this area to make a weather tight seal. (see Figure "H" on page 14)

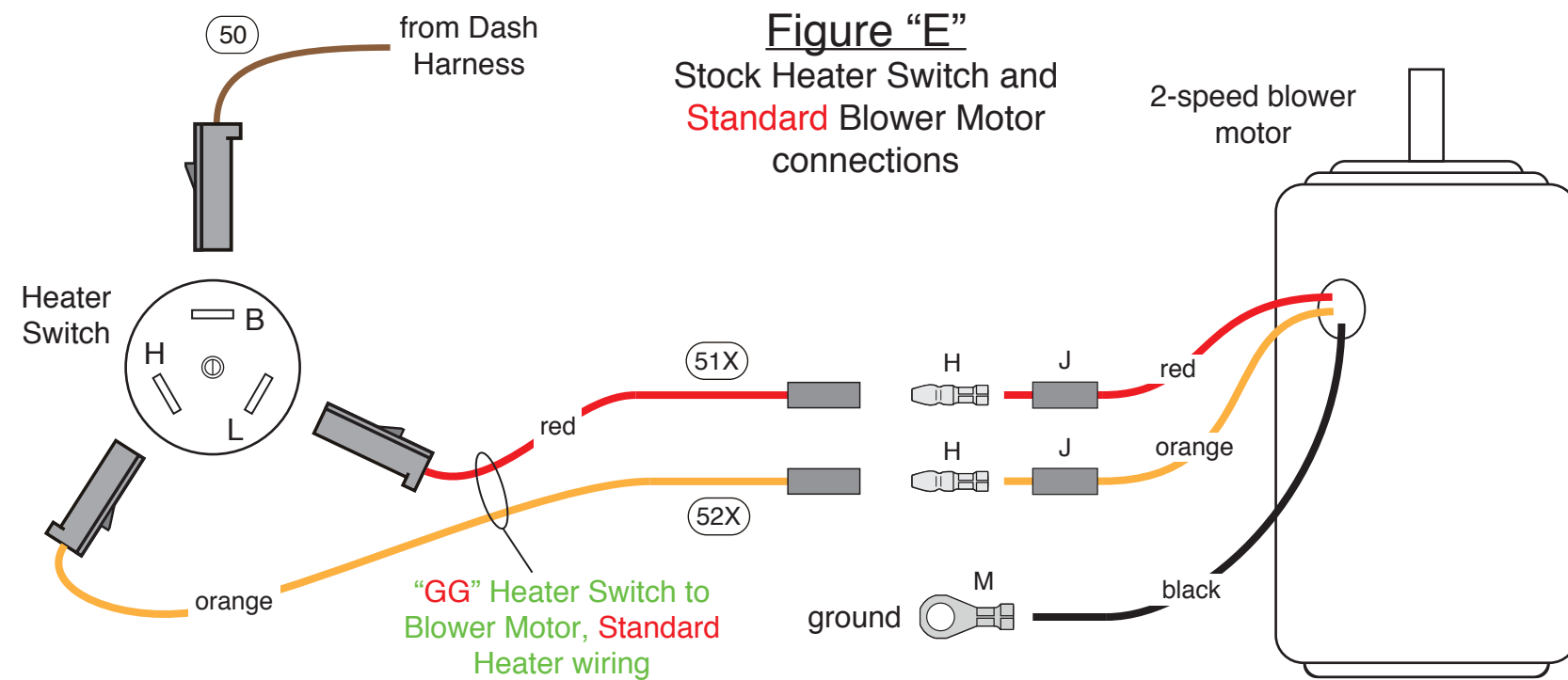
PART # **510651**

DESCRIPTION:  
**1957-60 Ford Truck  
 Classic Update Series Kit**

92971606 Rev. 1.0 6/14/2017

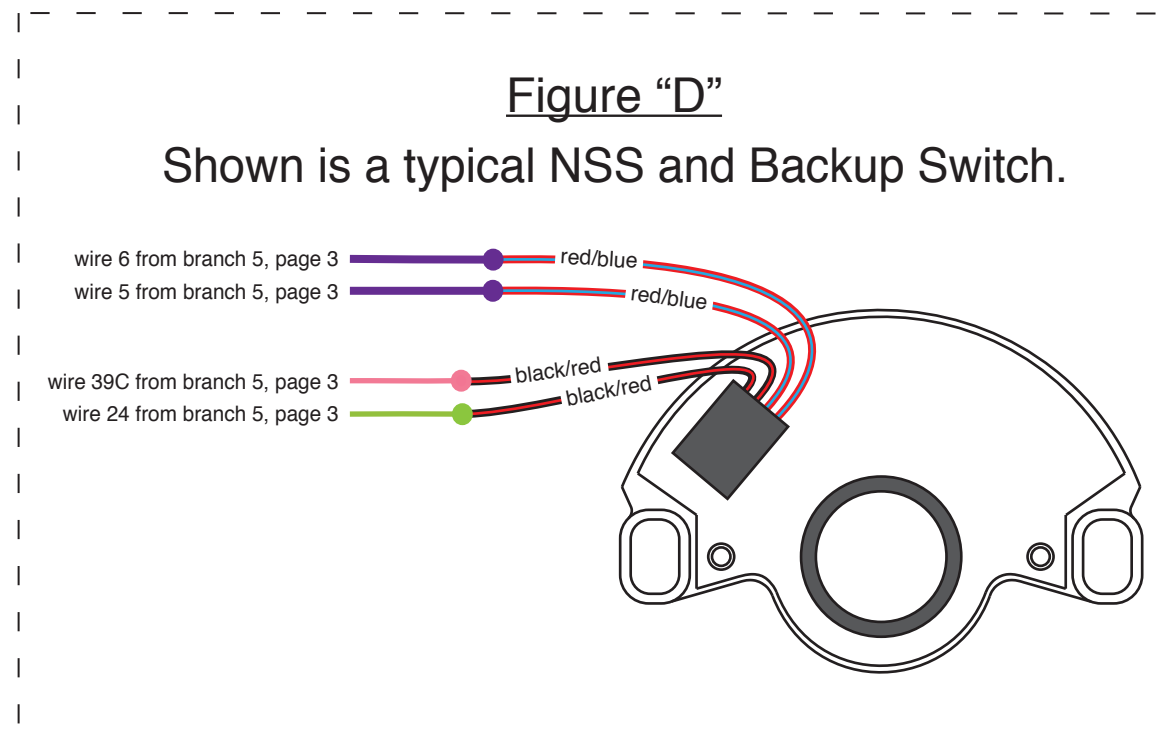






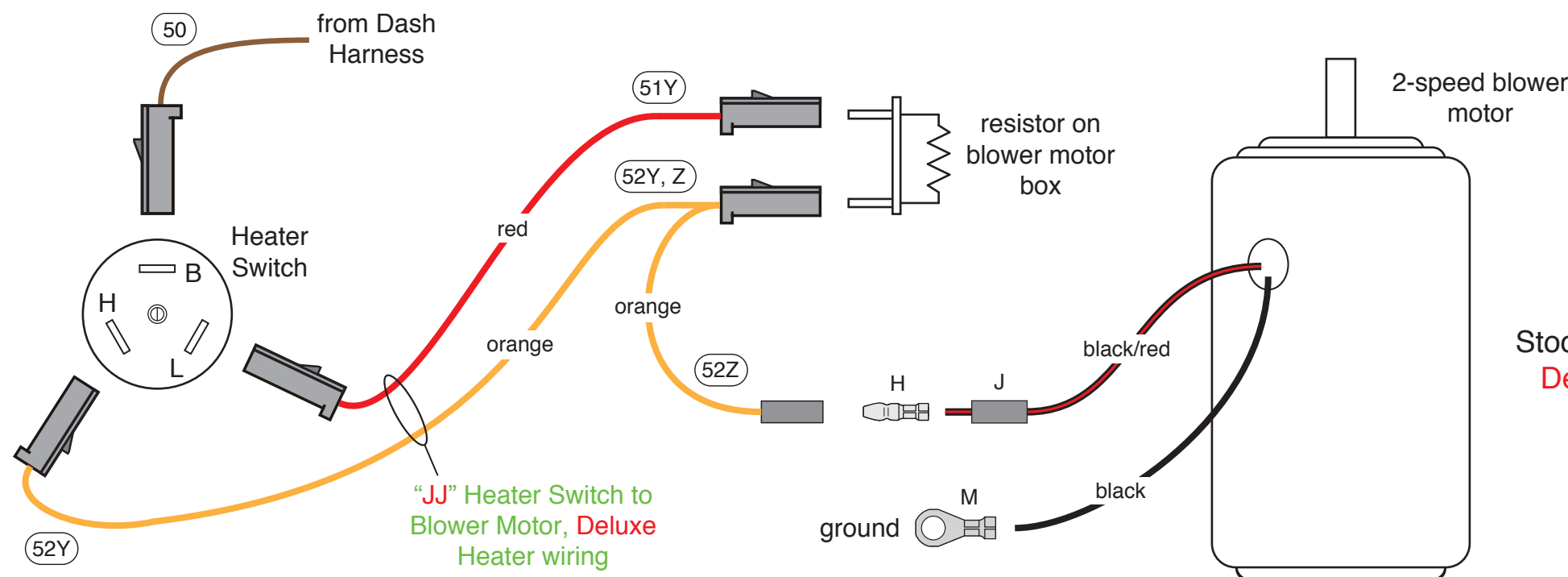
**Figure "E"**  
Stock Heater Switch and  
Standard Blower Motor  
connections

This AAW kit is engineered to work with most aftermarket manufacturer's heating and air conditioning systems. As such, we have provided a keyed 12-volt feed to use as the "OFF / ON" (AAW brown 50 wire) power source for whatever system you choose to purchase. The manufacturer will supply you with a harness for their system and instructions on how to connect it. In the event you are utilizing a stock heater system in your truck, we have also provided wires that will run from your heater switch to your heater motor. See Figure "E" above for complete installation instructions.



**Figure "D"**

Shown is a typical NSS and Backup Switch.



**Figure "F"**  
Stock Heater Switch and  
Deluxe Blower Motor  
connections

This AAW kit is engineered to work with most aftermarket manufacturer's heating and air conditioning systems. As such, we have provided a keyed 12-volt feed to use as the "OFF / ON" (AAW brown 50 wire) power source for whatever system you choose to purchase. The manufacturer will supply you with a harness for their system and instructions on how to connect it. In the event you are utilizing a stock heater system in your truck, we have also provided wires that will run from your heater switch to your heater motor. See Figure "F" above for complete installation instructions.



PART #	<b>510651</b>
DESCRIPTION:	<b>1957-60 Ford Truck Classic Update Series Kit</b>
92971606	Rev. 1.0 6/14/2017

## FUSE LOCATIONS

NOTE: This is an image of the completed Fuse Block assembly, depicting the proper location for the installation of each fuse.

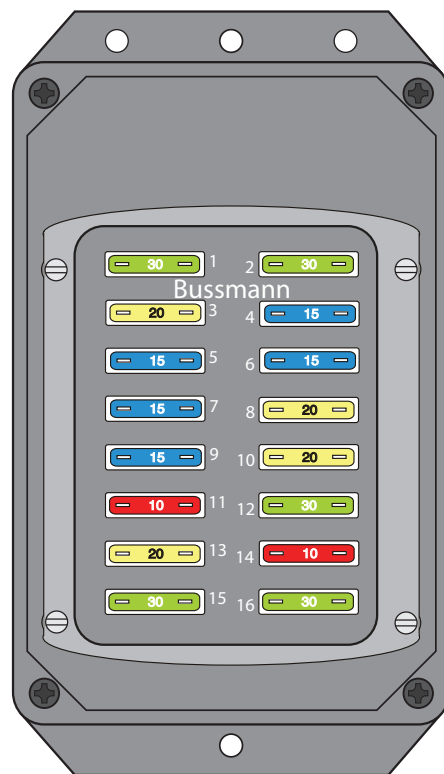
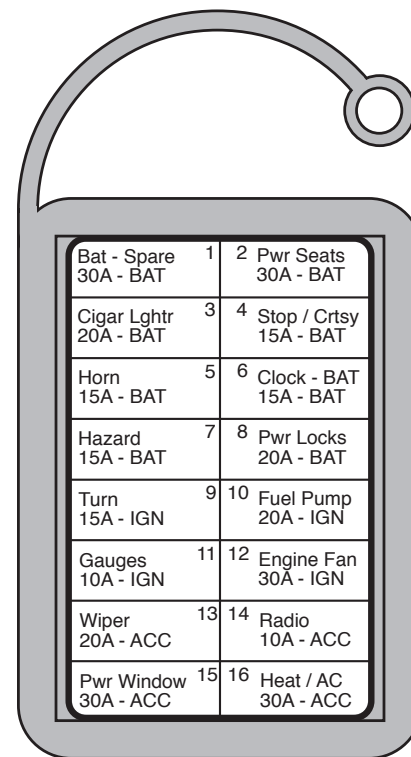


Figure G



Fuse label on inside of Fuse Block cover

## Fuse Block Label Definition

Fuse #	Wire #	Wire Color	Wire Printing	Fuse Block Cover Label	Fuse Rating	Description
1	107	Orange	12V BATTERY FUSED	Bat-Spare	30A	Battery feed for options.
2	104	Orange	POWER SEATS	Pwr Seats	30A	Battery feed for optional Power Seats.
3	40	Orange	12V BATTERY FUSED	Cigar Lghtr	20A	Battery feed for the Cigarette Lighter.
4	40A	Orange	12V BATTERY FUSED	Stop / Crtsy	15A	Battery feed for Brake Lights, Dash Lights, Courtesy Lights and Dome Light, to Rear Body Harness for B+ options and the Glove Box Light.
	40B		BRAKE SW			
	40C		12V BATTERY FUSED			
5	2C	Red	no printing	Horn	15A	Battery feed for Horns.
6	99	Yellow	CLOCK BAT	Clock - Bat	15A	Battery feed for a Clock or a Radio.
7	27A	Brown	TURN SW-HAZARD	Hazard	15A	Battery feed for optional Hazard Lights, or for an optional Audio System.
	100	Orange	no printing			
8	105	Red	POWER LOCKS	Pwr Locks	20A	Battery feed for optional Power Locks.
9	16A	Purple	TURN SWITCH FEED	Turn	15A	Ignition feed for the Turn Signals.
10	103	Tan	FUEL PUMP	Fuel Pump	20A	Ignition feed for an optional Electric Fuel Pump or an optional Electric Speedometer System.
	139	Pk/W	SPEEDO POWER			
11	39A	Tan	ELECTRIC CHOKE	Gauges	10A	Ignition feed for an optional Electric Choke, Warning Lights, optional Gauges or Backup Lights.
	39B	Pink	12V IGNITION			
12	300	Orange	ELECTRIC FAN	Engine Fan	30A	Ignition feed for an optional Electric Fan System (trigger for optional fan relay).
13	93	White	WIPER FEED	Wiper	20A	Accessory feed for the wipers.
14	43	Tan	RADIO	Radio	10A	Accessory feed for the Radio.
15	106	Pink	POWER WINDOWS	Pwr Window	30A	Accessory feed for optional Power Windows.
16	50	Brown	HEATER/AC FEED	Heat / AC	30A	Accessory feed for the Heater System.



www.americanautowire.com 856-933-0801

PART #

**510651**

DESCRIPTION:

**1957-60 Ford Truck  
Classic Update Series Kit**

92971606 Rev. 1.0 6/14/2017